



US00D693646S

(12) **United States Design Patent**
Katterheinrich et al.

(10) **Patent No.:** **US D693,646 S**
(45) **Date of Patent:** **** Nov. 19, 2013**

(54) **PLATE**
(71) Applicant: **Target Brands, Inc.**, Minneapolis, MN (US)
(72) Inventors: **Kent D. Katterheinrich**, Shoreview, MN (US); **William Peterson**, Minneapolis, MN (US)
(73) Assignee: **Target Brands, Inc.**, Minneapolis, MN (US)

D376,953 S * 12/1996 Dunn D7/549
D434,605 S 12/2000 Littlejohn et al.
D473,427 S 4/2003 Kleckauskas et al.
D494,012 S 8/2004 Bandy-Helderman
D496,829 S * 10/2004 Guzzini D7/555
D541,589 S 5/2007 Littlejohn et al.
D568,110 S 5/2008 Epstein
D574,187 S * 8/2008 Jarratt D7/504
D584,108 S * 1/2009 Olsson D7/553.1
D586,623 S * 2/2009 Dunn D7/541

(**) Term: **14 Years**

(21) Appl. No.: **29/447,468**

(22) Filed: **Mar. 4, 2013**

(51) **LOC (9) Cl.** **07-01**

(52) **U.S. Cl.**
USPC **D7/555**

(58) **Field of Classification Search**
USPC D7/555, 584, 557, 553.8, 558, 601, 602, D7/543, 545, 357, 354, 503, 587, 588, 500, D7/396.4, 505, 704, 360, 361, 552.1, 586, D7/562, 560, 566, 504, 565, 553.1, 553.7, D7/549; D9/424, 759, 432, 744, 643, 707; 219/735, 732; 426/243; 220/574, 751, 220/23.4; D1/122; D30/130; 215/382, 400; 206/217

See application file for complete search history.

(56) **References Cited**

U.S. PATENT DOCUMENTS

2,677,350 A * 5/1954 Prestidge et al. 119/61.53
D199,194 S * 9/1964 Patton, Jr. D7/555
D232,294 S 8/1974 Christian et al.
D291,042 S * 7/1987 Fahey et al. D7/555
D339,030 S 9/1993 Bitel, Sr.
D351,316 S 10/1994 Mann
D363,645 S 10/1995 Smith
D375,438 S 11/1996 Smith

OTHER PUBLICATIONS

“Little Husks Dinner Plate”, printed from www.simplygoodstuff.com/littlehusks_dinnerplate.html on Nov. 11, 2012 (3 pages).
“Oval Divided Dish”, printed from www.temptationgifts.com/the-very-hungry-caterpillar-oval-divided-dish.html on Nov. 14, 2012 (1 page).

(Continued)

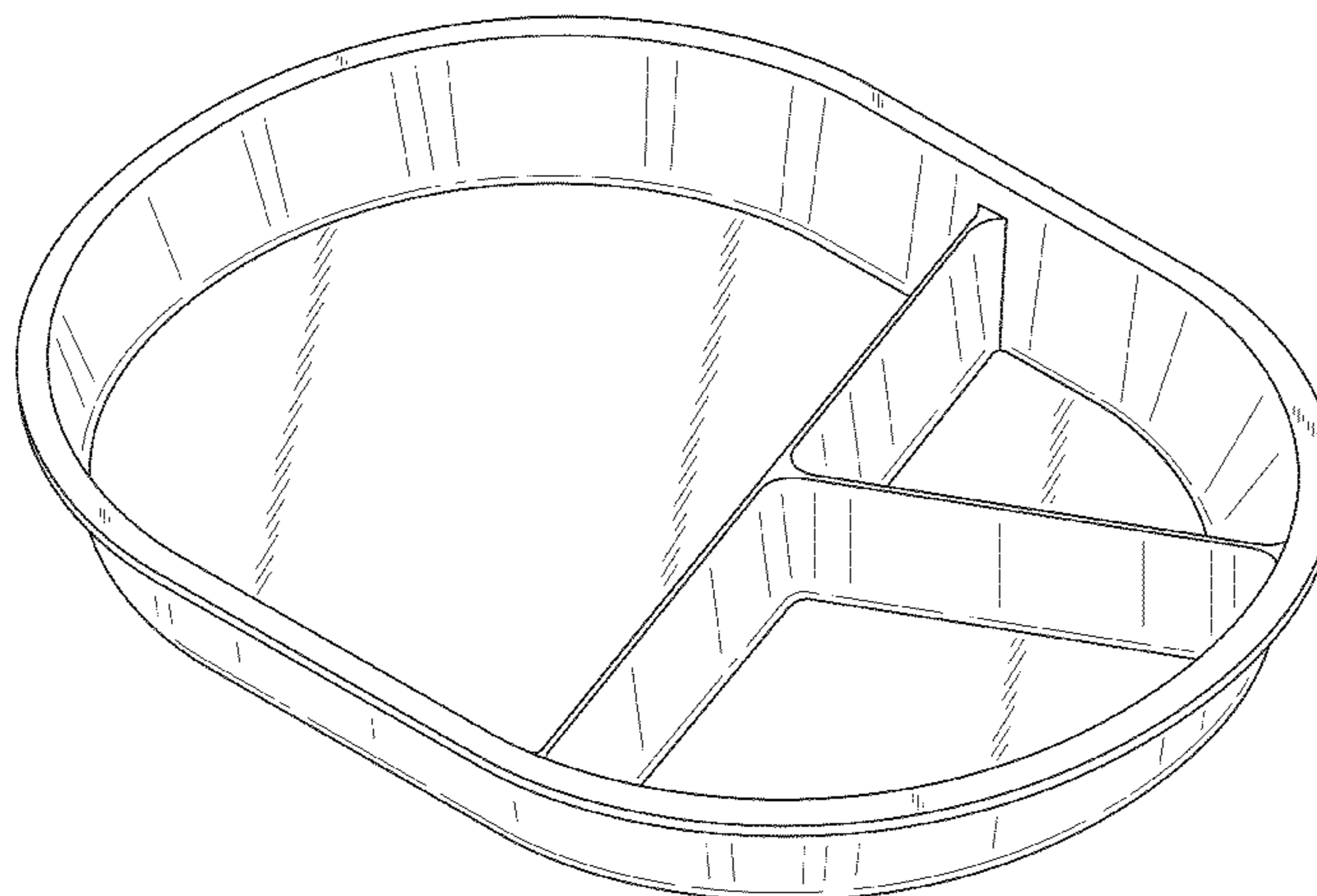
Primary Examiner — Cynthia Underwood
(74) *Attorney, Agent, or Firm* — Griffiths & Seaton PLLC; JoAnn M. Seaton

(57) **CLAIM**
The ornamental design for a plate, as shown and described.

DESCRIPTION

FIG. 1 is a front, perspective view of a plate showing our new design;
FIG. 2 is a front view thereof, the rear view being identical to the front view;
FIG. 3 is a right side view thereof, the left side view being identical to the right side view;
FIG. 4 is a top view thereof; and,
FIG. 5 is a bottom view thereof.
The broken lines represent portions of the plate that form no part of the claim. The dash-short dash boundary lines indicate the bounds of the claimed design and form no part of the claimed design.

1 Claim, 4 Drawing Sheets



(56)

References Cited

OTHER PUBLICATIONS

“Phillips Avent BPA Free Toddler Bowls, Plates, & Spoons”, printed from www.addictedtosaving.com/phillips-avent-bpa-free-toddler-bowls-plates-spoons-50-62-off/ on Jan. 17, 2013 (12 pages).

“Retro Divided Plate and Cup for Children”, printed from www.etsy.com/listing/89076005/retro-divided-plate-and-cup-for-children on Nov. 14, 2012 (2 pages).

“Sprout Ware® Plate and Bowl Set 2 pk”, printed from www.iplaybabywear.com/index.php/sprout-ware-plate-and-bowl-set-2pk.html on Jan. 18, 2013 (2 pages).

* cited by examiner

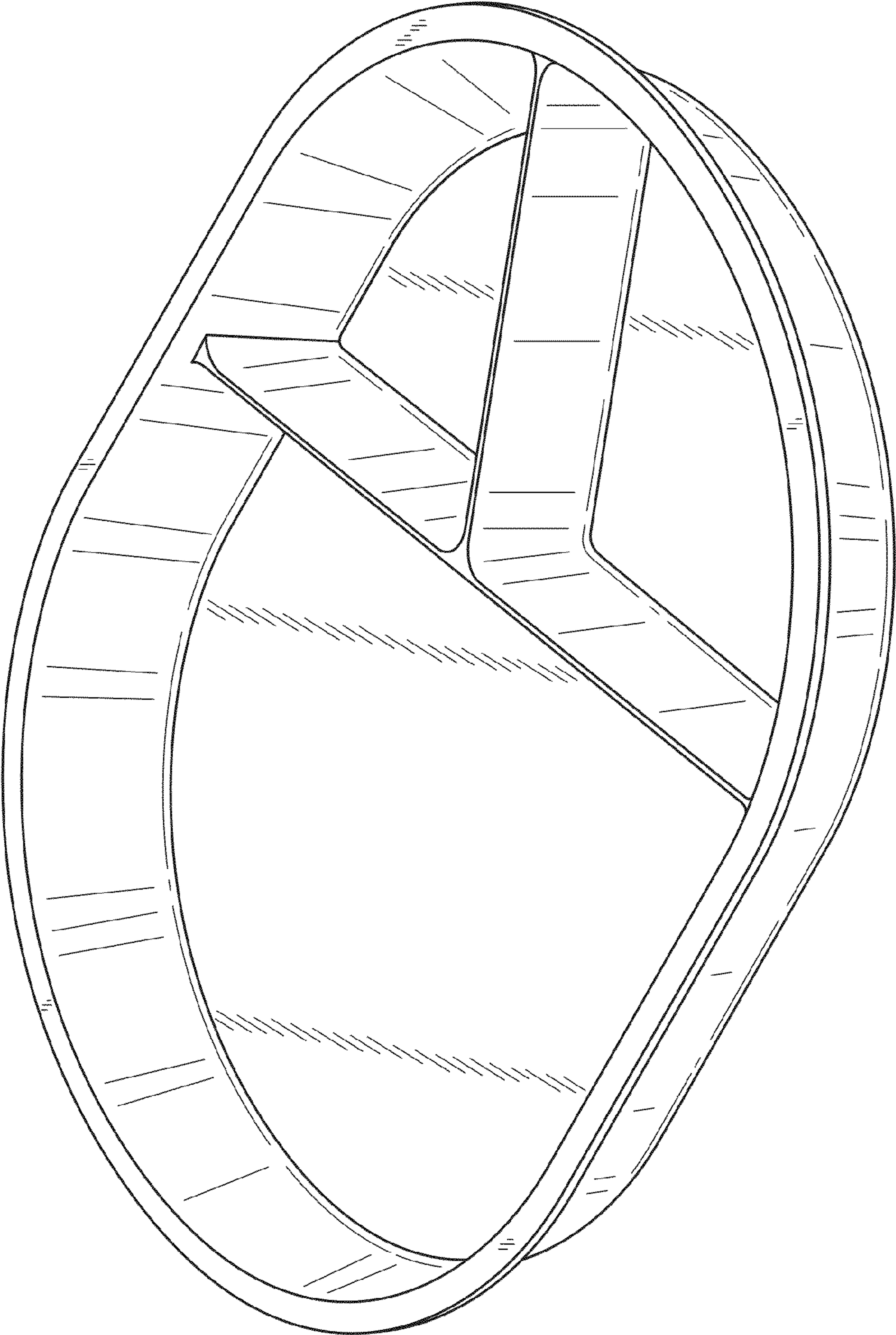


FIG. 1

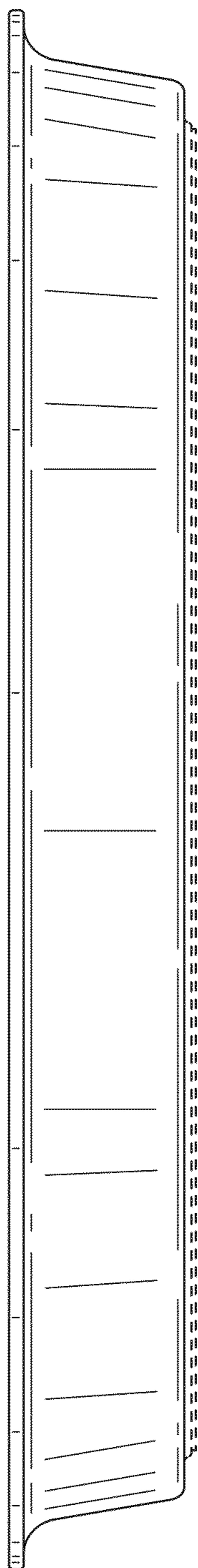


FIG. 2

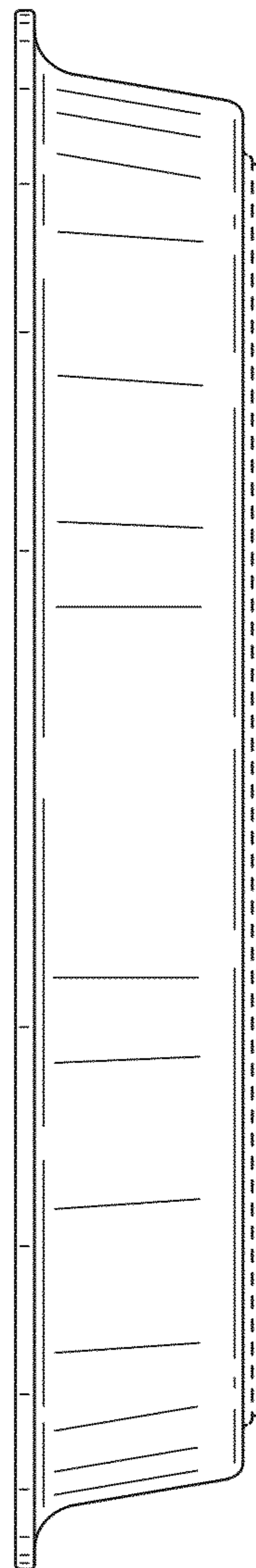


FIG. 3

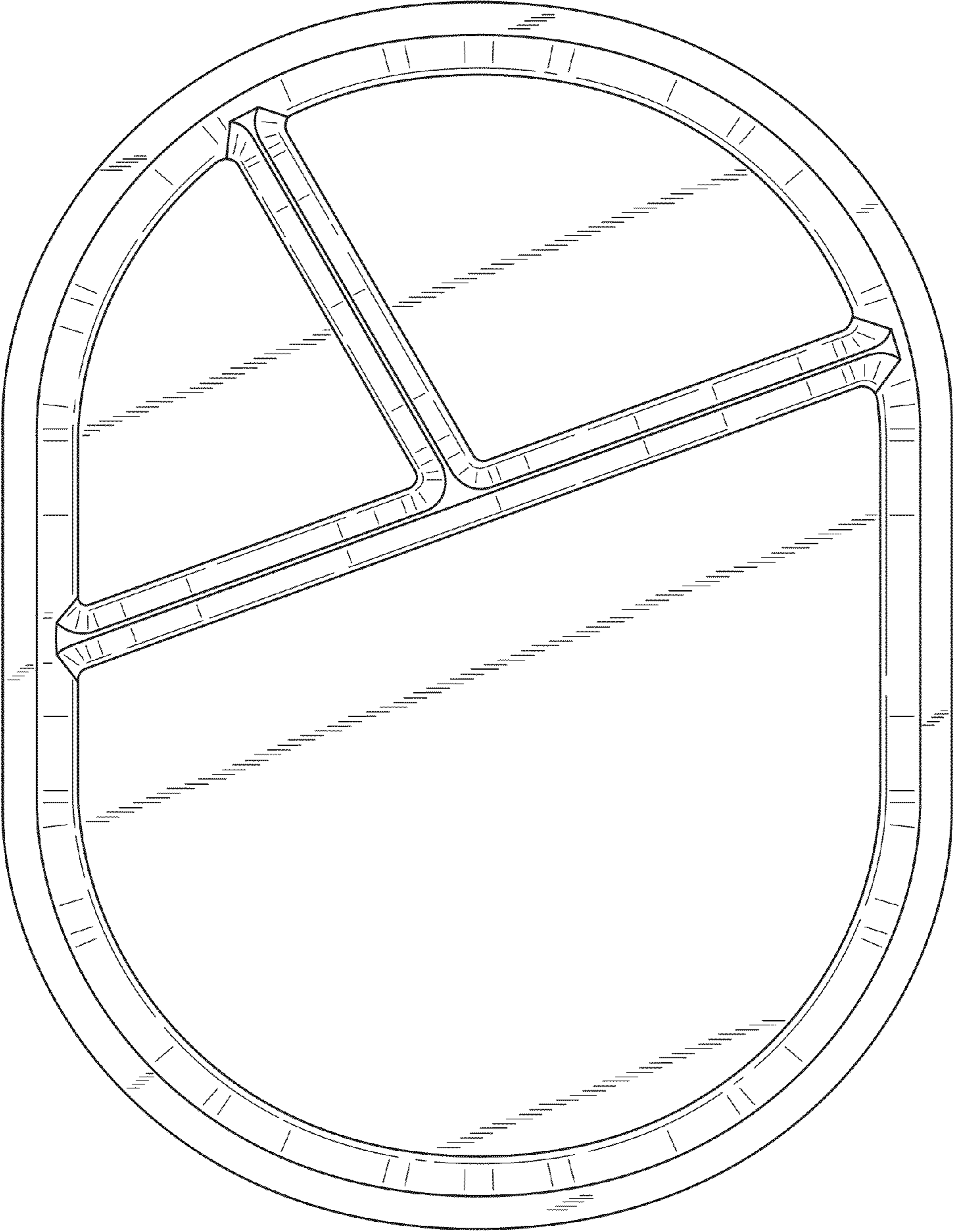


FIG. 4

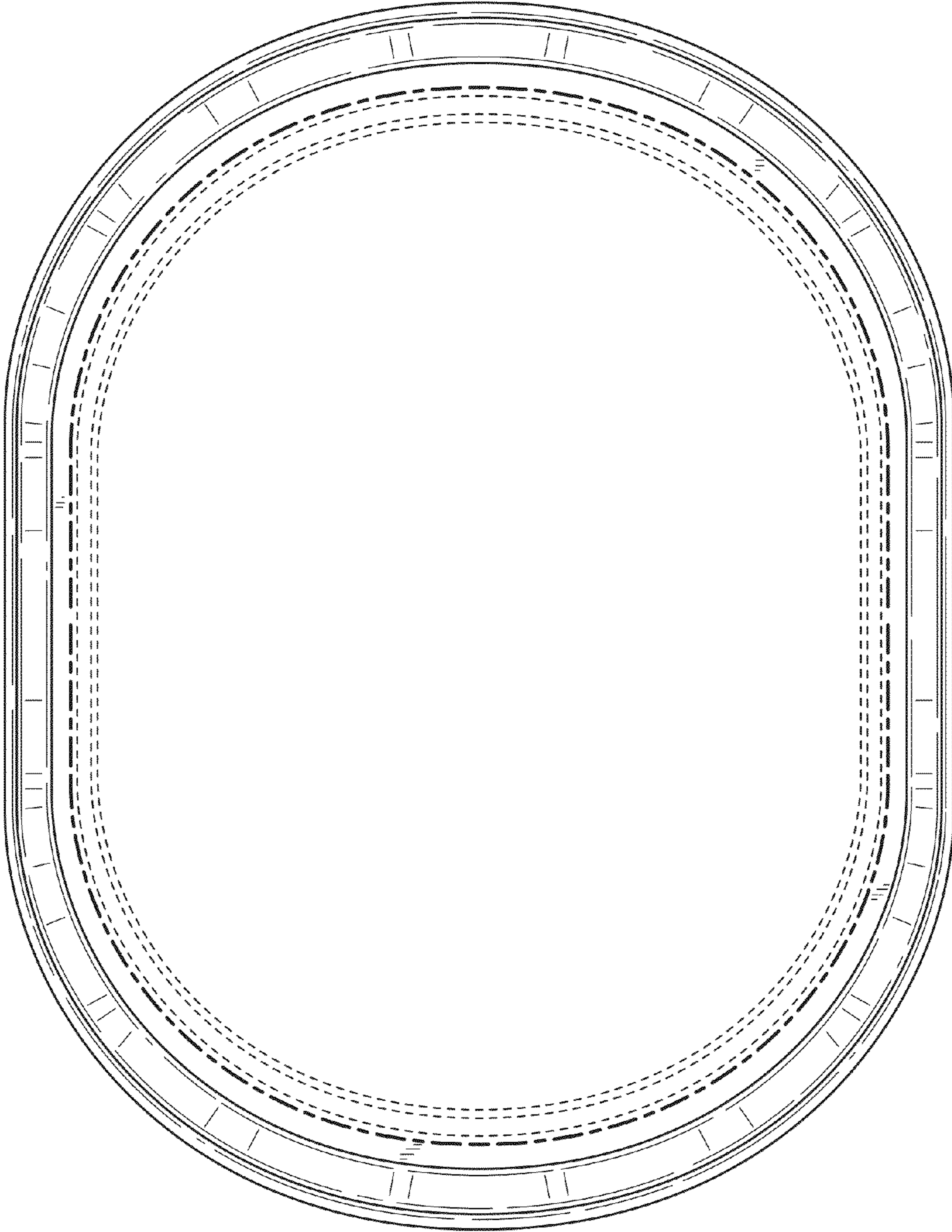


FIG. 5