

US00D693645S

(12) **United States Design Patent**  
**Keyes**

(10) **Patent No.:** **US D693,645 S**

(45) **Date of Patent:** **\*\* Nov. 19, 2013**

(54) **RECYCLABLE ALUMINUM DRINKING GLASS**

(76) Inventor: **James W. Keyes**, Dallas, TX (US)

(\*\*) Term: **14 Years**

(21) Appl. No.: **29/400,559**

(22) Filed: **Aug. 30, 2011**

(51) **LOC (9) Cl.** ..... **07-01**

(52) **U.S. Cl.**  
USPC ..... **D7/523**

(58) **Field of Classification Search**  
USPC ..... D7/507, 509, 523; 215/387; 220/703,  
220/592.16, 592.17; 229/400

See application file for complete search history.

(56) **References Cited**

U.S. PATENT DOCUMENTS

D98,420	S *	2/1936	Deskey	.....	D7/523
D105,943	S *	9/1937	Fuerst	.....	D7/523
2,782,614	A *	2/1957	Currie	.....	220/718
3,349,950	A *	10/1967	Wanderer	.....	220/787
5,222,656	A *	6/1993	Carlson	.....	229/403
6,068,182	A *	5/2000	Tokunaga	.....	229/403
6,176,390	B1 *	1/2001	Kemp	.....	220/712
6,265,040	B1 *	7/2001	Neale et al.	.....	428/36.5
6,286,709	B1 *	9/2001	Hudson	.....	220/739
6,814,253	B2 *	11/2004	Wong	.....	220/739
7,537,136	B2 *	5/2009	Hechmati	.....	220/739
D599,622	S *	9/2009	Gilbert et al.	.....	D7/538
D603,220	S *	11/2009	Ghiorghie	.....	D7/523
D606,364	S *	12/2009	Gilbert et al.	.....	D7/510
D622,546	S *	8/2010	Bodum	.....	D7/510
D623,476	S *	9/2010	Carlson et al.	.....	D7/510
7,918,016	B2 *	4/2011	Hollis et al.	.....	29/775
7,951,057	B2 *	5/2011	Robertson et al.	.....	493/95
8,087,147	B2 *	1/2012	Hollis et al.	.....	29/469
D658,443	S *	5/2012	Chiu et al.	.....	D7/507
D672,610	S *	12/2012	Park et al.	.....	D7/510
8,360,263	B2 *	1/2013	D'Amato	.....	220/592.17
8,392,886	B2 *	3/2013	Sweis et al.	.....	717/125
2004/0084452	A1 *	5/2004	Hsieh	.....	220/256.1
2005/0236468	A1 *	10/2005	Sadlier	.....	229/403
2007/0181591	A1 *	8/2007	Pierce et al.	.....	220/801

OTHER PUBLICATIONS

Anodized Aluminum Tumblers: Kitchen & Dining, [www.amazon.com/set-6-anodized-aluminum-tumblers/dp/B002T7KGG](http://www.amazon.com/set-6-anodized-aluminum-tumblers/dp/B002T7KGG), 7 pages, retrieved Jun. 28, 2011.

3 red vintage aluminum drinking glass by MyraMelinda on Etsy, [www.etsy.com/listing/72936758/3-red-vintage-aluminum-drinking-glass](http://www.etsy.com/listing/72936758/3-red-vintage-aluminum-drinking-glass), 6 pages, retrieved Jun. 7, 2011.

A Presa II 16oz Steel Mug, [www.ec-promos.com/pro/v1124b/v1148tlc/a-presaii-16oz-steel-mug\\_188751.html](http://www.ec-promos.com/pro/v1124b/v1148tlc/a-presaii-16oz-steel-mug_188751.html), 1 page, retrieved Jun. 7, 2011.

Avventura 20oz Steel Mug, [www.ec-promos.com/pro/v1124b/v1148tlc/avventura-20oz-steel-mug\\_188691.html](http://www.ec-promos.com/pro/v1124b/v1148tlc/avventura-20oz-steel-mug_188691.html), 1 page, retrieved Jun. 7, 2011.

Wholesale Custom Ounce Liter Flask: The Santa Croce—Eighteen ounce liter flask with cup and a push-button lid, [www.onein hundred.com/Wholesale-customized-printed/ounce-liter-flask.htm](http://www.onein hundred.com/Wholesale-customized-printed/ounce-liter-flask.htm), 1 page, retrieved Jun. 7, 2011.

Aluminum Cup, [www.p-wholesale.com/cn-pro/13/574to2/aluminum-cup-521106.html](http://www.p-wholesale.com/cn-pro/13/574to2/aluminum-cup-521106.html), 1 page, retrieved Jun. 7, 2011.

\* cited by examiner

*Primary Examiner* — Cynthia Underwood

(74) *Attorney, Agent, or Firm* — Haynes and Boone, LLP

(57) **CLAIM**

The ornamental design for a recyclable aluminum drinking glass, as shown and described.

**DESCRIPTION**

FIG. 1 is a perspective view of the recyclable aluminum drinking glass showing my new design according to a first embodiment;

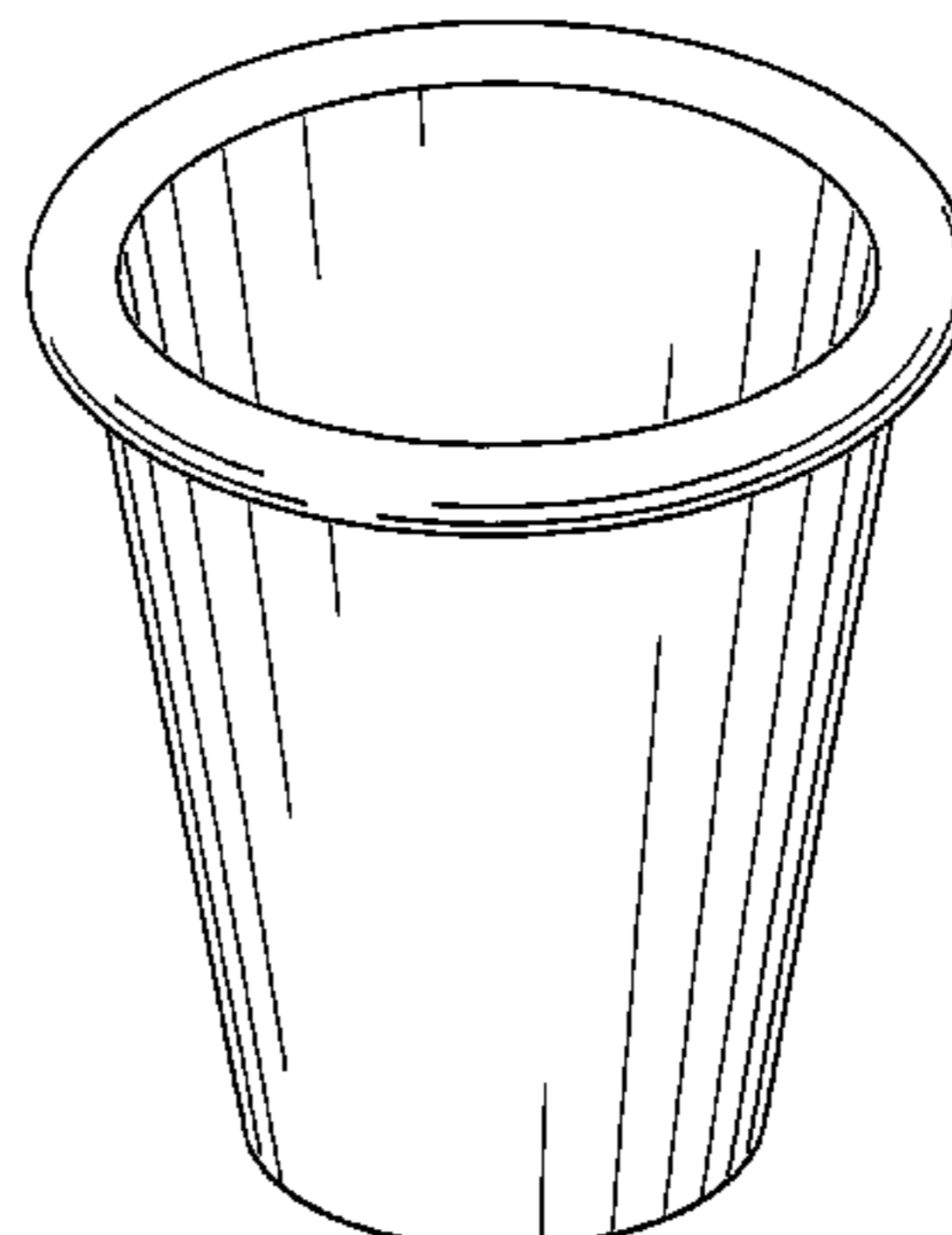
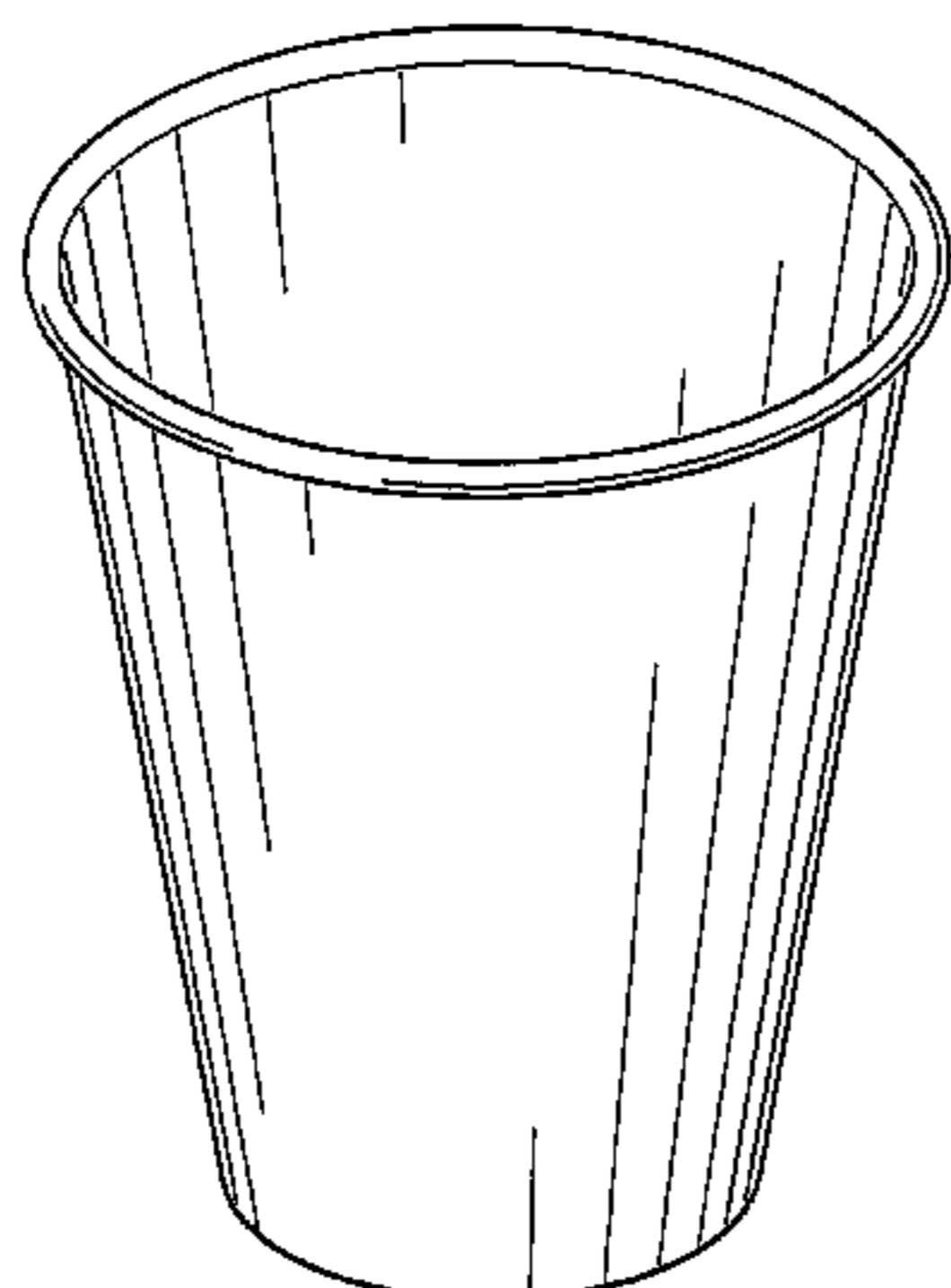
FIG. 2 is a front elevational view of the first embodiment, the right side, left side, and rear elevational views of the first embodiment being the same as the front elevational view of the first embodiment;

FIG. 3 is a top plan view of the first embodiment;

FIG. 4 is a bottom plan view of the first embodiment;

FIG. 5 is a sectional view of the first embodiment taken along line 5-5 of FIG. 2;

FIG. 6 is a perspective view of the recyclable aluminum drinking glass showing my new design according to a second embodiment, the second embodiment being identical to the



first embodiment except that the second embodiment is shown with a symbolic break in its length. The appearance of any portion of the article between the break lines forms no part of the claimed design.

FIG. 7 is a perspective view of the recyclable aluminum drinking glass showing my new design according to a third embodiment;

FIG. 8 is a front elevational view of the third embodiment, the right side, left side, and rear elevational views of the third embodiment being the same as the front elevational view of the third embodiment;

FIG. 9 is a top plan view of the third embodiment;

FIG. 10 is a bottom plan view of the third embodiment;

FIG. 11 is a sectional view of the third embodiment taken along line 11-11 of FIG. 8;

FIG. 11a is an enlarged view of a portion of FIG. 11;

FIG. 12 is a perspective view of the recyclable aluminum drinking glass showing my new design according to a fourth embodiment, the fourth embodiment being identical to the third embodiment except that the fourth embodiment is

shown with a symbolic break in its length. The appearance of any portion of the article between the break lines forms no part of the claimed design.

FIG. 13 is a perspective view of the recyclable aluminum drinking glass showing my new design according to a fifth embodiment;

FIG. 14 is a front elevational view of the fifth embodiment, the right side, left side, and rear elevational views of the fifth embodiment being the same as the front elevational view of the fifth embodiment;

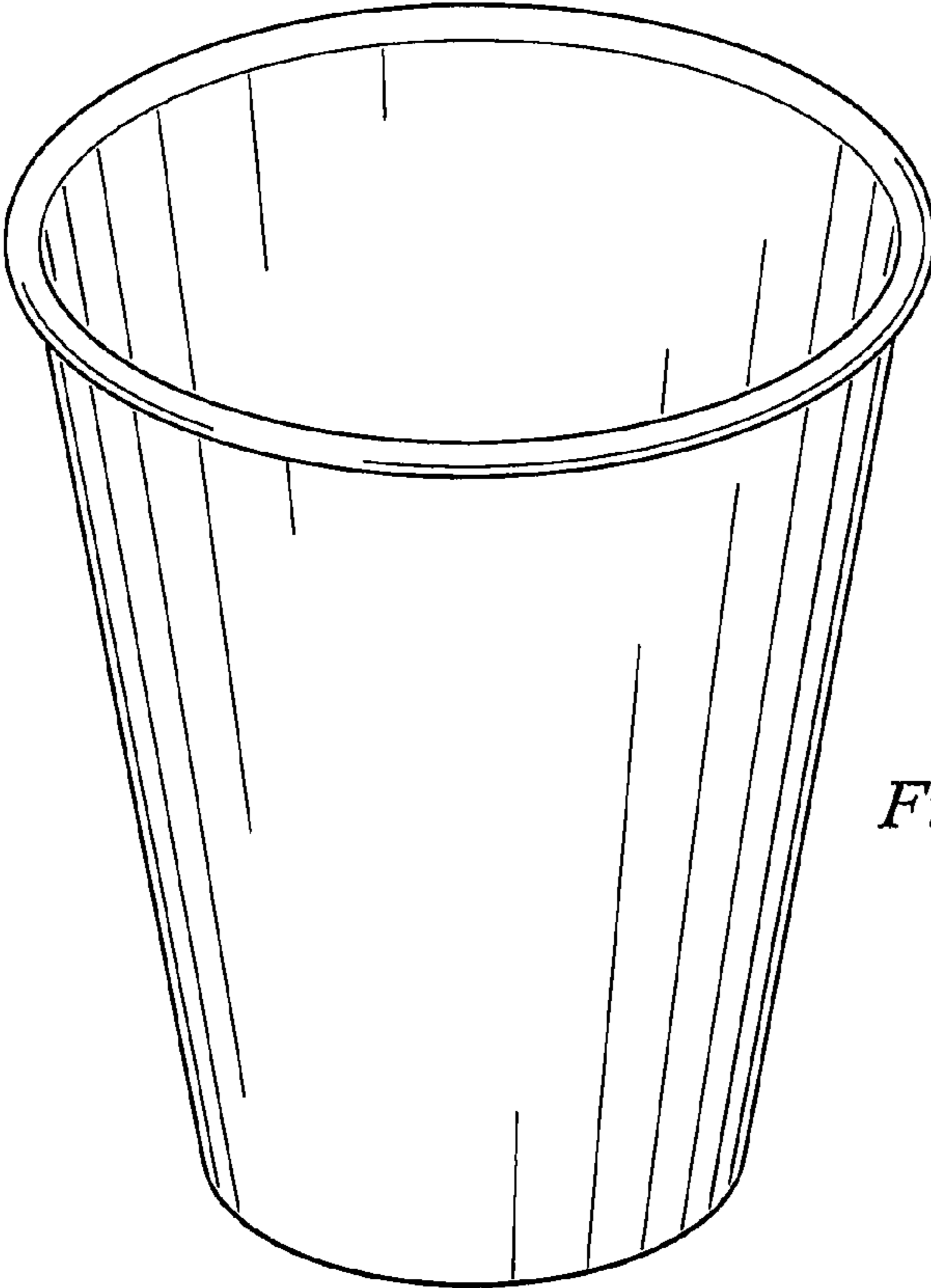
FIG. 15 is a top plan view of the fifth embodiment;

FIG. 16 is a bottom plan view of the fifth embodiment;

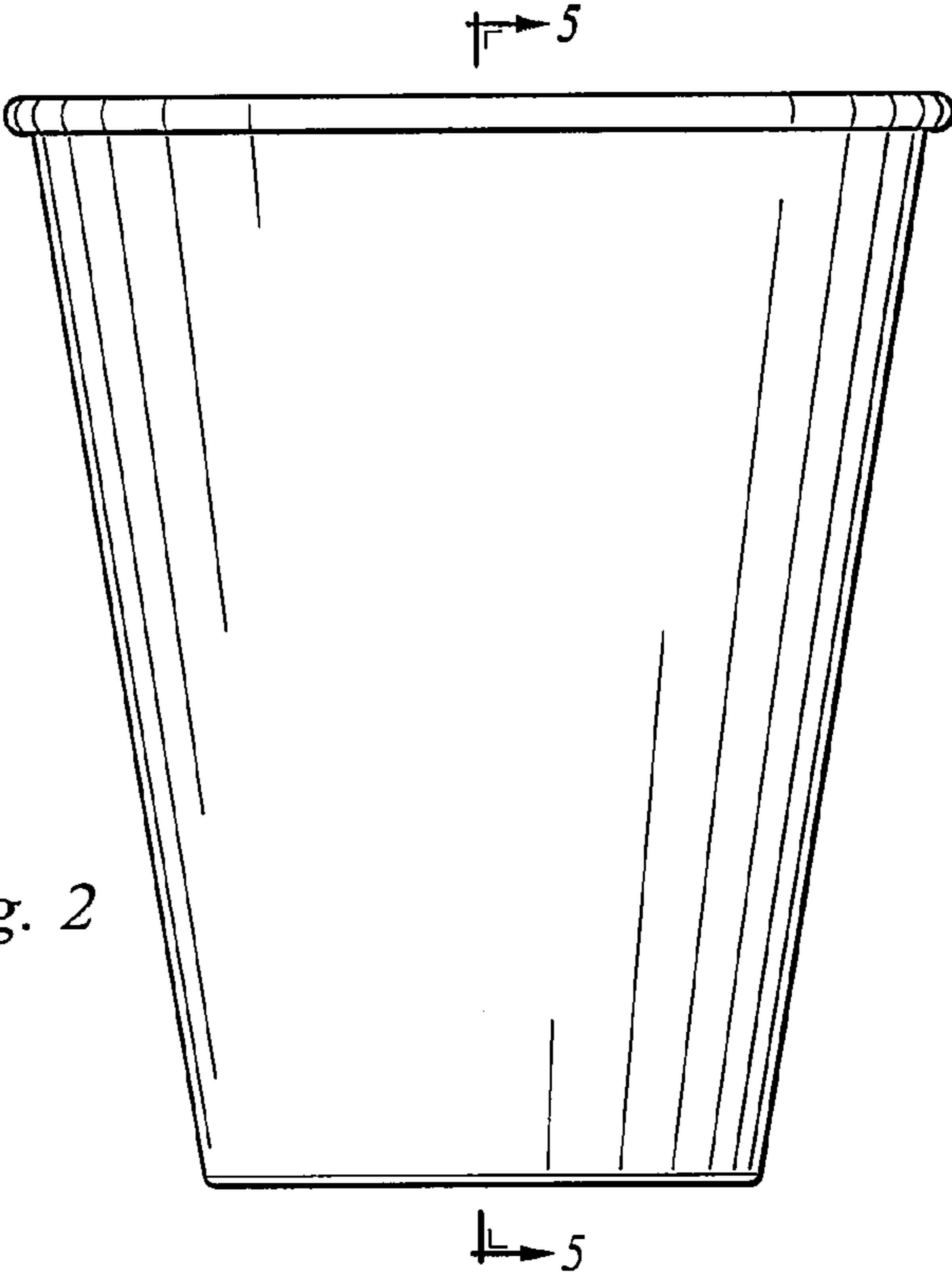
FIG. 17 is a sectional view of the fifth embodiment taken along line 17-17 of FIG. 14; and,

FIG. 18 is a perspective view of the recyclable aluminum drinking glass showing my new design according to a sixth embodiment, the sixth embodiment being identical to the fifth embodiment except that the sixth embodiment is shown with a symbolic break in its length. The appearance of any portion of the article between the break lines forms no part of the claimed design.

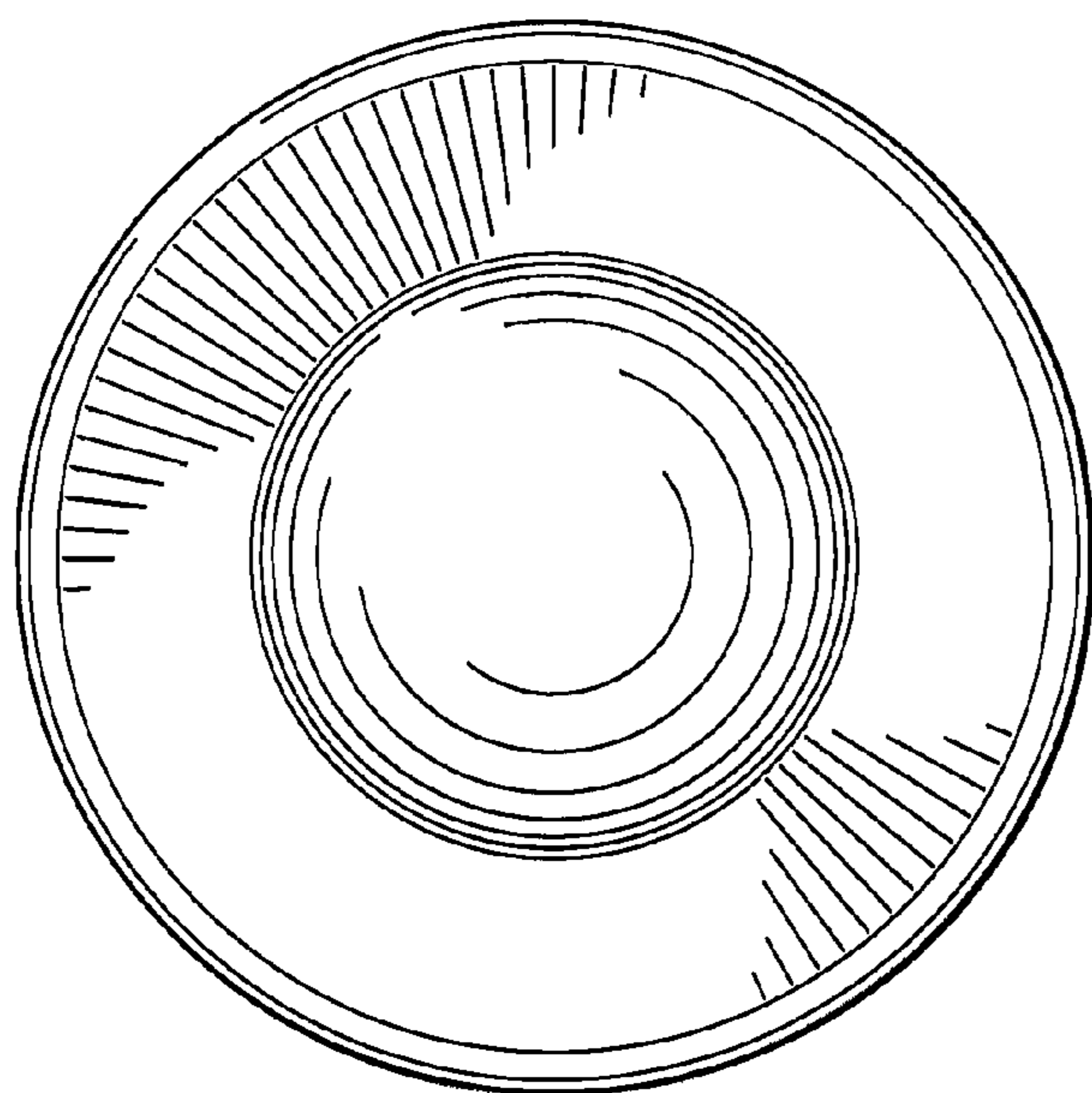
**1 Claim, 9 Drawing Sheets**



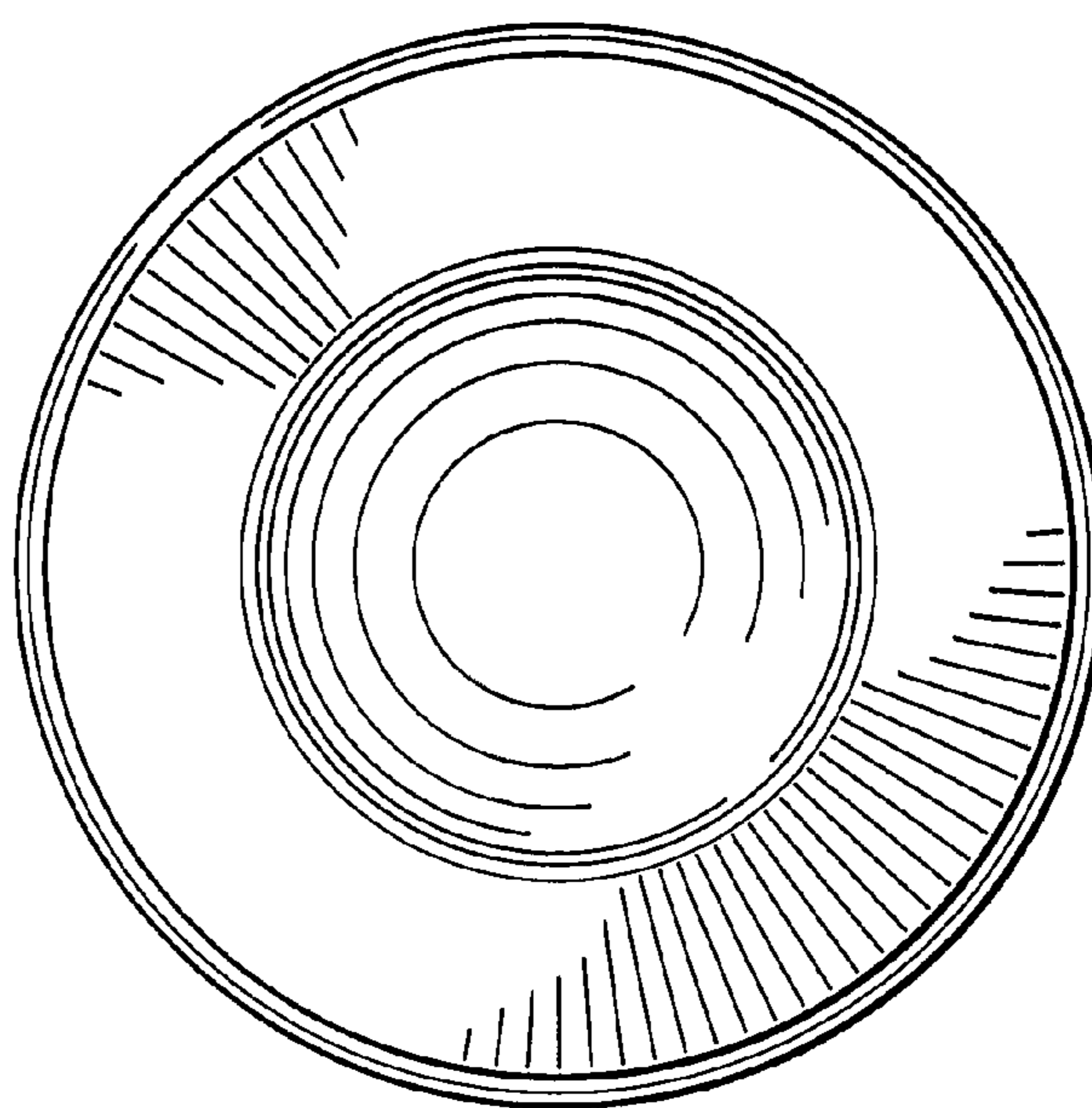
*Fig. 1*



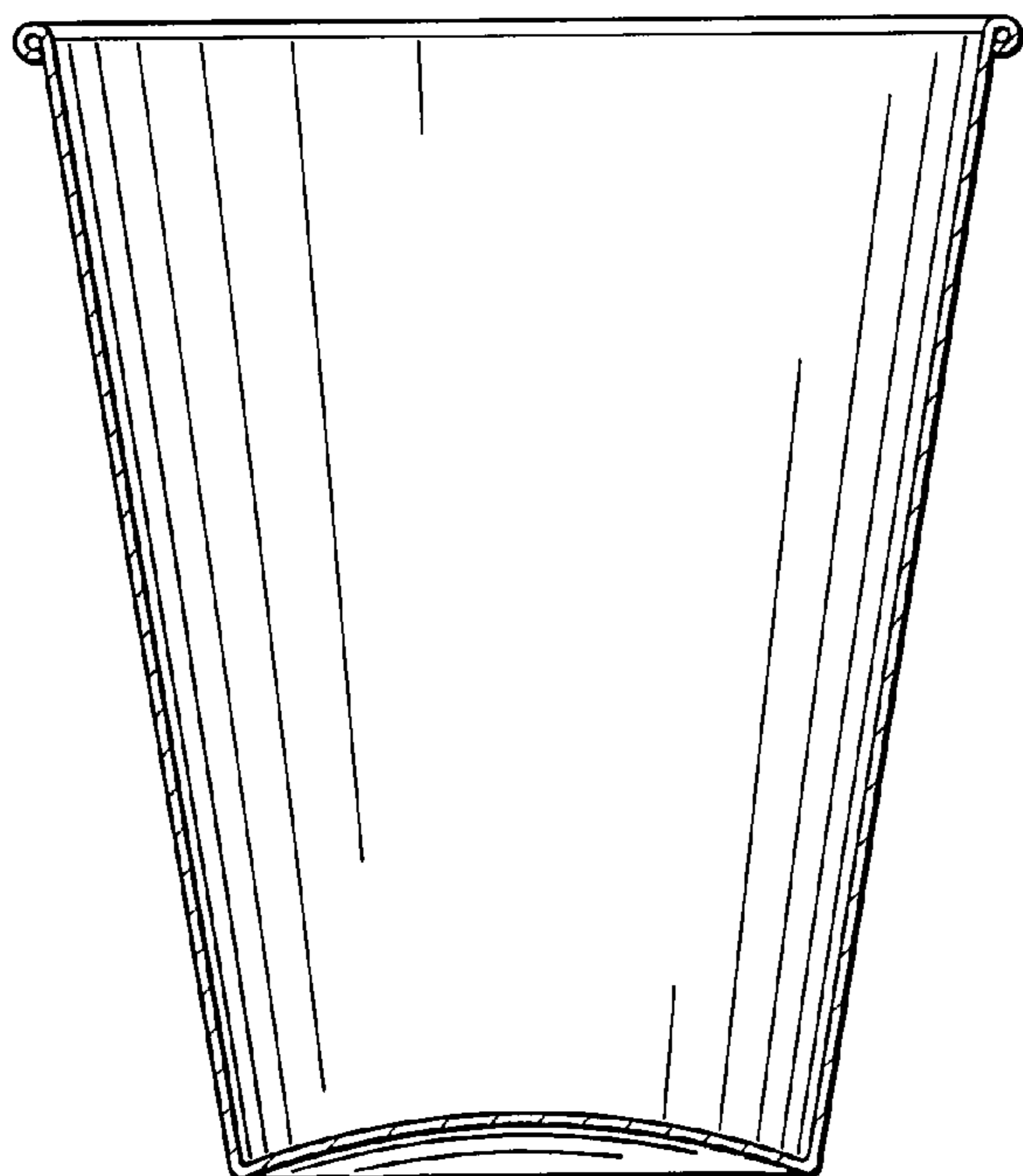
*Fig. 2*



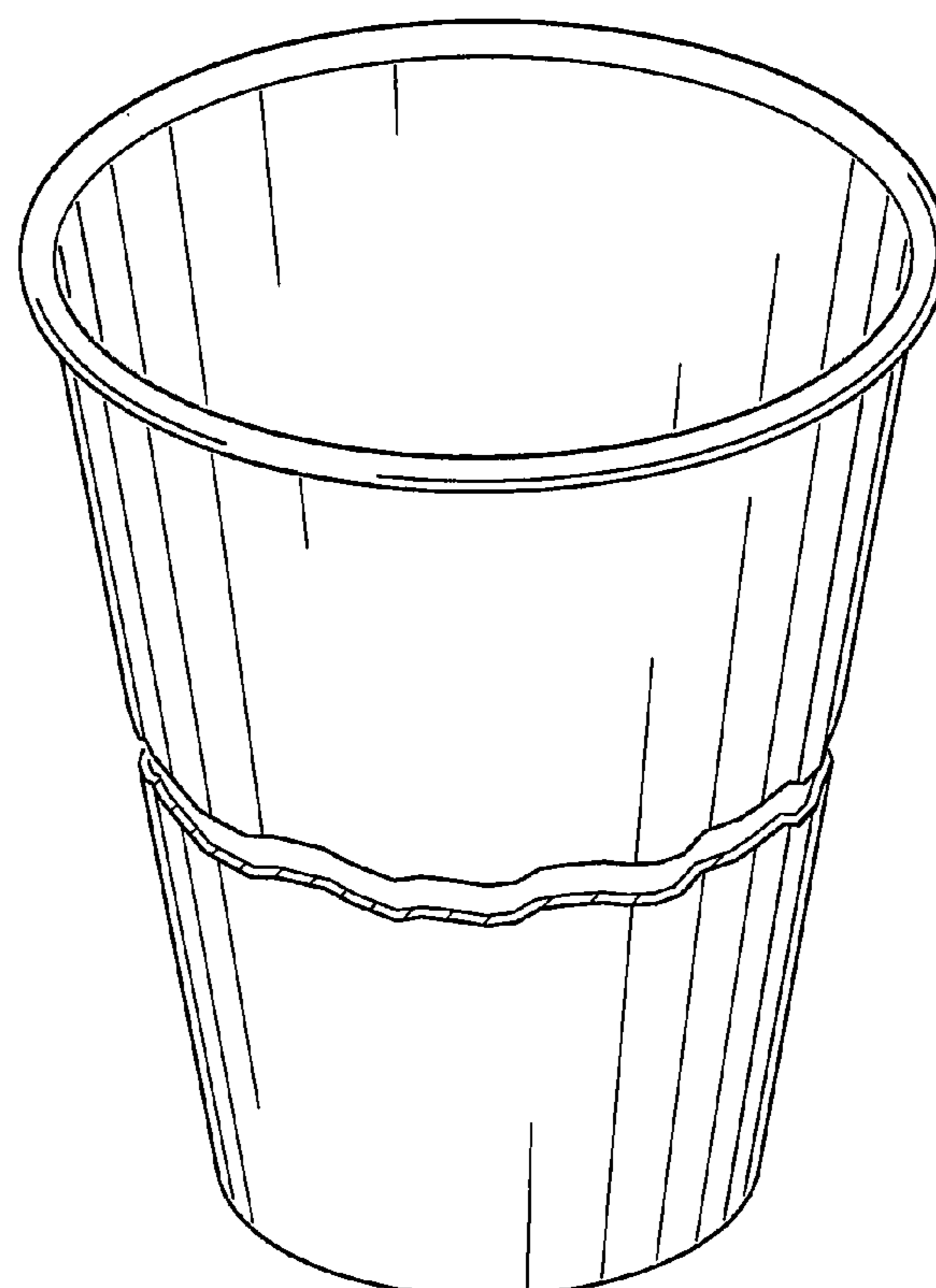
*Fig. 3*



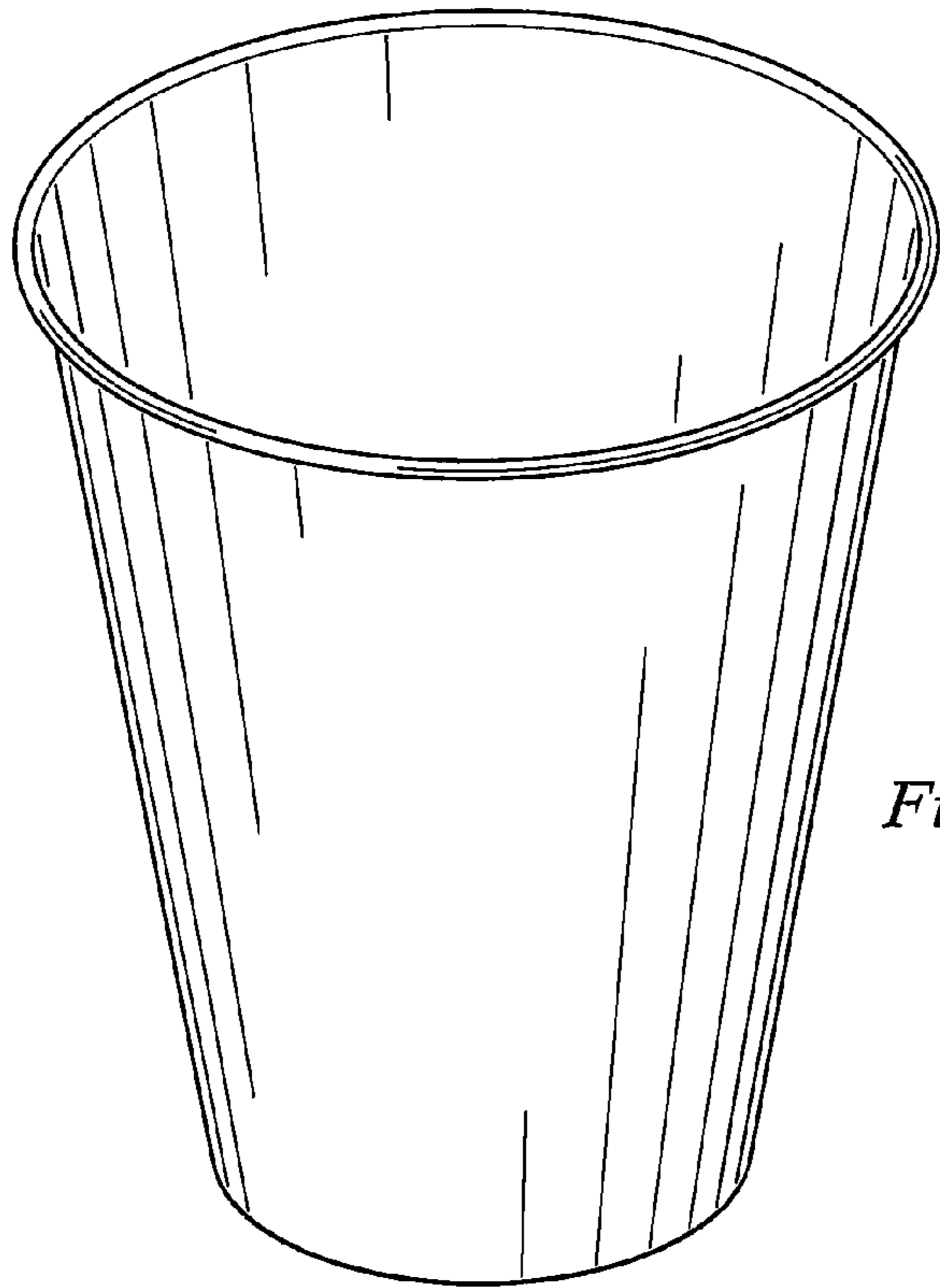
*Fig. 4*



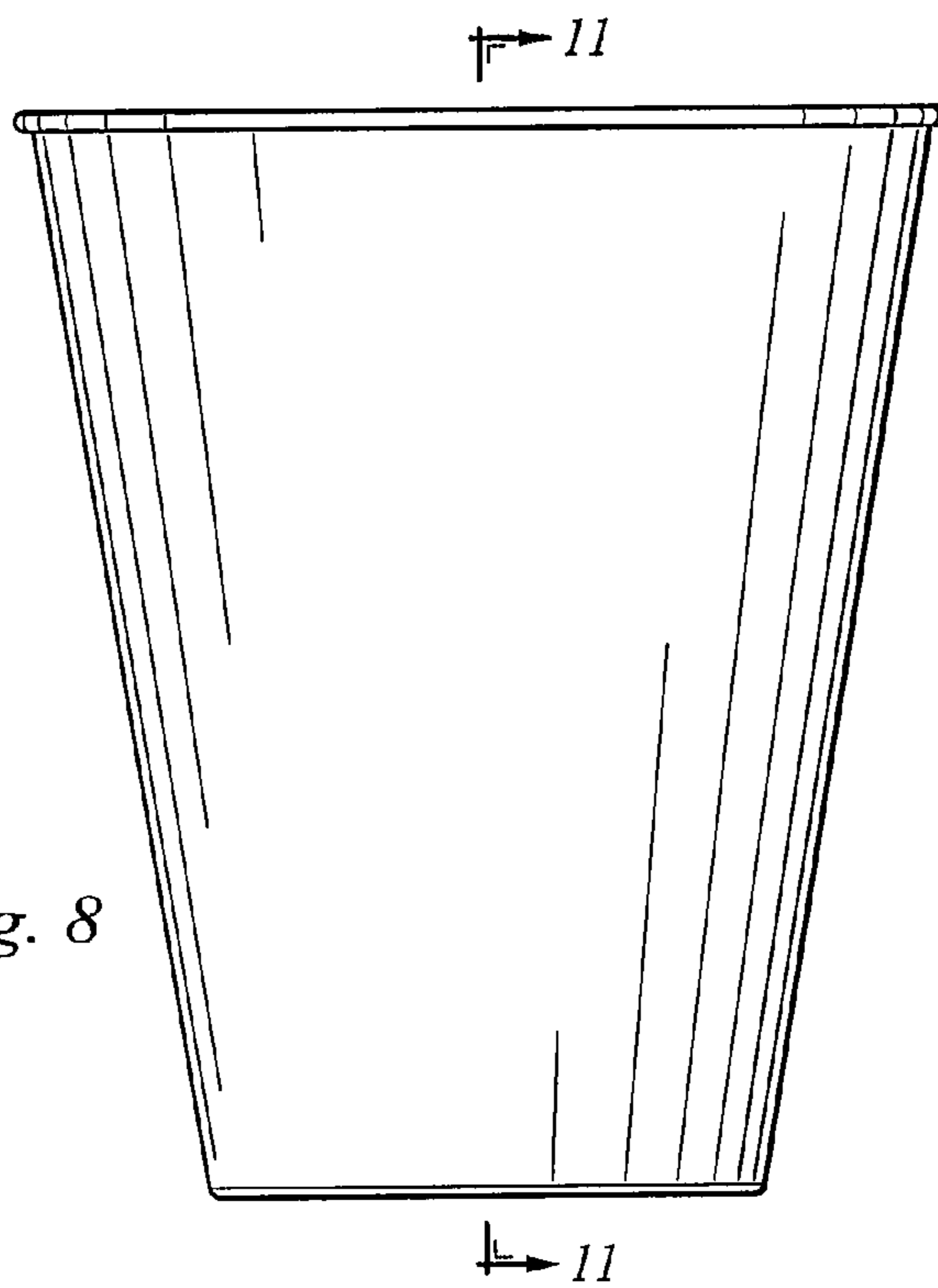
*Fig. 5*



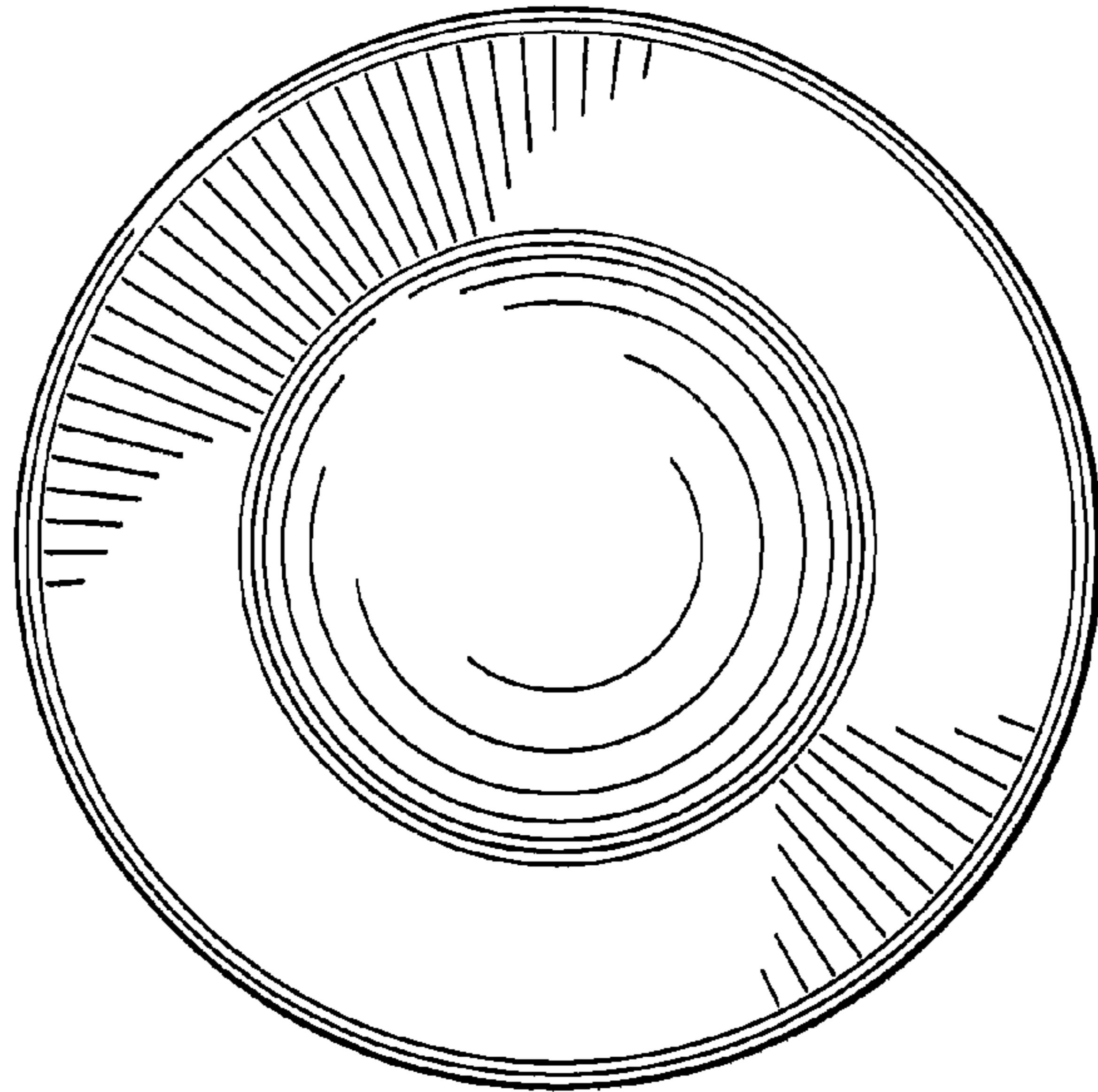
*Fig. 6*



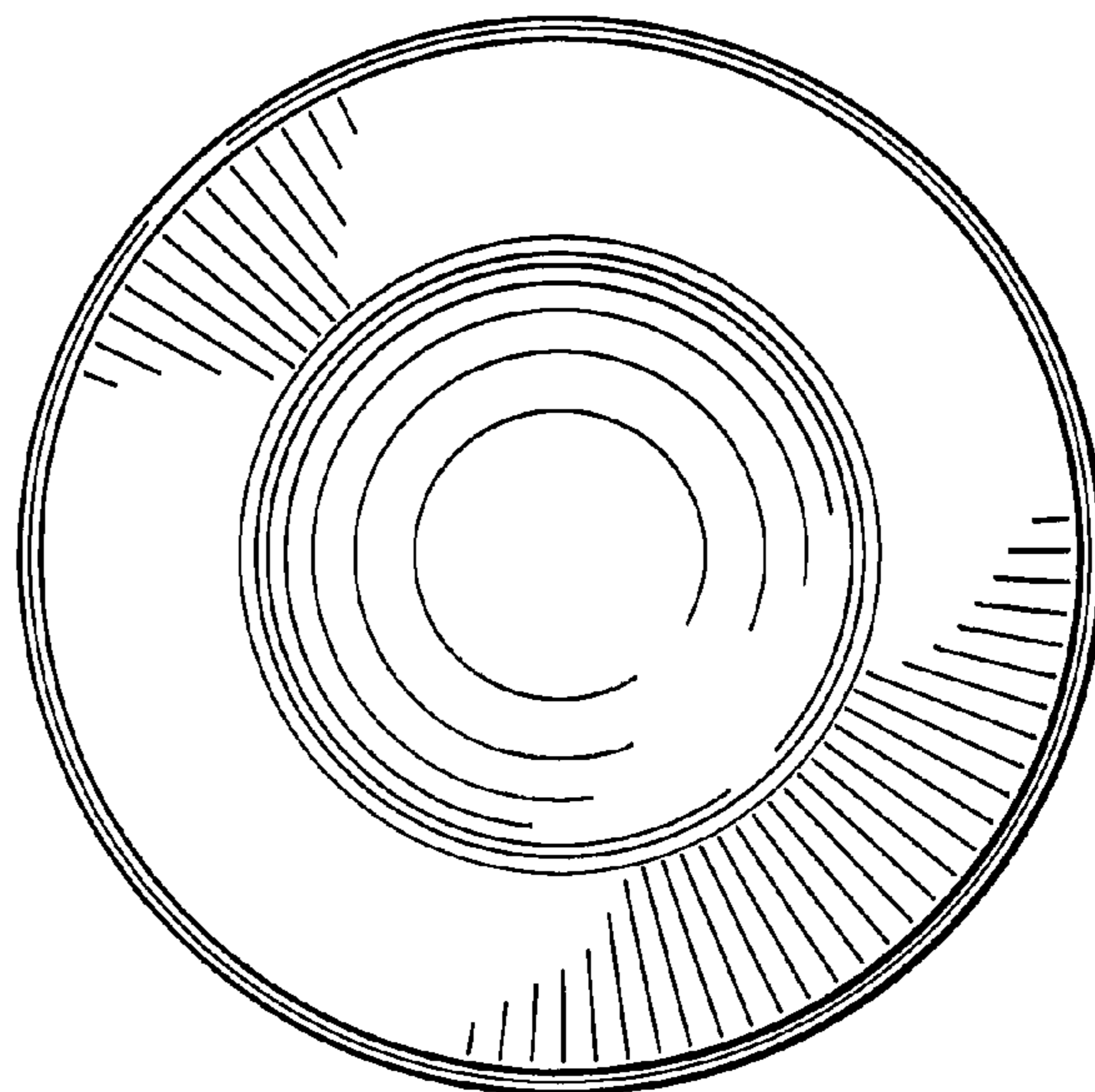
*Fig. 7*



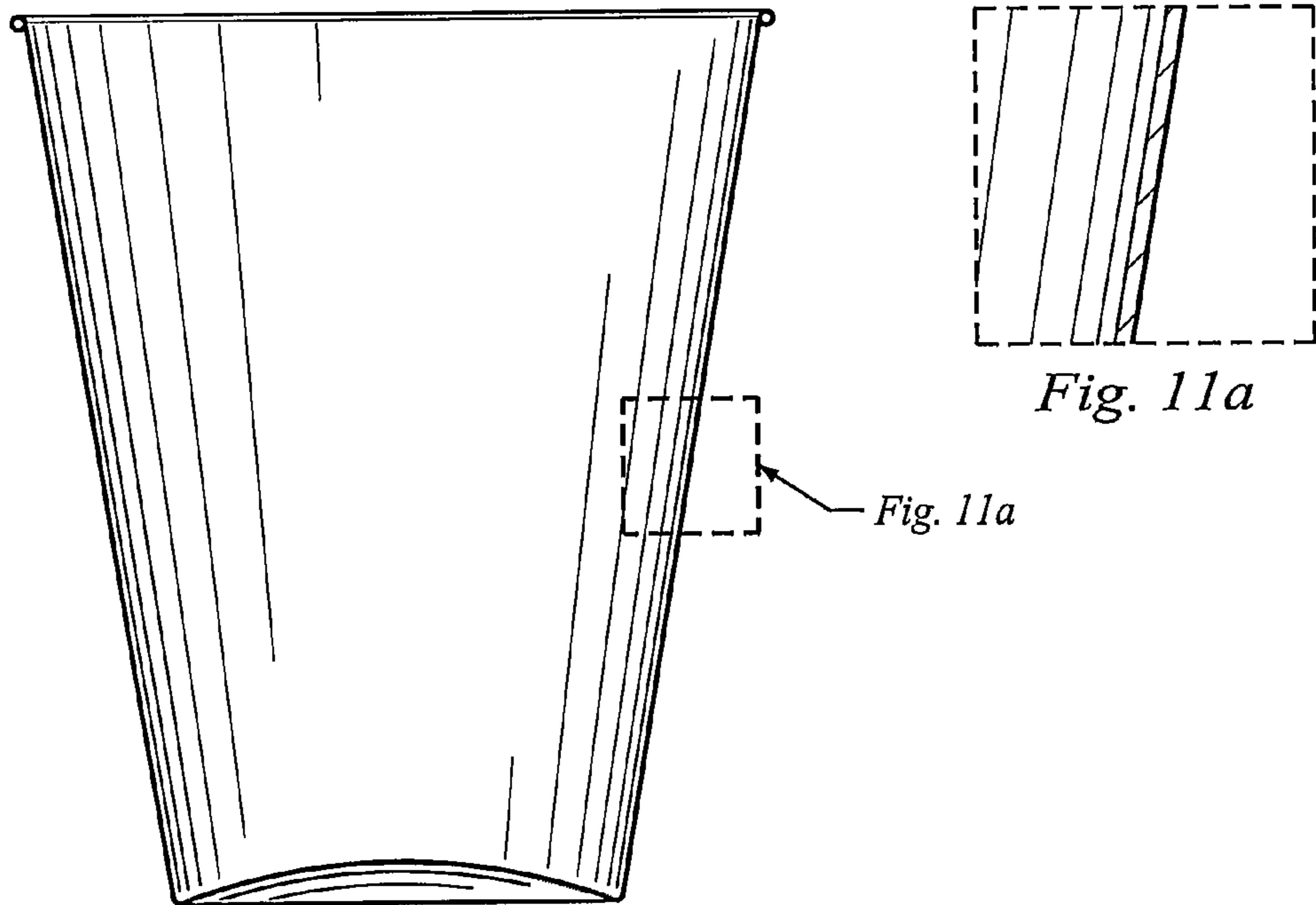
*Fig. 8*



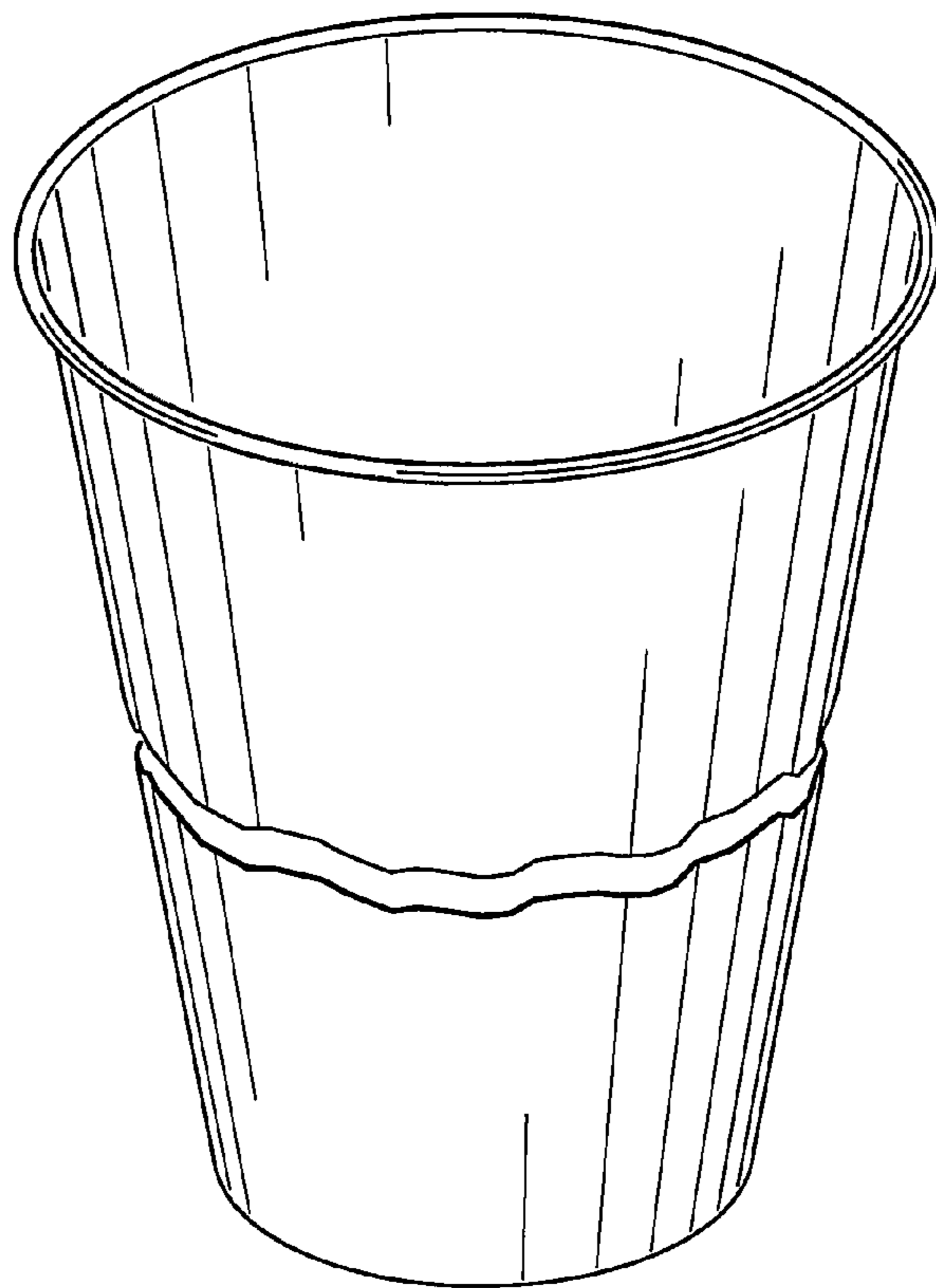
*Fig. 9*



*Fig. 10*

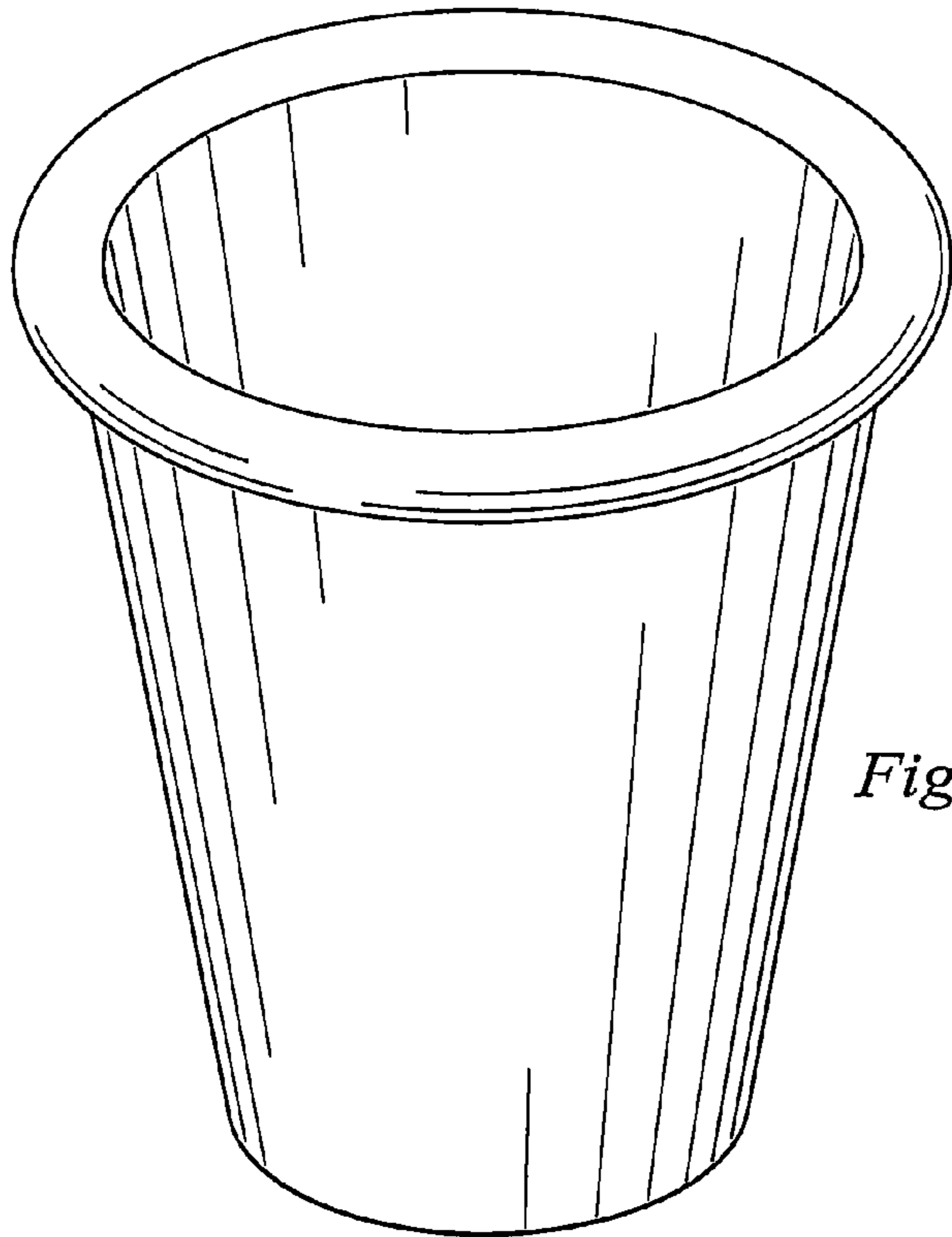


*Fig. 11*

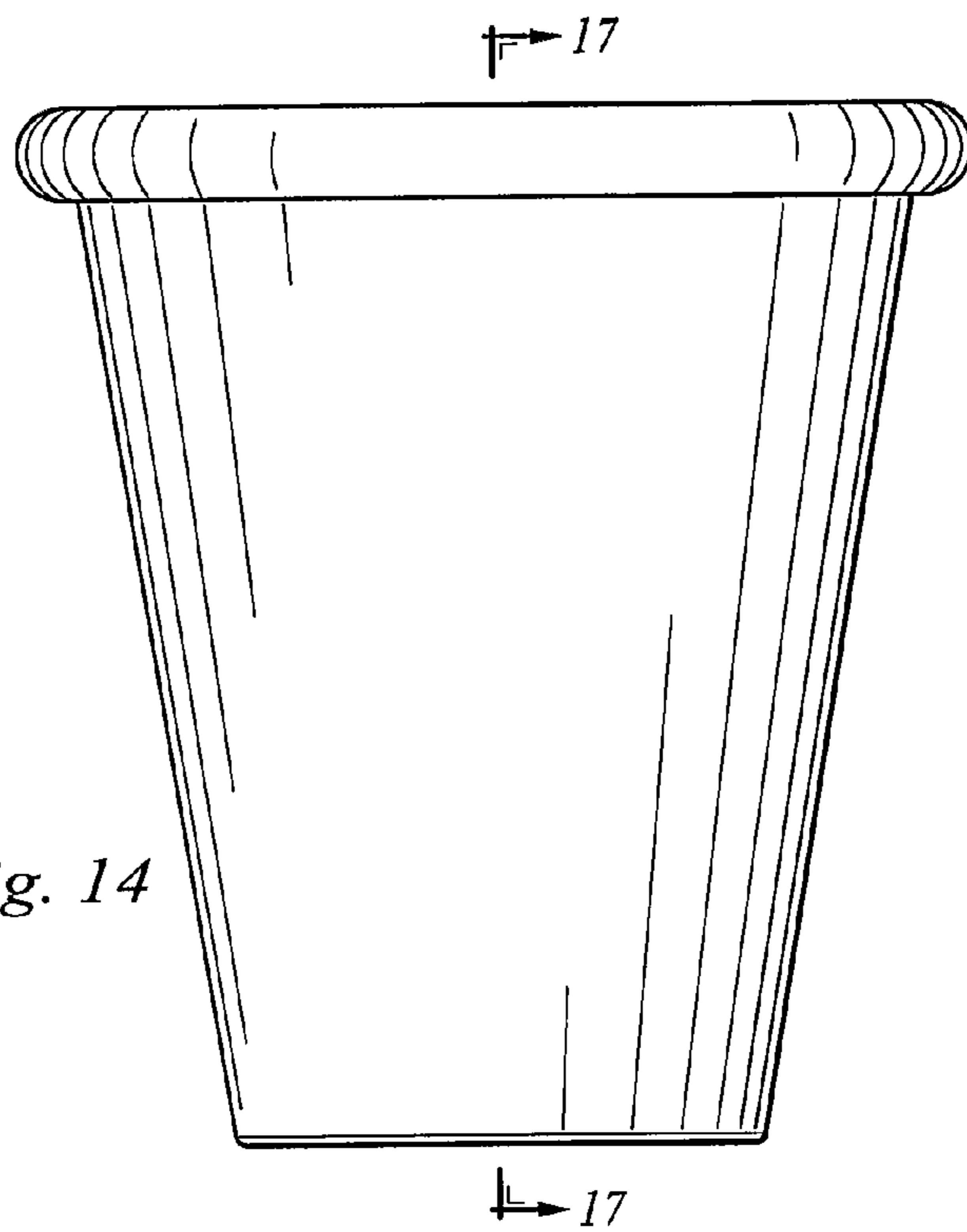


*Fig. 12*

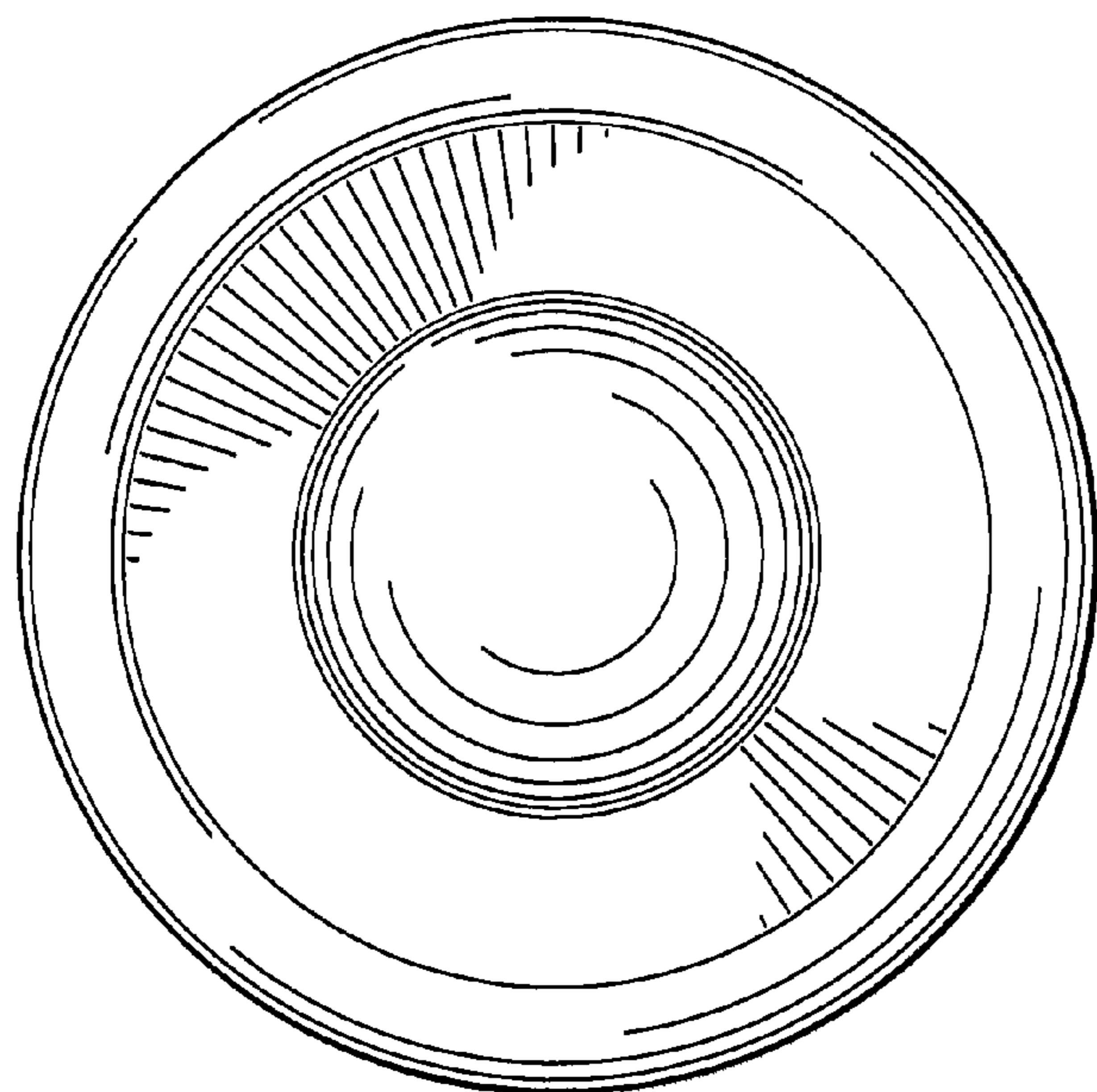




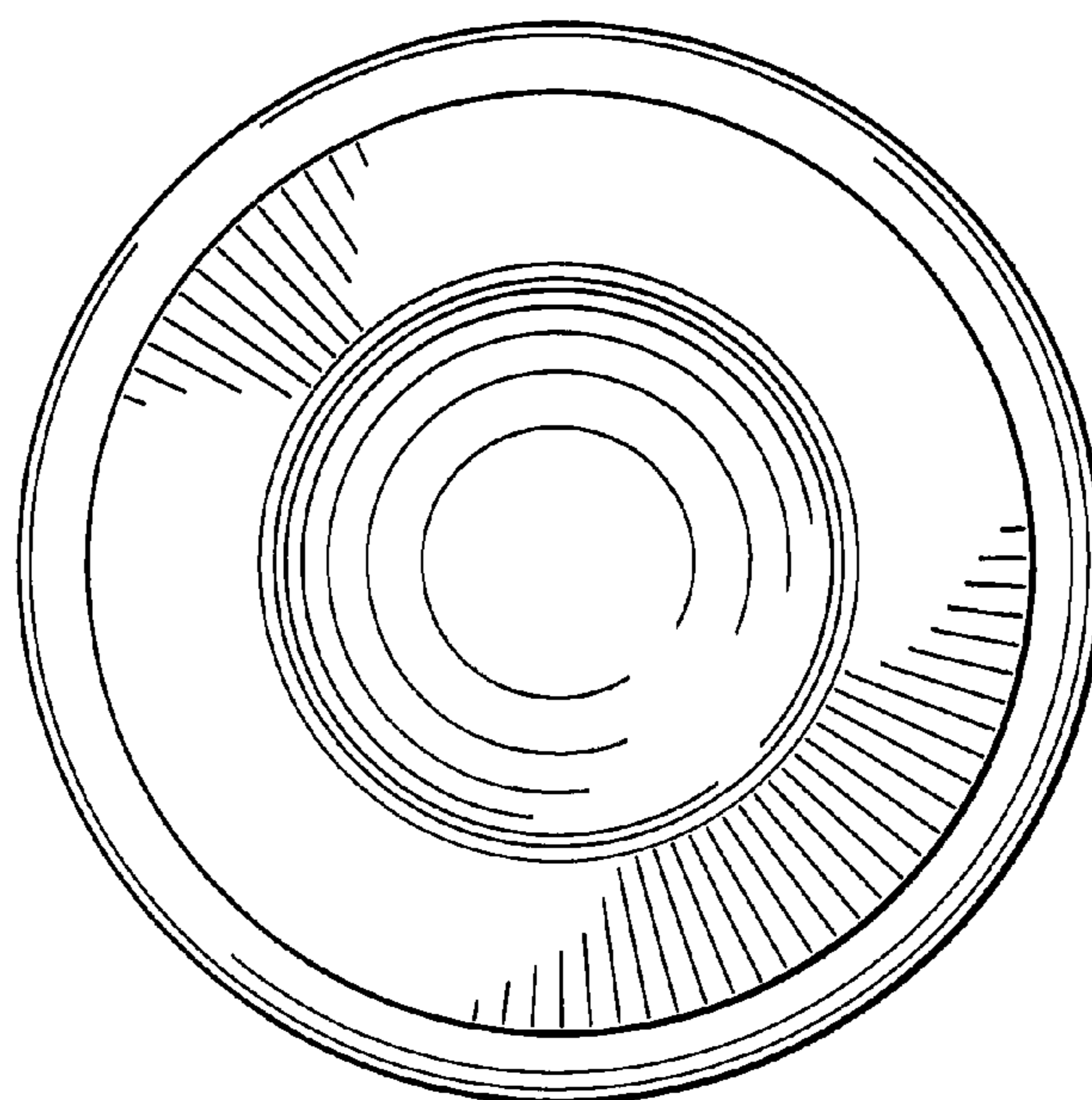
*Fig. 13*



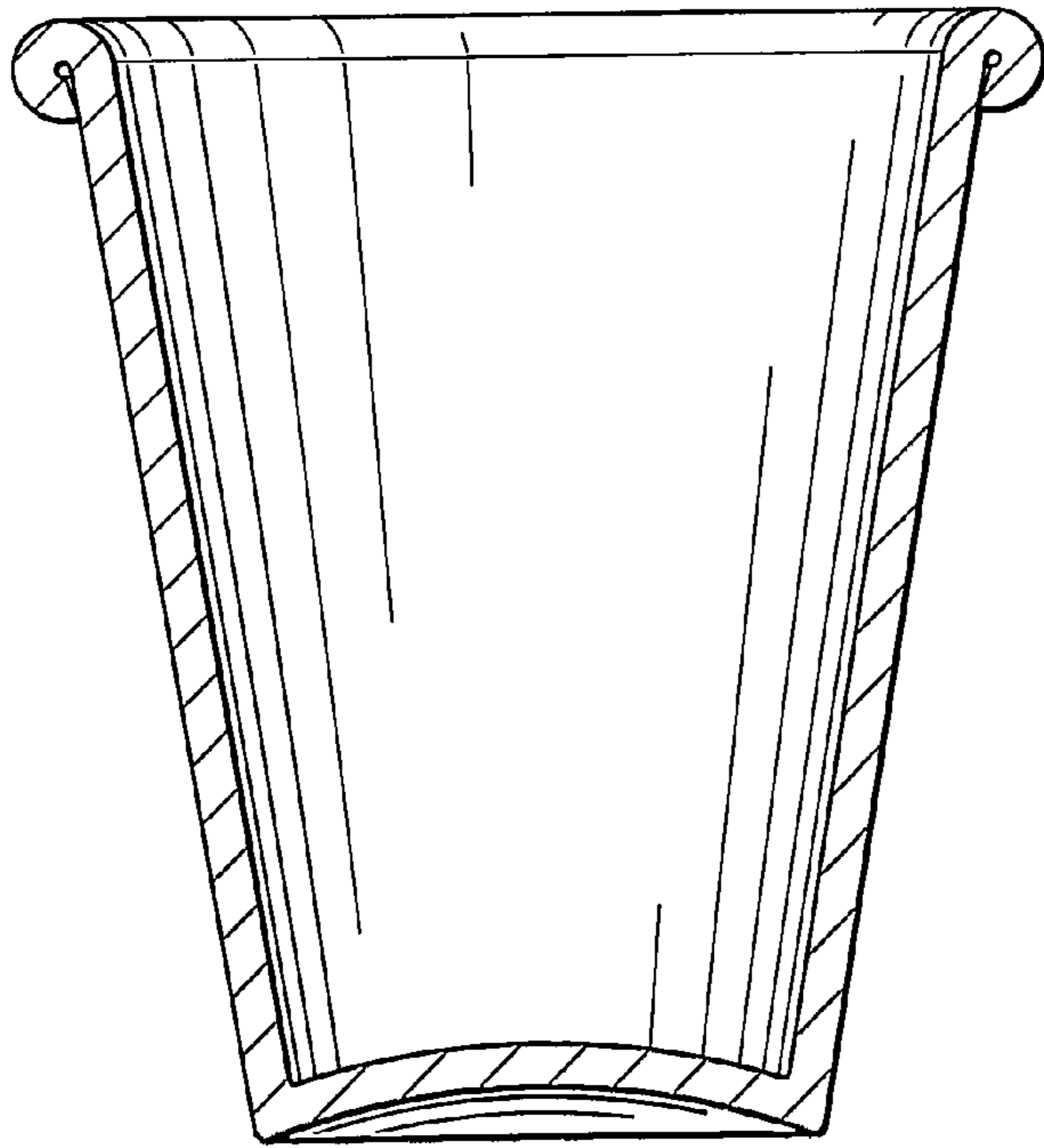
*Fig. 14*



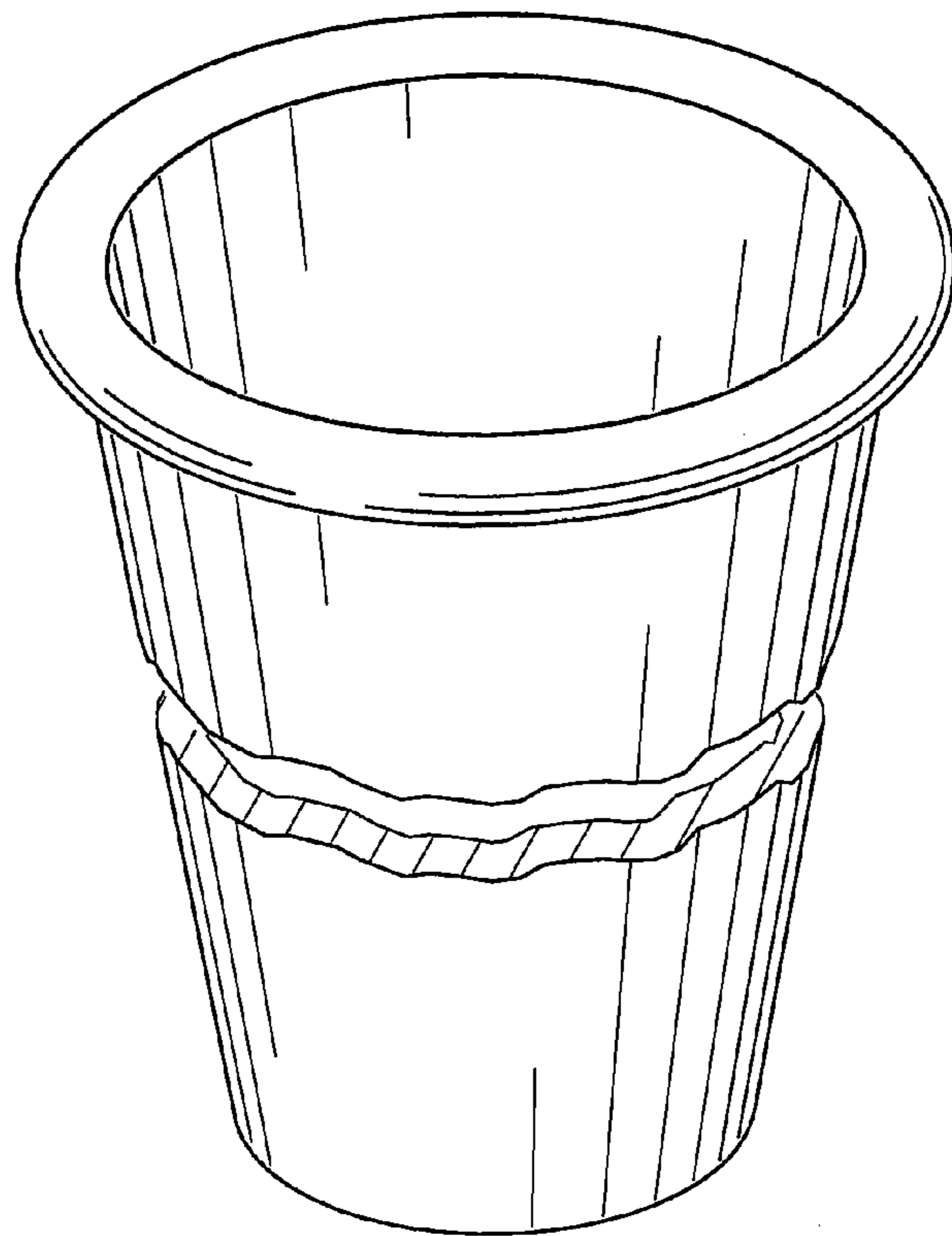
*Fig. 15*



*Fig. 16*



*Fig. 17*



*Fig. 18*