

US00D693643S

(12) **United States Design Patent**
Moon et al.

(10) **Patent No.:** **US D693,643 S**

(45) **Date of Patent:** **** *Nov. 19, 2013**

- (54) **POWER HEAD FOR A PORTABLE COUNTERTOP ELECTRIC OVEN**
- (75) Inventors: **Jung S. Moon**, Buffalo Grove, IL (US);
Gene H. Kim, Grayslake, IL (US);
Mikale K. Kwon, Glenview, IL (US);
Charles Choi, Chicago, IL (US); **Mark R. Pavel**, Downers Grove, IL (US)

4,188,520 A	2/1980	Dills
4,198,040 A	4/1980	Colasent
4,210,072 A	7/1980	Pedrini
4,350,874 A	9/1982	Nishikawa
4,476,848 A	10/1984	Protas
4,625,097 A	11/1986	Miwa

(Continued)

- (73) Assignee: **Hearthware Inc.**, Libertyville, IL (US)
- (*) Notice: This patent is subject to a terminal disclaimer.

FOREIGN PATENT DOCUMENTS

KR	1996-0002662	3/1996
WO	WO-2009-070338	4/2009
WO	WO-2009-070338 A1	6/2009
WO	WO 2011/113046 A1	9/2011

(**) Term: **14 Years**

OTHER PUBLICATIONS

(21) Appl. No.: **29/357,548**

DI 172—Morningware’s Opposition to Hearthware’s Motion for Reconsideration, Mar. 17, 2011.

(22) Filed: **Mar. 12, 2010**

(Continued)

(51) **LOC (9) Cl.** **07-02**

Primary Examiner — Ruth McInroy

(52) **U.S. Cl.**
USPC **D7/402**

(74) *Attorney, Agent, or Firm* — Ralph P. Albrecht; ATFirm PLLC

(58) **Field of Classification Search**
USPC D7/350.1, 350.3, 350.4, 402–403, 355;
126/19 M, 275 E, 21 A; 99/474, 330,
99/476; 219/386, 403, 407, 415, 438, 400,
219/391, 432, 402, 494, 411, 490

(57) **CLAIM**

We claim the ornamental design for a power head for a portable countertop electric oven, as shown and described.

See application file for complete search history.

DESCRIPTION

(56) **References Cited**

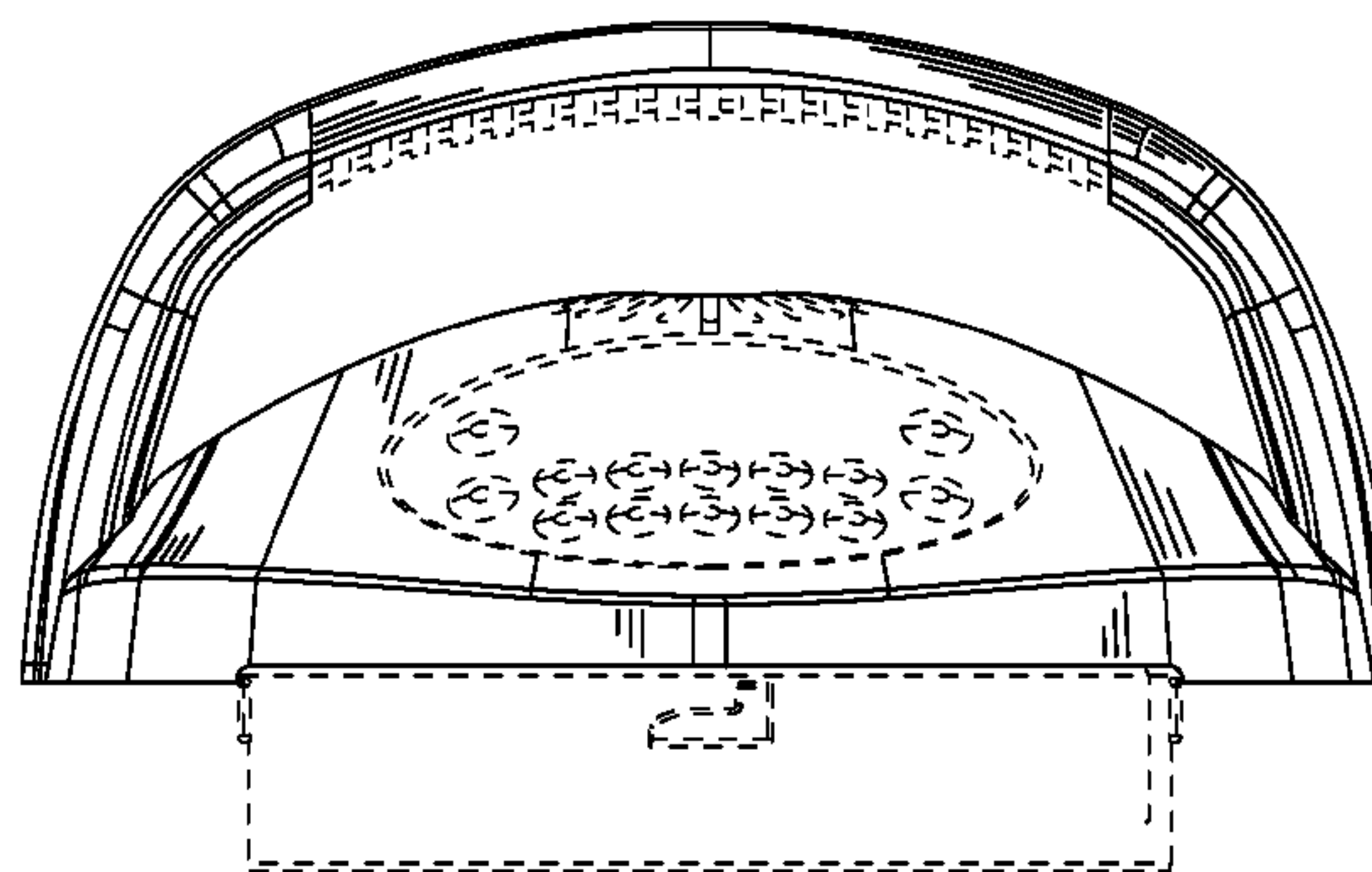
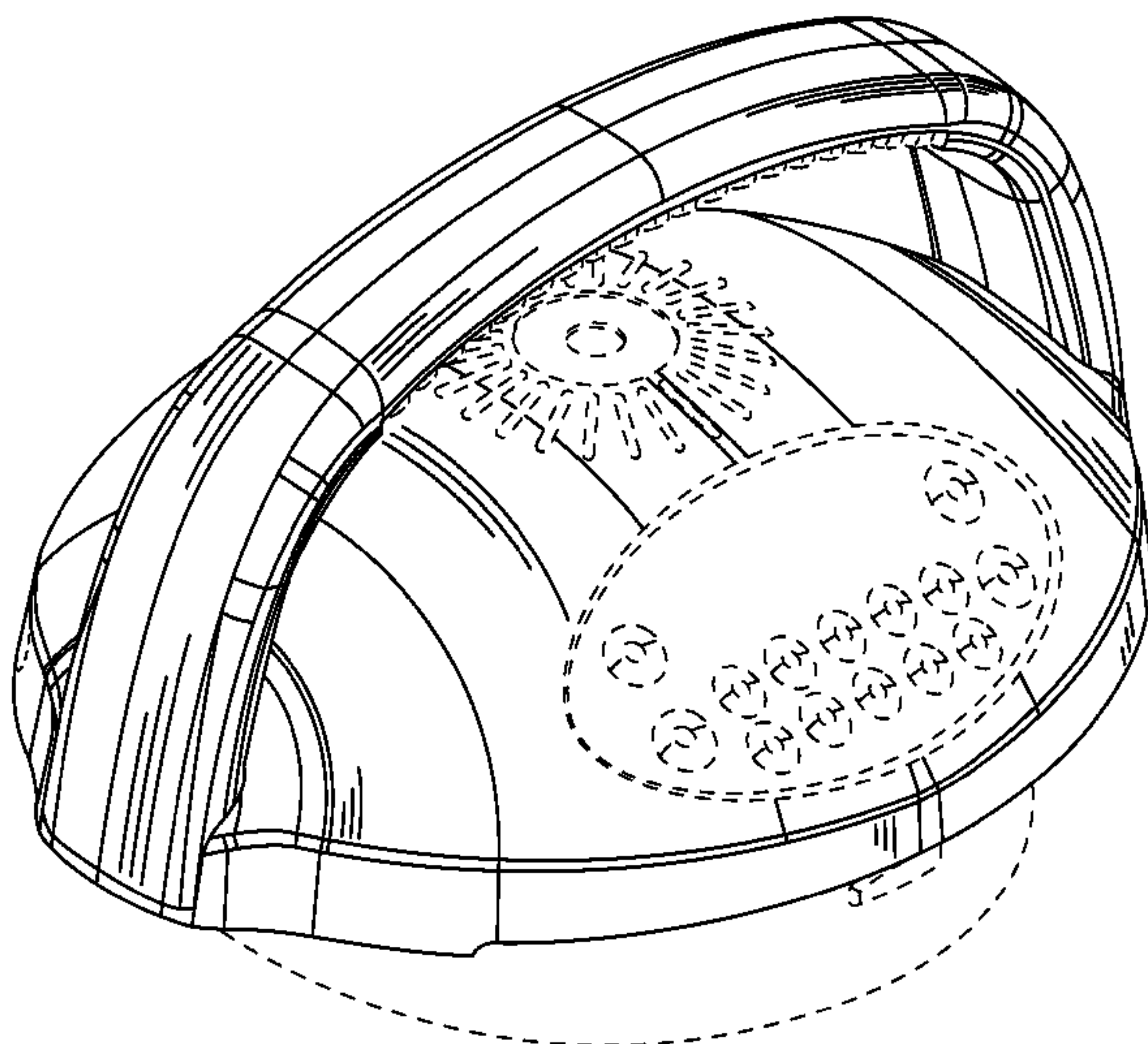
U.S. PATENT DOCUMENTS

2,274,325 A	2/1942	Ford
D133,344 S	8/1942	Austin
2,654,824 A	10/1953	Schroeder
2,848,592 A	8/1958	Mergen
2,864,932 A	12/1958	Forrer
2,893,307 A	7/1959	Rodriguez
3,281,575 A	10/1966	Ferguson, Jr.
D212,820 S	11/1968	Benes
3,851,639 A	12/1974	Beddoe
3,882,767 A	5/1975	Oyler et al.

FIG. 1 is a perspective view of a power head for a portable countertop electric oven showing our new design;
FIG. 2 is a front view thereof;
FIG. 3 is a rear view thereof;
FIG. 4 is a right side view thereof;
FIG. 5 is a left side view thereof;
FIG. 6 is a top view thereof; and,
FIG. 7 is a bottom thereof.

The dashed lines in various figures are for illustrative purposes only and form no part of the claimed design.

1 Claim, 4 Drawing Sheets



(56)

References Cited

U.S. PATENT DOCUMENTS

4,629,850 A 12/1986 Tanabe
 4,629,865 A 12/1986 Freedman
 4,663,517 A 5/1987 Huff et al.
 D293,539 S 1/1988 Nishikawa
 4,756,091 A 7/1988 Van Denend
 4,817,509 A 4/1989 Erickson
 D302,095 S * 7/1989 Nishikawa D7/350.3
 D302,642 S * 8/1989 Nishikawa D7/350.3
 4,870,255 A 9/1989 Fujii
 4,913,047 A 4/1990 Burley
 D313,679 S 1/1991 Sakamoto
 5,045,671 A 9/1991 Kanaya et al.
 D321,109 S * 10/1991 Erickson et al. D7/350.3
 D321,110 S * 10/1991 Worrell et al. D7/350.3
 5,097,112 A 3/1992 Kanaya et al.
 5,107,097 A 4/1992 Negandhi et al.
 D328,834 S * 8/1992 Chang D7/350.3
 D329,163 S * 9/1992 Chang D7/350.3
 5,157,239 A 10/1992 Kanaya et al.
 5,165,328 A * 11/1992 Erickson et al. 99/330
 D334,864 S * 4/1993 Chang D7/350.3
 5,217,545 A 6/1993 Smith
 D344,873 S * 3/1994 Chang D7/402
 D347,140 S * 5/1994 Dornbush et al. D7/350.3
 5,329,919 A 7/1994 Chang
 5,338,616 A 8/1994 Ishii
 D350,449 S 9/1994 Kaneko
 D351,088 S * 10/1994 Hsiao D7/543
 D355,564 S * 2/1995 Dornbush et al. D7/350.3
 D357,383 S * 4/1995 Dornbush et al. D7/350.3
 5,403,607 A 4/1995 Erickson
 5,404,420 A 4/1995 Song
 5,416,950 A 5/1995 Dornbush
 D358,963 S 6/1995 Kaneko
 5,423,249 A 6/1995 Meyer
 D360,335 S * 7/1995 Chang D7/350.3
 5,437,108 A 8/1995 Alseth
 5,438,916 A 8/1995 Dornbush
 D364,308 S 11/1995 Chang
 5,465,651 A 11/1995 Erickson
 5,466,912 A * 11/1995 Dornbush et al. 219/400
 5,484,621 A 1/1996 Erickson
 5,485,780 A 1/1996 Koether et al.
 D367,396 S * 2/1996 Hsu D7/350.3
 D369,274 S 4/1996 Dornbush et al.
 D369,514 S 5/1996 Baldwin
 5,513,558 A 5/1996 Erickson
 5,520,096 A 5/1996 Dornbush
 5,534,681 A 7/1996 Hwang
 5,548,102 A 8/1996 Kwon
 5,598,769 A 2/1997 Luebke et al.
 5,676,044 A 10/1997 Lara
 5,699,722 A 12/1997 Erickson
 5,735,190 A 4/1998 Sham
 5,747,781 A 5/1998 Kim et al.
 5,793,023 A 8/1998 Hong et al.
 5,801,357 A 9/1998 Danen
 5,801,362 A 9/1998 Pearlman et al.
 5,845,563 A 12/1998 Haring
 5,877,477 A 3/1999 Petty
 5,878,508 A 3/1999 Knoll et al.
 5,880,436 A 3/1999 Keogh
 5,974,957 A 11/1999 Ysen
 D417,847 S 12/1999 Rush et al.
 6,018,146 A 1/2000 Uzgiris et al.
 D424,862 S 5/2000 Holbrook
 6,069,345 A 5/2000 Westerberg
 6,085,442 A 7/2000 Erickson
 6,093,918 A 7/2000 Sohn
 6,093,919 A 7/2000 Seo et al.
 6,127,666 A 10/2000 Sohn

6,172,347 B1 1/2001 Lee
 6,198,076 B1 3/2001 Moen
 6,201,217 B1 3/2001 Moon et al.
 6,255,630 B1 7/2001 Barnes et al.
 6,316,757 B1 11/2001 Kim et al.
 6,363,836 B1 4/2002 Usherovich
 6,448,540 B1 9/2002 Braunisch et al.
 6,502,265 B2 1/2003 Blair
 D469,657 S 2/2003 Becker
 6,521,870 B2 2/2003 Nolan et al.
 6,617,554 B2 9/2003 Moon
 D487,670 S 3/2004 Moon
 6,727,478 B2 4/2004 Rael
 6,730,880 B2 5/2004 Smith et al.
 D490,648 S 6/2004 Moon
 6,747,250 B1 * 6/2004 Cha 219/400
 6,809,301 B1 10/2004 McIntyre et al.
 6,917,016 B2 7/2005 Baecker et al.
 6,917,017 B2 * 7/2005 Moon et al. 219/400
 6,936,795 B1 * 8/2005 Moon et al. 219/400
 6,940,049 B2 9/2005 Harwell et al.
 6,967,314 B2 11/2005 Sauter et al.
 7,012,220 B2 3/2006 Boyer et al.
 7,021,203 B2 4/2006 Backus
 7,150,279 B2 12/2006 Cheng et al.
 7,159,510 B2 1/2007 LaMaster et al.
 7,225,729 B2 6/2007 Backus
 D553,913 S 10/2007 Jackson
 7,323,663 B2 1/2008 Cavada et al.
 7,348,521 B2 3/2008 Lee et al.
 7,360,533 B2 4/2008 McFadden
 7,479,006 B2 1/2009 Newsom
 7,487,716 B2 2/2009 Swank et al.
 7,619,186 B2 11/2009 Cavada et al.
 D641,585 S 7/2011 Cheng
 2002/0023545 A1 2/2002 Backus
 2002/0144607 A1 10/2002 Backus
 2003/0062360 A1 4/2003 Moon
 2003/0205569 A1 * 11/2003 Chang 219/400
 2005/0172835 A1 8/2005 LaMaster et al.
 2006/0144250 A1 7/2006 Backus
 2006/0225580 A1 10/2006 Fernandez
 2008/0190911 A1 8/2008 Adamski
 2009/0025248 A1 1/2009 Lannon
 2009/0139981 A1 6/2009 Moon

OTHER PUBLICATIONS

Hearthware's LPR 2.2 Initial Infringement Contentions—Oct. 28, 2009.
 Hearthware's initial Response to Invalidity Contentions Pursuant to LPR 2.5—Jan. 22, 2010.
 DI 125 and DI 125a—Morningware's Supplemental Answer to Hearthware's First Amended Counterclaims and Exhibit—Apr. 29, 2010.
 Memorandum In Support of Morningware's Motion to Strike Hearthware Home Product's LPR 3.1 Final Infringement Contentions And Dismiss Hearthware's Infringement Claims—Jul. 21, 2010.
 Hearthware's Opposition to Morningware's Motion To Strike Hearthware's LPR 3.1 Final Infringement Contentions—Aug. 16, 2010.
 Morningware's Reply to Hearthware's Opposition to Morningware's Motion To Strike Hearthware's LPR 3.1 Final Infringement Contentions—Aug. 30, 2010.
 Hearthware's Response to Morningware's Invalidity Contentions Pursuant to LPR 3.2—Aug. 3, 2010.
 Hearthware's Claim Construction Brief Under LPR 4.2 and Appendix E—Oct. 20, 2010.
 DI 144—Plaintiff's Counterdefendant Morningware, Inc.'s Reply Claim Construction Brief on U.S. Patent No. 6,201,217 Pursuant to LPR 4.2(D)—Nov. 3, 2010.

* cited by examiner

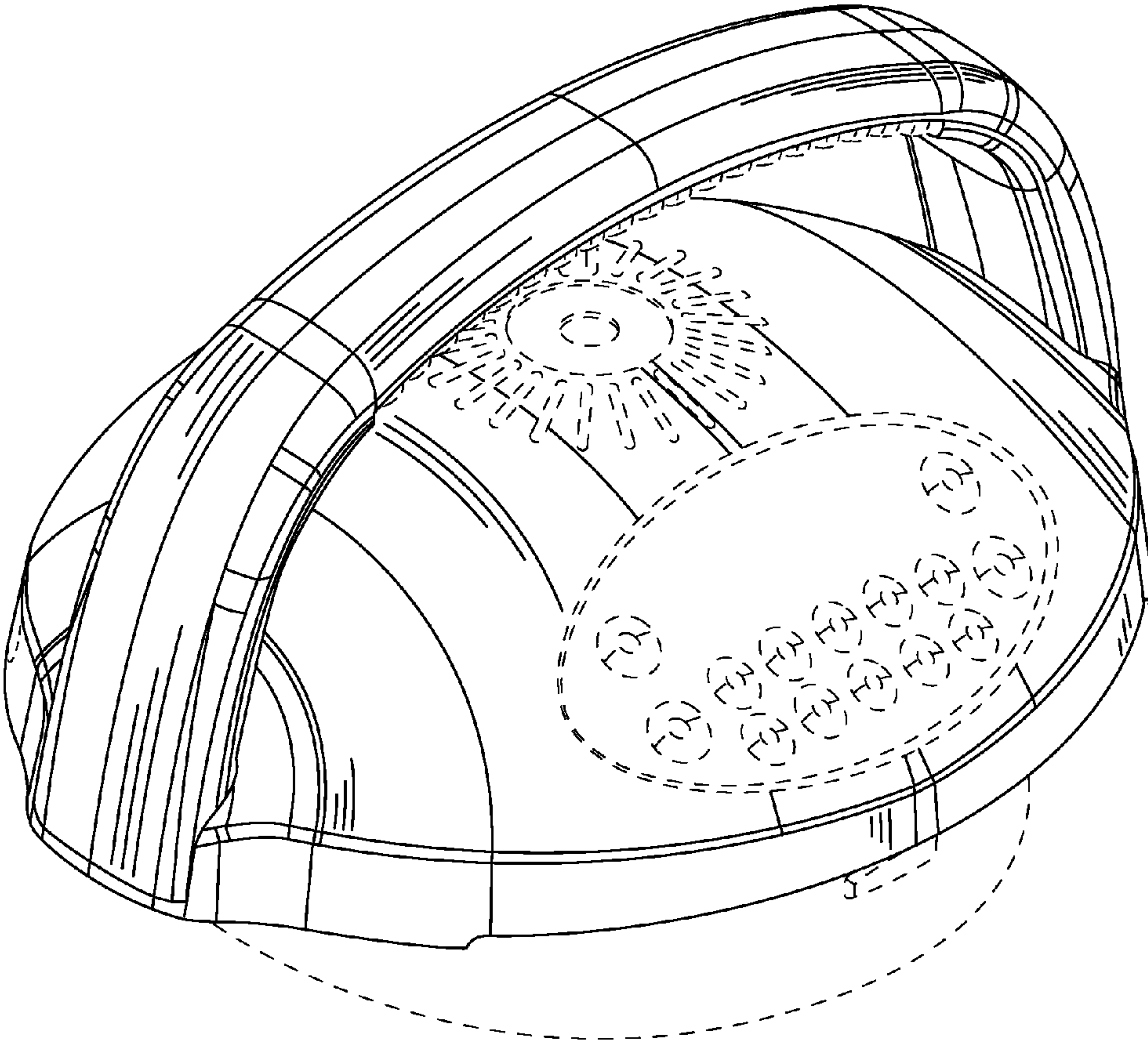


FIG. 1

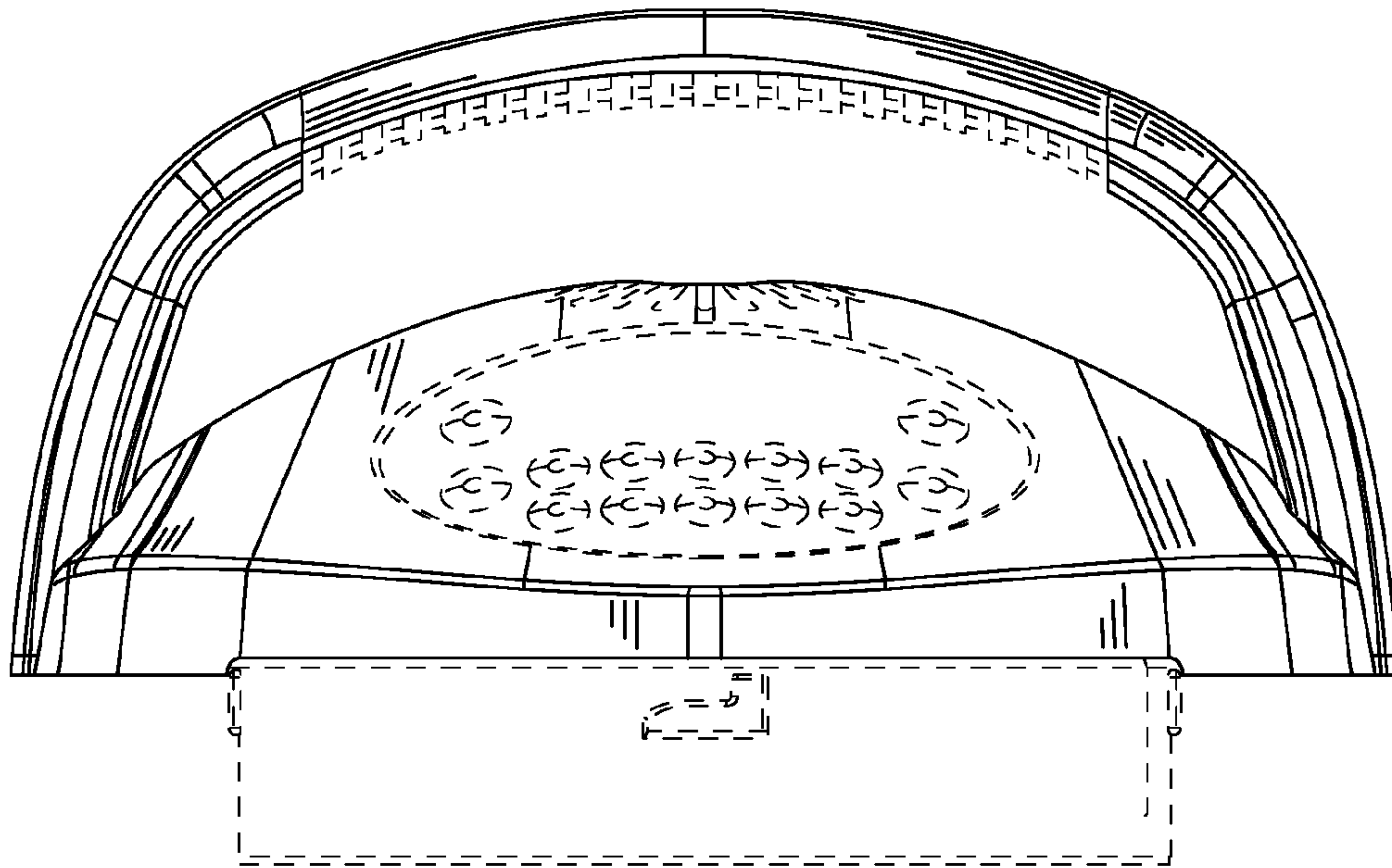


FIG. 2

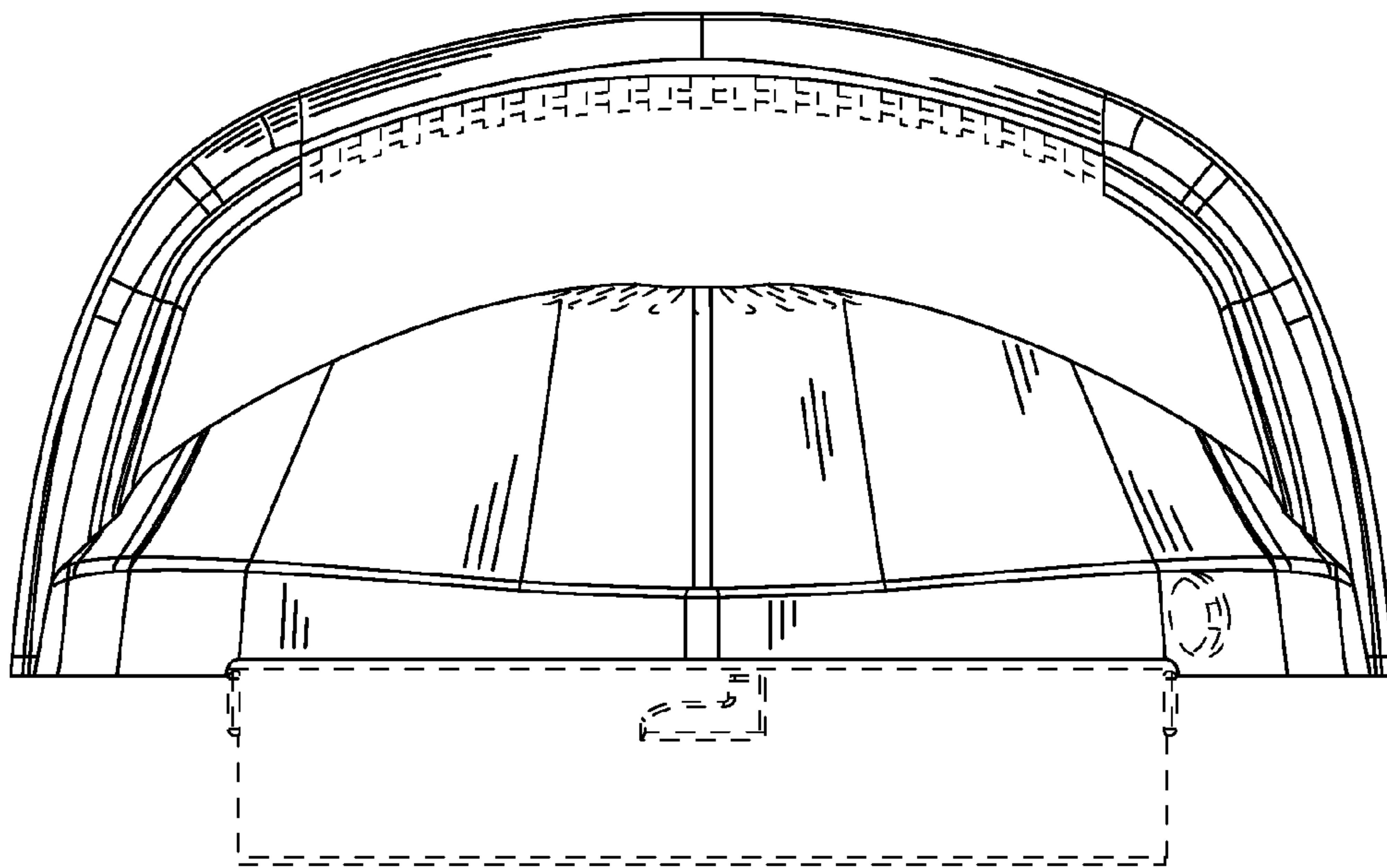


FIG. 3

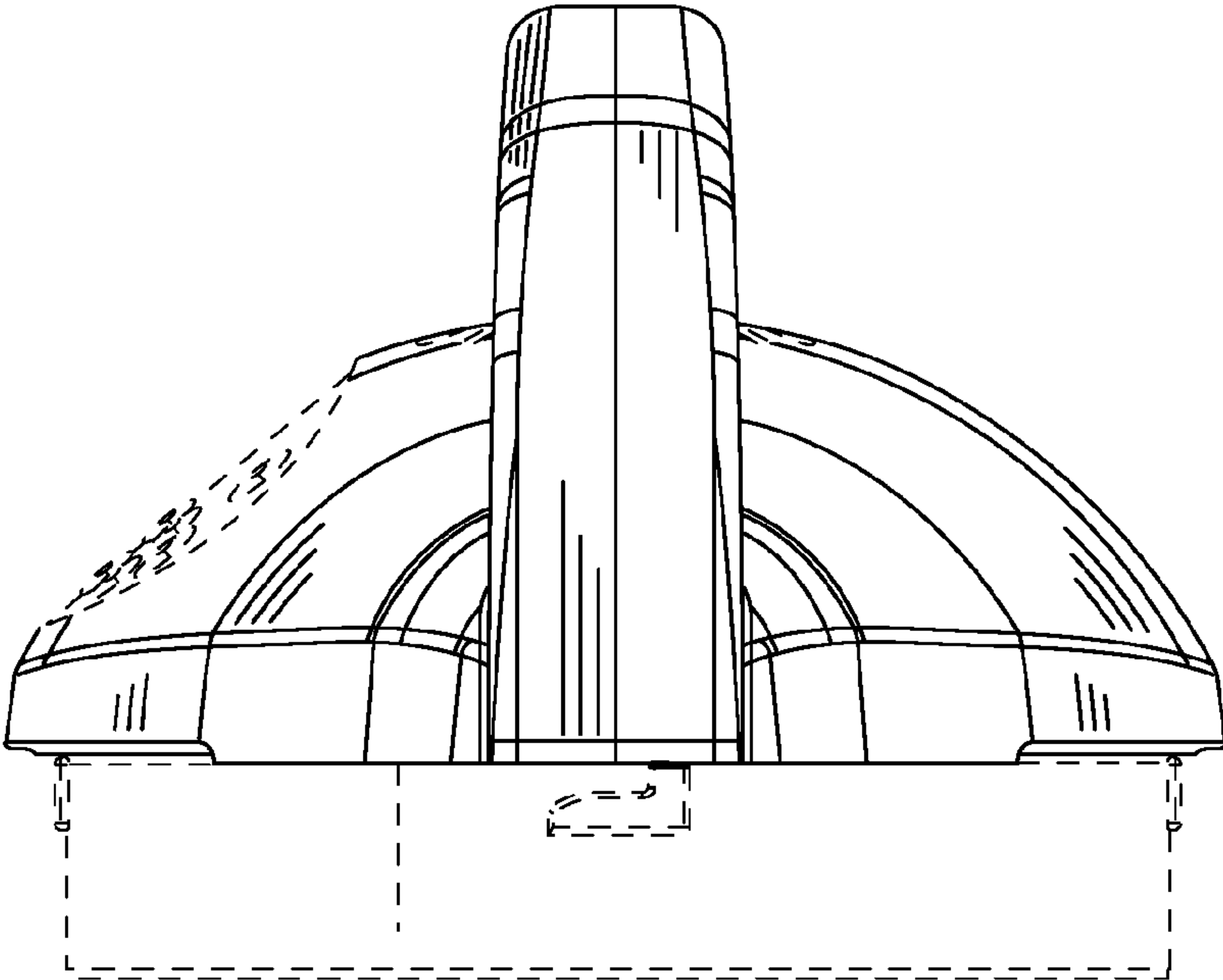


FIG. 4

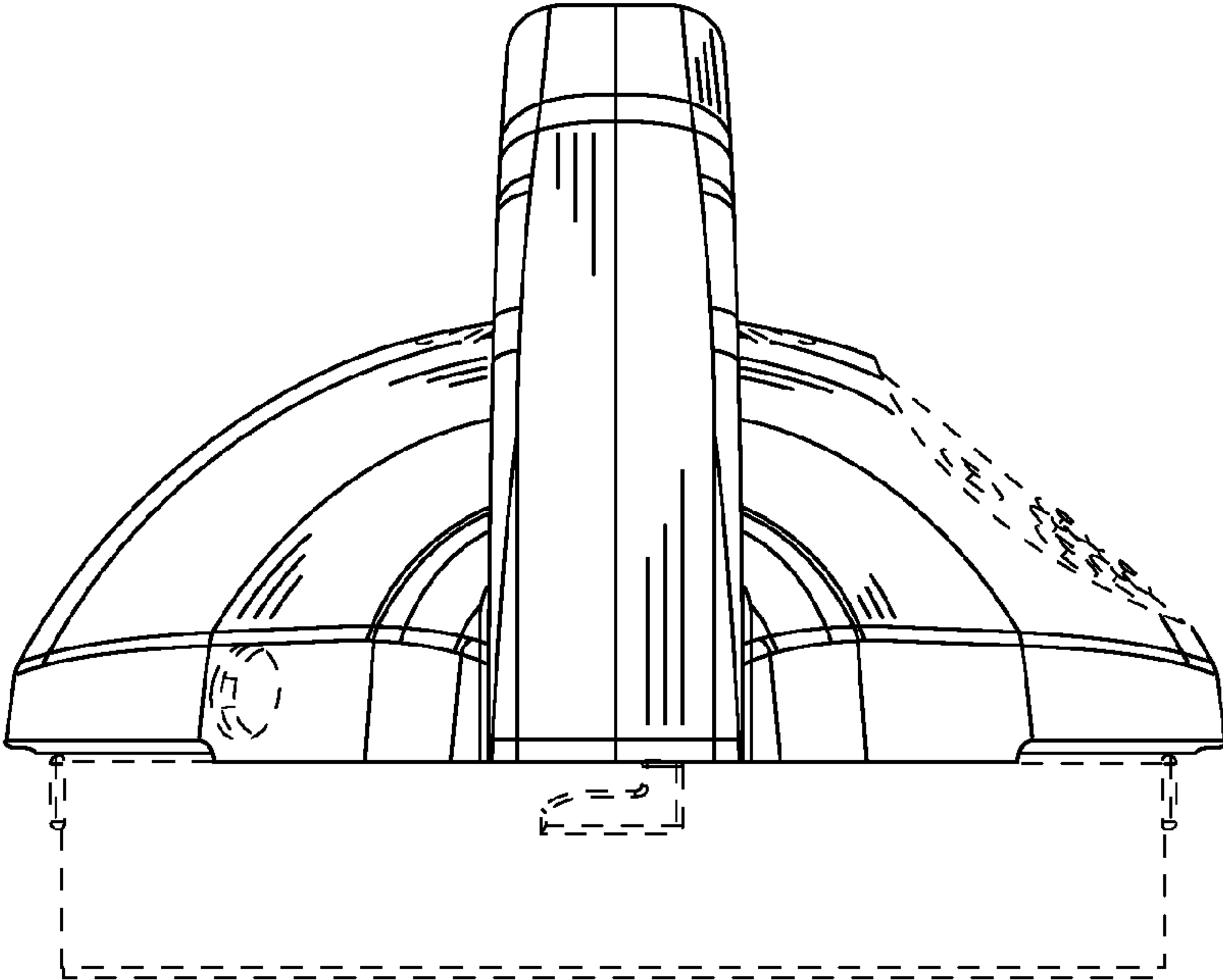


FIG. 5

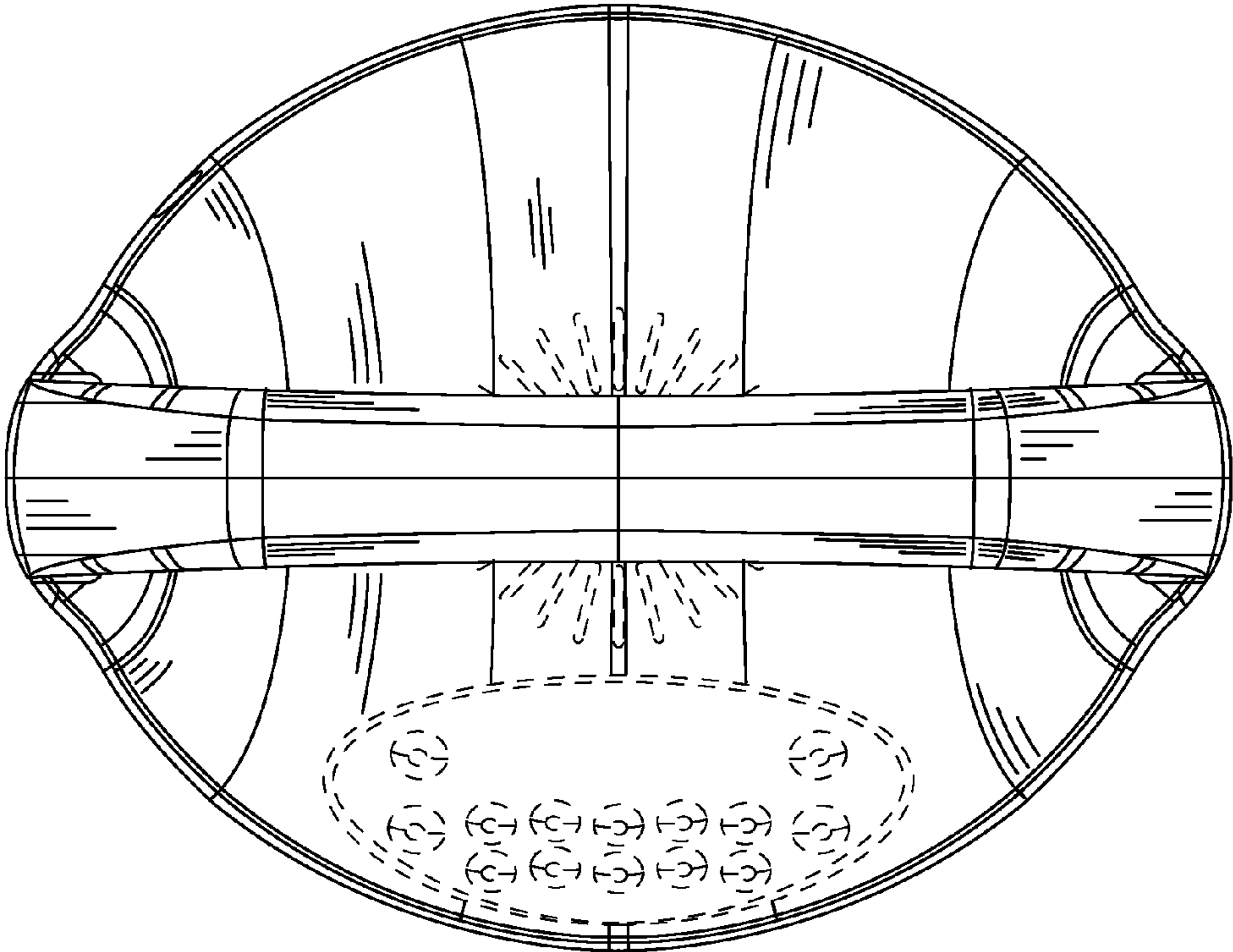


FIG. 6

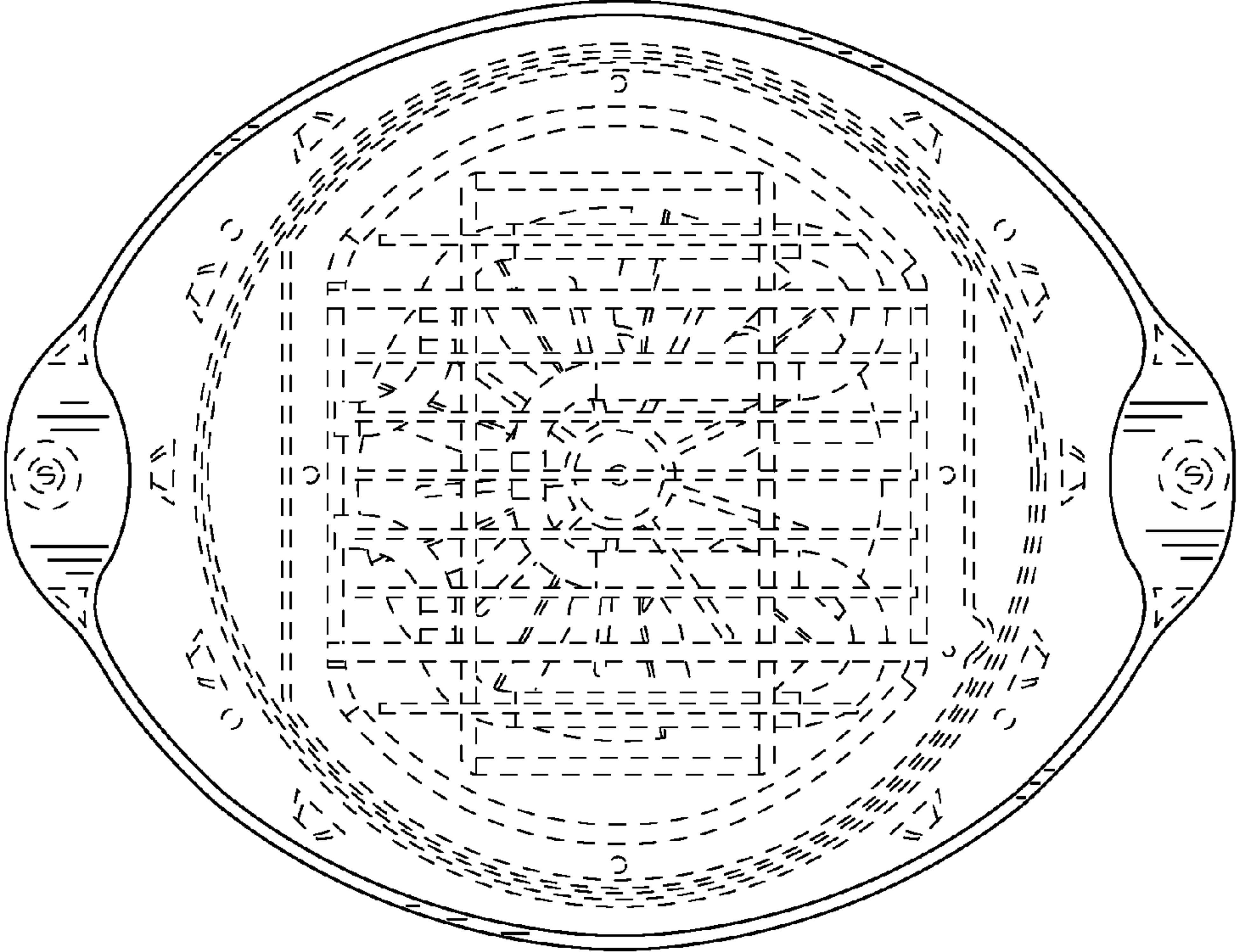


FIG. 7