

US00D693638S

(12) **United States Design Patent**
Sweet et al.

(10) **Patent No.:** **US D693,638 S**

(45) **Date of Patent:** **** Nov. 19, 2013**

(54) **EXTENDING COOKWARE HANDLE**

(71) Applicant: **Williams-Sonoma, Inc.**, San Francisco, CA (US)

(72) Inventors: **Kenneth Sweet**, San Francisco, CA (US); **Tim Tan**, San Francisco, CA (US); **Victoria Slaker**, San Francisco, CA (US)

(73) Assignee: **Williams-Sonoma, Inc.**, San Francisco, CA (US)

(**) Term: **14 Years**

(21) Appl. No.: **29/443,771**

(22) Filed: **Jan. 22, 2013**

(30) **Foreign Application Priority Data**

Jul. 20, 2012 (AU) 2012/13437

(51) **LOC (9) Cl.** **07-02**

(52) **U.S. Cl.**
USPC **D7/395**

(58) **Field of Classification Search**

USPC D7/354-361, 393-395, 401.2, 664;
D8/107, 300, 303, 307, 313, 321;
D4/138, 129; 16/421, 430, 431, 110.1,
16/407; 220/573.1-573.5, 752, 753, 755,
220/756, 759, 767, 771, 912

See application file for complete search history.

(56) **References Cited**

U.S. PATENT DOCUMENTS

D477,966	S	*	8/2003	Burton et al.	D7/395
D477,967	S	*	8/2003	Burton et al.	D7/395
D479,434	S	*	9/2003	Lin	D7/395
D560,427	S	*	1/2008	Prakasa	D7/395
D617,140	S	*	6/2010	Rae	D7/395
D651,451	S	*	1/2012	Rae	D7/395
D658,004	S	*	4/2012	Rae	D7/395
D682,022	S	*	5/2013	Rae	D7/395

* cited by examiner

Primary Examiner — Cynthia M Chin

(74) *Attorney, Agent, or Firm* — R. Blake Johnston, Esq.;
DLA Piper LLP US

(57) **CLAIM**

The ornamental design for an extending cookware handle, as shown and described.

DESCRIPTION

FIG. 1 is a perspective view of the extending cookware handle;

FIG. 2 is a left side elevational view of the extending cookware handle, the opposite side of which is a mirror image;

FIG. 3 is a top plan view of the extending cookware handle;

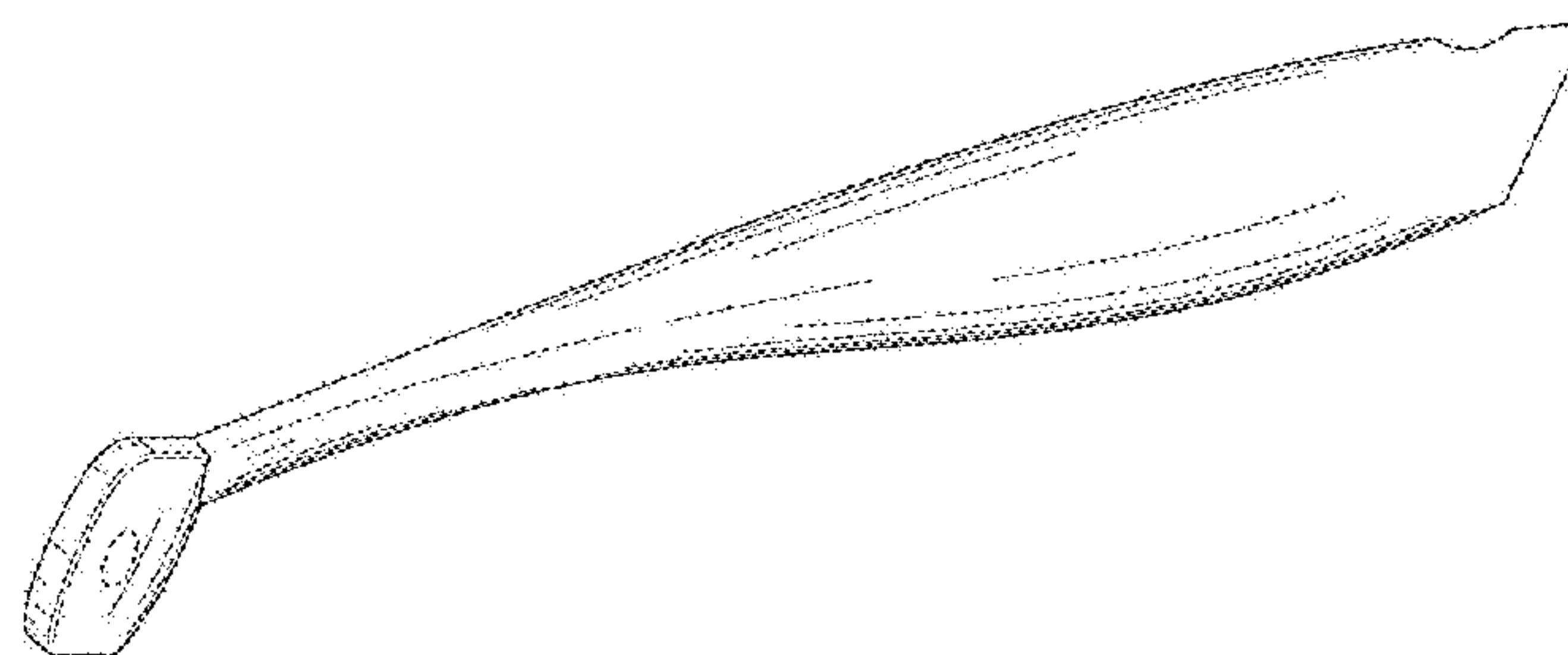
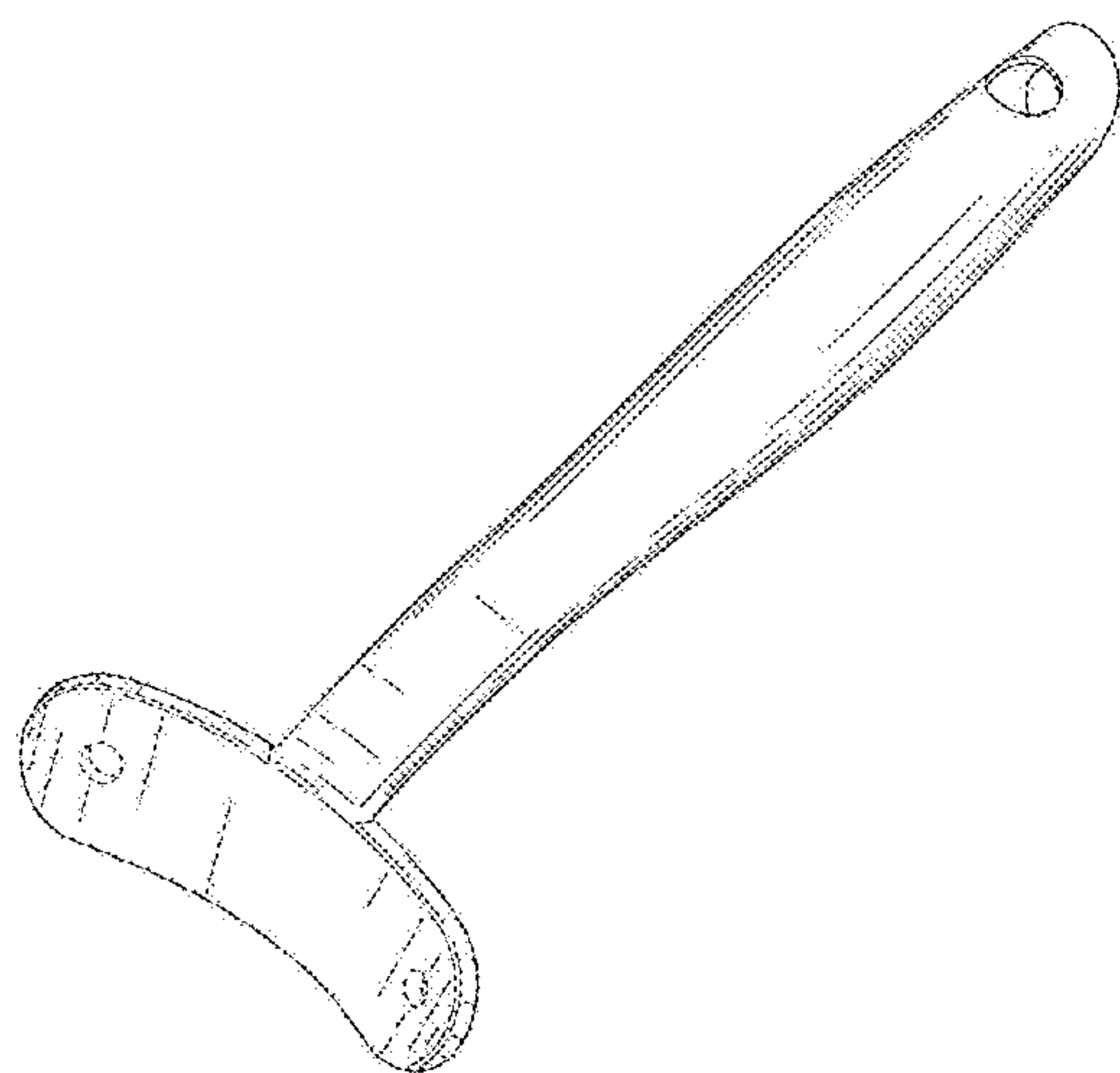
FIG. 4 is a bottom plan view of the extending cookware handle;

FIG. 5 is a front elevational view of the extending cookware handle; and,

FIG. 6 is a rear elevational view of the extending cookware handle.

The broken lines shown are included for the purpose of illustrating the unclaimed portions of the article and form no part of the claimed design.

1 Claim, 3 Drawing Sheets



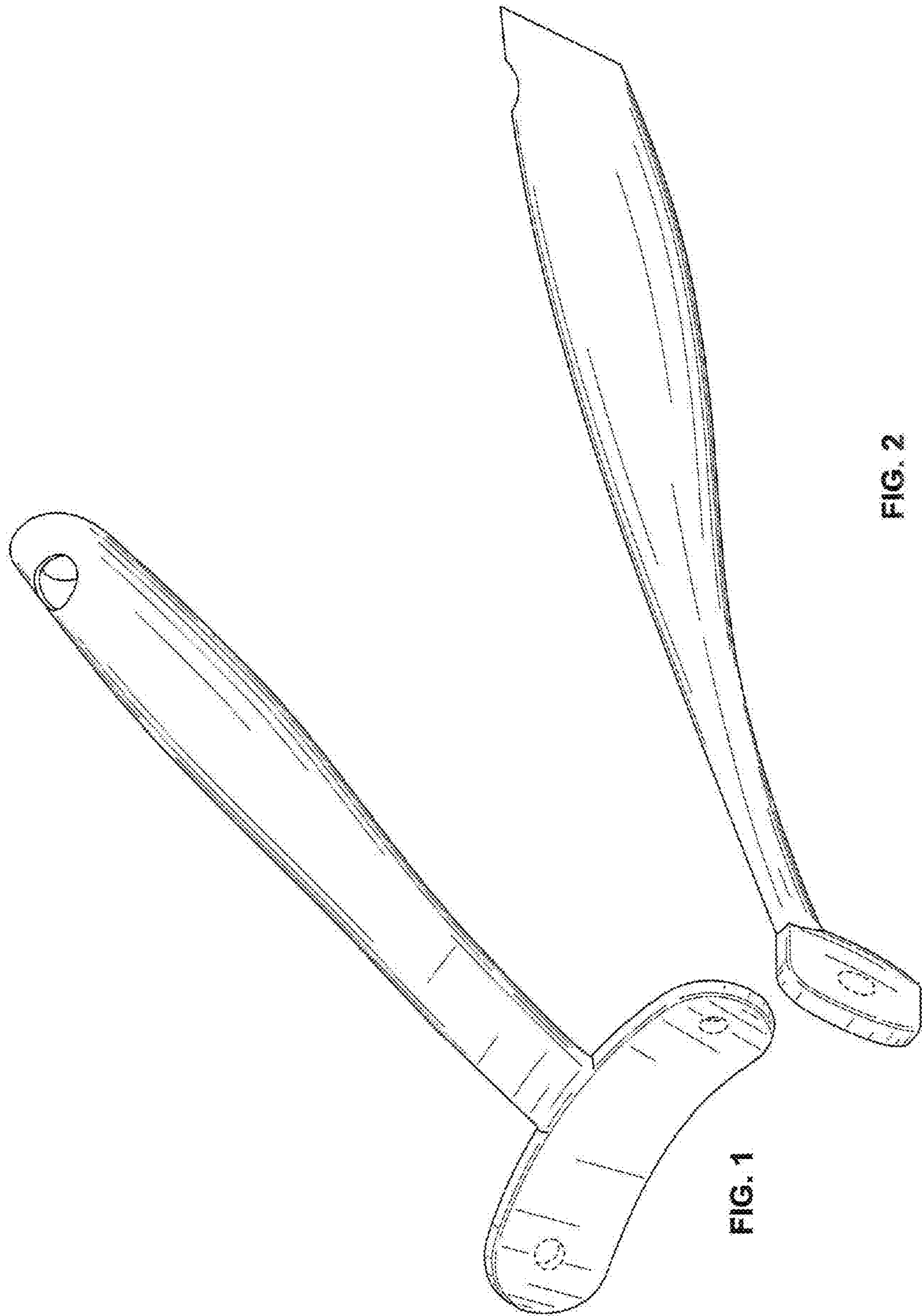


FIG. 1

FIG. 2

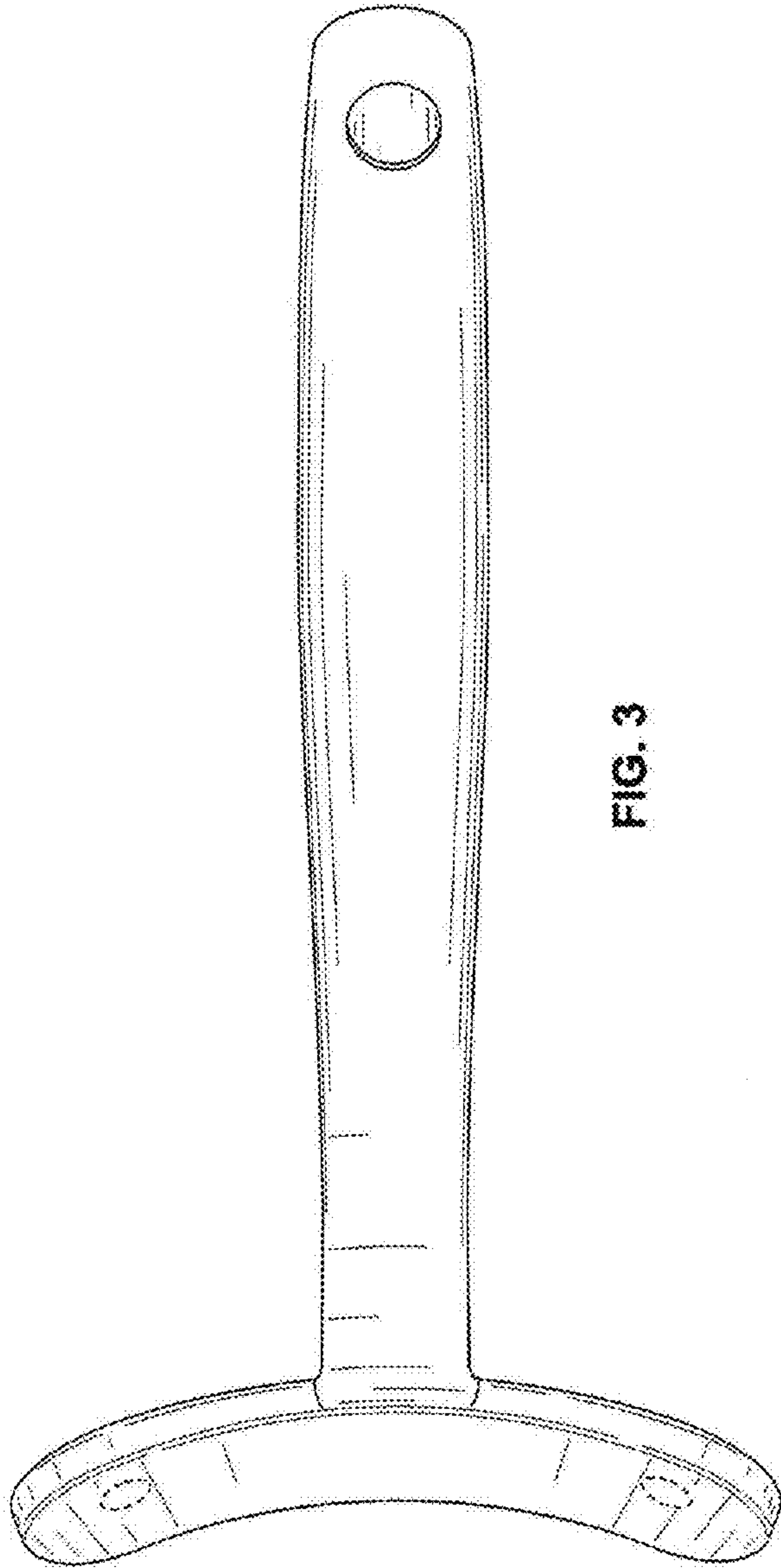


FIG. 3

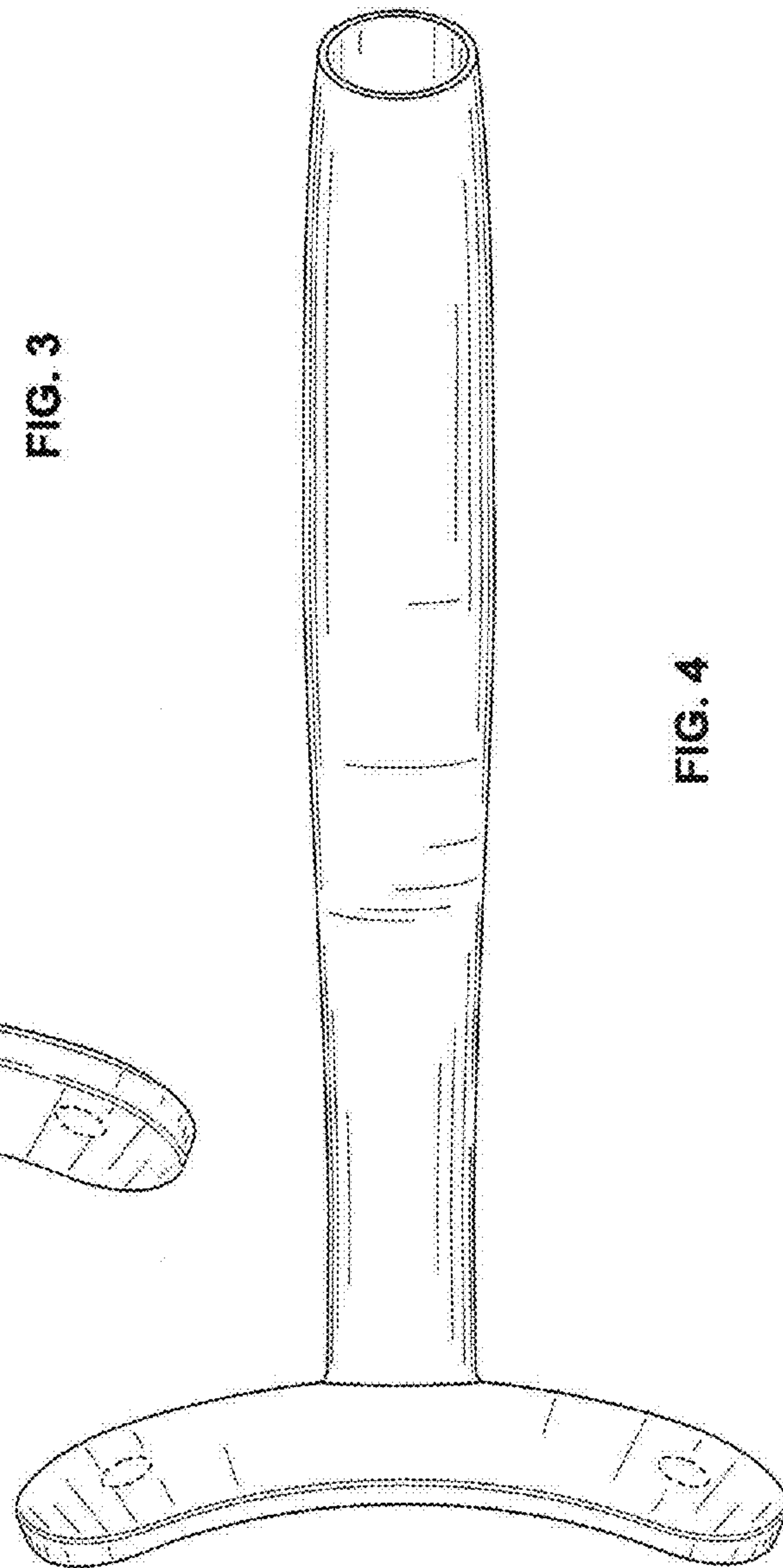


FIG. 4

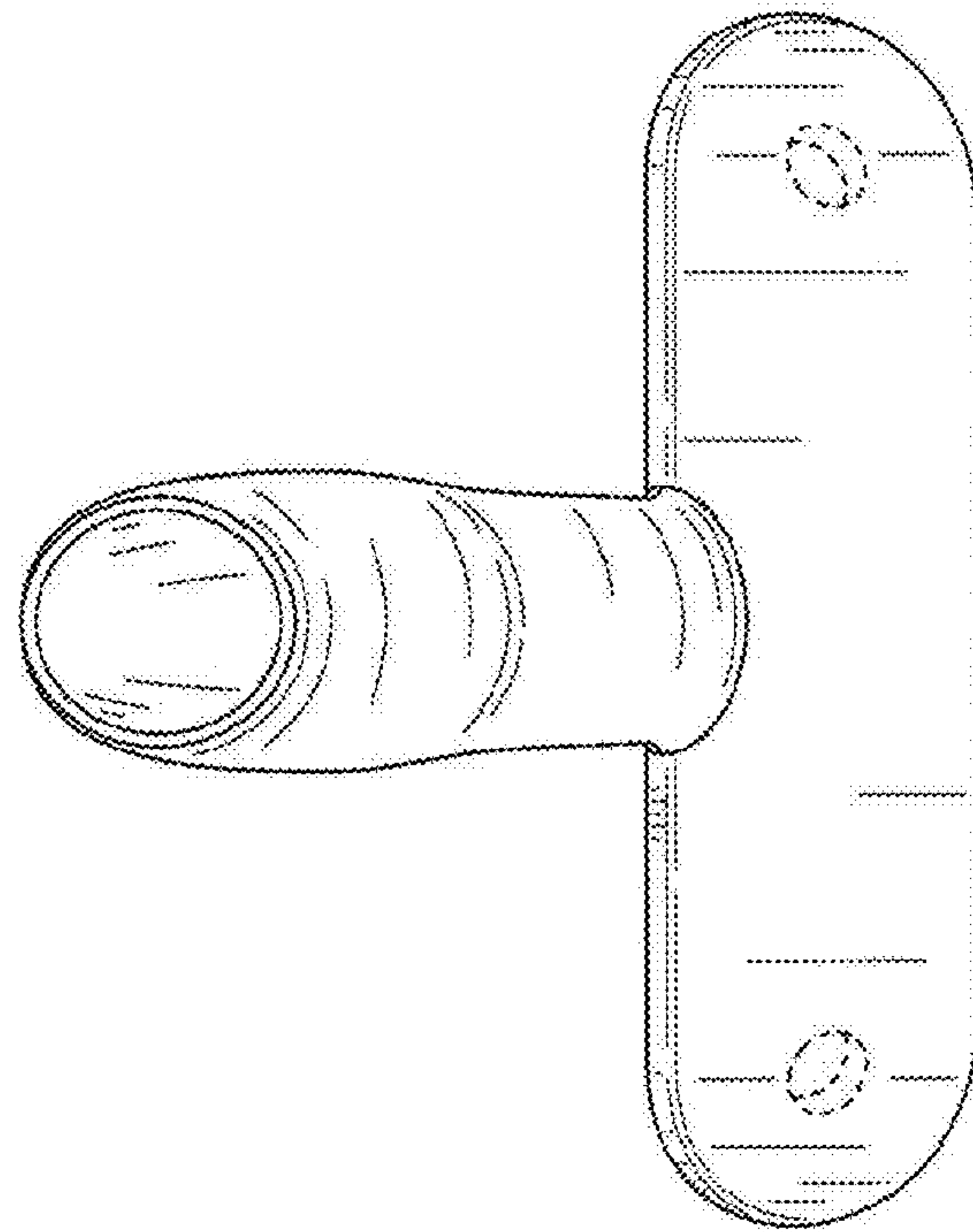


FIG. 6

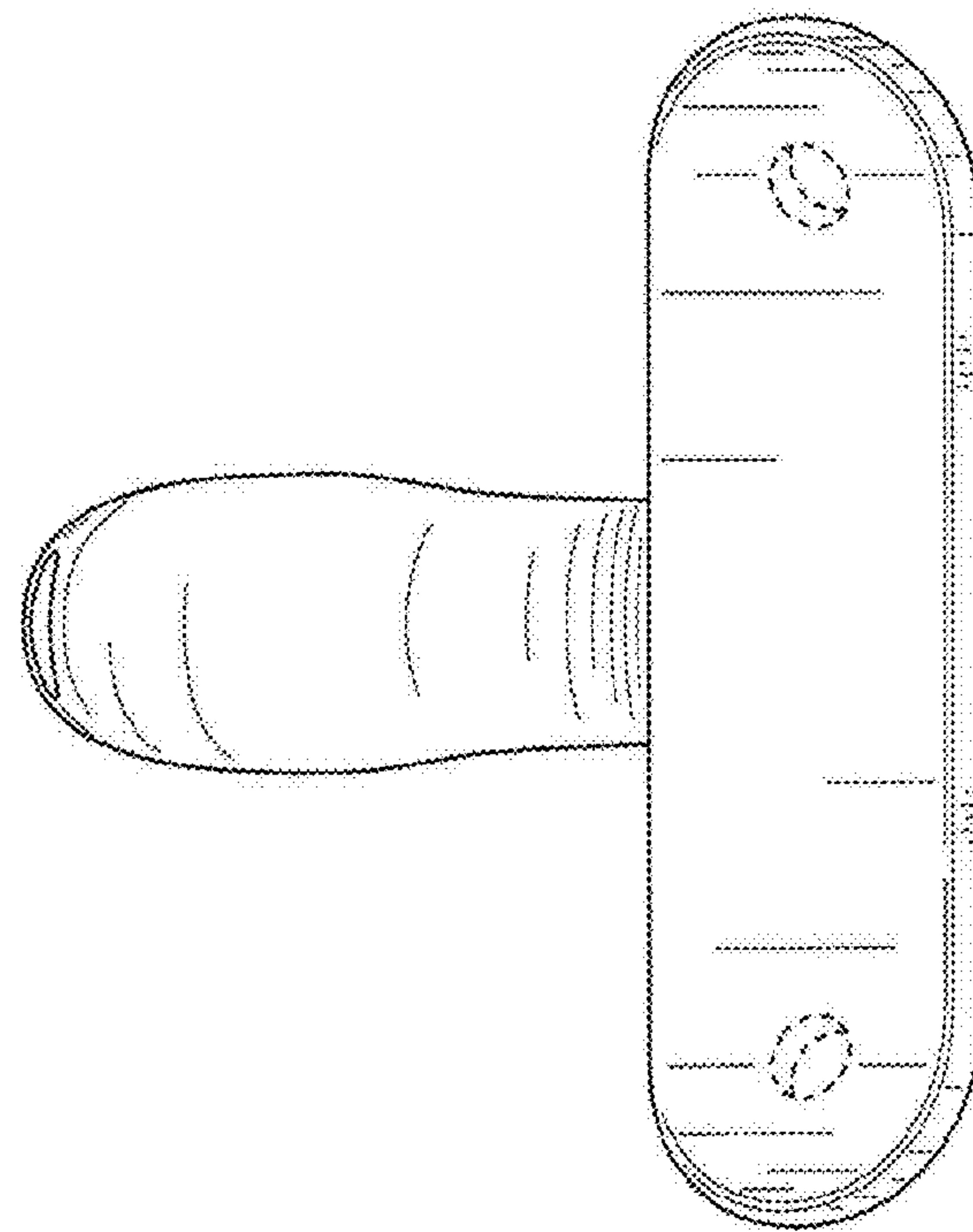


FIG. 5