

US00D693631S

(12) **United States Design Patent**  
**Dolvin**

(10) **Patent No.:** **US D693,631 S**

(45) **Date of Patent:** **\*\* Nov. 19, 2013**

(54) **MOTORCYCLE HANDLE FOR A DRINKING CUP**

D531,449 S \* 11/2006 Ranzoni ..... D7/393  
D532,671 S \* 11/2006 Skillas ..... D8/107  
D534,763 S \* 1/2007 Ranzoni ..... D7/393  
D602,741 S \* 10/2009 Xiurong et al. .... D7/510

(71) Applicant: **John Thomas Dolvin**, Delray Beach, FL  
(US)

\* cited by examiner

(72) Inventor: **John Thomas Dolvin**, Delray Beach, FL  
(US)

*Primary Examiner* — Cynthia M Chin

(74) *Attorney, Agent, or Firm* — John C. Smith

(\*\*) Term: **14 Years**

(57) **CLAIM**

(21) Appl. No.: **29/434,048**

The ornamental design for a motorcycle handle for a drinking cup, as shown and described.

(22) Filed: **Oct. 9, 2012**

**DESCRIPTION**

(51) **LOC (9) Cl.** ..... **07-02**

(52) **U.S. Cl.**  
USPC ..... **D7/393**

(58) **Field of Classification Search**  
USPC ..... D7/318, 354–361, 393–397, 401.2, 510,  
D7/514–516, 533, 536, 605, 622, 623;  
D8/107, 307; D4/129, 138; 16/430,  
16/431, 110.1, 407; 220/574, 729, 755,  
220/756

FIG. 1 is a left side perspective view of a motorcycle handle for a drinking cup.

FIG. 2 is a right side view of a motorcycle handle for a drinking cup.

FIG. 3 is a front view of a motorcycle handle for a drinking cup.

FIG. 4 is a bottom view of a motorcycle handle for a drinking cup.

See application file for complete search history.

FIG. 5 is a top view of a motorcycle handle for a drinking cup; and,

FIG. 6 is a left side view of an alternative embodiment of a motorcycle handle for a drinking cup in which the stem attaching the handle to the cup is shortened.

The broken lines represent the environment in which the article resides and forms no part of the claim.

(56) **References Cited**

U.S. PATENT DOCUMENTS

D139,489 S \* 11/1944 Moore ..... D7/393  
D155,439 S \* 10/1949 Muller-Munk ..... D7/393  
D465,719 S \* 11/2002 Ditzig et al. .... D8/321  
D523,318 S \* 6/2006 Hanna ..... D8/308

**1 Claim, 6 Drawing Sheets**

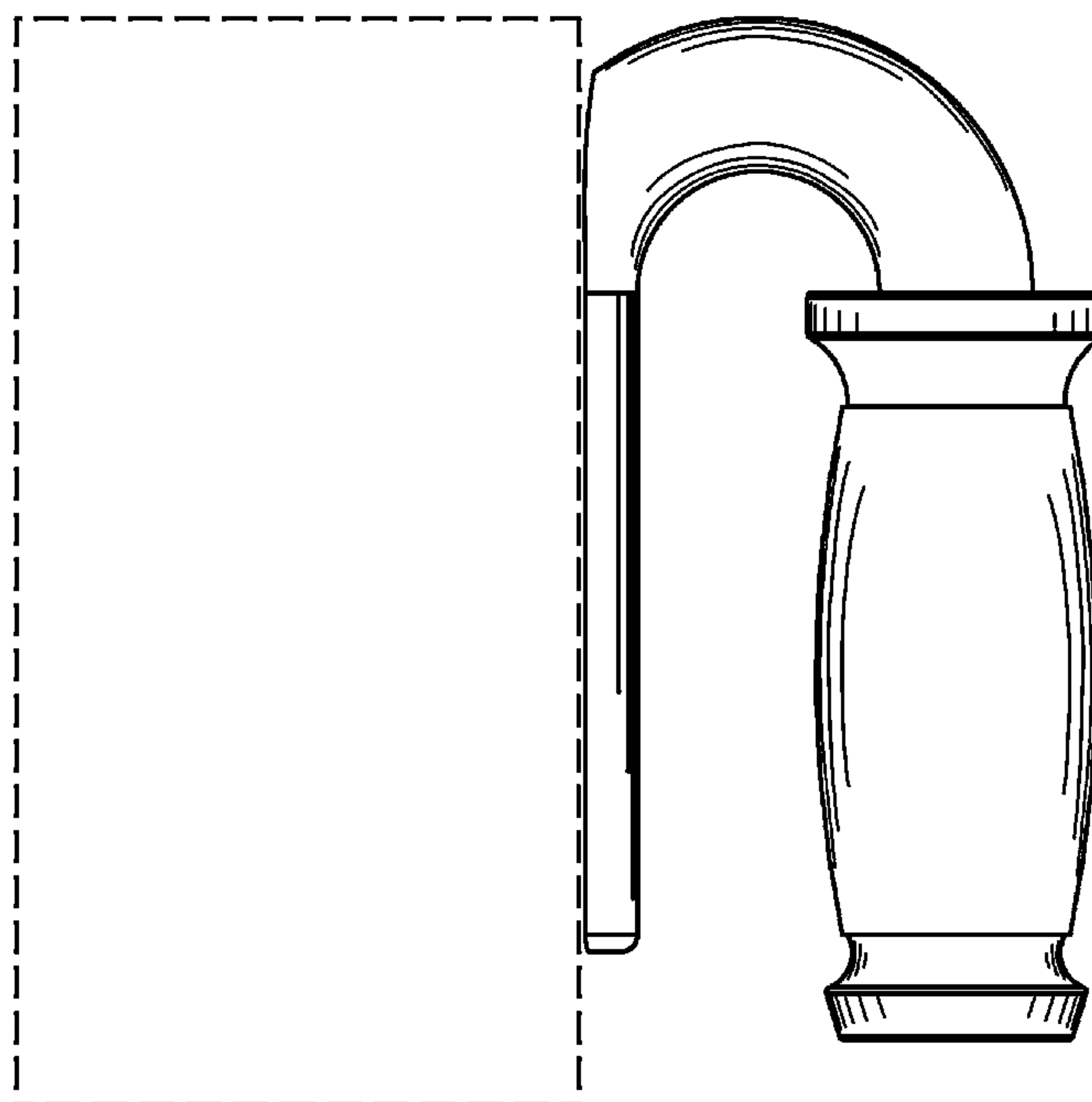


Figure 1

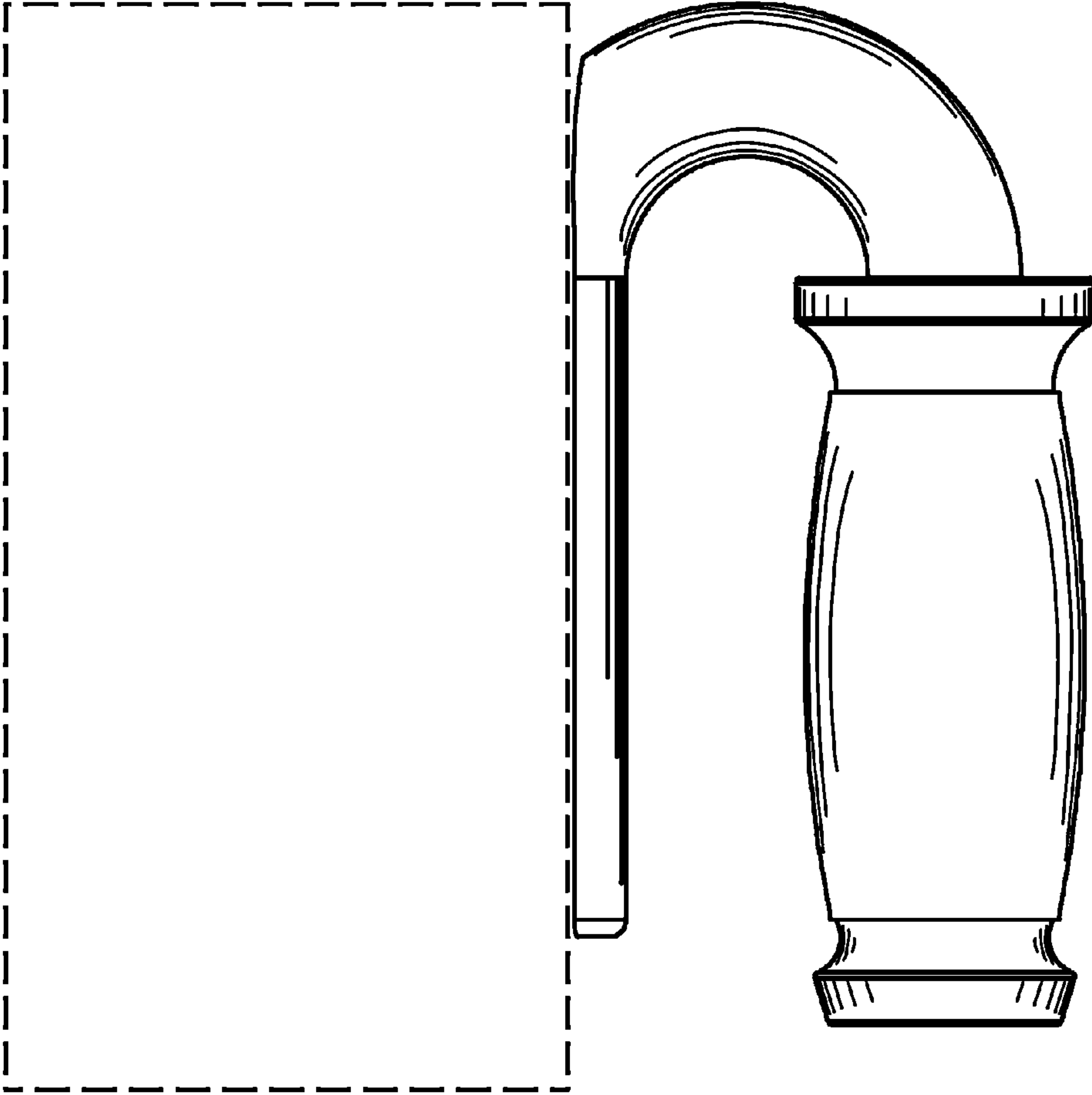


Figure 2

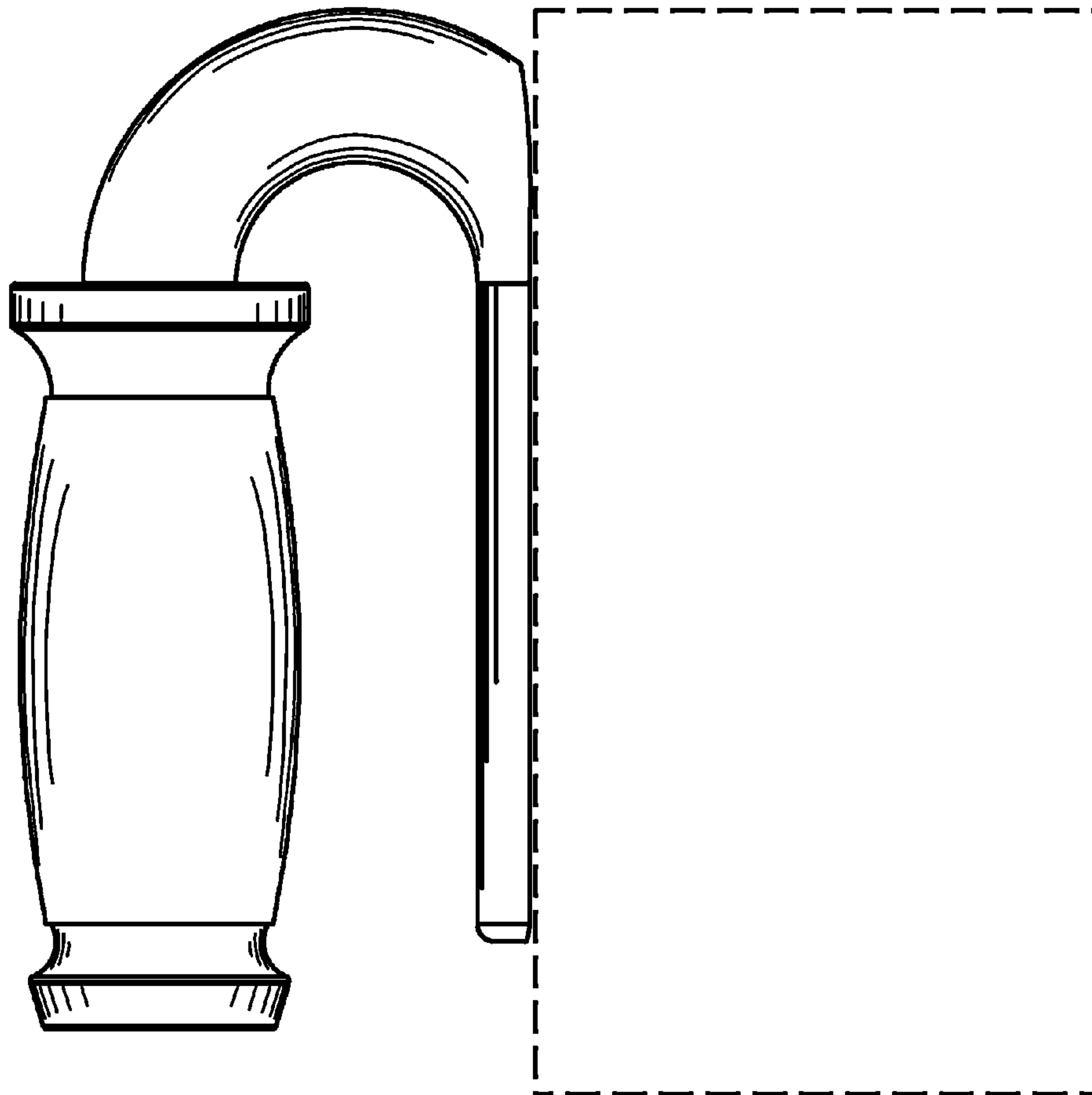


Figure 3

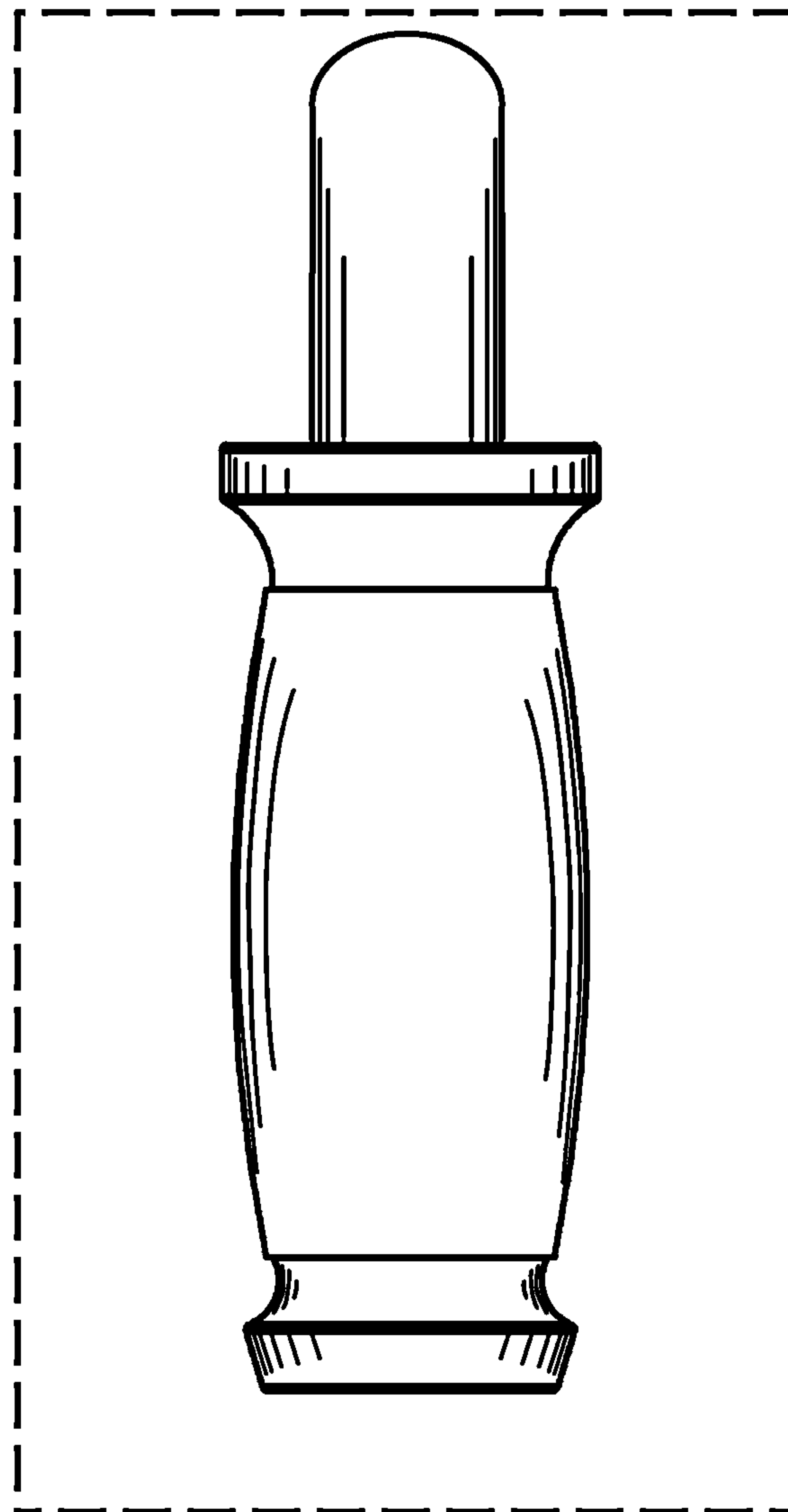


Figure 4

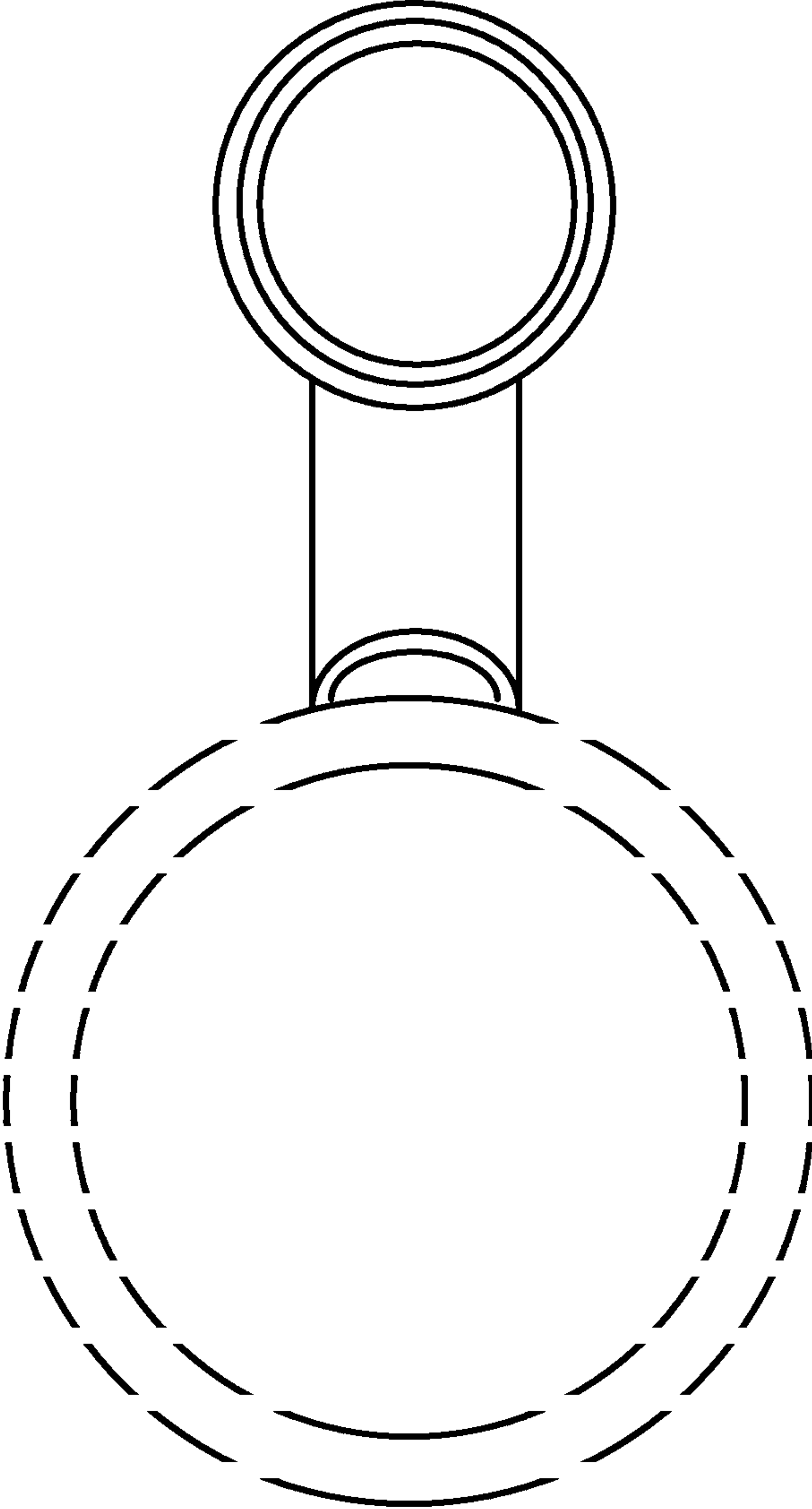


Figure 5

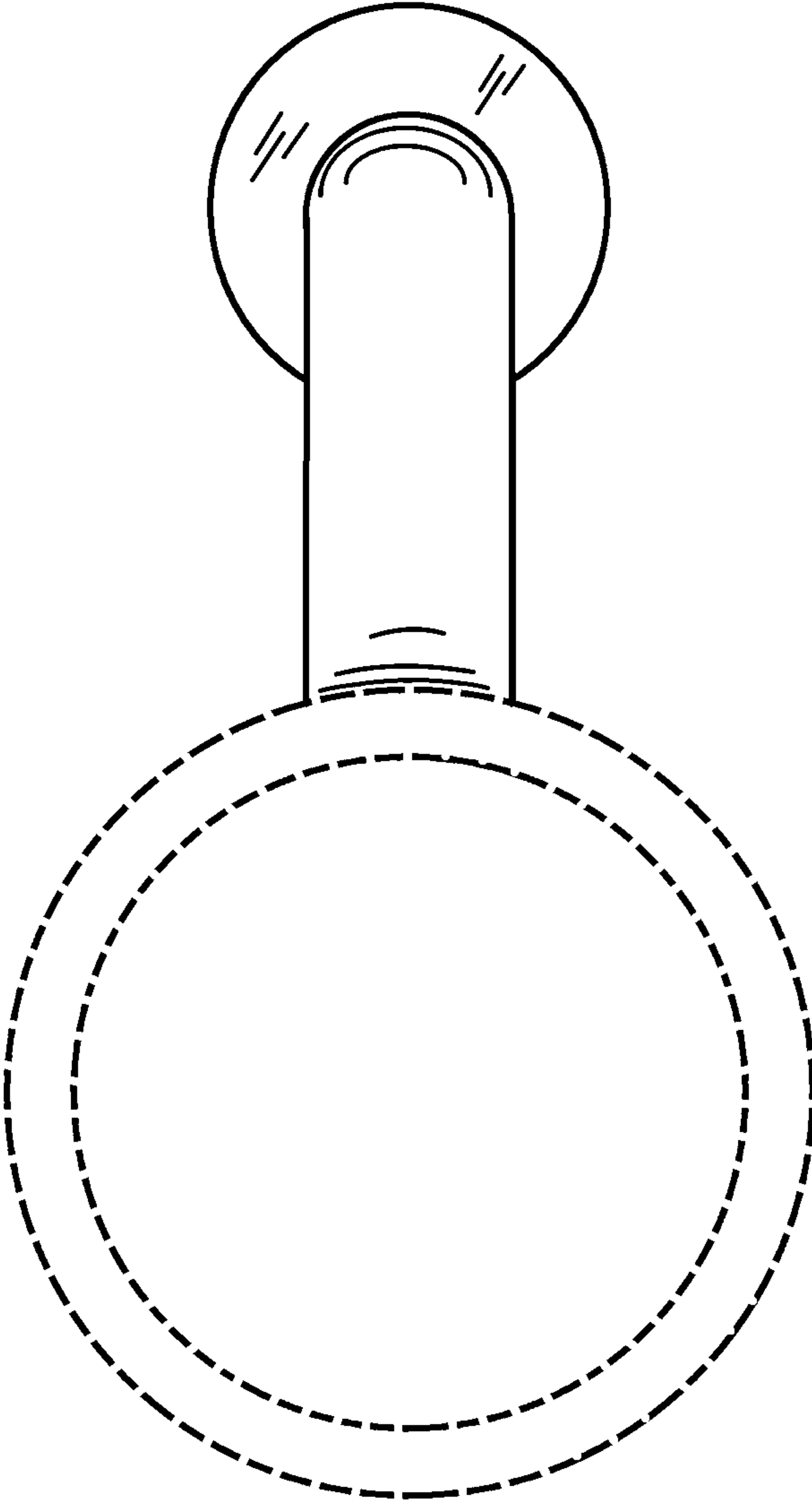


Figure 6

