



US00D693627S

(12) **United States Design Patent**
Moon et al.

(10) **Patent No.:** **US D693,627 S**

(45) **Date of Patent:** **** Nov. 19, 2013**

(54) **PAN**

(75) Inventors: **Jung S. Moon**, Long Grove, IL (US);
Mikale K. Kwon, Skokie, IL (US);
Byung G. Choi, Vernon Hills, IL (US)

(73) Assignee: **Hearthware Inc.**, Libertyville, IL (US)

(**) Term: **14 Years**

(21) Appl. No.: **29/410,001**

(22) Filed: **Jan. 2, 2012**

Related U.S. Application Data

(63) Continuation-in-part of application No. 13/277,212,
filed on Oct. 19, 2011.

(51) **LOC (9) Cl.** **07-02**

(52) **U.S. Cl.**
USPC **D7/361; D7/354**

(58) **Field of Classification Search**
USPC D7/323, 329–331, 337, 339, 346–347,
D7/350.1–350.4, 352–367, 388, 393, 395,
D7/402, 409–410, 538, 542, 672–674;
99/324–325, 331–332, 337–349, 358,
99/369–376, 380, 389, 400–418, 422–425,
99/444–446, 483; 126/37 R, 261, 378.1;
206/501–505, 507–508; 219/386, 400,
219/405, 429–442, 450.1, 452.13, 524,
219/620–624, 725, 730–735; 220/4.21,
220/23.8, 254.1, 315, 573.1–573.5, 912;
426/438, 441, 549

See application file for complete search history.

(56) **References Cited**

U.S. PATENT DOCUMENTS

D434,269 S * 11/2000 Jo D7/360
D500,630 S * 1/2005 Brasset D7/360
D544,294 S * 6/2007 Lee D7/354

D564,293 S * 3/2008 Wasserman et al. D7/395
D580,214 S * 11/2008 Dodane D7/361
D635,392 S * 4/2011 Shantha et al. D7/354
D639,604 S * 6/2011 Degnan D7/361
D639,605 S * 6/2011 Degnan D7/361
D656,358 S * 3/2012 Cloutier et al. D7/361
D677,516 S * 3/2013 Cloutier D7/361
D682,013 S * 5/2013 Huang D7/361
D684,420 S * 6/2013 Montgomery D7/361
2004/0060936 A1 * 4/2004 Logiudice 220/254.1

* cited by examiner

Primary Examiner — Ricky Pham

(74) *Attorney, Agent, or Firm* — Ralph P. Albrecht; ATFirm
PLLC

(57) **CLAIM**

We claim the ornamental design for a pan, as shown and
described.

DESCRIPTION

FIG. 1 is a partial color drawing of a green color coated
stainless steel pan having a stainless steel riveted handle in an
isometric perspective view of a pan according to an exem-
plary embodiment of the present invention;

FIG. 2 is a color drawing of a top view of the pan having a
green coating cooking surface on a stainless steel pan with
stainless steel handle according to an embodiment of the
present invention;

FIG. 3 is a side elevational view of the pan of Embodiment I;

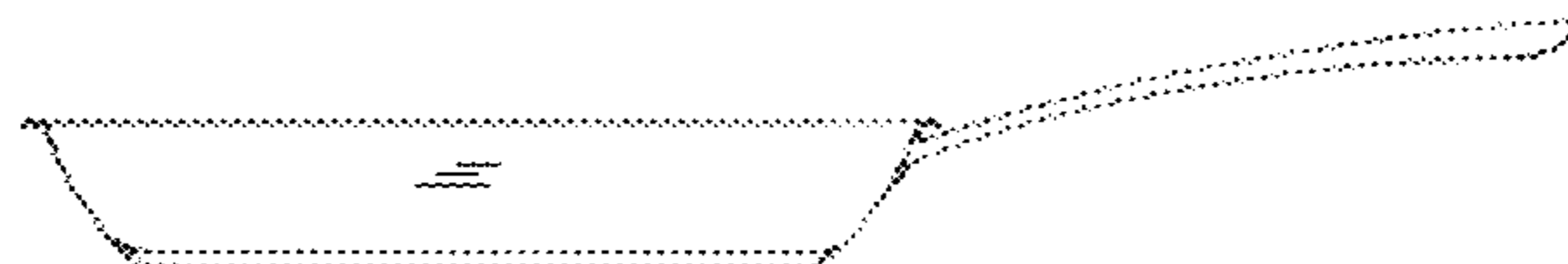
FIG. 4 is a top plan view of the pan shown according to an
embodiment of the present invention;

FIG. 5 is a side elevational view of the pan having a double
folded stainless steel end of edge pan according to an embodi-
ment of the present invention;

FIG. 6 is an enlarged top plan view of the handle of the pan of
Embodiment I; and,

FIG. 7 is an enlarged side elevational view of the handle of the
pan of Embodiment I.

1 Claim, 3 Drawing Sheets



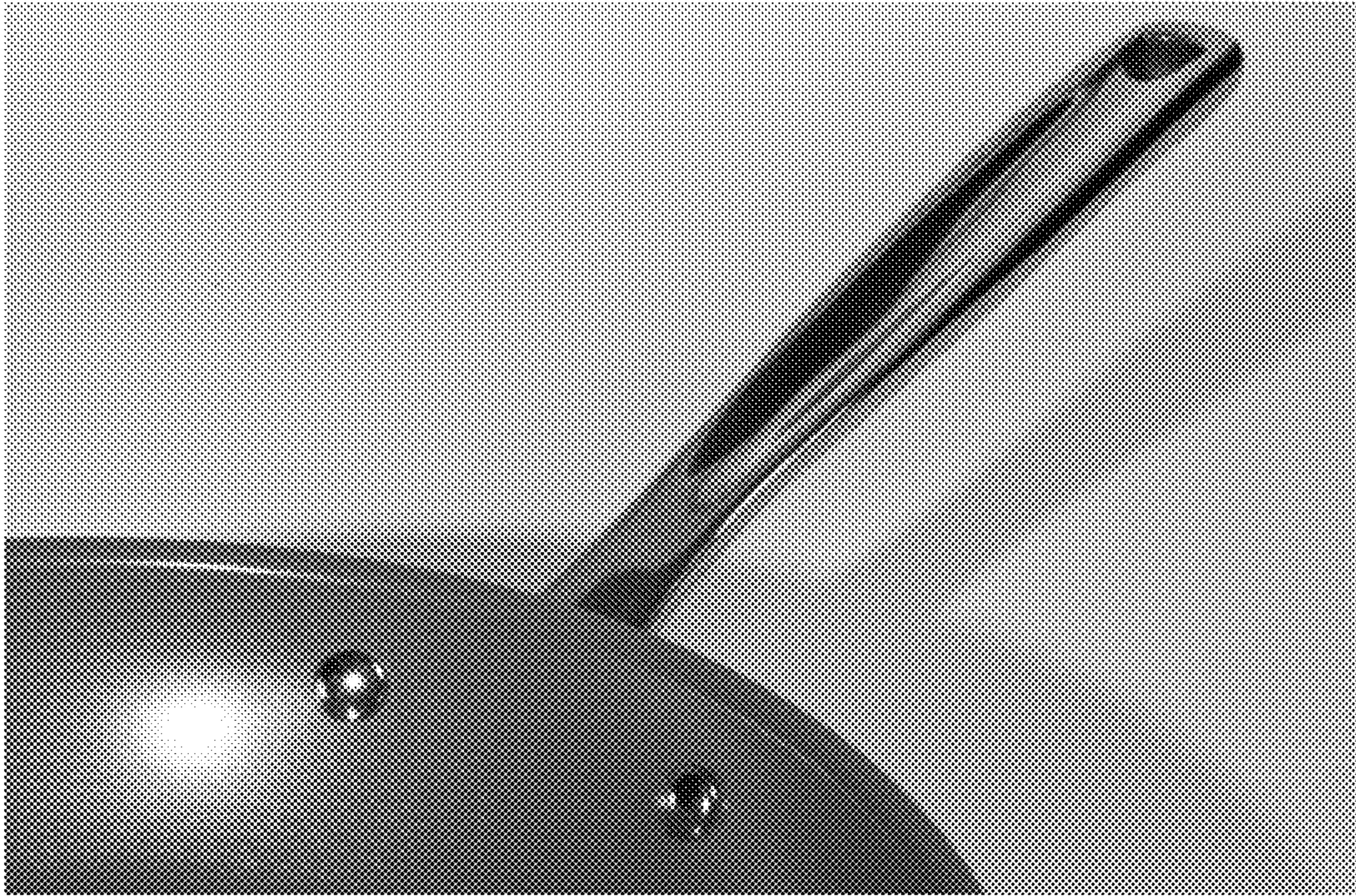


FIG. 1

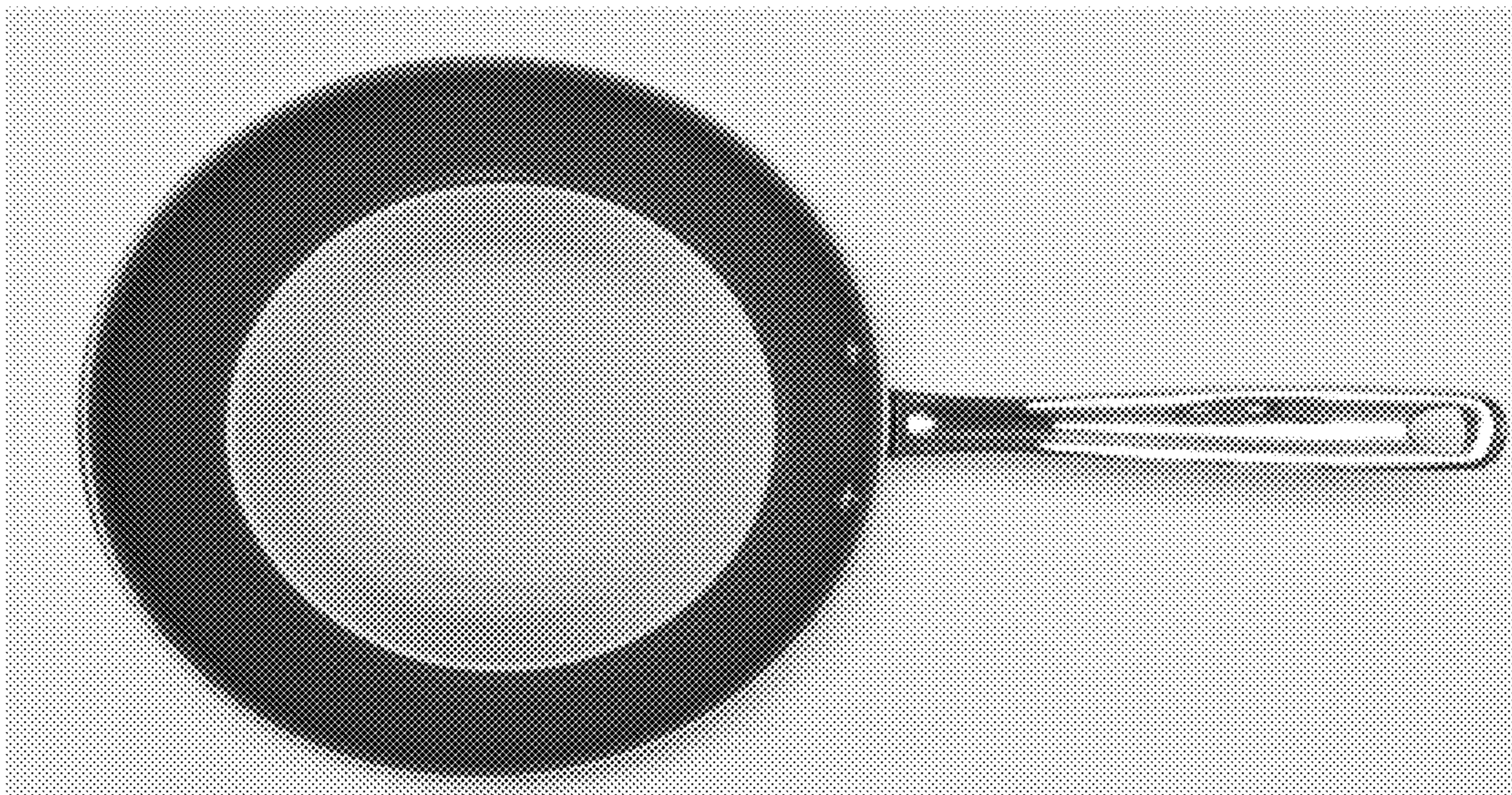


FIG. 2

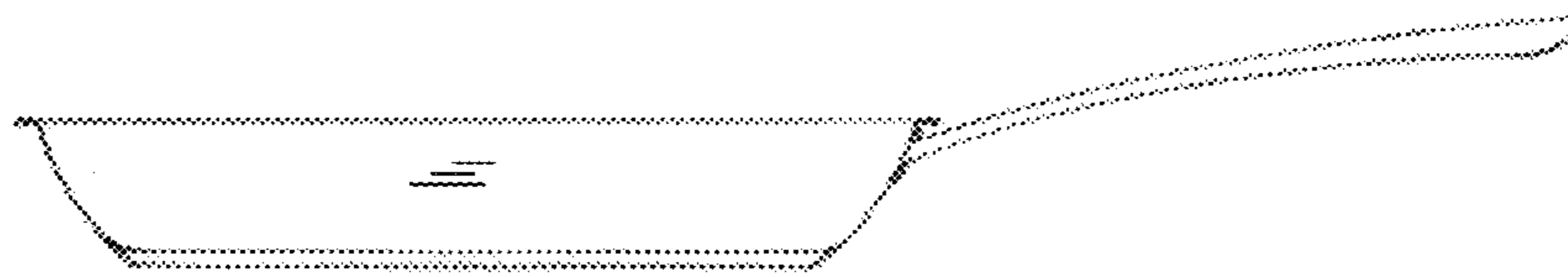


FIG. 3

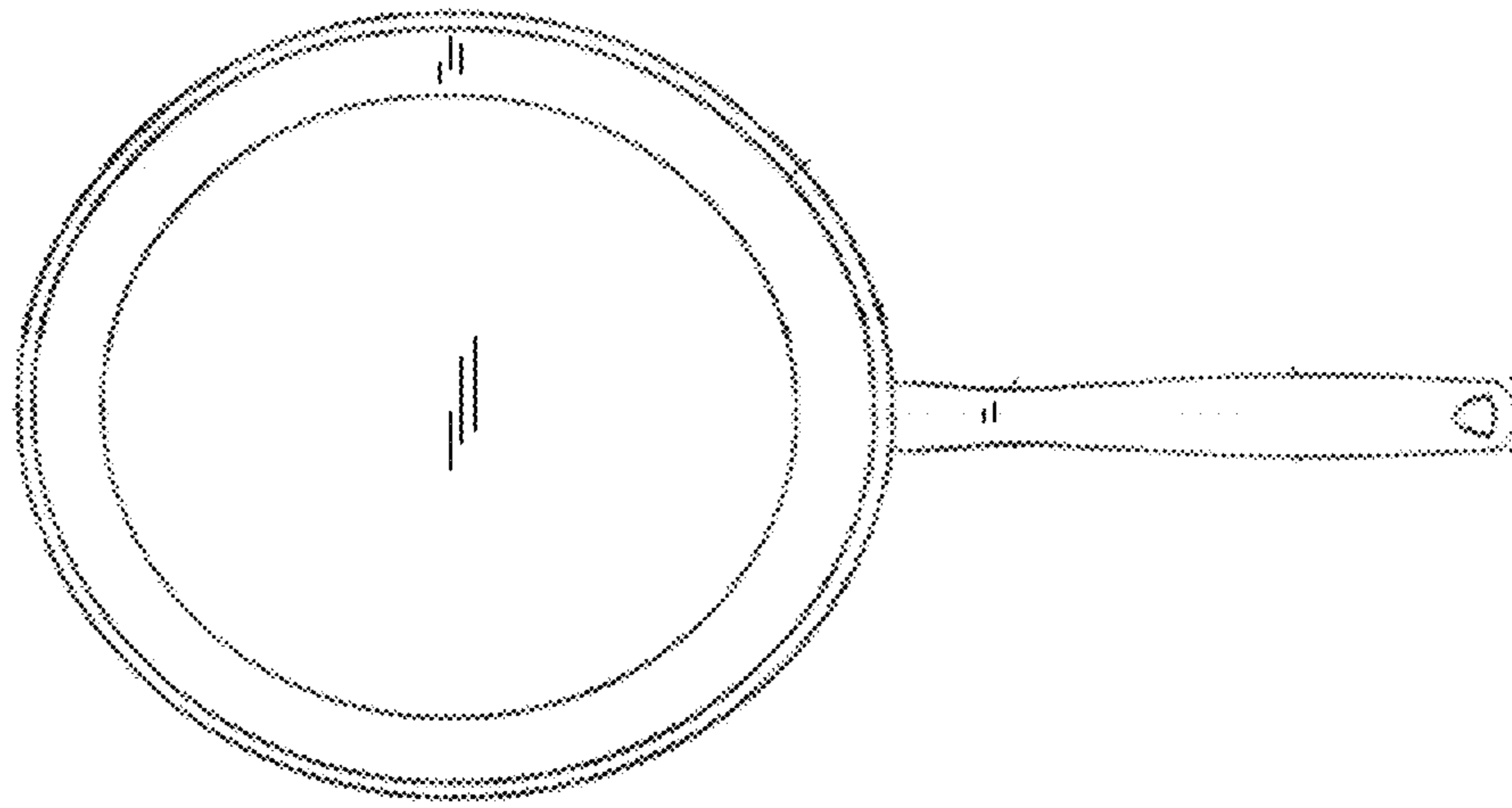


FIG. 4

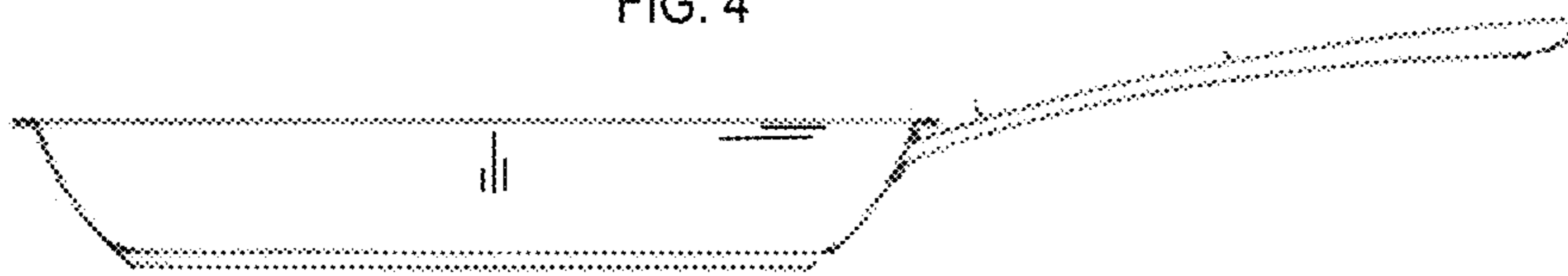


FIG. 5

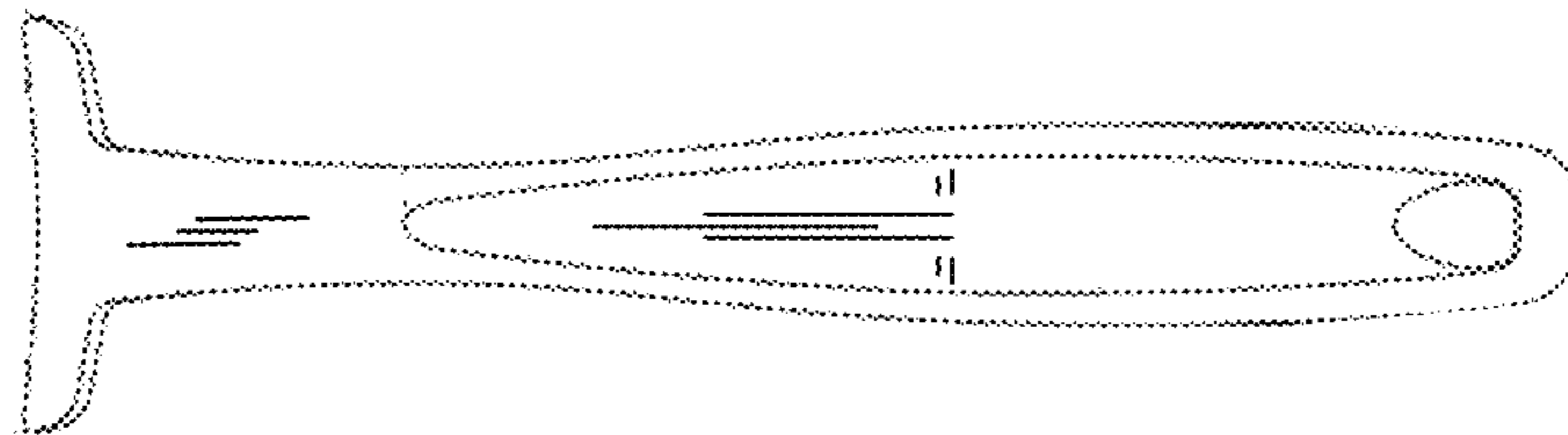


FIG. 6

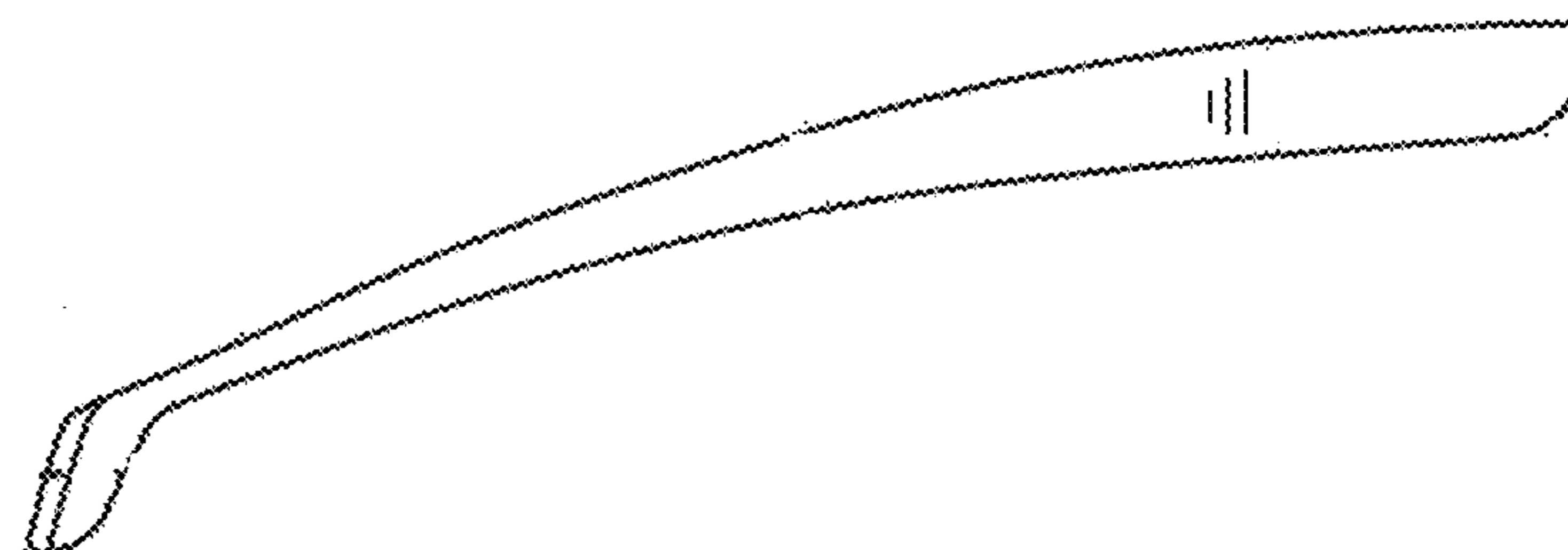


FIG. 7