



US00D693625S

(12) **United States Design Patent**
Facey

(10) **Patent No.:** **US D693,625 S**

(45) **Date of Patent:** **** Nov. 19, 2013**

(54) **CAKE POP MOLD**

(76) **Inventor:** **Jeanette Facey, Osterville, MA (US)**

(**) **Term:** **14 Years**

(21) **Appl. No.:** **29/420,912**

(22) **Filed:** **May 15, 2012**

(51) **LOC (9) Cl.** **07-02**

(52) **U.S. Cl.**

USPC **D7/354**

(58) **Field of Classification Search**

USPC D7/323, 329–331, 337, 339, 346–347,
D7/350.1–350.4, 352–367, 391, 393, 395,
D7/402, 409–410, 538–542, 628, 672–674,
D7/325, 354, 606, 675; D9/414, 668, 426,
D9/449, 504, 519, 689, 715, 726;
D24/207; D30/152; D34/1;
99/324–325, 331–332, 337–349, 358,
99/369–376, 380, 389, 400–418, 422, 425,
99/444–446, 483; 126/37 R, 261, 378.1;
206/6.1, 501–505, 507–508, 581;
219/386, 400, 405, 429–442, 450.1,
219/452.13, 620–624, 725, 730–735;
220/23.8, 315, 573.1–573.5, 832, 912;
249/119; 426/438, 441, 549, 306;
D3/302; D21/386; D23/364–367;
D25/1; D28/82

See application file for complete search history.

(56) **References Cited**

U.S. PATENT DOCUMENTS

398,139 A 2/1889 Eaton
928,162 A 7/1909 Stewart
1,388,094 A * 8/1921 Buttigieg 206/6.1
2,036,706 A 4/1936 Law
D112,545 S 12/1938 Younghusband
D117,346 S 10/1939 Brickley
2,392,561 A 1/1946 Weber, Jr.

D174,512 S 4/1955 Owens et al.
2,717,727 A 9/1955 Robb
D179,230 S 11/1956 Williamson et al.

(Continued)

FOREIGN PATENT DOCUMENTS

EP 89269 9/1983

OTHER PUBLICATIONS

Cake Pop Baller—Professional Sphere Mold—Ball Maker for Cake and Brownie Pops, Balls and Bites. Retrieved online on Mar. 22, 2012 at: <http://www.amazon.com/Cake-Pop-Baller-Professional-Brownie/dp/B005LTYCMM>, dated at least as early as Dec. 2011 (5 pages).

(Continued)

Primary Examiner — Ricky Pham
(74) *Attorney, Agent, or Firm* — Fish & Richardson P.C.

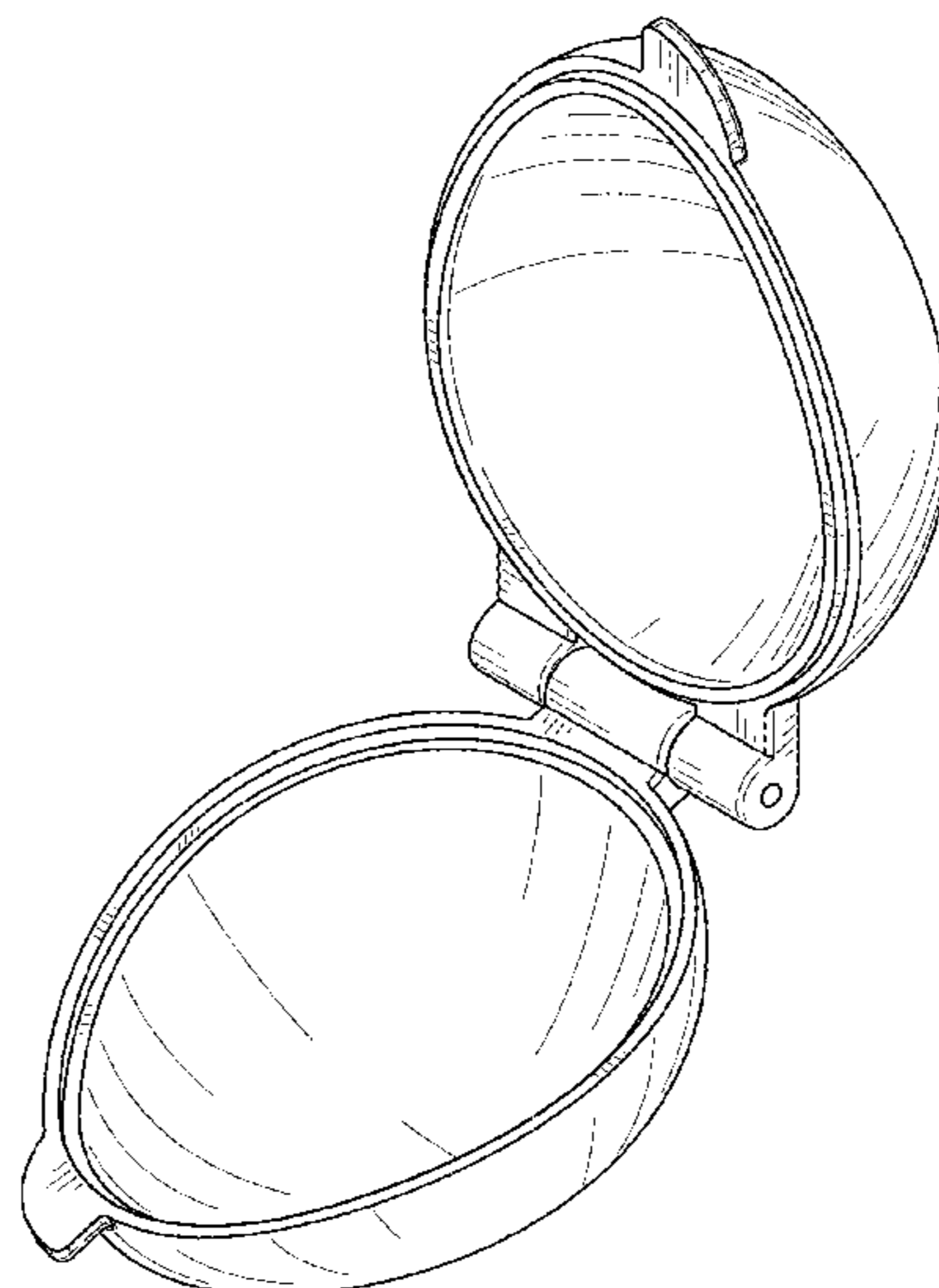
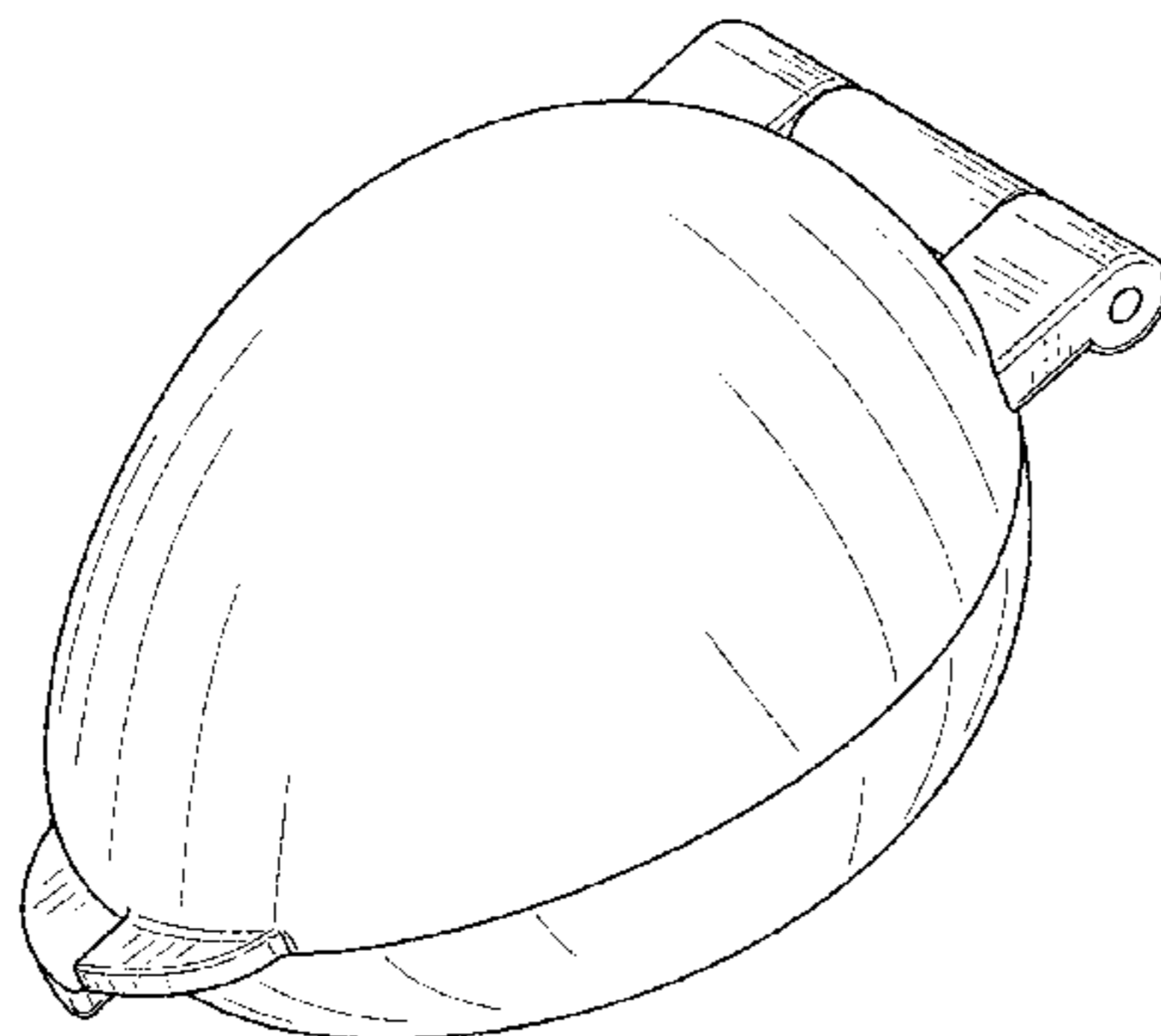
(57) **CLAIM**

The ornamental design for a cake pop mold, substantially as shown and described.

DESCRIPTION

FIG. 1 is a perspective view of the cake pop mold in a closed position;
FIG. 2 is a front view of the cake pop mold in the closed position;
FIG. 3 is a back view of the cake pop mold in the closed position;
FIG. 4 is a right side view of the cake pop mold in the closed position;
FIG. 5 is a left side view of the cake pop mold in the closed position;
FIG. 6 is a top view of the cake pop mold in the closed position;
FIG. 7 is a bottom view of the cake pop mold in the closed position; and,
FIG. 8 is a perspective view of the cake pop mold in a partially open position.

1 Claim, 3 Drawing Sheets



(56)

References Cited

U.S. PATENT DOCUMENTS

3,059,279 A 10/1962 Rossi
D196,985 S 11/1963 Schnering
3,128,724 A 4/1964 Linder
D200,806 S 4/1965 Pava
D215,113 S 9/1969 Rasmusson
3,494,515 A 2/1970 Lazzaro
3,680,828 A 8/1972 Swett
D226,530 S 3/1973 Carasso
3,907,245 A 9/1975 Linder
3,934,809 A 1/1976 Fox et al.
3,937,438 A 2/1976 Fox et al.
3,966,165 A 6/1976 Psensky
D240,829 S * 8/1976 Jones D9/689
4,076,207 A 2/1978 Austin
4,164,341 A 8/1979 McComb
D253,988 S 1/1980 Eagar
D254,716 S 4/1980 Mascia et al.
D255,988 S 7/1980 Mascia et al.
4,244,470 A 1/1981 Burnham
4,248,578 A 2/1981 Worden
4,273,249 A 6/1981 Florian
D268,037 S 2/1983 Wiseltier et al.
D270,600 S 9/1983 Miller
D298,719 S 11/1988 Beckerer, Jr.
4,795,033 A 1/1989 Duffy
4,840,276 A 6/1989 George
D303,474 S 9/1989 Wolff
D306,406 S 3/1990 Pierce et al.
D320,939 S 10/1991 Hofmann et al.
D324,106 S 2/1992 Greenblatt
D325,112 S 4/1992 Thompson
D332,891 S 2/1993 Cumberland
D333,784 S * 3/1993 Goodman D3/302
5,209,345 A * 5/1993 Haugabook 220/832
5,354,191 A 10/1994 Bobis
D354,441 S 1/1995 Fontanella
D354,682 S * 1/1995 van Spaandonk D9/449
D368,414 S * 4/1996 VanHalteren et al. D7/675
D375,258 S * 11/1996 Weder et al. D9/414
D375,964 S 11/1996 Poubouridis
5,618,463 A 4/1997 Rindler et al.
5,632,926 A 5/1997 Dyer, Jr.
D384,595 S 10/1997 Hartwell-Ruland
D384,960 S 10/1997 Kistler
5,711,892 A 1/1998 Ramirez
D390,778 S * 2/1998 Lee D9/668
5,788,873 A 8/1998 Warsaw
5,789,005 A 8/1998 Tabaroni et al.
5,814,380 A 9/1998 Tamborello et al.
5,851,415 A 12/1998 Thomas
D422,847 S * 4/2000 Hansen D7/606
D431,299 S 9/2000 Lammie
6,162,476 A 12/2000 Shorin
6,176,464 B1 1/2001 Harvey
6,187,352 B1 2/2001 Crosbie
6,190,584 B1 2/2001 Lee et al.
6,231,910 B1 5/2001 Ellingsworth
D449,777 S 10/2001 Vignon
6,311,427 B1 11/2001 McNally
6,355,288 B1 3/2002 DiGiacomo
D460,168 S * 7/2002 Chen D23/364
D460,545 S 7/2002 Hautmann et al.
D465,733 S 11/2002 Hill
D475,288 S * 6/2003 Hoffmann et al. D9/426
D476,095 S 6/2003 Baarman et al.
D478,785 S * 8/2003 Rorke et al. D7/628
D478,813 S 8/2003 Beene
D479,995 S 9/2003 Duceppe
6,626,313 B2 9/2003 Herbstreit et al.
D492,403 S 6/2004 Iddan et al.
D504,286 S * 4/2005 de Cleir D7/675
D505,050 S * 5/2005 Johnson et al. D7/606
6,896,140 B1 5/2005 Perry
D509,894 S 9/2005 Hoyt et al.
D512,598 S * 12/2005 Shore D7/325

D521,872 S 5/2006 Wu
D522,375 S 6/2006 Archeny
D527,520 S 9/2006 Green
D528,257 S 9/2006 Leclerc et al.
D530,221 S 10/2006 Paglina
D535,348 S 1/2007 Sammann
D536,434 S 2/2007 DongSheng
D540,621 S 4/2007 Wahl
D547,430 S * 7/2007 Low D23/364
D551,077 S 9/2007 Bloc
D553,443 S * 10/2007 Hutzler et al. D7/539
D554,529 S * 11/2007 Green et al. D9/726
D564,900 S * 3/2008 Green et al. D9/715
D565,145 S 3/2008 Studer et al.
D572,535 S * 7/2008 El-Ghouyel et al. D7/538
D577,428 S 9/2008 Sun
D578,002 S 10/2008 Canamasas Puigbo
D592,064 S 5/2009 Kilany
D595,570 S 7/2009 Moretti
D597,191 S 7/2009 Colombo et al.
D597,679 S 8/2009 Shigesada et al.
D602,311 S 10/2009 Finell
D604,116 S 11/2009 Braidotti
D608,160 S * 1/2010 Colbert et al. D7/628
D610,667 S * 2/2010 Espiritu, Jr. D23/367
D612,238 S 3/2010 Moreau et al.
D612,245 S * 3/2010 Canamasas Puigbo D9/519
D612,262 S 3/2010 Mussumeci et al.
D613,103 S 4/2010 Misir
D616,260 S 5/2010 Facey et al.
D621,494 S * 8/2010 Li D23/366
D625,604 S * 10/2010 Zaslów D9/449
D631,204 S * 1/2011 Dubitsky et al. D28/82
D638,884 S * 5/2011 Shoemaker, Jr. D21/386
D639,449 S * 6/2011 Luburic D25/1
7,963,500 B1 6/2011 Holiday
D650,280 S * 12/2011 de Peyerimhoff et al. D9/504
D650,464 S 12/2011 Swietoslowski
D651,864 S * 1/2012 Bennett D7/628
D655,987 S * 3/2012 Bennett D7/628
D658,932 S * 5/2012 Facey D7/354
D661,540 S * 6/2012 Facey D7/354
D668,016 S 10/2012 Bottini
D669,232 S * 10/2012 Chung et al. D30/152
D672,465 S * 12/2012 Sherman D24/207
D674,570 S * 1/2013 Neuhaus D34/1
D678,002 S * 3/2013 Facey D7/675
D684,019 S 6/2013 Facey
2002/0094362 A1 7/2002 Ruano Del Campo et al.
2003/0003198 A1 1/2003 Scalise
2003/0064009 A1 4/2003 Baaset
2004/0253904 A1 12/2004 Lin
2007/0108092 A1 * 5/2007 Minuto et al. 206/581
2010/0018969 A1 1/2010 Marks et al.
2011/0027435 A1 * 2/2011 Facey et al. 426/306

OTHER PUBLICATIONS

Meatballer. Retrieved online on Mar. 22, 2012 at: <http://www.preparedpantry.com/meatballer-maker.aspx>, dated before Oct. 6, 2011 (1 page).
Candy Cane Winter Mint Cake Pop Dough [online], photo uploaded Nov. 16, 2012. Retrieved online on Mar. 15, 2013 at: <http://www.google.com/imgres?q=Snowman+Shaped+Cake+Pop+Mini-Mold&um=1&hl=en&safe=active&sa=N&ris=com.microsoft:en-us:IESearchBox&biw=1600&bih=975&tbn=isch&tbnid=RhSDZV28tCQt6M:&imgrefurl=http://www...>, 1 page.
Snowman Shaped Cake Pop Mini-Mold [online], product reviewed on Nov. 13, 2012. Retrieved online on Mar. 15, 2013 at: <http://www.mylittlecupcakepop.com/snowman-shaped-cake-pop-mini-mold>, 6 pages.
U.S. Appl. No. 12/533,954, filed Jul. 31, 2009.
U.S. Appl. No. 29/422,415, filed May 21, 2012.
U.S. Appl. No. 29/422,408, filed May 21, 2012.
U.S. Appl. No. 29/422,415, filed May 21, 2012, Facey.
U.S. Appl. No. 29/422,408, filed May 21, 2012, Facey.

* cited by examiner

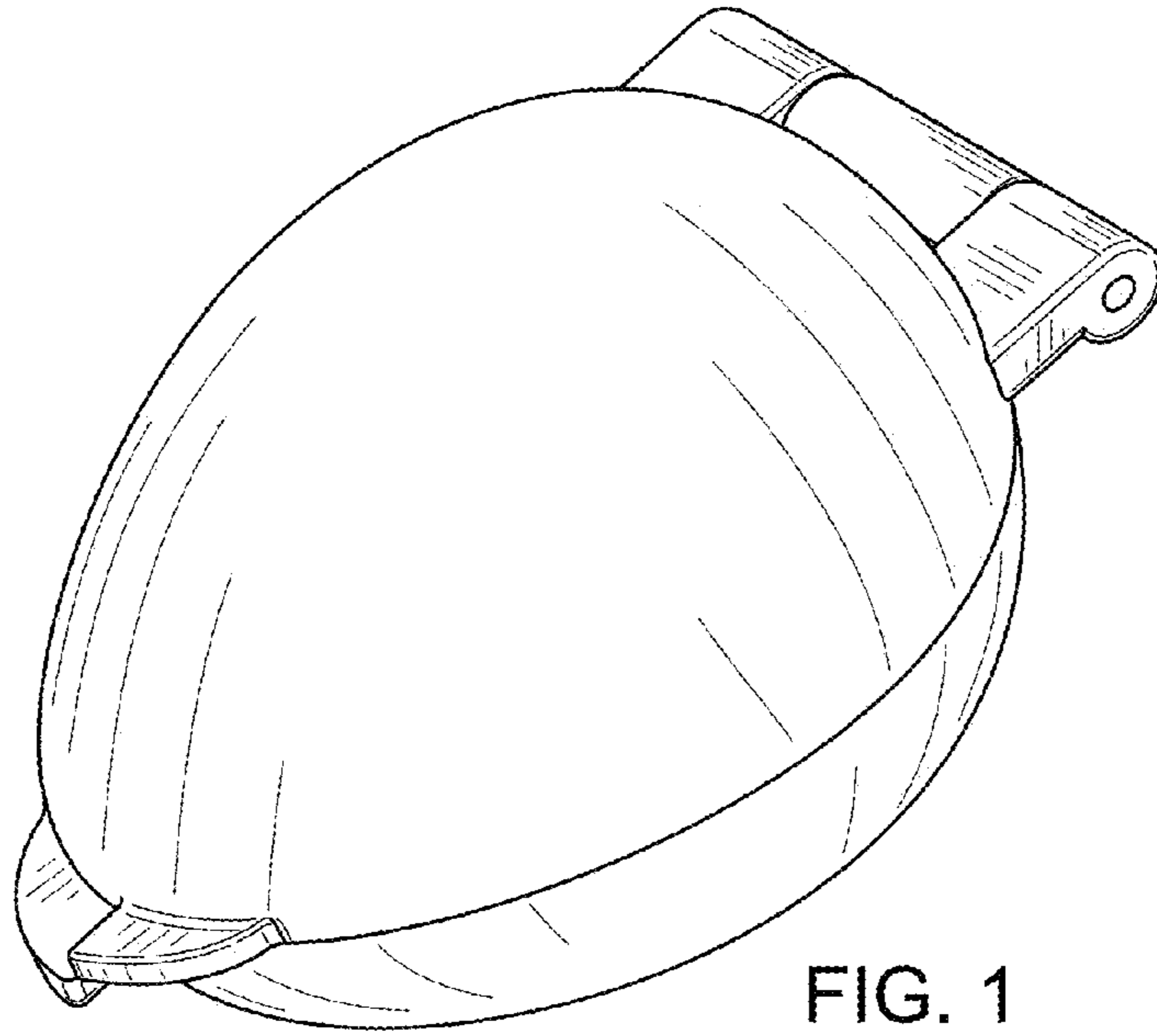


FIG. 1

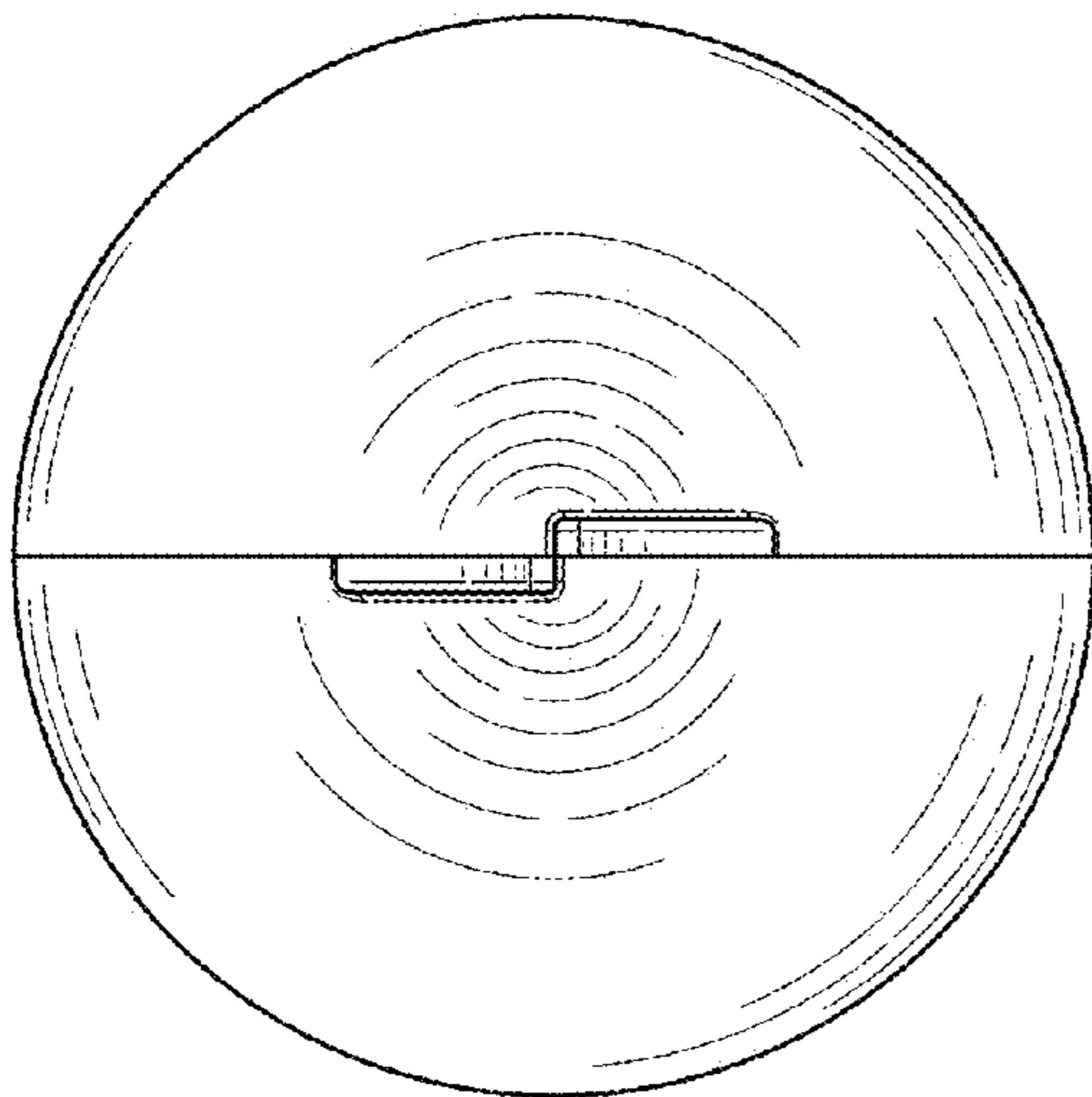


FIG. 2

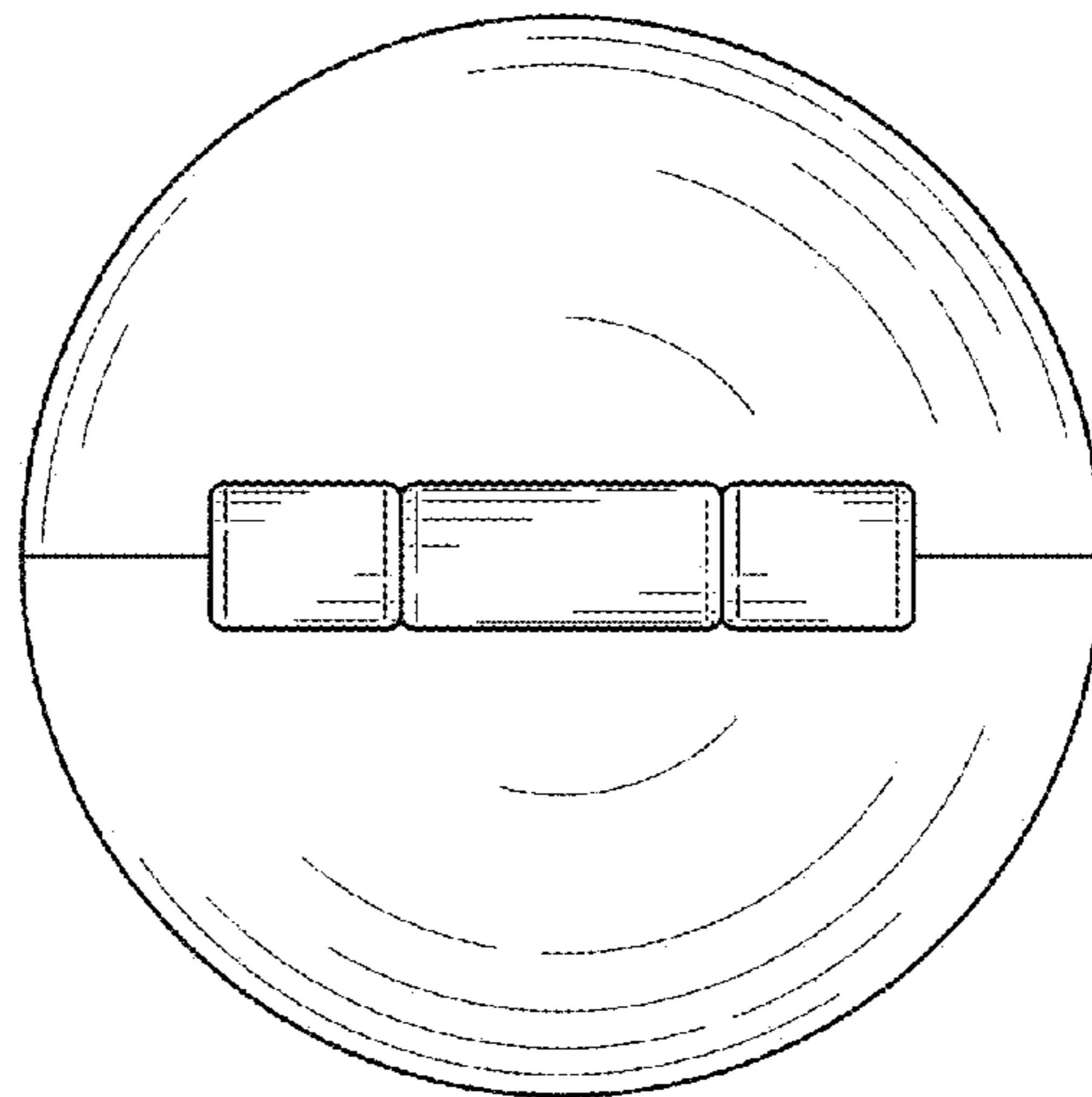


FIG. 3

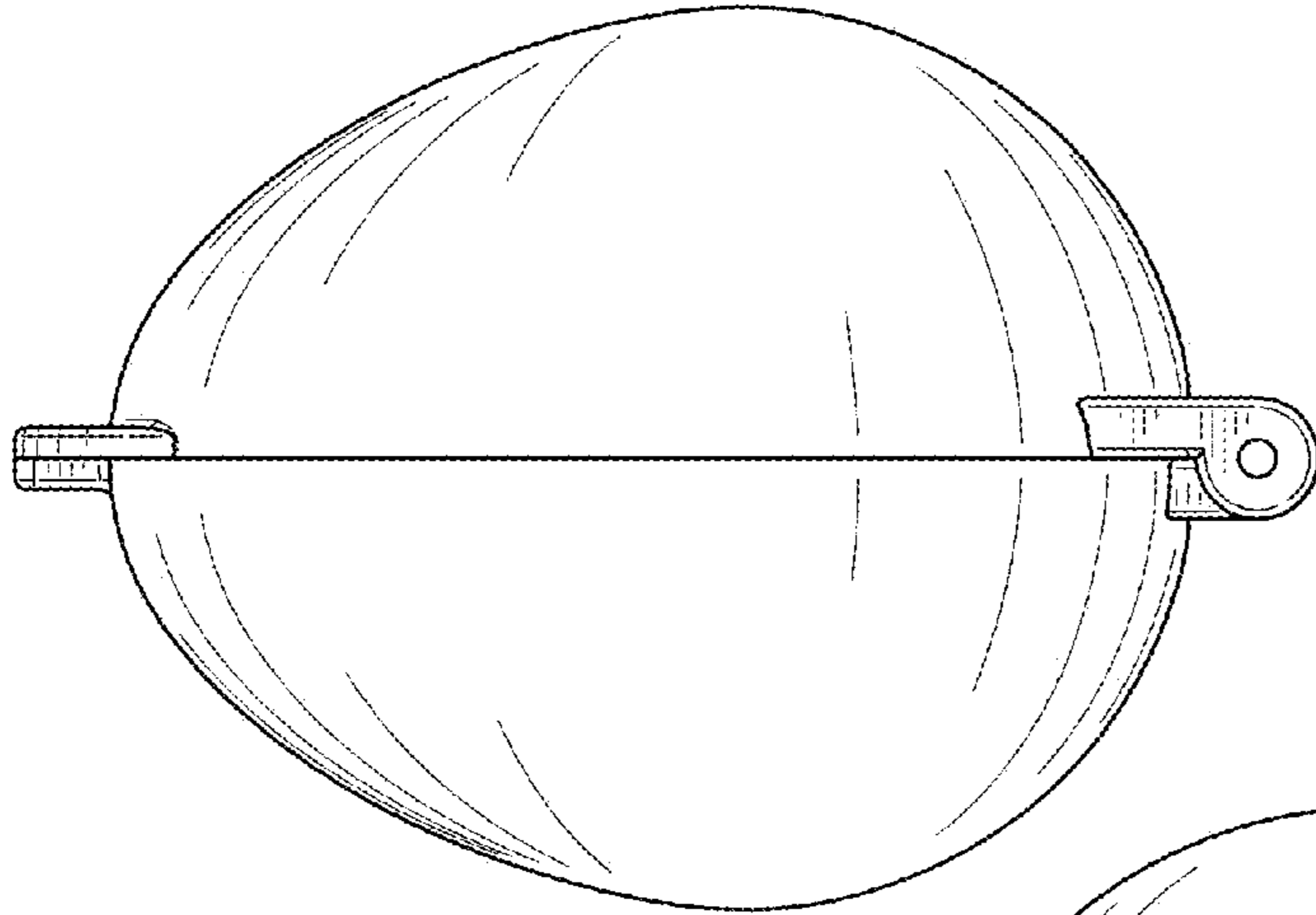


FIG. 4

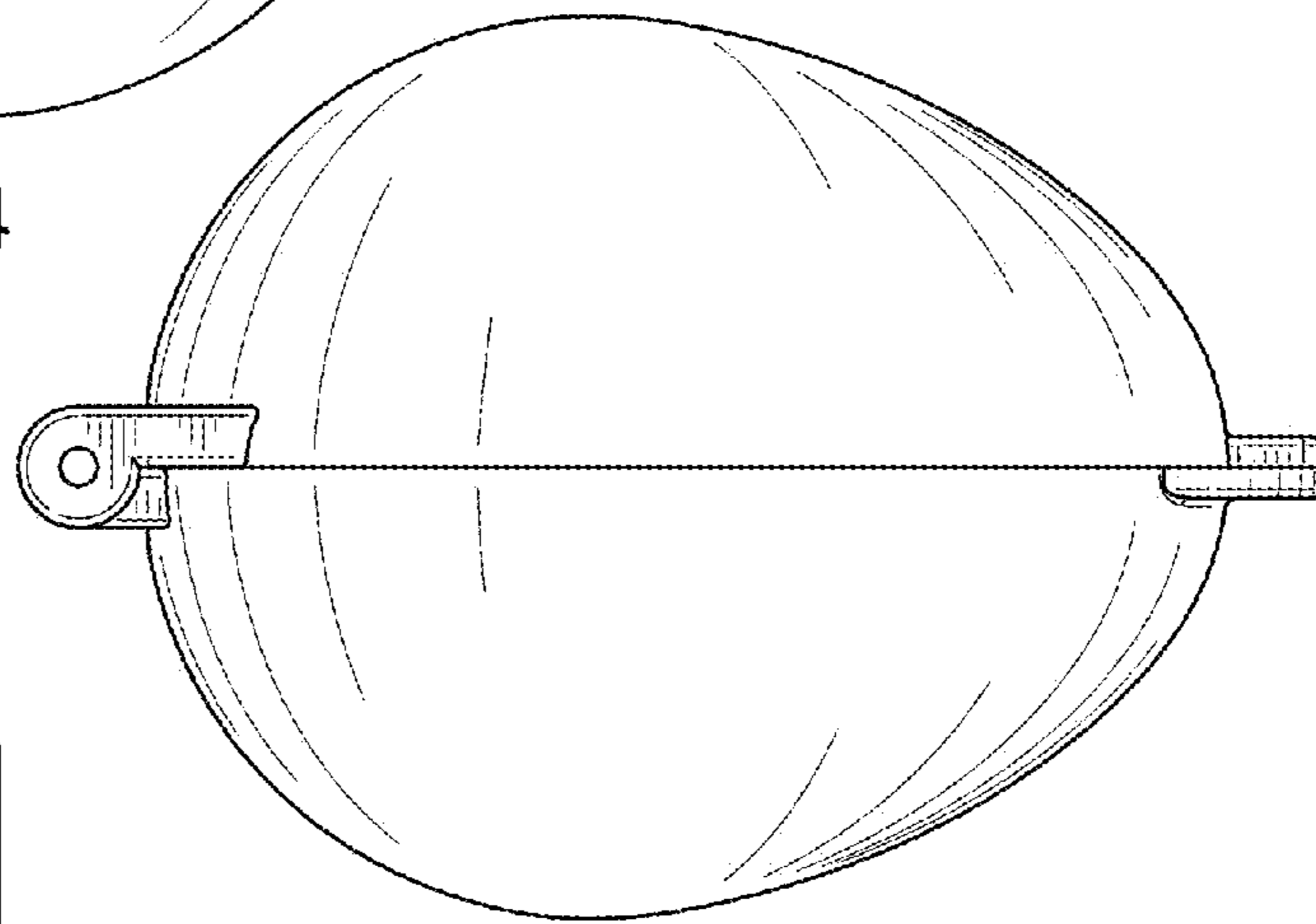


FIG. 5

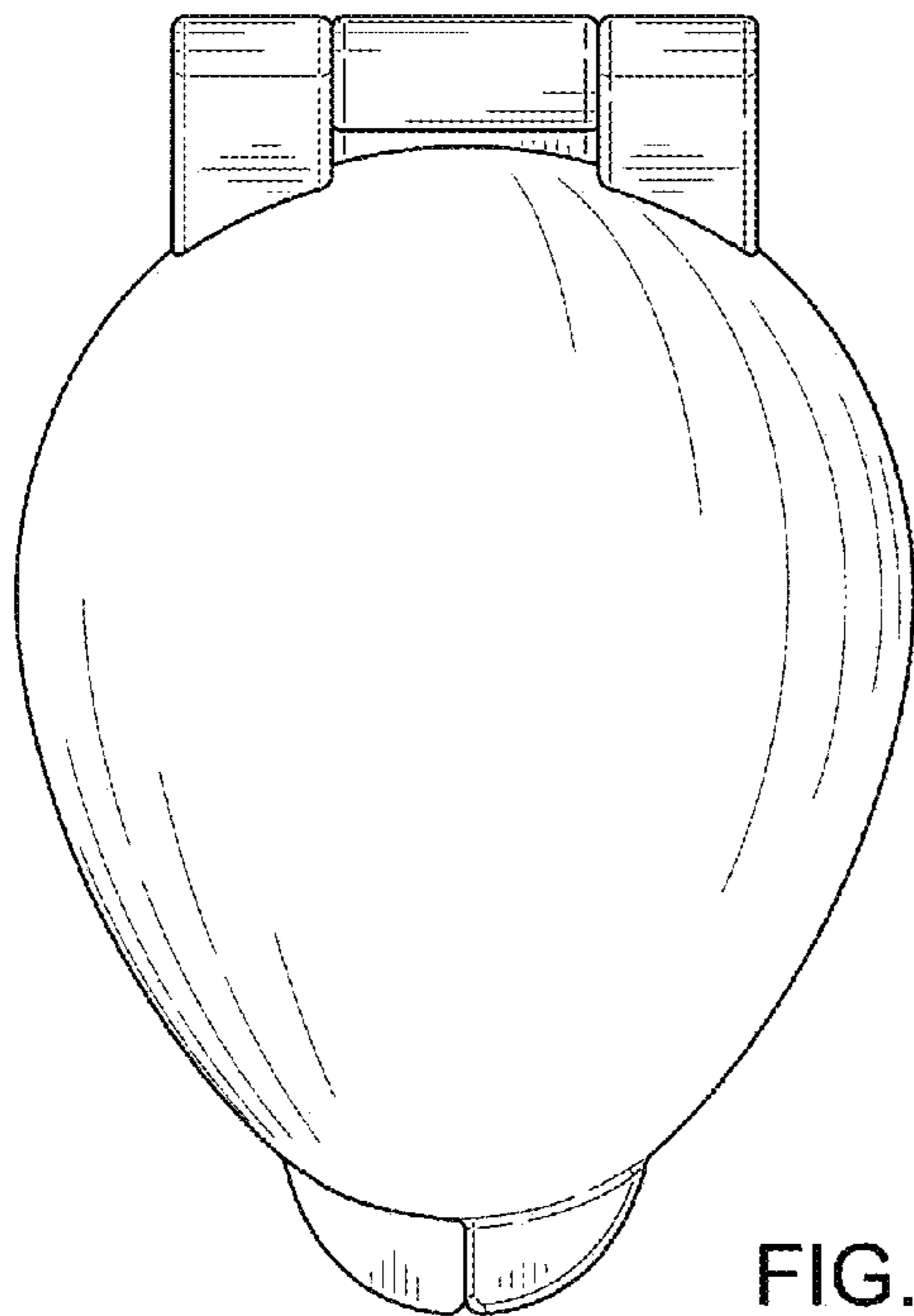


FIG. 6

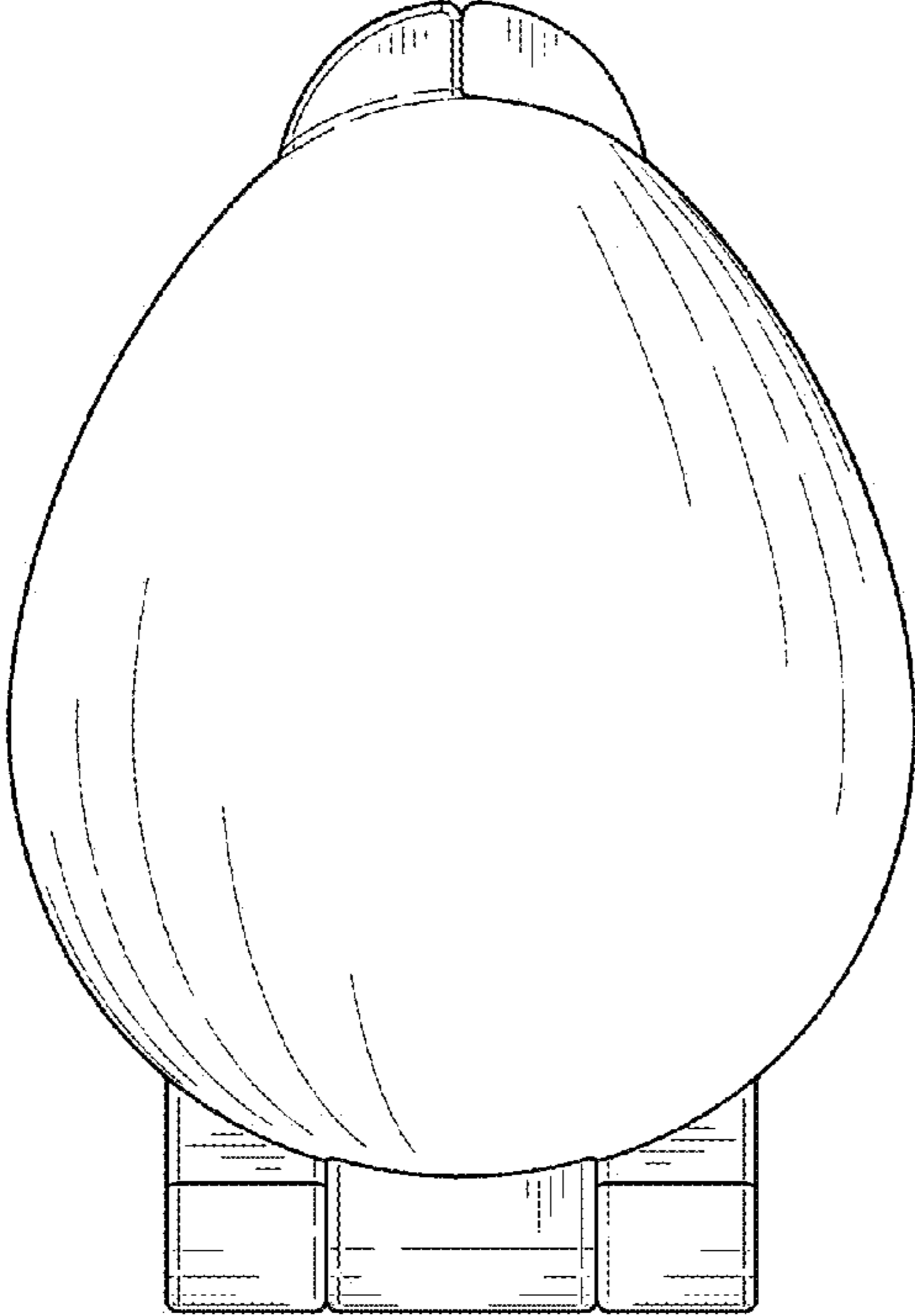


FIG. 7

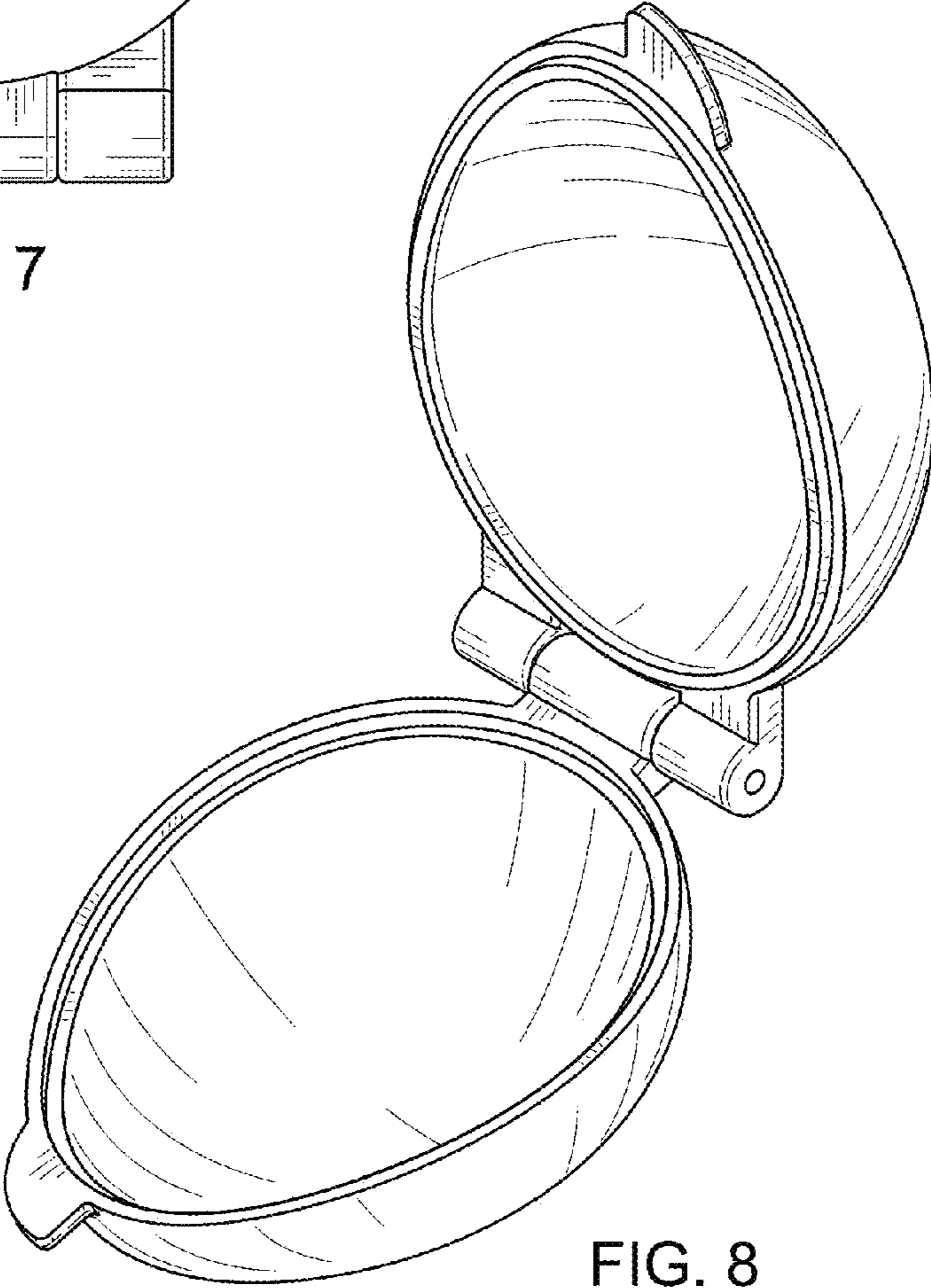


FIG. 8