



US00D693619S

(12) **United States Design Patent**
Barth et al.

(10) **Patent No.:** **US D693,619 S**

(45) **Date of Patent:** **** Nov. 19, 2013**

(54) **STADIUM CHAIR**

(75) Inventors: **Stan Barth**, Omaha, NE (US); **Greg Taylor**, Omaha, NE (US)

(73) Assignee: **Custom Stadium Seat LLC**, Omaha, NE (US)

(**) Term: **14 Years**

(21) Appl. No.: **29/417,969**

(22) Filed: **Apr. 11, 2012**

(51) **LOC (9) Cl.** **06-01**

(52) **U.S. Cl.**
USPC **D6/717**

(58) **Field of Classification Search**
USPC D6/334–336, 353, 361, 367, 368, 370,
D6/371–374, 375, 376, 379, 380, 709.2,
D6/716, 716.1, 716.2, 716.3, 716.4, 717;
297/16.1, 27, 28, 31, 45, 51, 452.2,
297/452.63

See application file for complete search history.

(56) **References Cited**

U.S. PATENT DOCUMENTS

3,071,409	A *	1/1963	Gibson et al.	297/45
D233,810	S *	12/1974	Uyeda	D6/361
4,105,244	A *	8/1978	Colby	297/45
D251,639	S *	4/1979	Colby	D6/353
D267,057	S *	11/1982	Koehm	D6/368
4,514,009	A *	4/1985	Vanderminden et al.	297/27
D279,841	S *	7/1985	Edmondson et al.	D6/367

D287,318	S *	12/1986	Garduno	D6/368
D376,484	S *	12/1996	Gregory	D6/368
D408,660	S *	4/1999	Donnelly	D6/717
D468,548	S	1/2003	Head, Jr.	D6/368
D547,960	S *	8/2007	Nelson, Sr.	D6/368
D624,326	S *	9/2010	Torres	D6/368

* cited by examiner

Primary Examiner — Mimoso De

(74) *Attorney, Agent, or Firm* — Advent, LLP

(57) **CLAIM**

The ornamental design for a stadium chair, as shown and described.

DESCRIPTION

FIG. 1 is an isometric view of a stadium chair showing our new design;

FIG. 2 is a top plan view of the stadium chair of FIG. 1;

FIG. 3 is a back elevation view of the stadium chair of FIG. 1;

FIG. 4 is a left side elevation view of the stadium chair of FIG. 1;

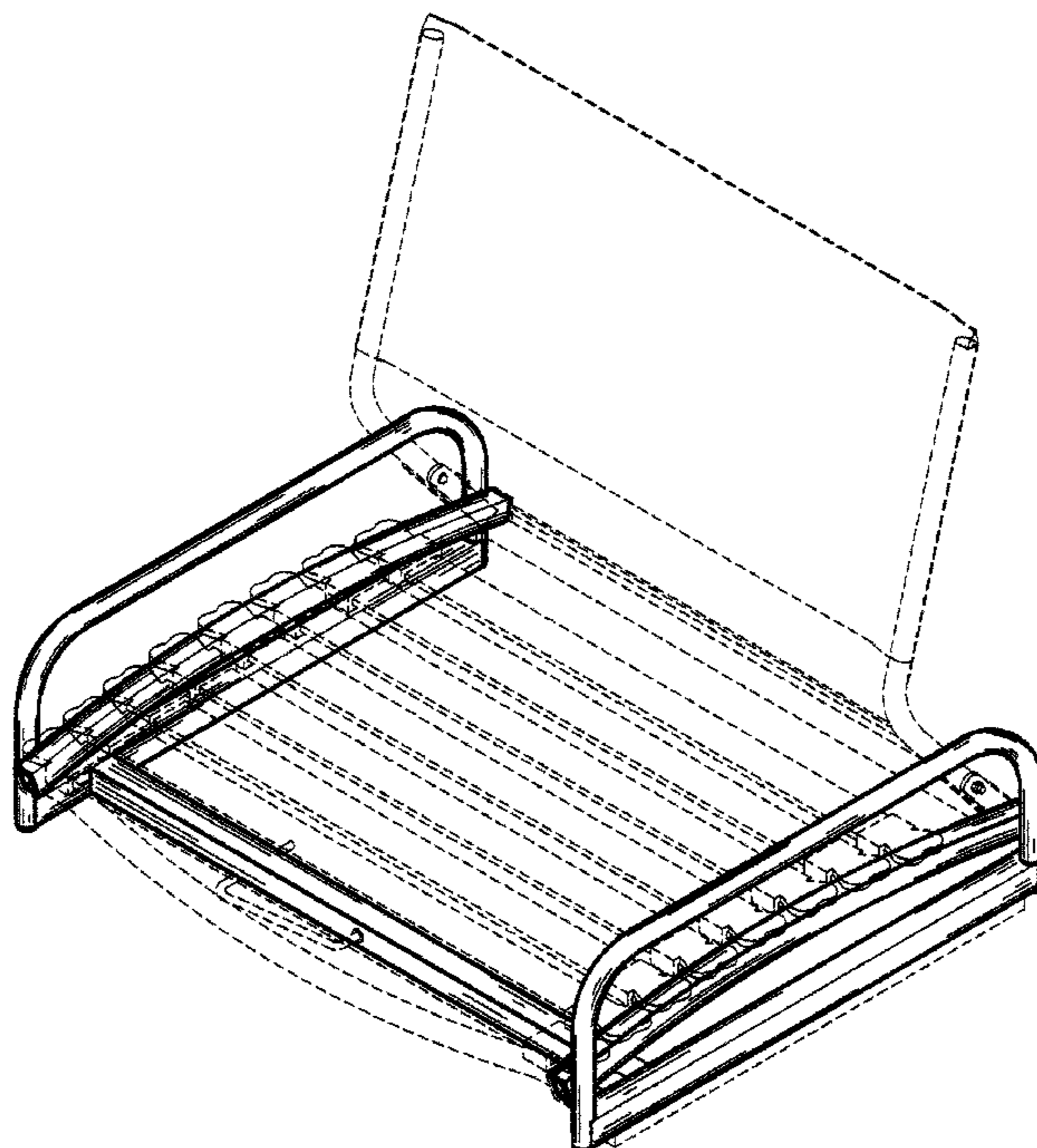
FIG. 5 is a front elevation view of the stadium chair of FIG. 1;

FIG. 6 is a right side elevation view of the stadium chair of FIG. 1; and,

FIG. 7 is a bottom plan view of the stadium chair of FIG. 1.

In the drawings, the broken lines in FIGS. 1-7 depict portions of the design that form no part of the claim.

1 Claim, 4 Drawing Sheets



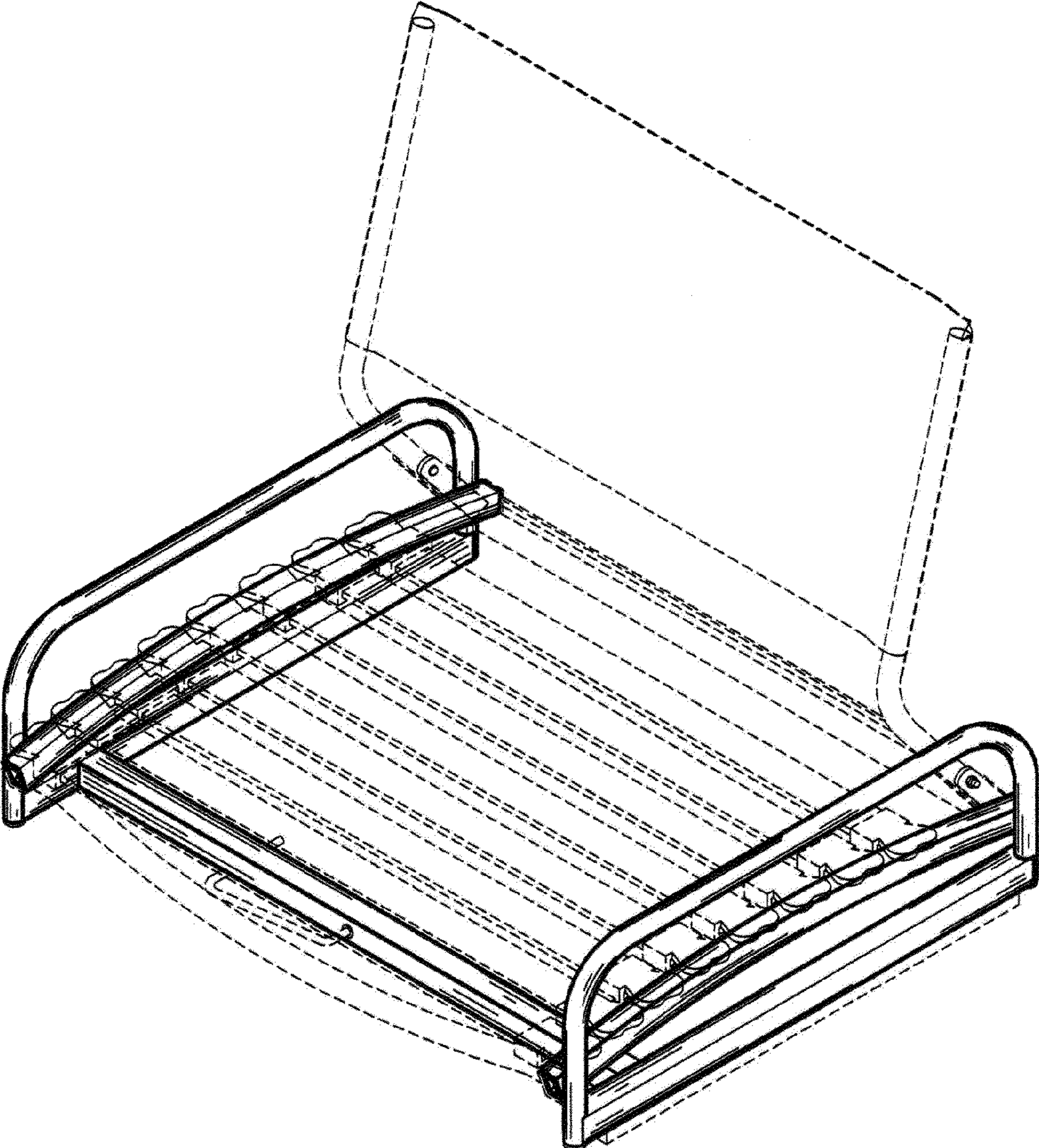


FIG. 1

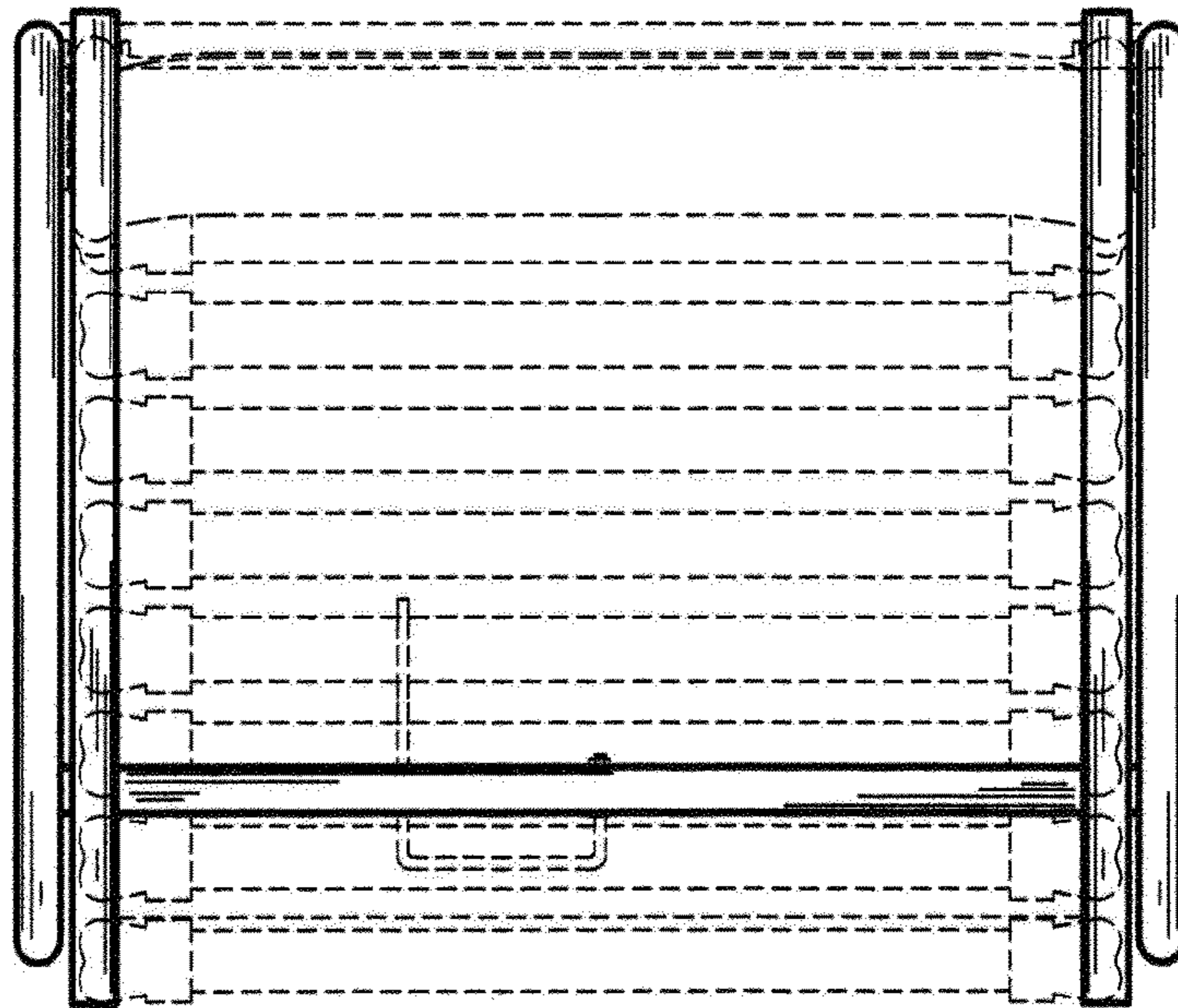


FIG. 2

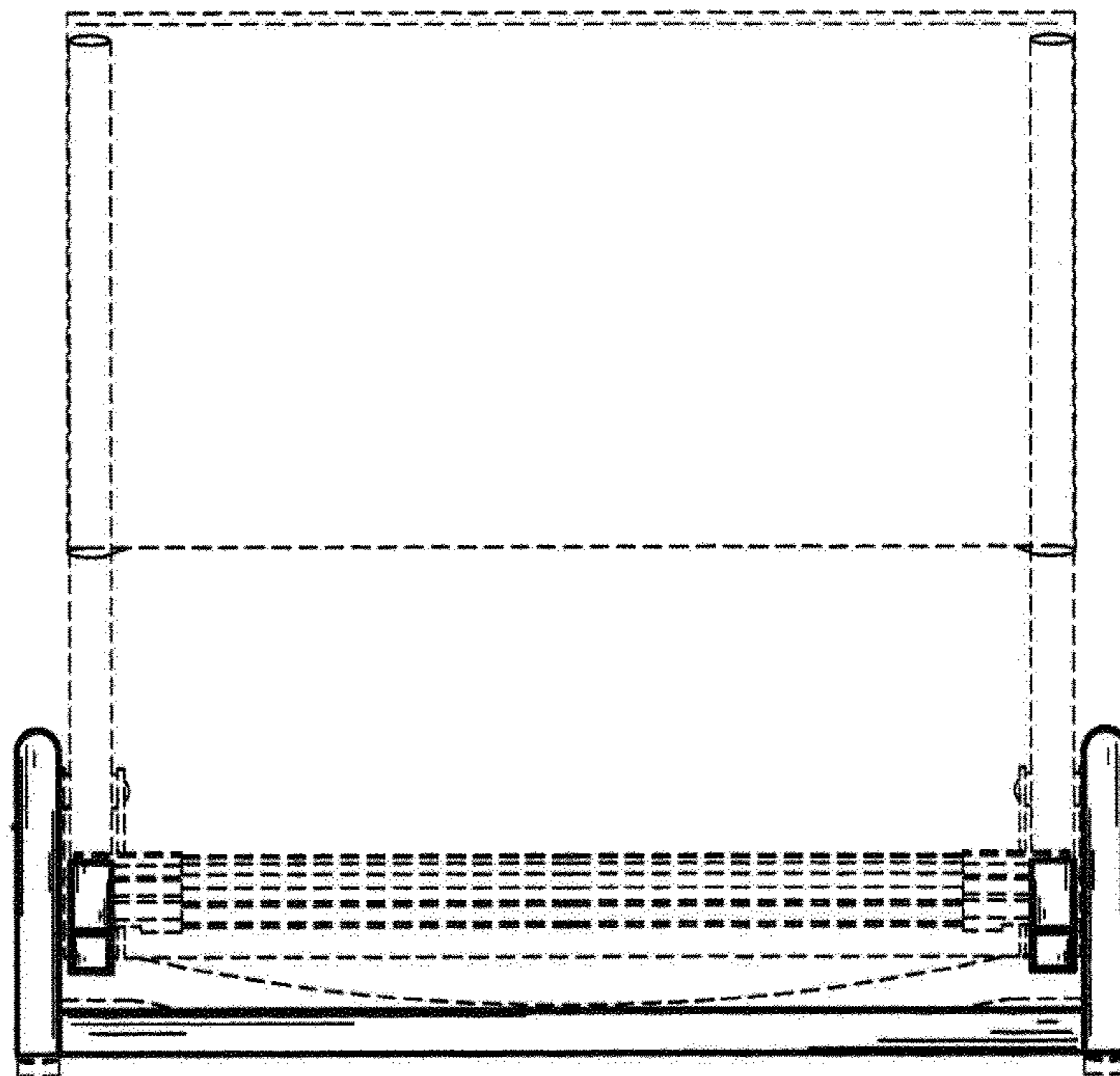


FIG. 3

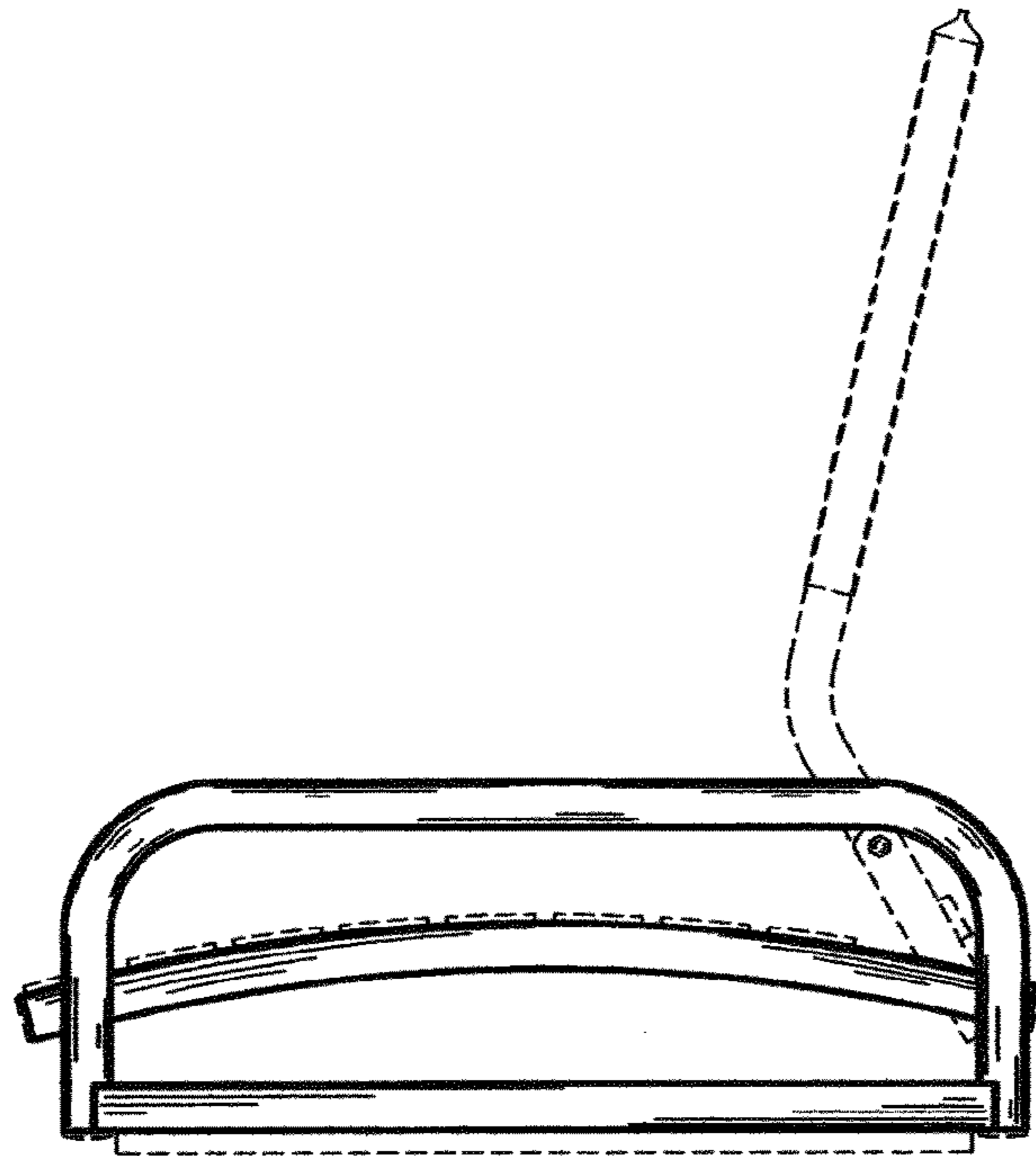


FIG. 4

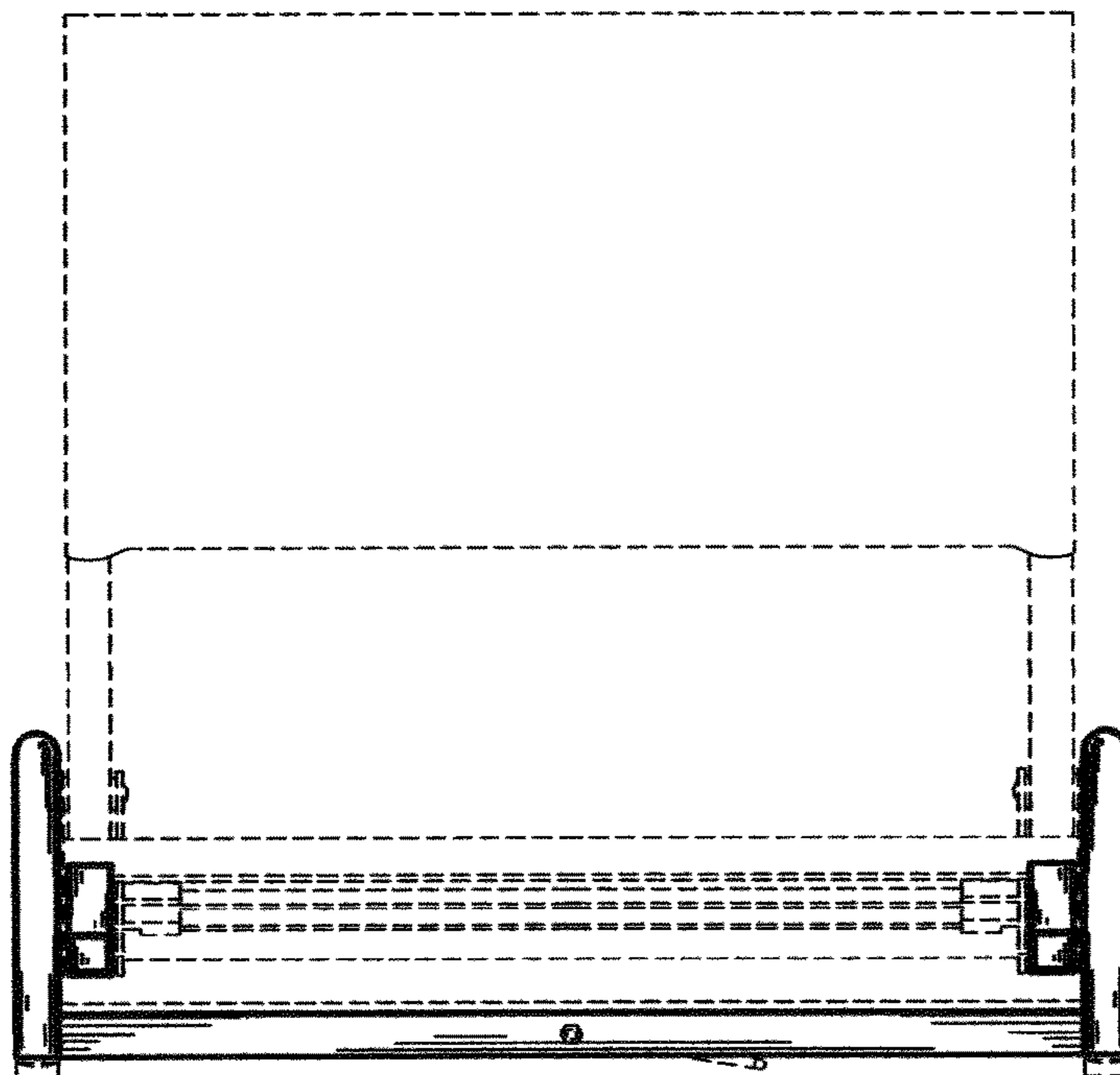


FIG. 5

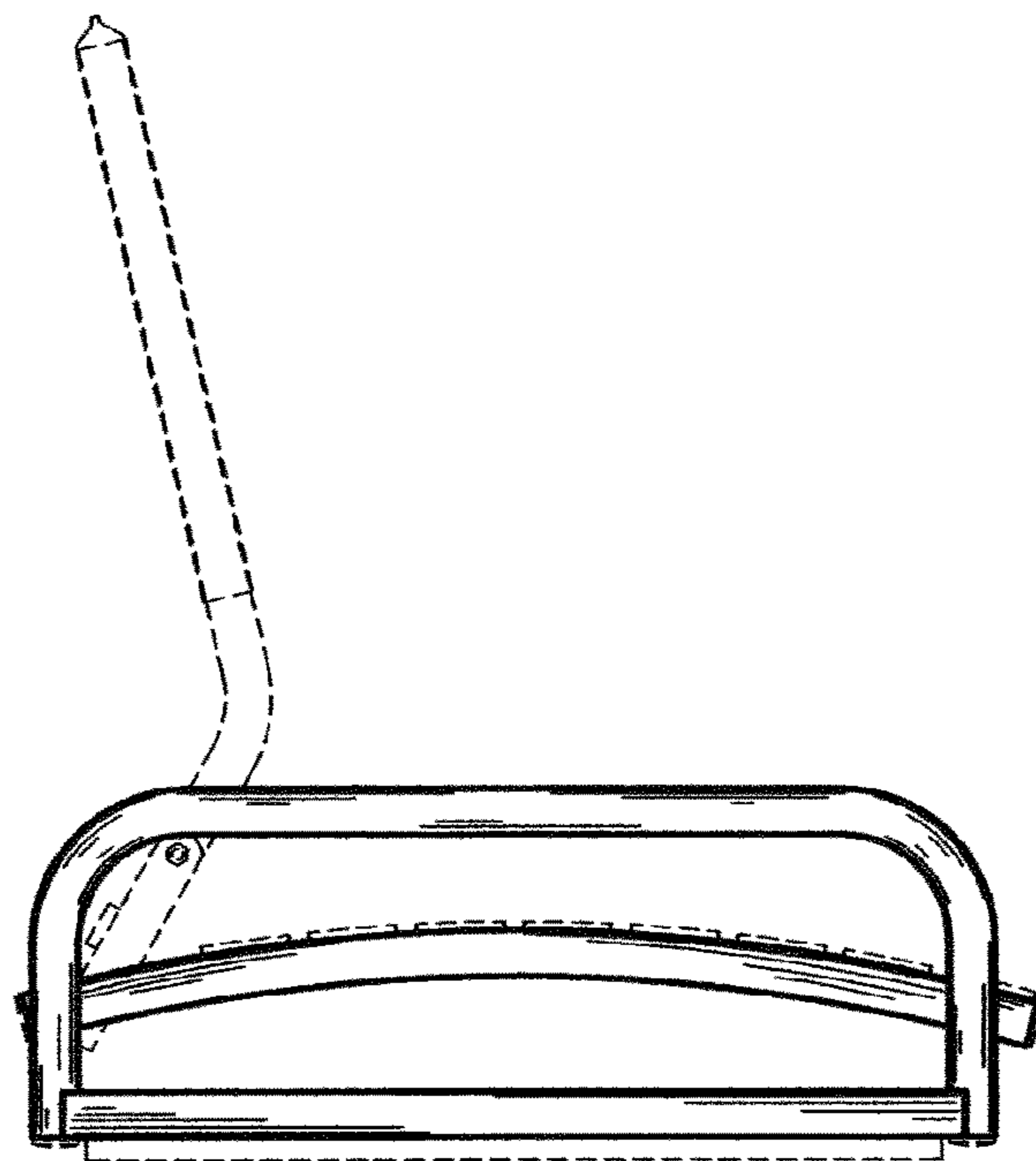


FIG. 6

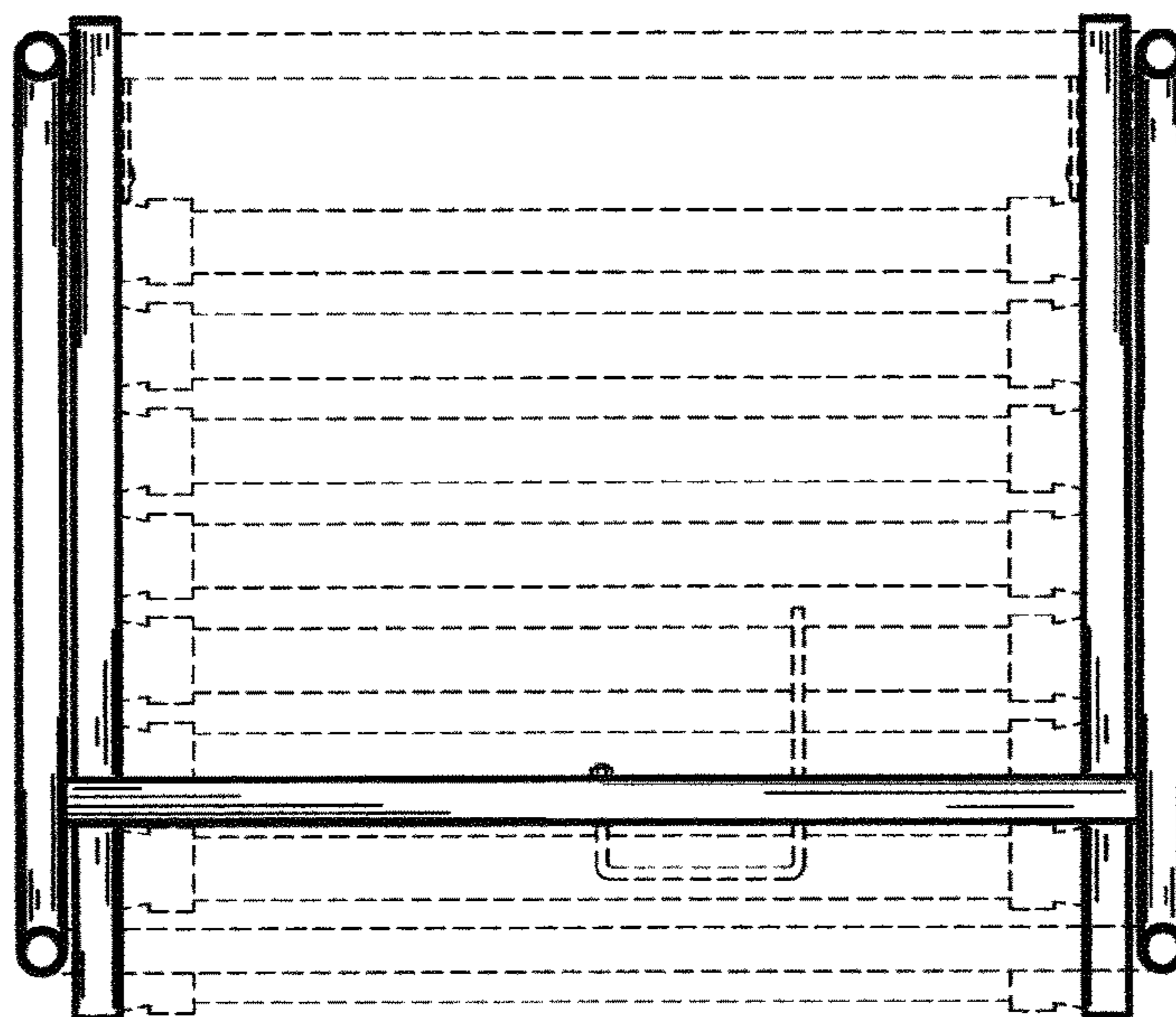


FIG. 7