



US00D693618S

(12) **United States Design Patent**
Lenterman

(10) **Patent No.:** **US D693,618 S**
(45) **Date of Patent:** **** Nov. 19, 2013**

- (54) **FOOTREST**
- (71) Applicant: **Intro-Tech Automotive, Inc.**, Chino, CA (US)
- (72) Inventor: **Henri B. Lenterman**, Chino Hills, CA (US)
- (73) Assignee: **Intro-Tech Automotive, Inc.**, Chino, CA (US)
- (**) Term: **14 Years**
- (21) Appl. No.: **29/464,870**
- (22) Filed: **Aug. 21, 2013**

D273,729	S	*	5/1984	Pelly et al.	D6/366
D274,865	S	*	7/1984	Murry	D6/360
D274,958	S	*	8/1984	Aronowitz et al.	D6/360
D296,623	S	*	7/1988	Chadwick et al.	D6/360
D333,055	S	*	2/1993	Kaye	D6/708.2
D410,880	S	*	6/1999	Conterno	D12/176
5,988,754	A	*	11/1999	Lamart et al.	297/423.38
6,149,239	A	*	11/2000	Markussen et al.	297/423.4
D488,630	S	*	4/2004	McCann	D6/366
D552,898	S	*	10/2007	Wei	D6/716.6
D587,476	S	*	3/2009	Lenterman	D6/366
D589,284	S	*	3/2009	Lenterman	D6/708.17
D611,262	S	*	3/2010	Grcic	D6/366
D657,149	S	*	4/2012	Lievore et al.	D6/360
D665,183	S	*	8/2012	Welsh	D6/360

* cited by examiner

Related U.S. Application Data

- (63) Continuation of application No. 29/434,688, filed on Oct. 16, 2012.
- (51) **LOC (9) Cl.** **06-01**
- (52) **U.S. Cl.**
USPC **D6/716.6**
- (58) **Field of Classification Search**
USPC D6/334-336, 356, 360, 364, 365, 366, D6/367, 374, 375, 379, 380, 708.17, 708.2, D6/708.23, 708.24, 708.25, 716, 716.1, D6/716.2, 716.3, 716.6, 716.7; 297/344.12, 344.18, 344.21, 423.1, 297/423.38, 423.4, 451.4, 451.5, 461, 297/463.1; 74/552, 558; D12/176
See application file for complete search history.

(56) **References Cited**

U.S. PATENT DOCUMENTS

1,174,215	A	*	3/1916	Wiegand	74/552
D93,051	S	*	8/1934	Schwarzko	D6/716.6
D257,473	S	*	11/1980	Wilson	D6/360

Primary Examiner — Mimoso De

(74) *Attorney, Agent, or Firm* — Intellectual Property Law Offices of Joel Voelzke, APC

(57) **CLAIM**

The ornamental design of a footrest, as shown and described.

DESCRIPTION

FIG. 1 is an oblique view of a footrest on a chair, showing my new design;
 FIG. 2 is a front elevation view thereof;
 FIG. 3 is back elevation view thereof;
 FIG. 4 is a side elevation view thereof;
 FIG. 5 is a side elevation view thereof, showing the side that is opposite the side shown in FIG. 4; and,
 FIG. 6 is a top plan view thereof.

The parts of the chair other than the footrest are shown in broken lines for illustration purposes only and form no part of the claimed design.

The characteristic feature of the design resides in the application of a part having the appearance of steering wheel to a footrest.

1 Claim, 6 Drawing Sheets

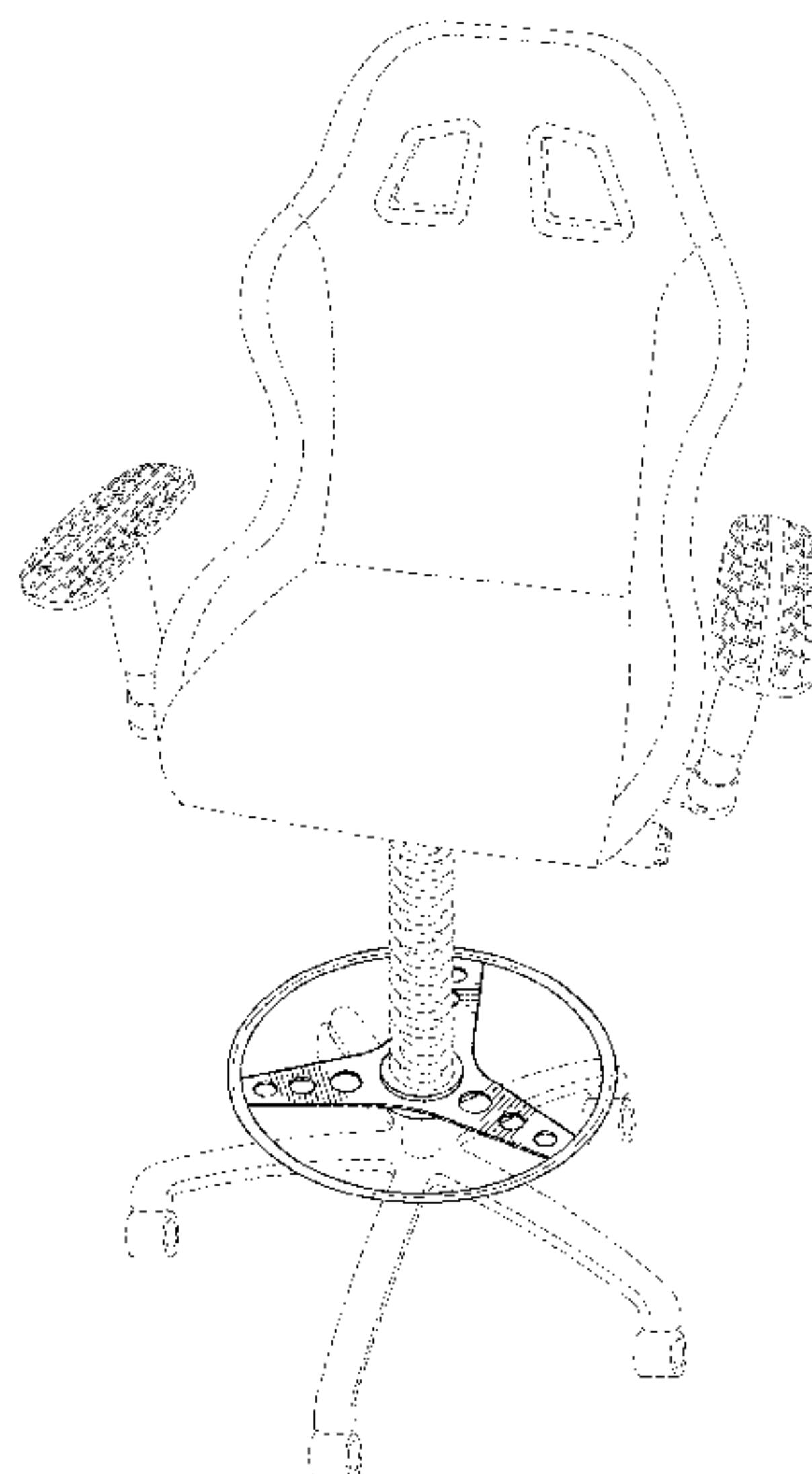


FIG. 1

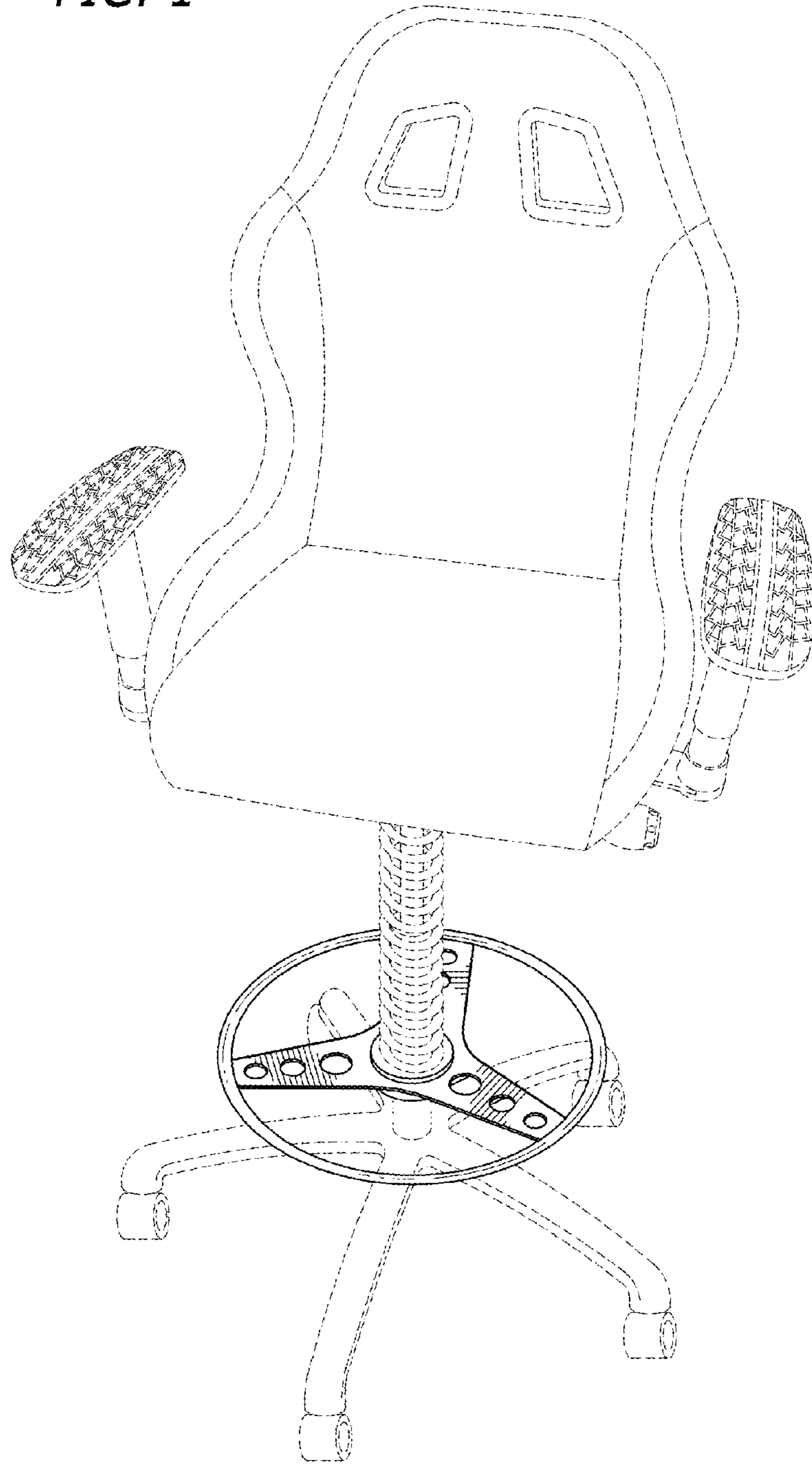


FIG. 2

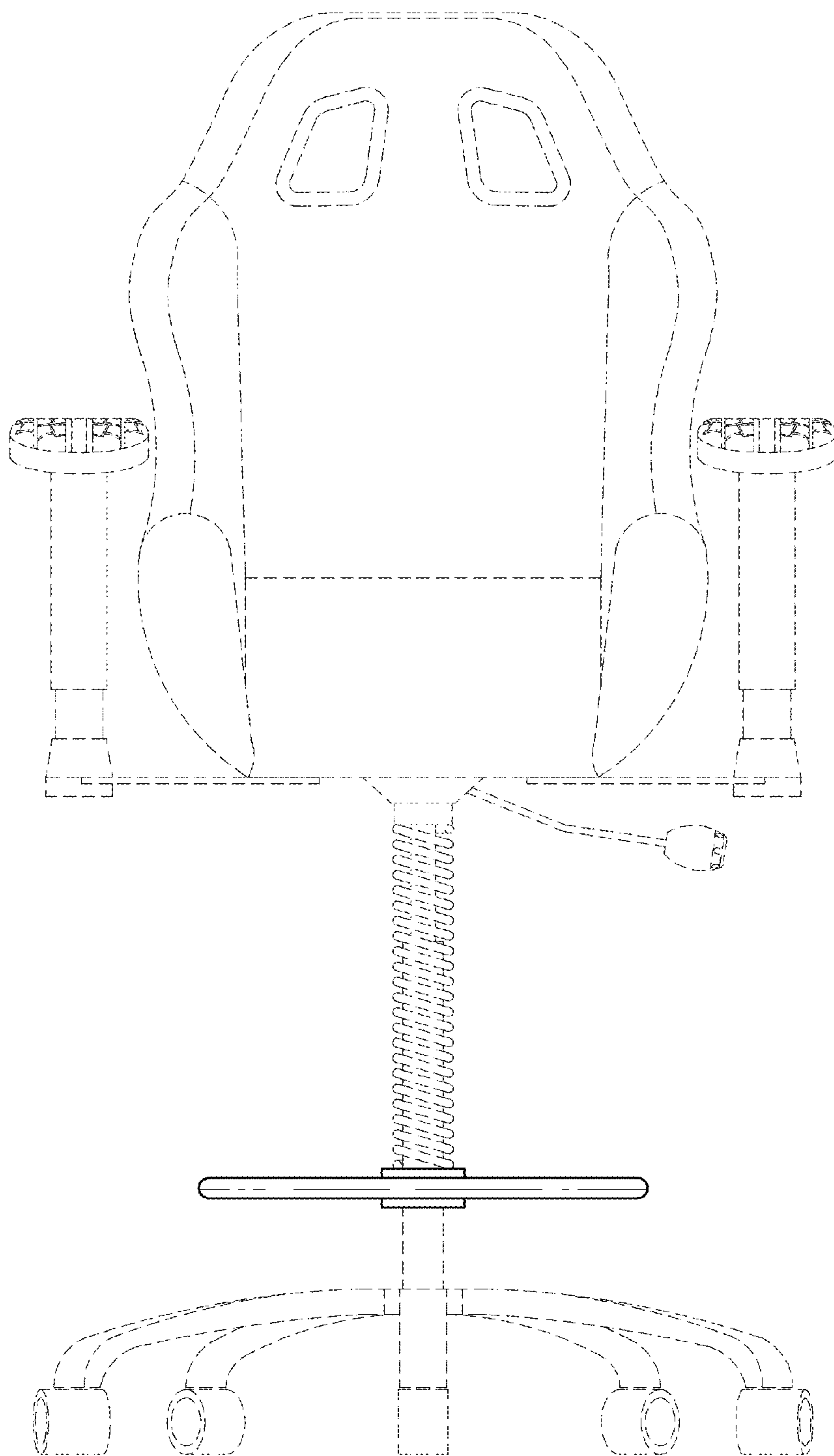


FIG. 3

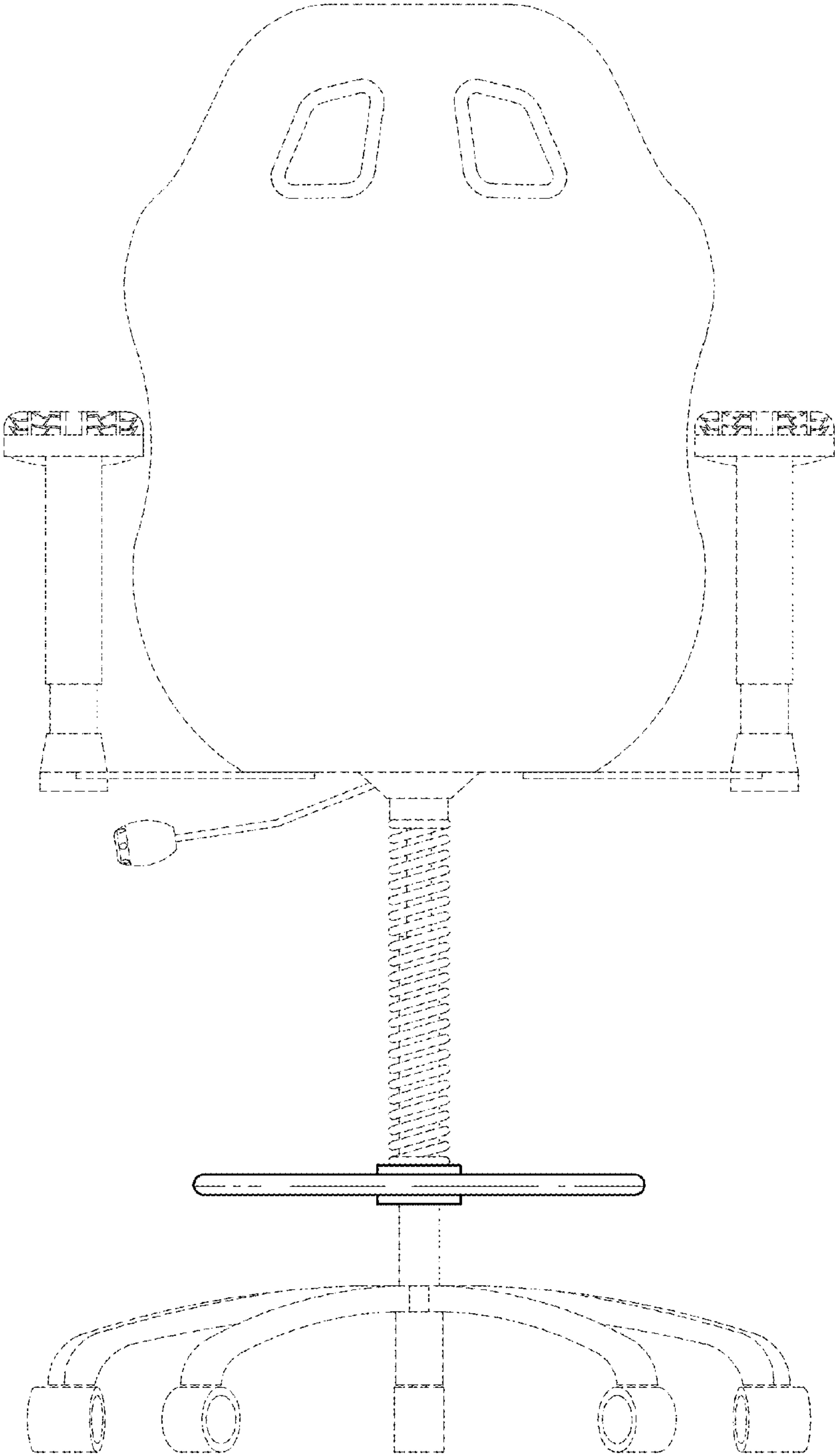


FIG. 4

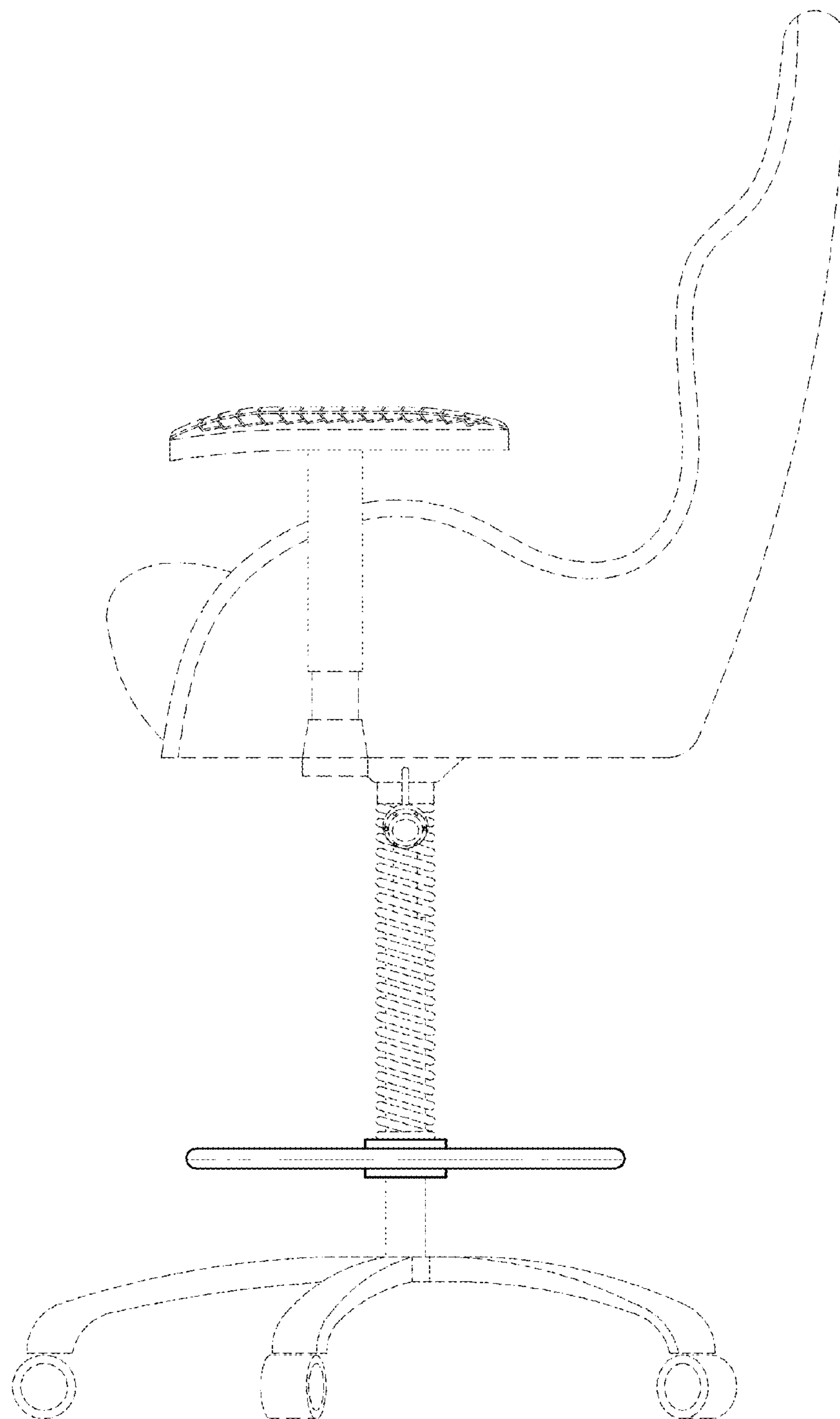


FIG. 5

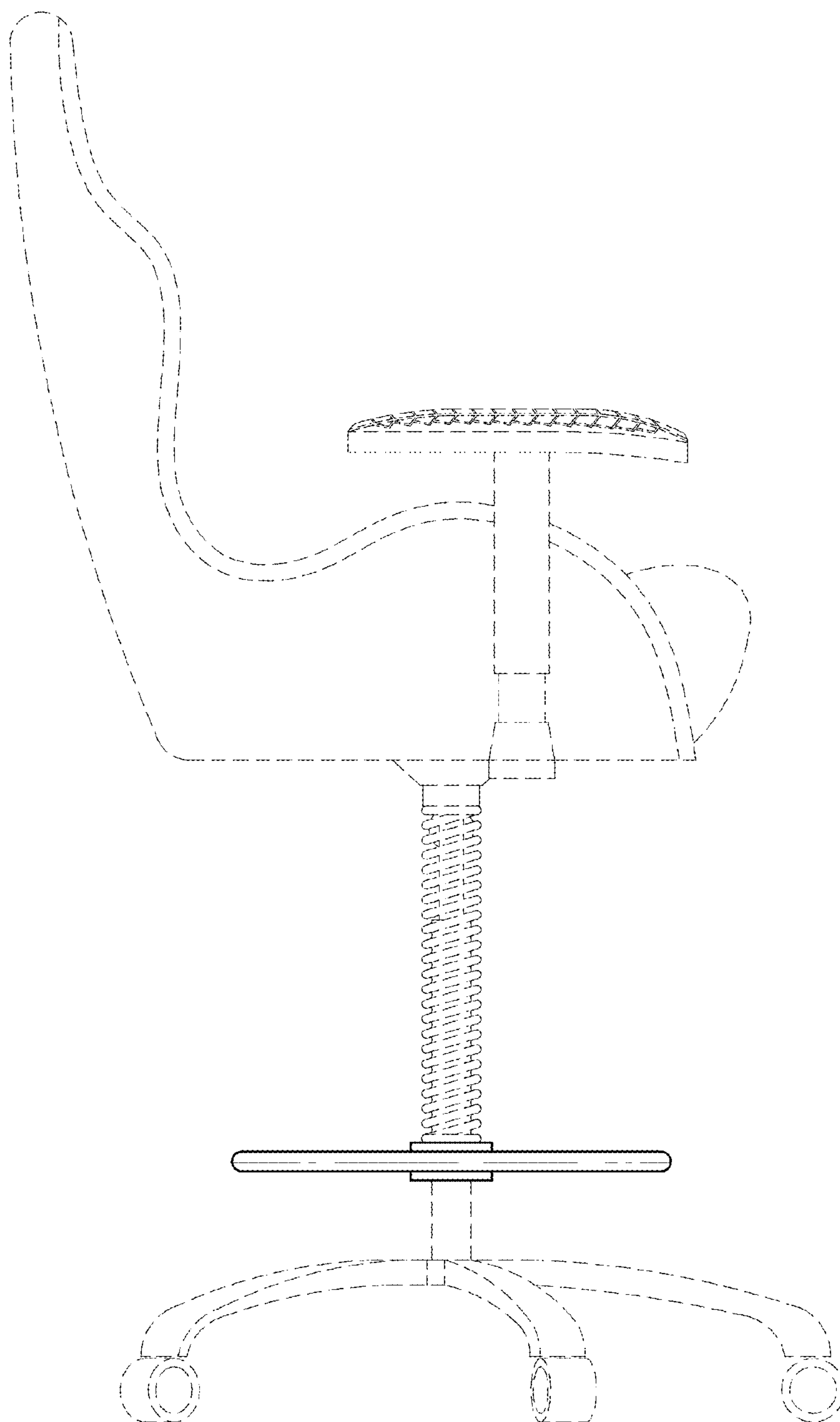


FIG. 6

