



US00D693616S

(12) **United States Design Patent**
Slayton

(10) **Patent No.:** **US D693,616 S**

(45) **Date of Patent:** **** Nov. 19, 2013**

(54) **RECLINED SWING**

(71) Applicant: **Berry Slayton**, Churubusco, IN (US)

(72) Inventor: **Berry Slayton**, Churubusco, IN (US)

(**) Term: **14 Years**

(21) Appl. No.: **29/455,293**

(22) Filed: **May 20, 2013**

Related U.S. Application Data

(60) Division of application No. 29/434,246, filed on Oct. 11, 2012, now Pat. No. Des. 682,585, which is a continuation of application No. 29/422,409, filed on May 21, 2012, now Pat. No. Des. 670,925, which is a division of application No. 29/380,183, filed on Dec. 1, 2010, now Pat. No. Des. 661,502.

(51) **LOC (9) Cl.** **06-01**

(52) **U.S. Cl.**
USPC **D6/716**

(58) **Field of Classification Search**
USPC D6/334-335, 344-347, 360-369,
D6/370-376, 379-381, 498, 500-502, 601,
D6/716; D21/823; 5/125; 297/273-278,
297/281, 284.1-284.5, 291, 297, 300.2,
297/303.1, 411.2, 411.27-411.29, 452.13,
297/452.19, 452.21, 452.29, 452.3, 452.56,
297/452.63; 472/118, 124-125

See application file for complete search history.

(56) **References Cited**

U.S. PATENT DOCUMENTS

| | | | | | |
|-----------|------|---------|---------|-------|---------|
| 2,300,586 | A * | 11/1942 | Meehan | | 5/125 |
| 2,547,891 | A * | 4/1951 | Smith | | 297/281 |
| 4,351,524 | A * | 9/1982 | Gomes | | 472/124 |
| D408,639 | S * | 4/1999 | Noll | | D6/347 |
| D440,057 | S * | 4/2001 | Tseng | | D6/344 |
| 6,672,665 | B1 * | 1/2004 | Tseng | | 297/281 |
| D485,997 | S * | 2/2004 | Tseng | | D6/347 |
| D522,259 | S * | 6/2006 | Wu | | D6/347 |
| D529,981 | S * | 10/2006 | Tseng | | D21/823 |
| 7,367,895 | B2 * | 5/2008 | Tseng | | 472/118 |
| 7,435,183 | B2 * | 10/2008 | Tseng | | 472/125 |
| D670,925 | S * | 11/2012 | Slayton | | D6/344 |
| D682,585 | S * | 5/2013 | Slayton | | D6/716 |

* cited by examiner

Primary Examiner — Ricky Pham

(74) *Attorney, Agent, or Firm* — Barnes & Thornburg LLP

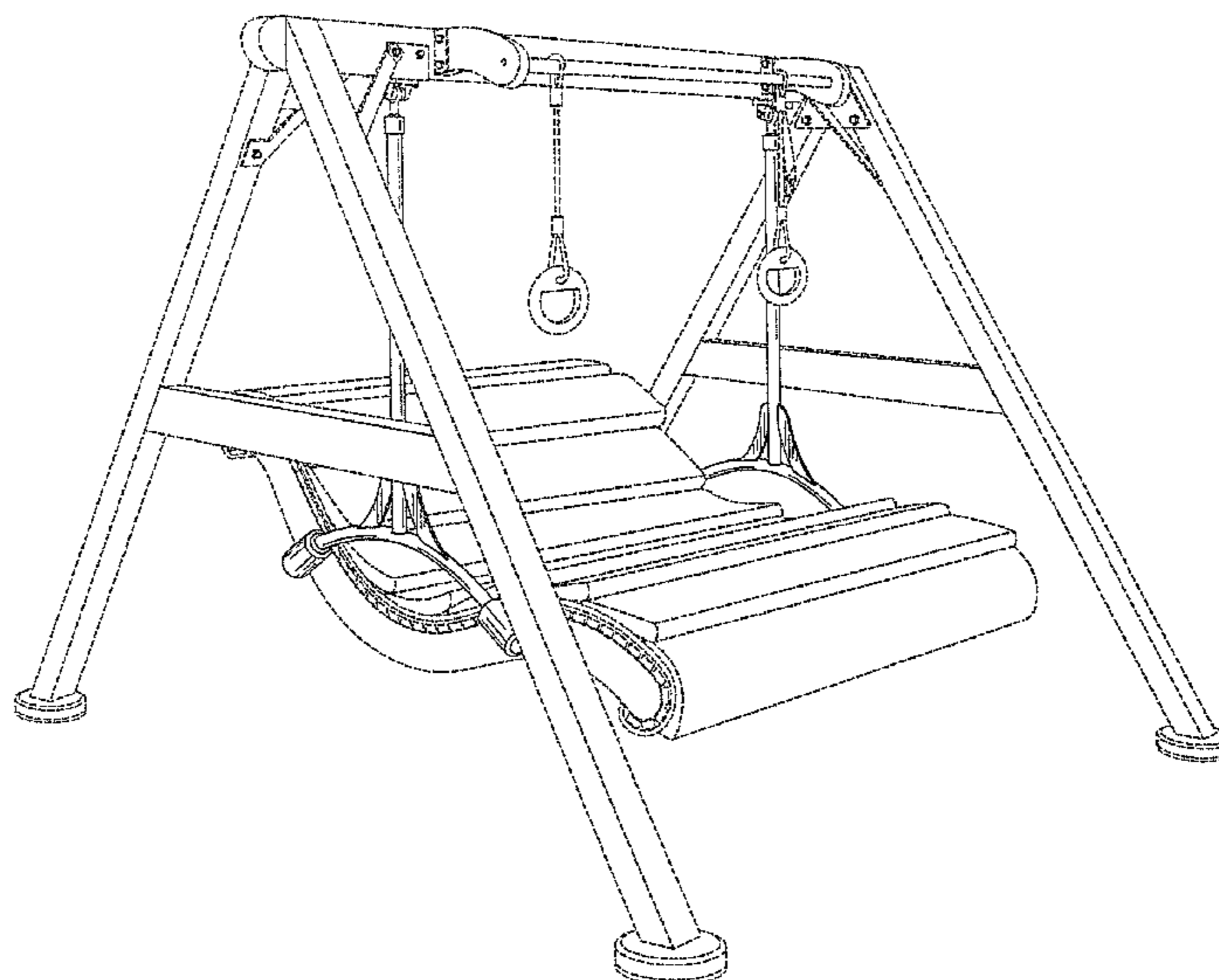
(57) **CLAIM**

The ornamental design for a reclined swing, as shown and described.

DESCRIPTION

FIG. 1 is a perspective view of a reclined swing showing my new design;
FIG. 2 is a front elevation view of the reclined swing of FIG. 1;
FIG. 3 is a rear elevation view of the reclined swing of FIG. 1;
FIG. 4 is a side view of the reclined swing of FIG. 1, the other side view of this reclined swing would be a mirror image of this view;
FIG. 5 is a top view of the reclined swing of FIG. 1; and,
FIG. 6 is bottom view of the reclined swing of FIG. 1.
Note that the dashed lines shown in these drawings do not form part of the claimed invention.

1 Claim, 6 Drawing Sheets



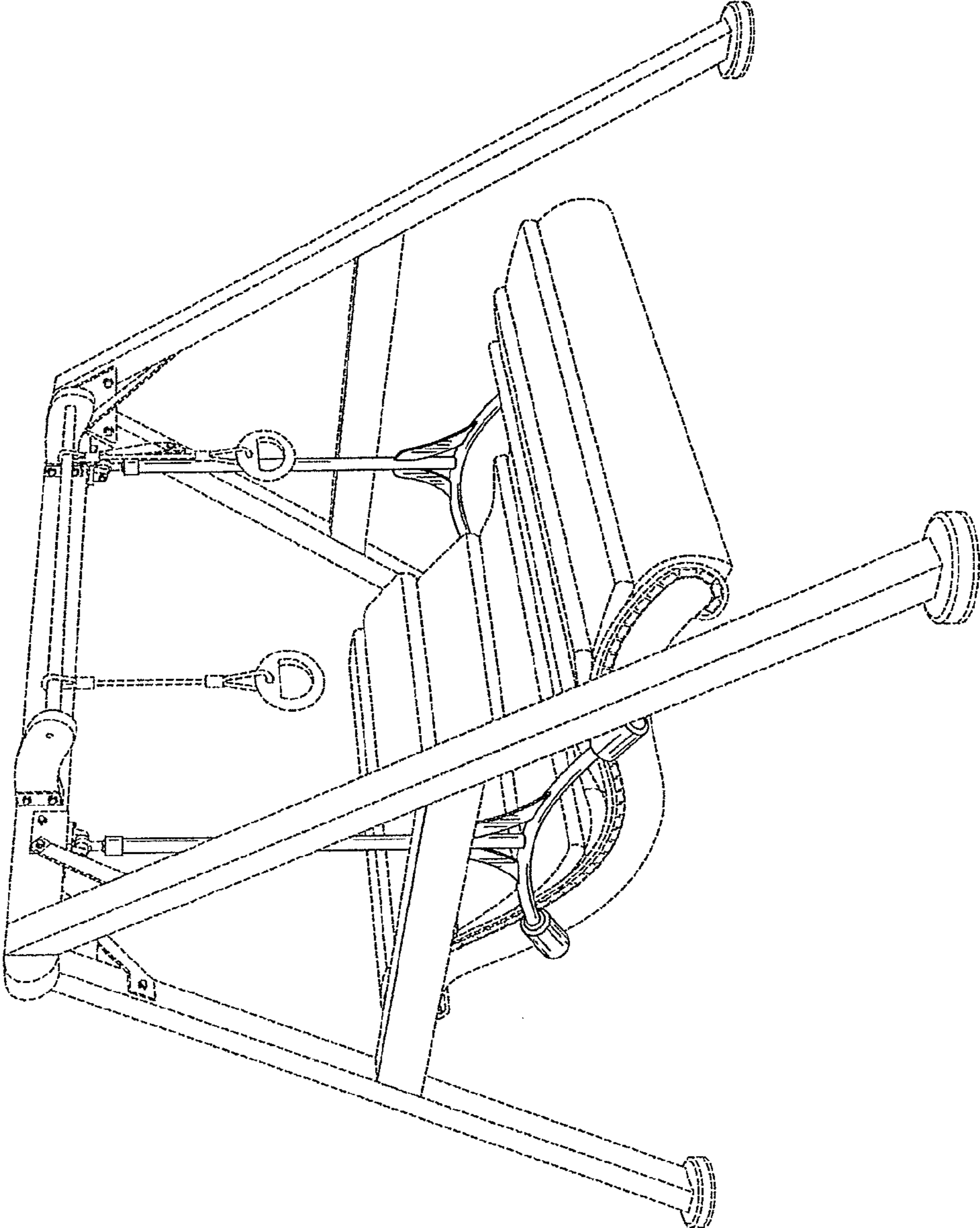


Fig. 1

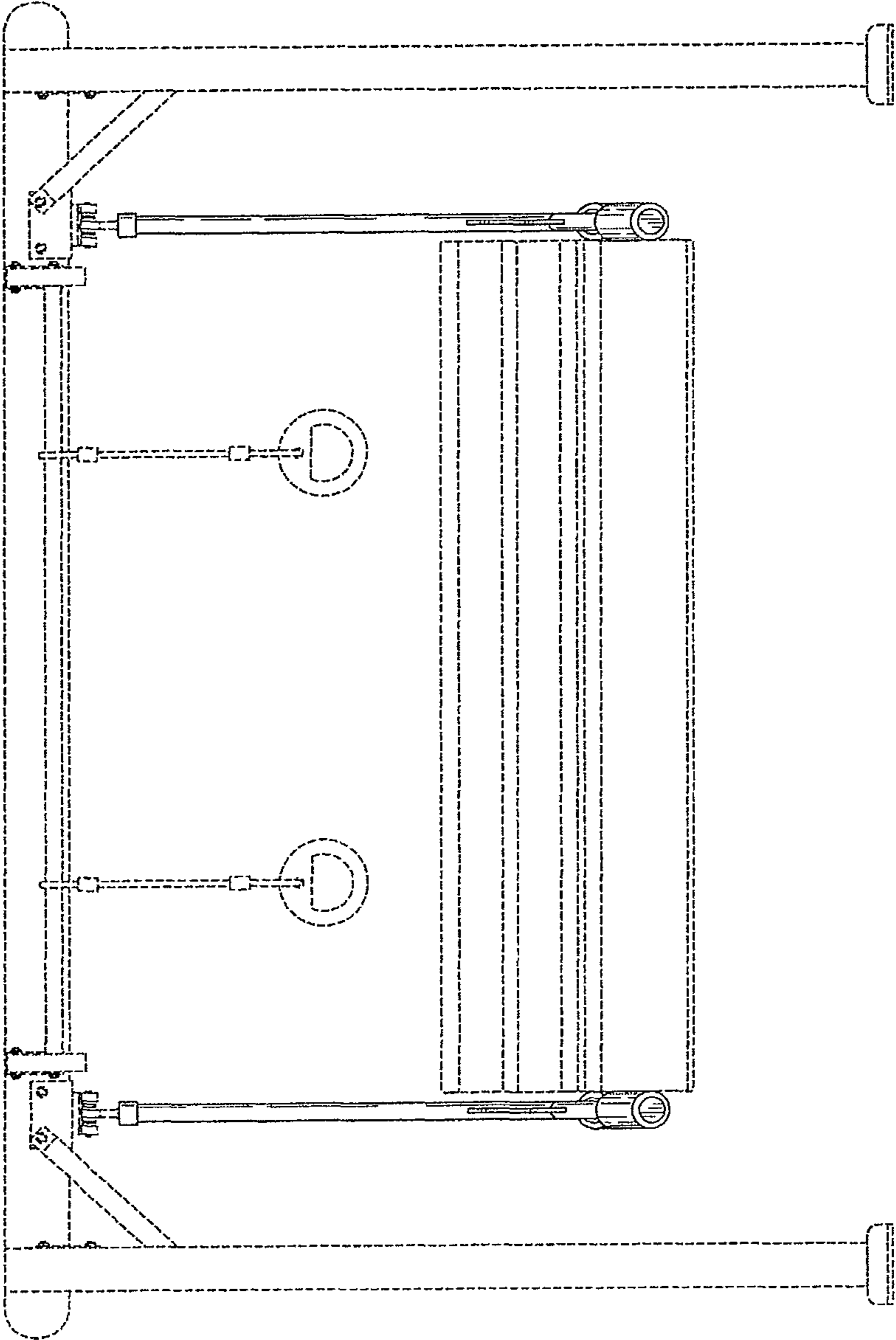


Fig. 2

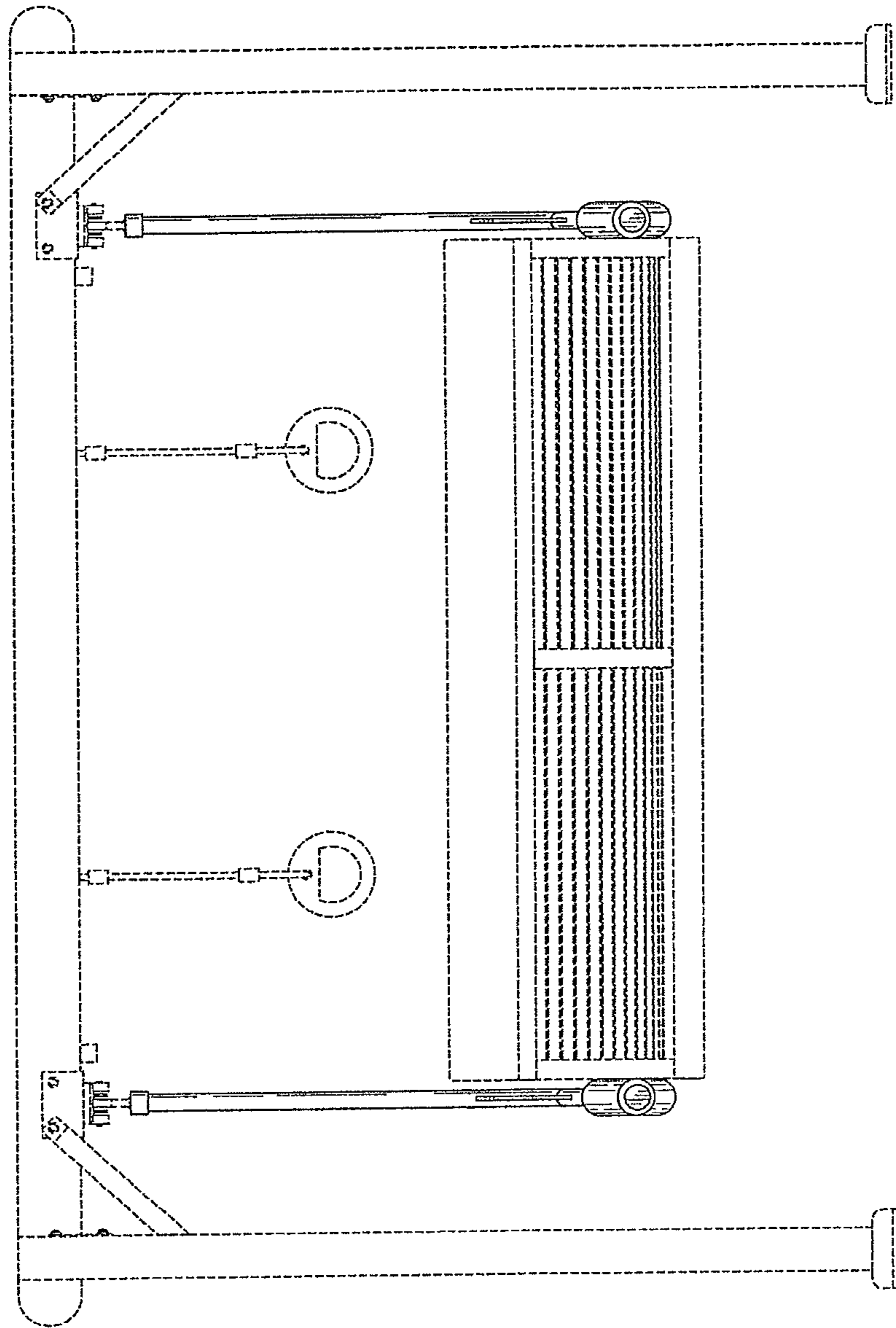


Fig. 3

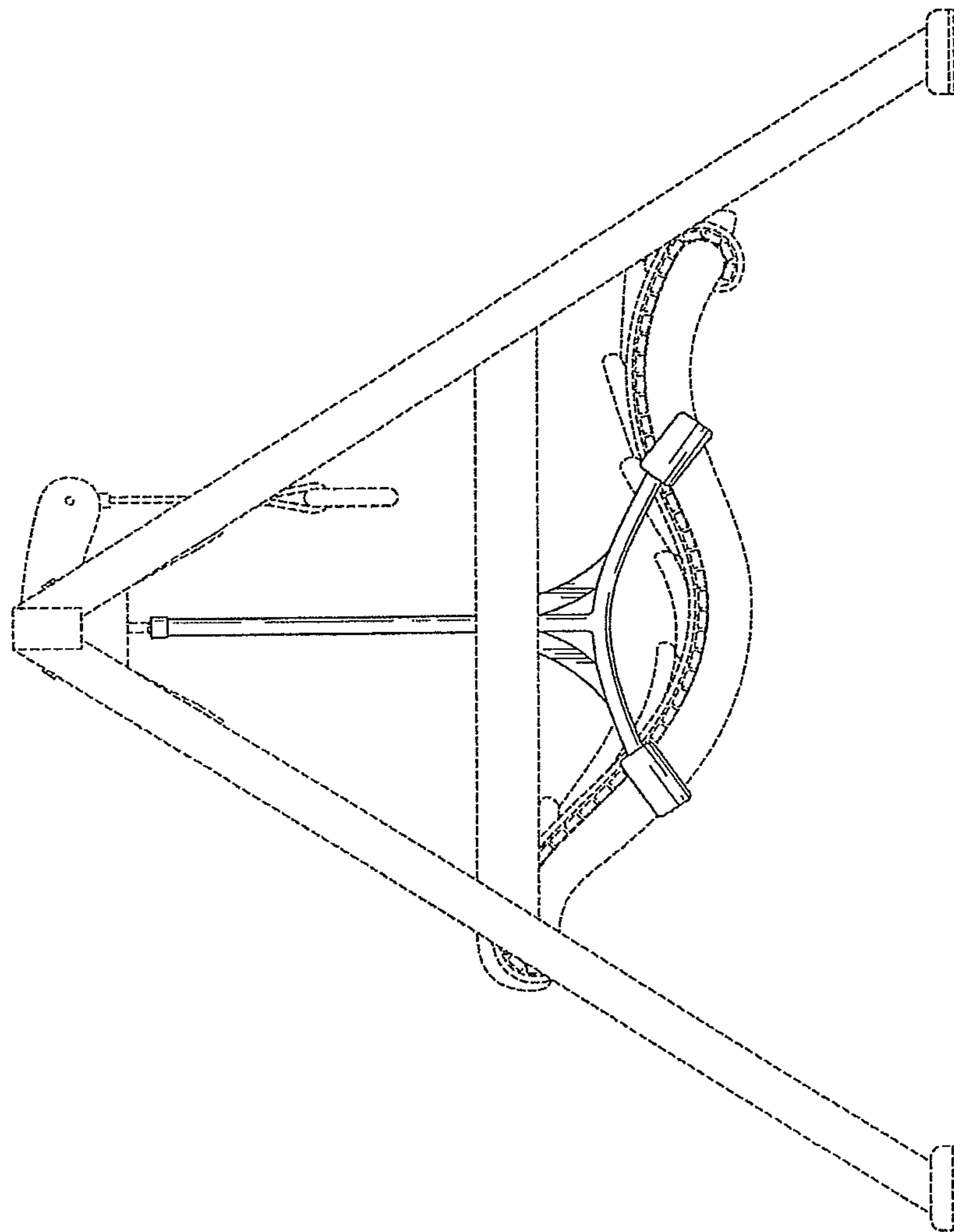


Fig. 4

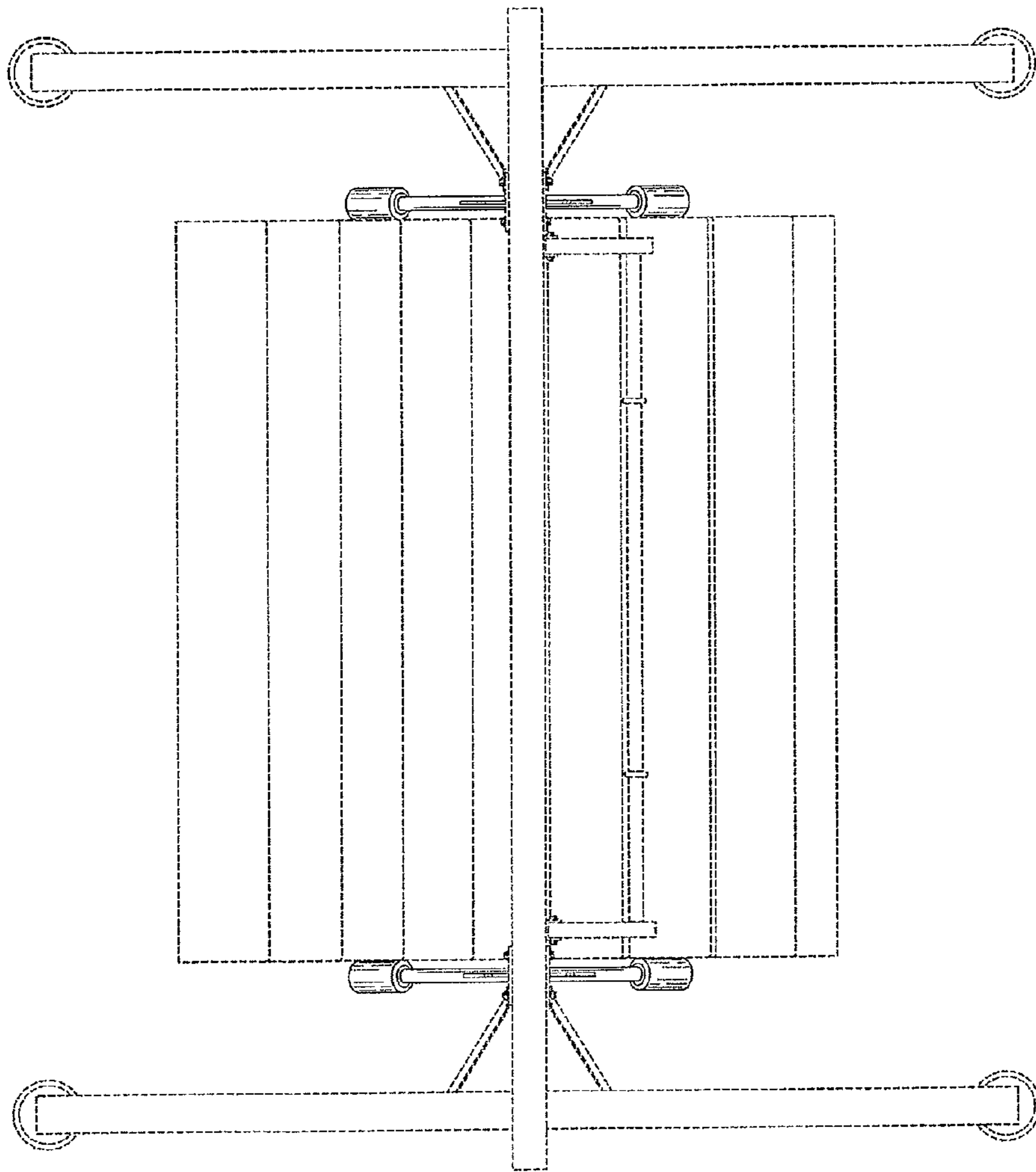


Fig. 5

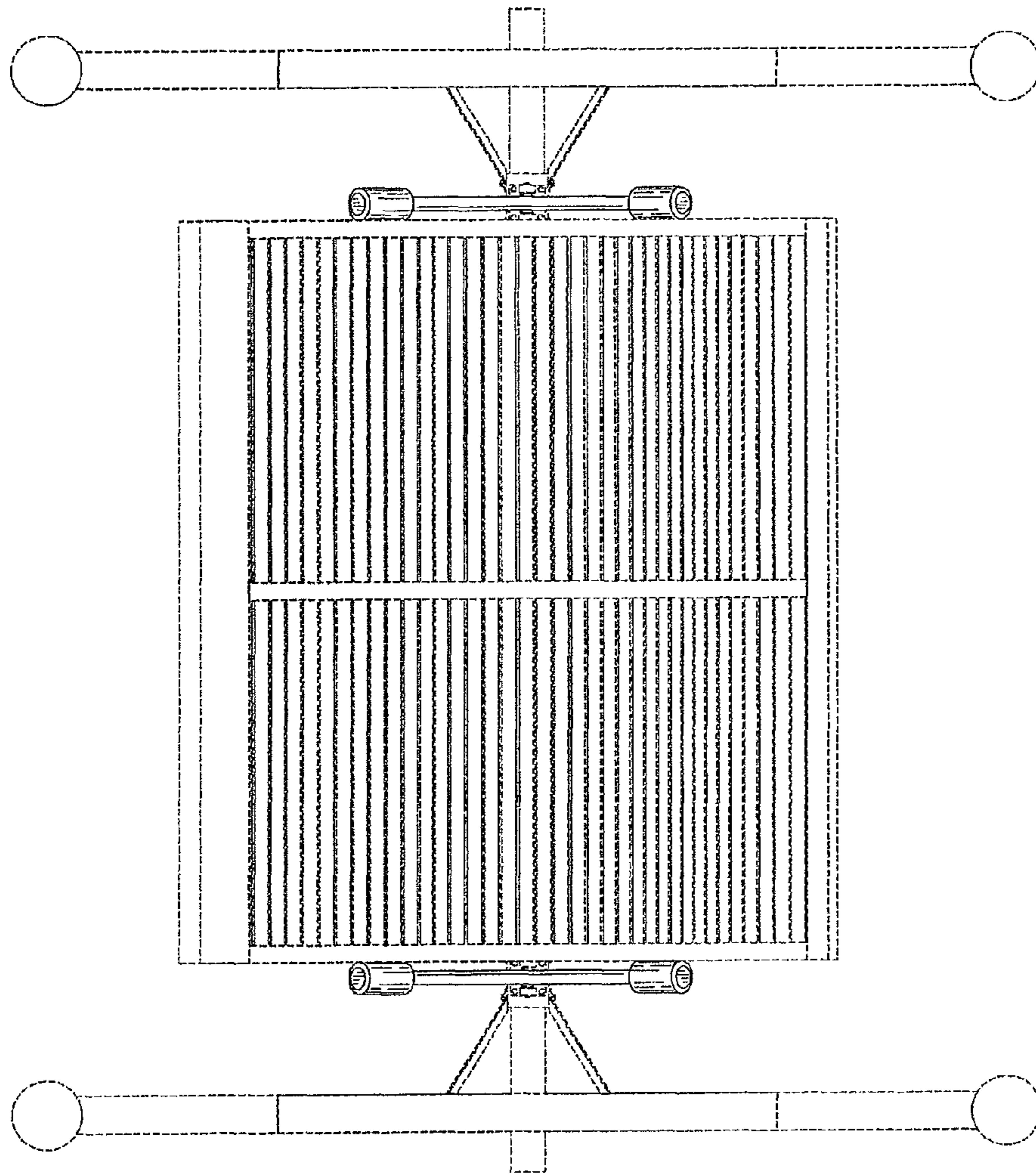


Fig. 6