

US00D693615S

(12) **United States Design Patent**
Lenterman

(10) **Patent No.:** **US D693,615 S**
(45) **Date of Patent:** **** Nov. 19, 2013**

- (54) **SUPPORT FOR A CHAIR**
- (71) Applicant: **Intro-Tech Automotive, Inc.**, Chino, CA (US)
- (72) Inventor: **Henri B. Lenterman**, Chino Hills, CA (US)
- (73) Assignee: **Intro-Tech Automotive, Inc.**, Chino, CA (US)
- (**) Term: **14 Years**
- (21) Appl. No.: **29/464,876**
- (22) Filed: **Aug. 21, 2013**

3,977,064	A *	8/1976	Mote et al.	29/216
D273,729	S *	5/1984	Pelly et al.	D6/366
D273,917	S *	5/1984	Pelly et al.	D6/366
4,872,635	A *	10/1989	Knoblock et al.	297/344.21
D328,395	S *	8/1992	Neuser	D6/366
D333,055	S *	2/1993	Kaye	D6/708.2
D337,442	S *	7/1993	Baker	D6/366
D348,163	S *	6/1994	Akins	D6/718.31
D371,474	S *	7/1996	Koopman	
D381,823	S *	8/1997	Ellsworth et al.	D6/360
5,964,312	A	10/1999	Maldonado	
7,159,943	B2	1/2007	Costaglia	
D586,155	S	2/2009	Lenterman	
D587,476	S	3/2009	Lenterman	
D587,501	S	3/2009	Lenterman	
D589,284	S *	3/2009	Lenterman	D6/708.17
8,079,644	B1 *	12/2011	Pangilinan	297/461

* cited by examiner

Related U.S. Application Data

- (63) Continuation of application No. 29/434,688, filed on Oct. 16, 2012.
- (51) **LOC (9) Cl.** **06-01**
- (52) **U.S. Cl.**
USPC **D6/708.17**
- (58) **Field of Classification Search**
USPC D6/334-336, 356, 360, 364, 365, 366, D6/367, 374, 375, 379, 380, 708.17, 708.2, D6/708.23, 708.24, 708.25, 716, 716.1, D6/716.2, 716.3, 716.6, 716.7, 718.31; 297/344.12, 344.18, 344.21, 423.1, 297/423.38, 423.4, 451.4, 451.5, 461, 297/463.1; 248/188.7, 406.2; 29/216
See application file for complete search history.

Primary Examiner — Mimoso De

(74) *Attorney, Agent, or Firm* — Intellectual Property Law Offices Joel Voelzke, APC

(57) **CLAIM**

The ornamental design of a support for a chair, as shown and described.

DESCRIPTION

FIG. 1 is an oblique view of a chair having a vertical support therefor, showing my new design;
 FIG. 2 is a front elevation view thereof;
 FIG. 3 is back elevation view thereof;
 FIG. 4 is a side elevation view thereof;
 FIG. 5 is a side elevation view thereof, showing the side that is opposite the side shown in FIG. 4; and,
 FIG. 6 is a top plan view thereof.

The characteristic feature of the design resides in the application of a part having the appearance of an automotive coil spring to a support for a chair.

The parts of the chair other than the support are shown in broken lines for illustration purposes only and form no part of the claimed design.

1 Claim, 6 Drawing Sheets

(56) **References Cited**

U.S. PATENT DOCUMENTS

504,460	A *	9/1893	Snider	297/344.21
1,013,265	A *	1/1912	Applas	297/344.21
1,236,826	A *	8/1917	Durland	29/216
1,380,654	A *	6/1921	Larson	29/216
1,632,834	A *	6/1927	Greene et al.	29/216
2,044,021	A *	6/1936	Schachtel	248/188.7
D232,398	S *	8/1974	Sottsass, Jr.	D6/366

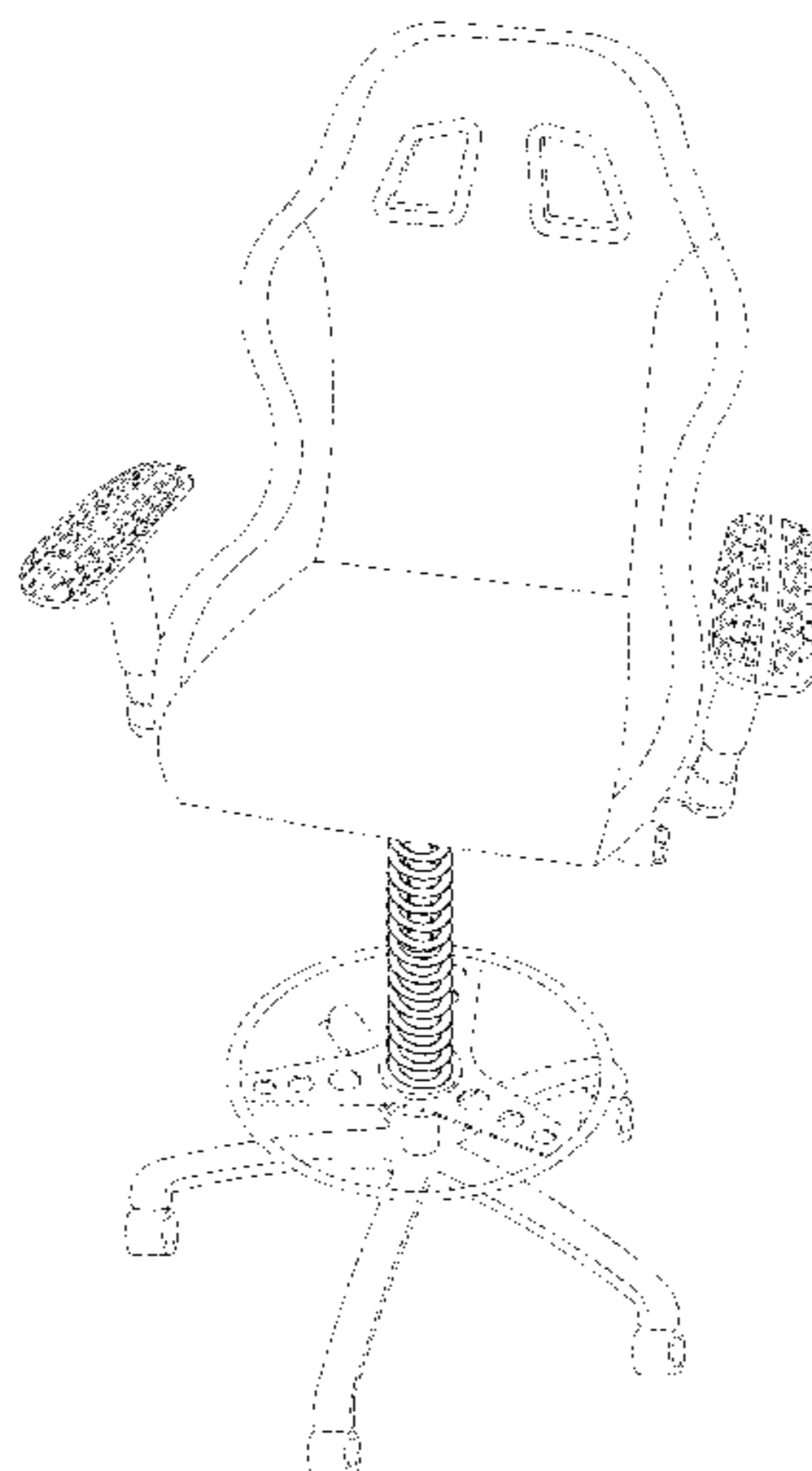


FIG. 1

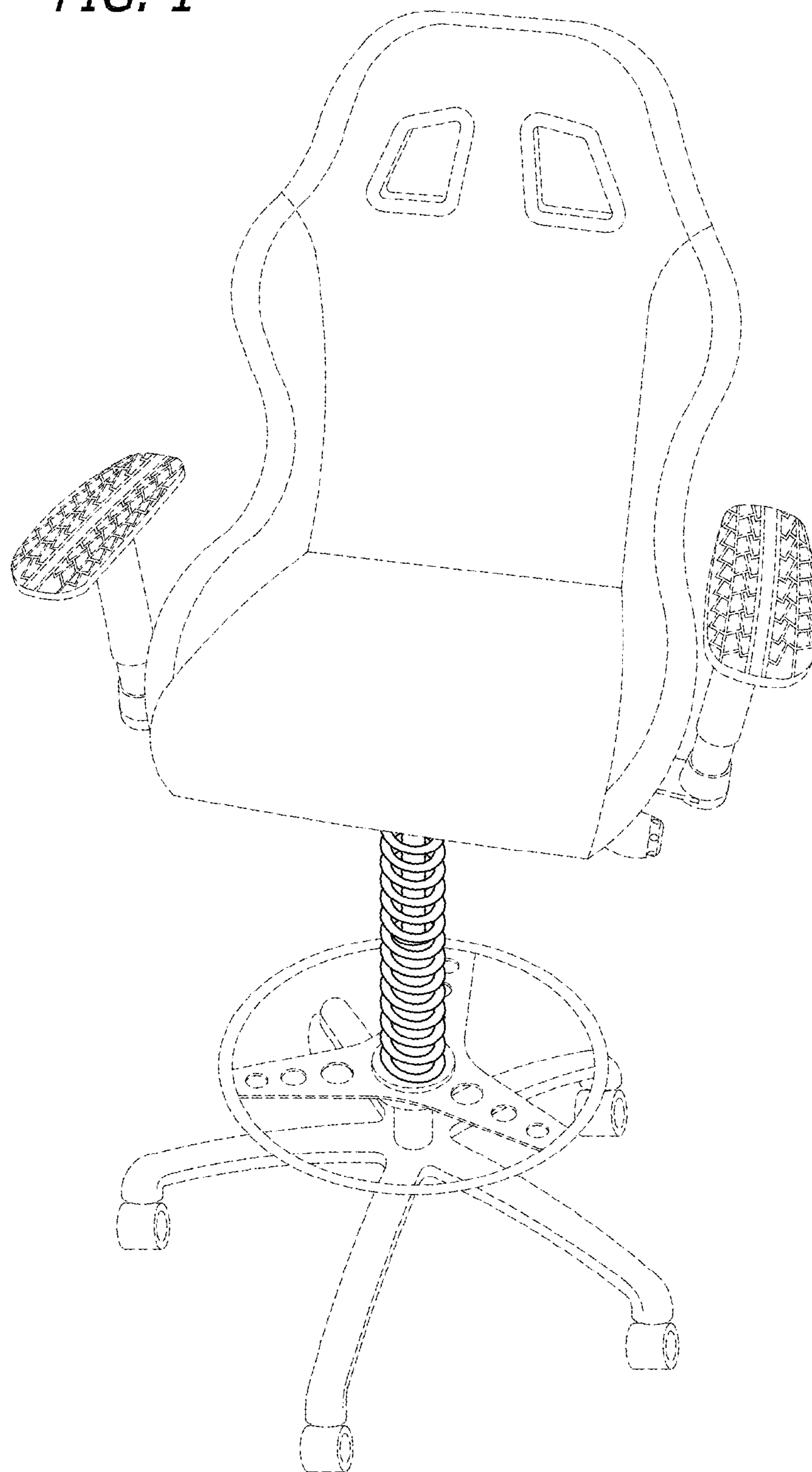


FIG. 2

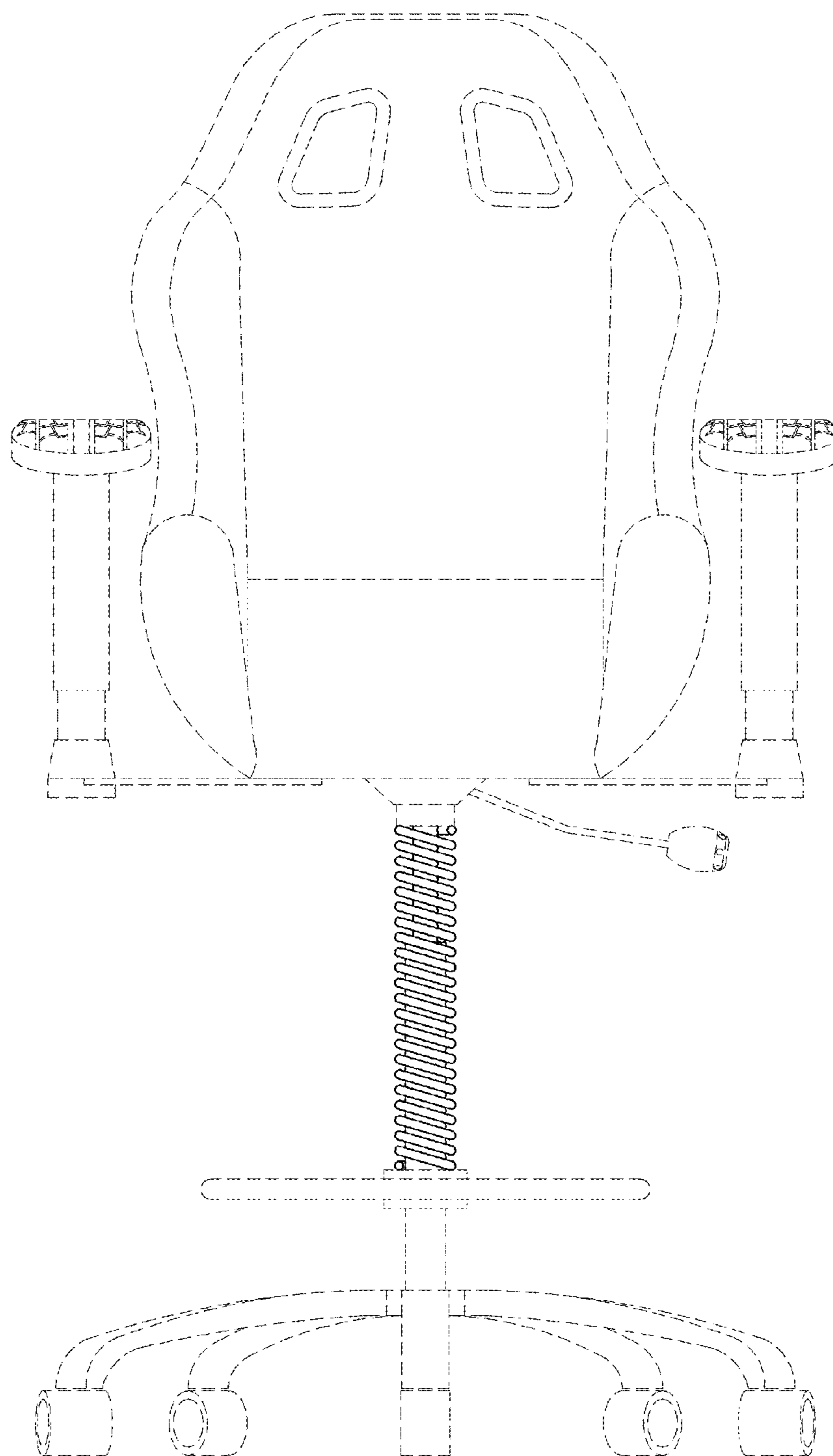


FIG. 3

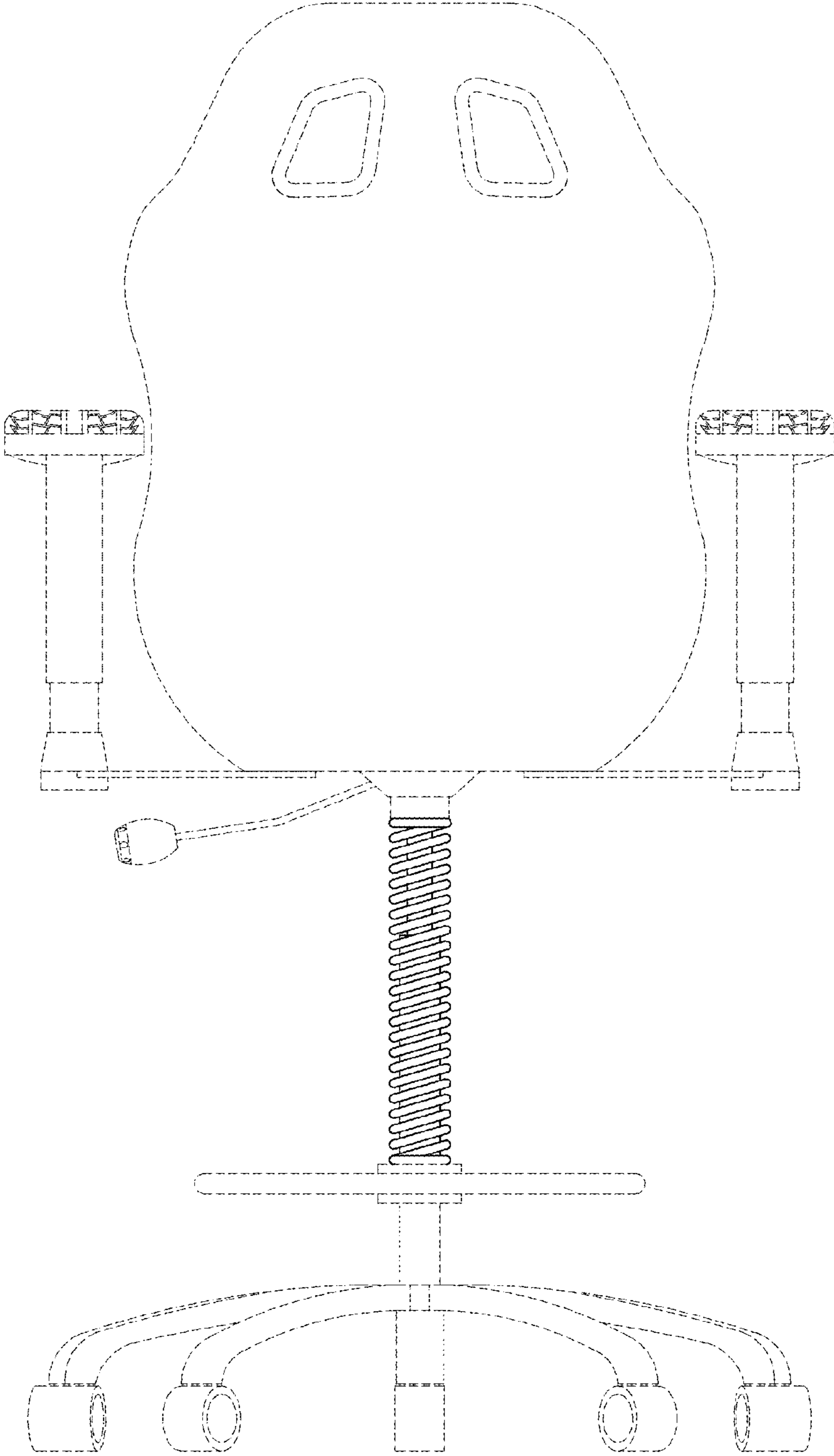


FIG. 4

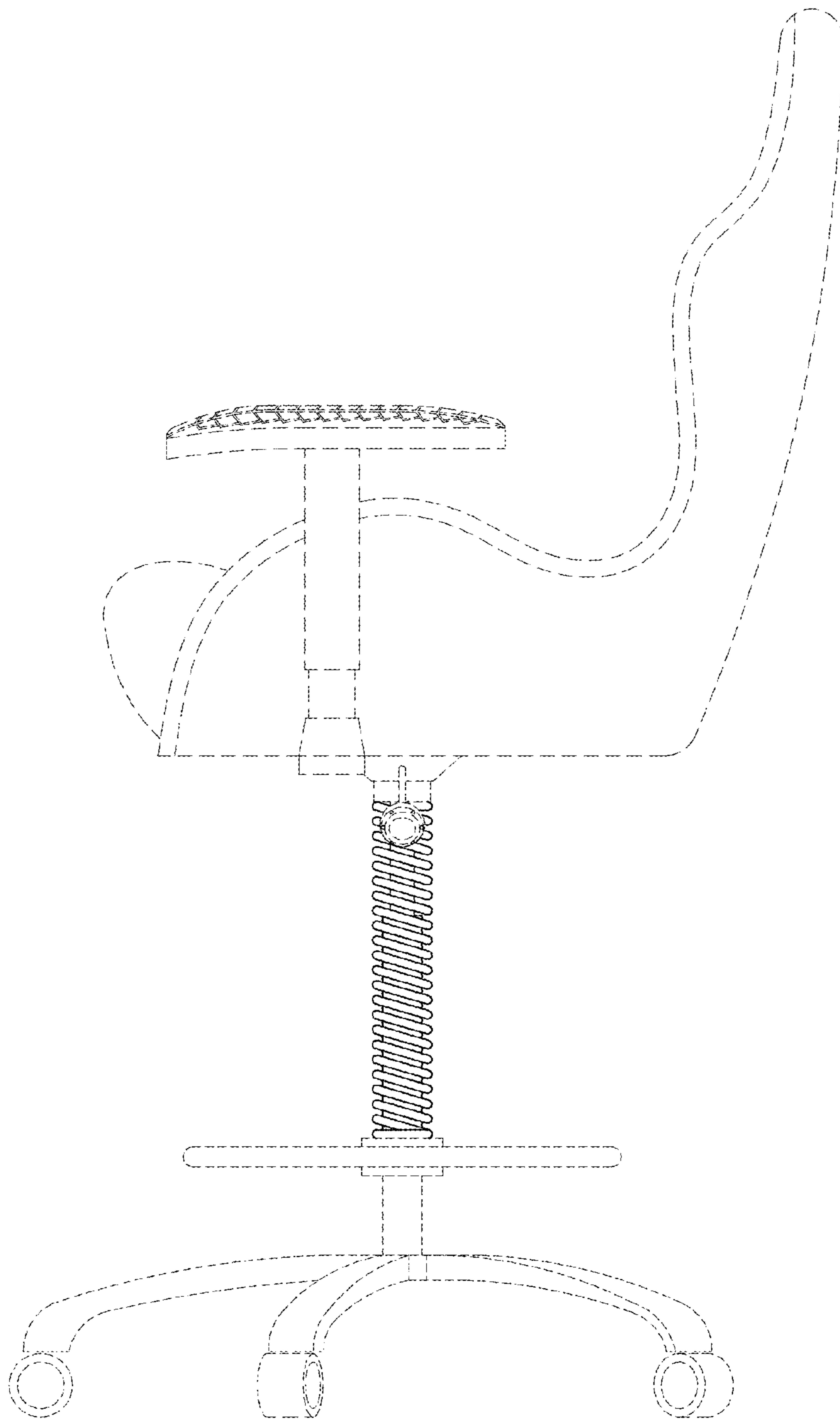


FIG. 5

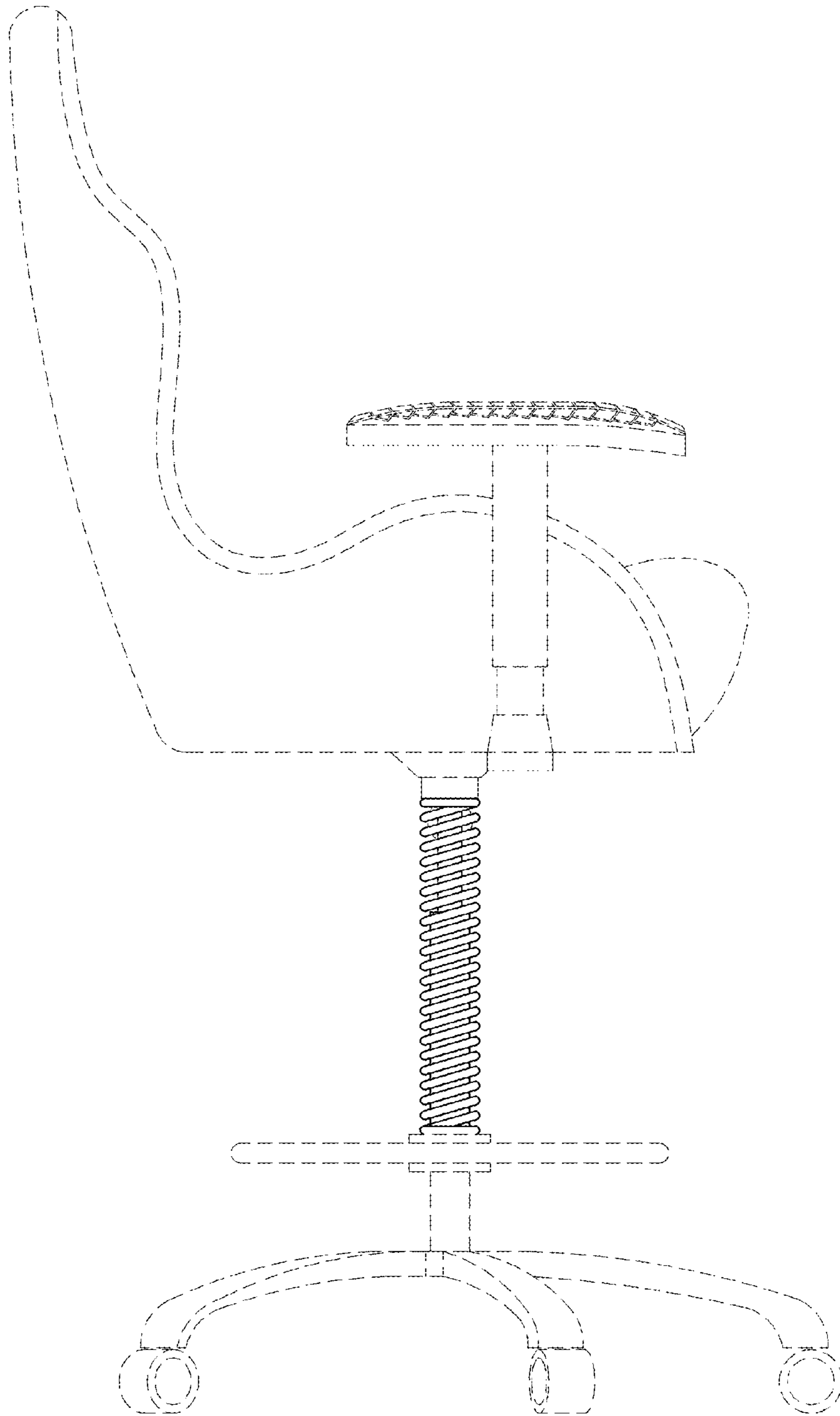


FIG. 6

