

US00D693614S

(12) **United States Design Patent**
Polidoros

(10) **Patent No.:** **US D693,614 S**
(45) **Date of Patent:** **** Nov. 19, 2013**

(54) **STAND**

FOREIGN PATENT DOCUMENTS

(75) Inventor: **Nicholas Polidoros**, Mitcham (AU)

JP 59134424 11/1987

(73) Assignee: **IHS Global Design Pty. Ltd.** (AU)

OTHER PUBLICATIONS

(**) Term: **14 Years**

(21) Appl. No.: **29/424,879**

(22) Filed: **Jun. 16, 2012**

Bloomerry, Rosewood foldable tray table, 1stdibs.com, http://www.1stdibs.com/furniture_item_print.php?id=664172, available at least as early as Nov. 2, 2012.

Fornasetti Lacquered Tray Table, 1stdibs.com, http://www.1stdibs.com/furniture_item_print.php?id=700614, available at least as early as Nov. 2, 2012.

Mark Frisman, Hans Wegner Occasional Table in Teak, 1stdibs.com, http://www.1stdibs.com/furniture_item_print.php?id=711797, available at least as early as Nov. 2, 2012.

Dual, Nest of Occasional Tables Bertha Schaefer for M. Singer & Sons, 1stdibs.com, http://www.1stdibs.com/furniture_item_print.php?id=330714, available at least as early as Nov. 2, 2012.

G4 Décor, Tole Tray with Stand, 1stdibs.com, http://www.1stdibs.com/furniture_item_print.php?id=499089, available at least as early as Nov. 2, 2012.

Related U.S. Application Data

(63) Continuation of application No. 12/377,096, filed as application No. PCT/AU2007/000589 on May 4, 2007, now abandoned.

(51) **LOC (9) Cl.** **06-06**

(52) **U.S. Cl.**
USPC **D6/708.16**

(58) **Field of Classification Search**
USPC D6/480-489, 495-499, 349, 708.16,
D6/692.4, 677.5, 680.3, 681, 681.3;
108/153.1, 155, 156, 157.1, 161,
108/157.16, 157.18; 248/188, 188.1, 188.8,
248/188.6, 167

See application file for complete search history.

* cited by examiner

Primary Examiner — Janice Seeger

(74) *Attorney, Agent, or Firm* — Saidman DesignLaw Group

(57) **CLAIM**

The ornamental design for a stand, as shown and described.

DESCRIPTION

FIG. 1 is a side perspective view of a stand showing my new design;

FIG. 2 is a top view thereof;

FIG. 3 is a bottom view thereof;

FIG. 4 is a side view thereof looking along line 4-4 of FIG. 2; and,

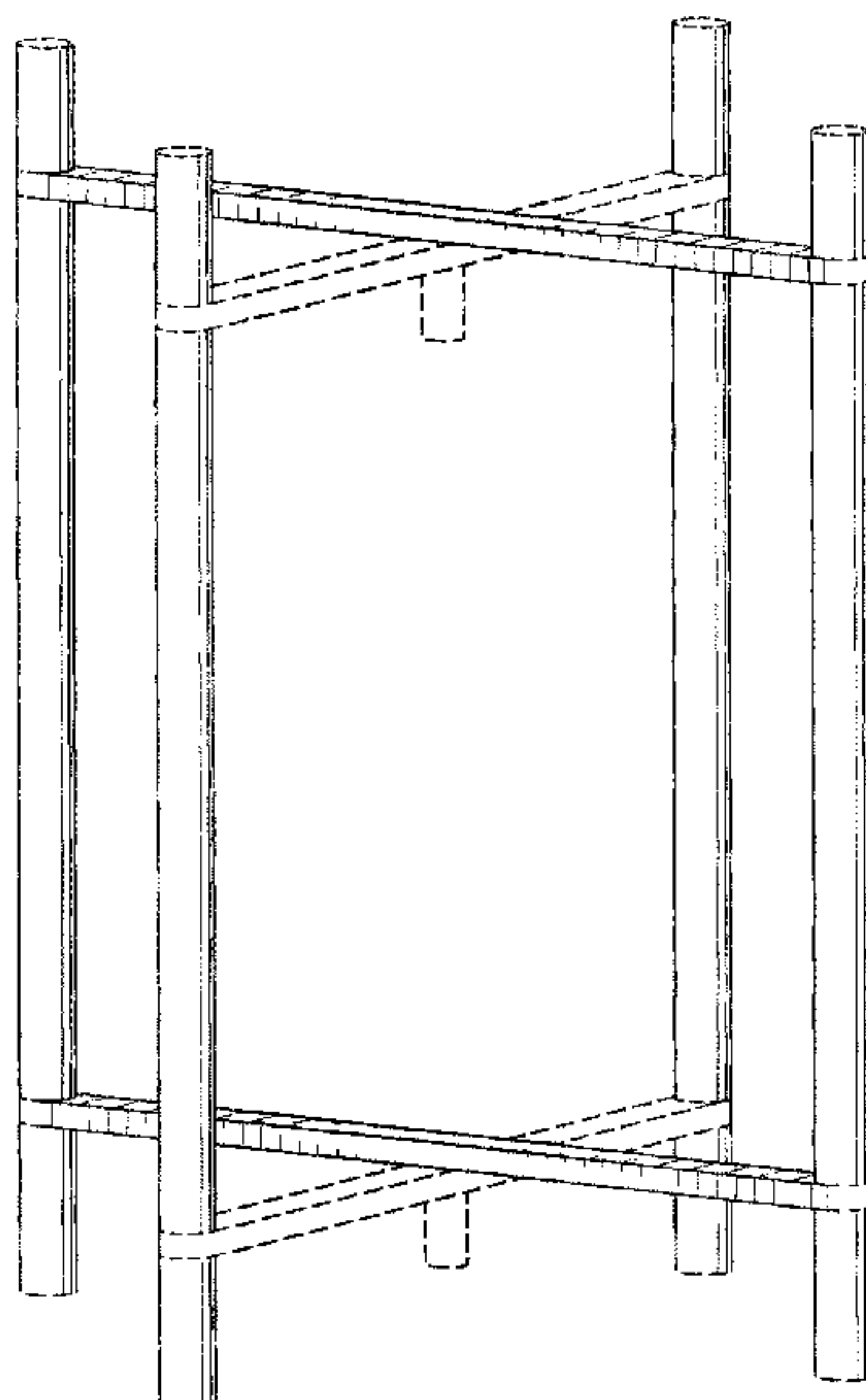
FIG. 5 is a side view thereof looking along line 5-5 of FIG. 2. Portions of the accompanying drawings that appear in phantom lines do not form part of the invention as claimed.

(56) **References Cited**

U.S. PATENT DOCUMENTS

587,219	A	7/1897	Maes	
2,010,342	A *	8/1935	Woods	108/157.18
2,190,623	A	2/1940	Benson	
RE30,020	E	6/1979	Spencer et al.	
D413,210	S *	8/1999	Haserjian	D6/458
D461,342	S *	8/2002	Spitler	D6/488
D606,337	S *	12/2009	Lee	D6/488
D662,735	S	7/2012	Polidoros	
2008/0143166	A1 *	6/2008	de Oliveira	297/440.14
2010/0147200	A1 *	6/2010	Polidoros	108/157.16

1 Claim, 4 Drawing Sheets



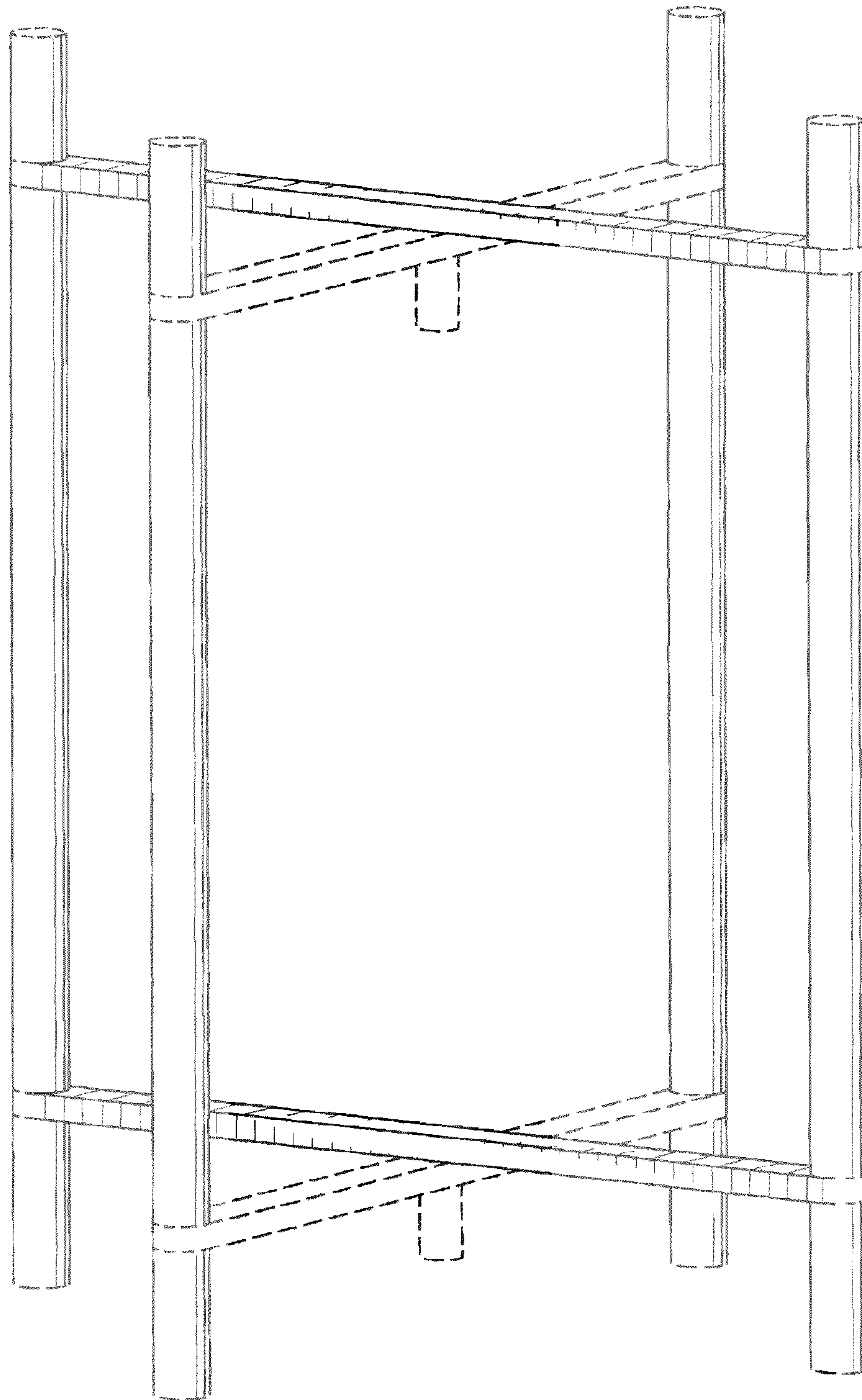
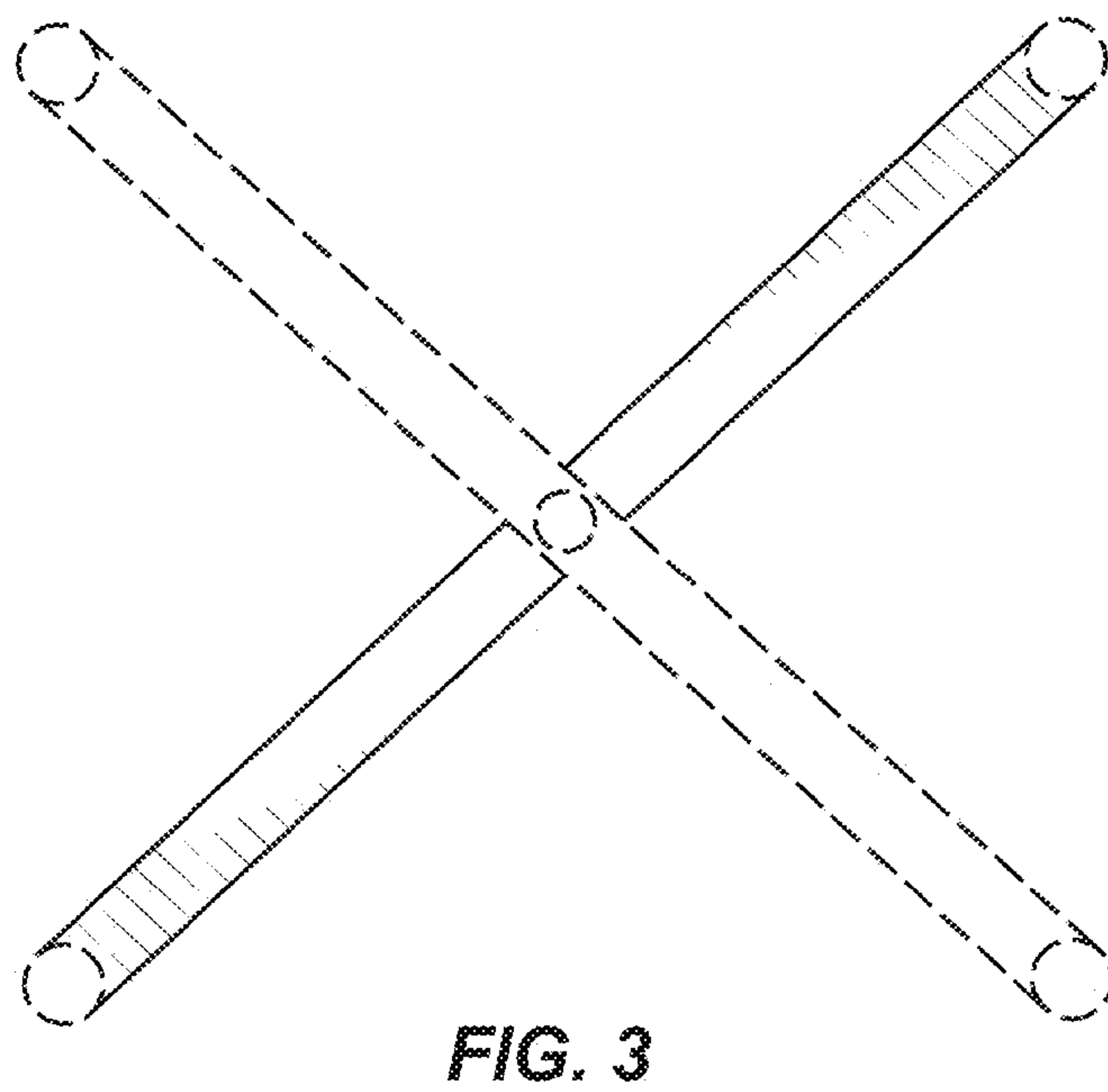
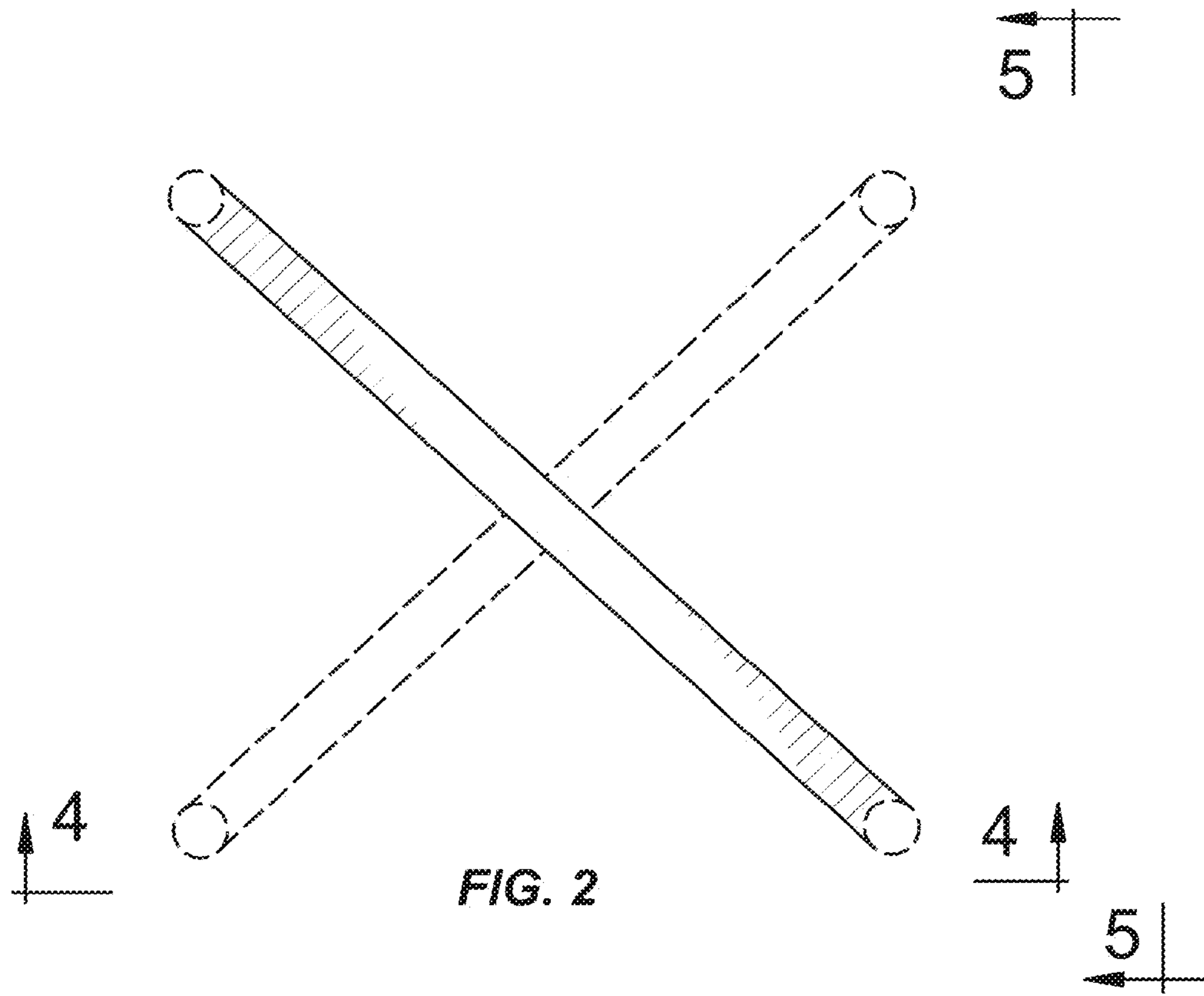


FIG. 1



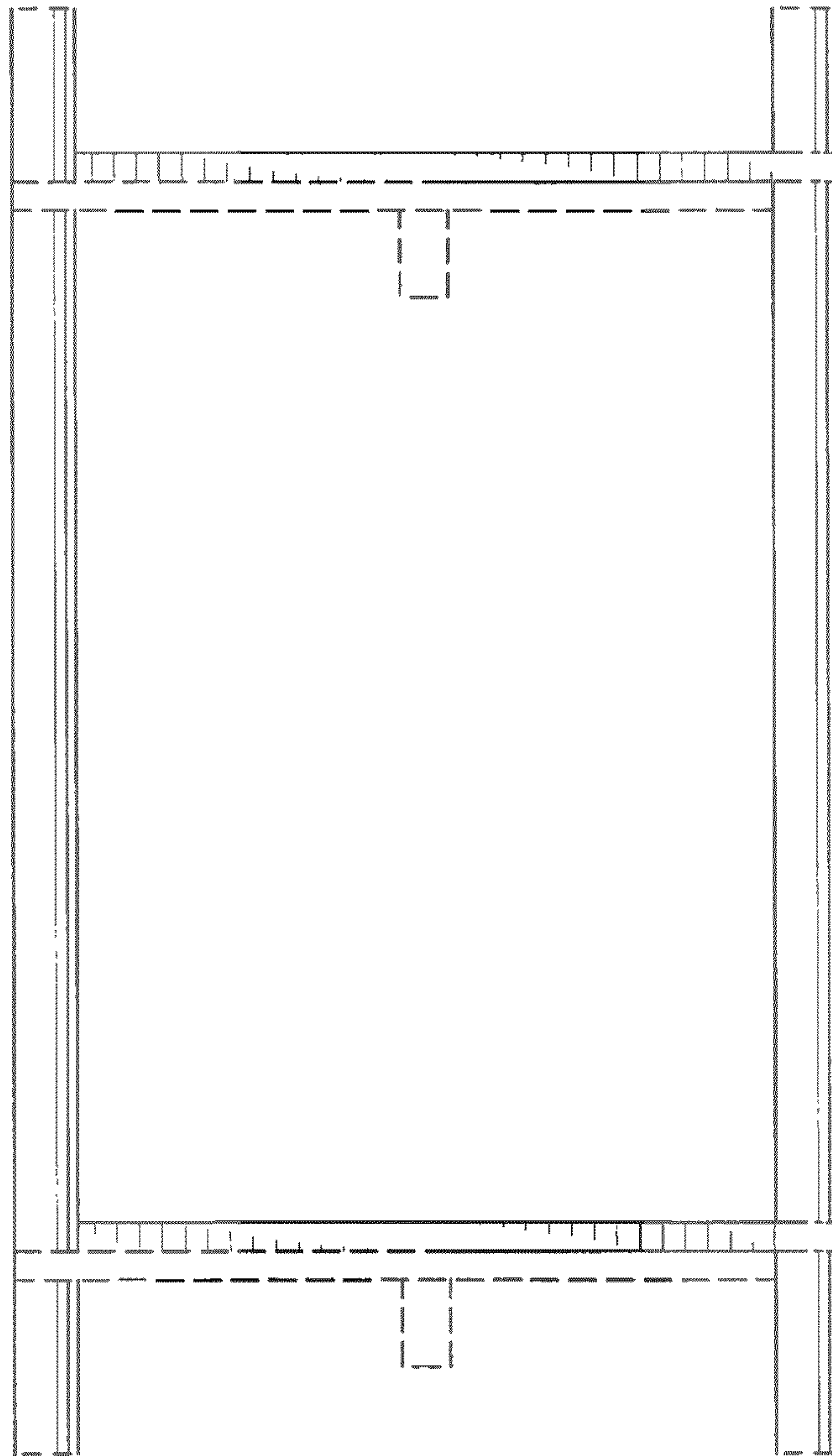


FIG. 4

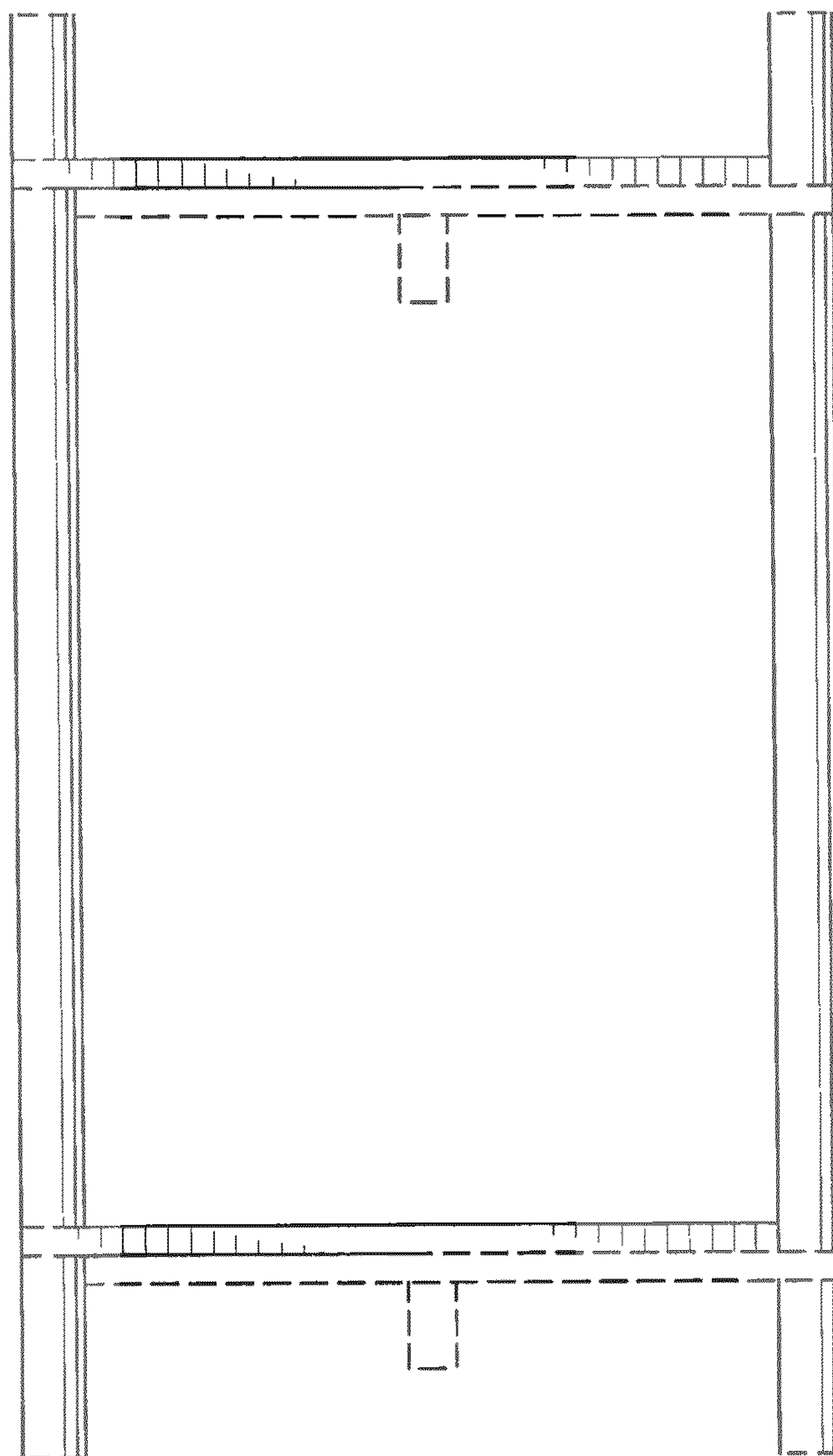


FIG. 5