



US00D693613S

(12) **United States Design Patent**
Polidoros

(10) **Patent No.:** **US D693,613 S**

(45) **Date of Patent:** **** Nov. 19, 2013**

(54) **TABLE BASE**

(75) Inventor: **Nicholas Polidoros**, Mitcham (AU)

(73) Assignee: **IHS Global Design Pty. Ltd.** (AU)

(**) Term: **14 Years**

(21) Appl. No.: **29/424,878**

(22) Filed: **Jun. 16, 2012**

Related U.S. Application Data

(63) Continuation of application No. 12/377,096, filed as application No. PCT/AU2007/000589 on May 4, 2007, now abandoned.

(51) **LOC (9) Cl.** **06-06**

(52) **U.S. Cl.**
USPC **D6/708**

(58) **Field of Classification Search**
USPC D6/480–489, 495–499, 429–431;
108/153.1, 155, 156, 157.1, 161, 115,
108/157.16, 157.17, 157.18, 118, 119, 160;
248/188, 188.1, 188.7, 188.8
See application file for complete search history.

(56) **References Cited**

U.S. PATENT DOCUMENTS

587,219 A	7/1897	Maes	
D35,045 S *	9/1901	Stickley	D6/484
1,939,904 A *	12/1933	Koopman	108/157.18
1,963,594 A	6/1934	Schwabe	
2,010,342 A *	8/1935	Woods	108/157.18
2,190,623 A	2/1940	Benson	
2,591,797 A *	4/1952	Exline et al.	108/62
D222,624 S *	11/1971	Gianfagna	D6/484
4,300,455 A	11/1981	Ornati	
D298,095 S	10/1988	Kelley et al.	
D430,414 S	9/2000	Aloisi	
D440,431 S	4/2001	Alexandersson	
D440,788 S	4/2001	Alexandersson	

D480,578 S	10/2003	Teel	
D485,097 S	1/2004	Raftery	
D553,384 S	10/2007	Wilenius	
D649,381 S	11/2011	Mainzer	
D662,735 S *	7/2012	Polidoros	D6/499
D665,540 S	8/2012	Kilroy	
2008/0143166 A1 *	6/2008	de Oliveira	297/440.14
2010/0147200 A1 *	6/2010	Polidoros	108/157.16

FOREIGN PATENT DOCUMENTS

AU	2006203492	*	8/2006
CN	3245051		7/2002
FR	954590-001		11/1995
FR	954590-002		11/1995
GB	397 592		8/1933
GB	510 248		7/1939
GB	652 211		4/1951
GB	766 898		1/1957
GB	2 316 605		4/1998

OTHER PUBLICATIONS

Bloomberry, Rosewood foldable tray table, 1stdibs.com, http://www.1stdibs.com/furniture_item_print.php?id=664172, available at least as early as Nov. 2, 2012.

(Continued)

Primary Examiner — Janice Seeger

(74) *Attorney, Agent, or Firm* — Saidman DesignLaw Group

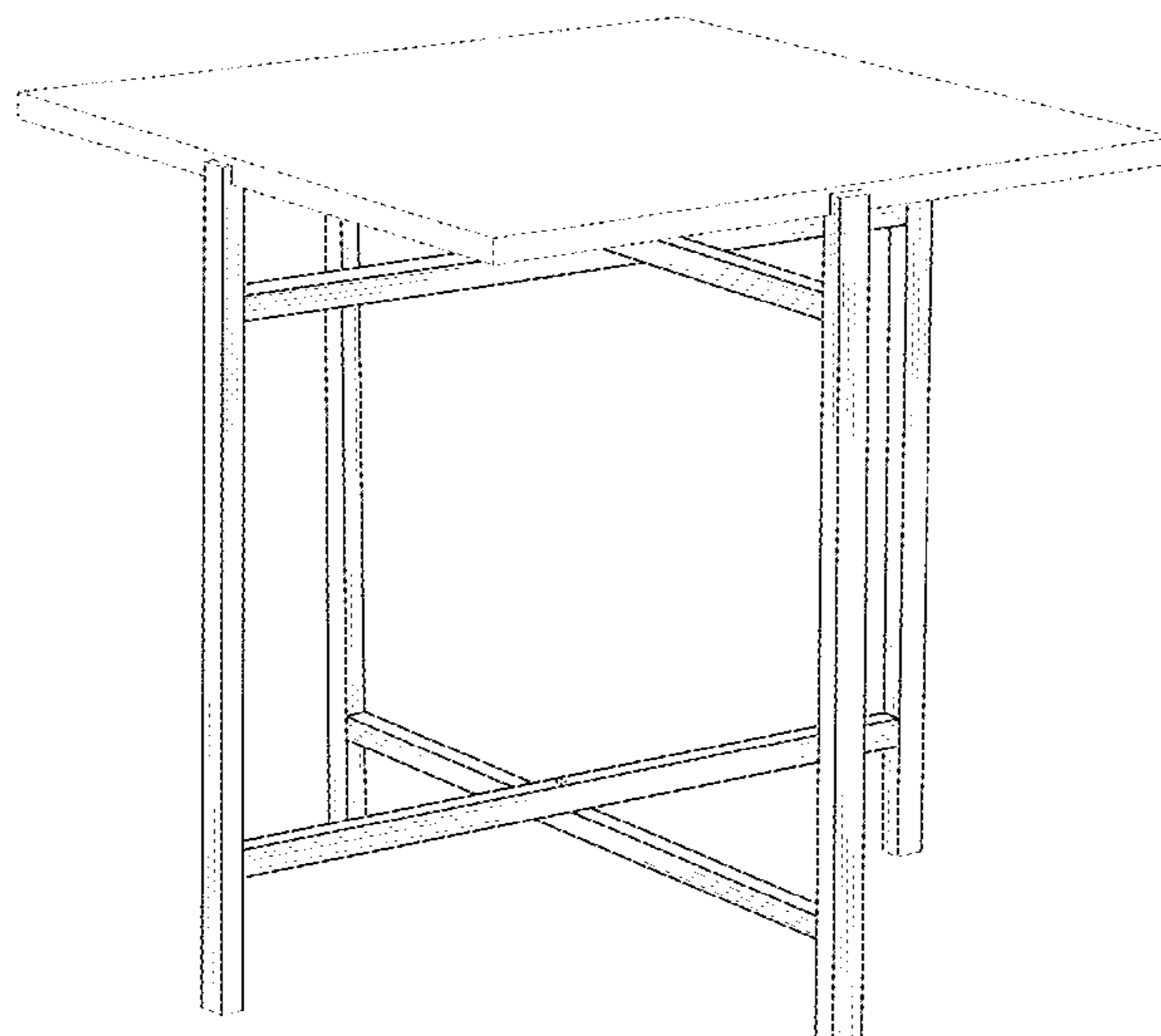
(57) **CLAIM**

The ornamental design for table base, as shown and described.

DESCRIPTION

The sole FIGURE is a perspective view of a table base showing my new design. The dashed broken lines illustrate environmental structure and form no part of the claimed design. The relatively thin shade lines represent contour, not surface decoration.

1 Claim, 1 Drawing Sheet



(56)

References Cited

OTHER PUBLICATIONS

Fornasetti Lacquered Tray Table, 1stdibs.com, http://www.1stdibs.com/furniture_item_print.php?id=700614, available at least as early as Nov. 2, 2012.

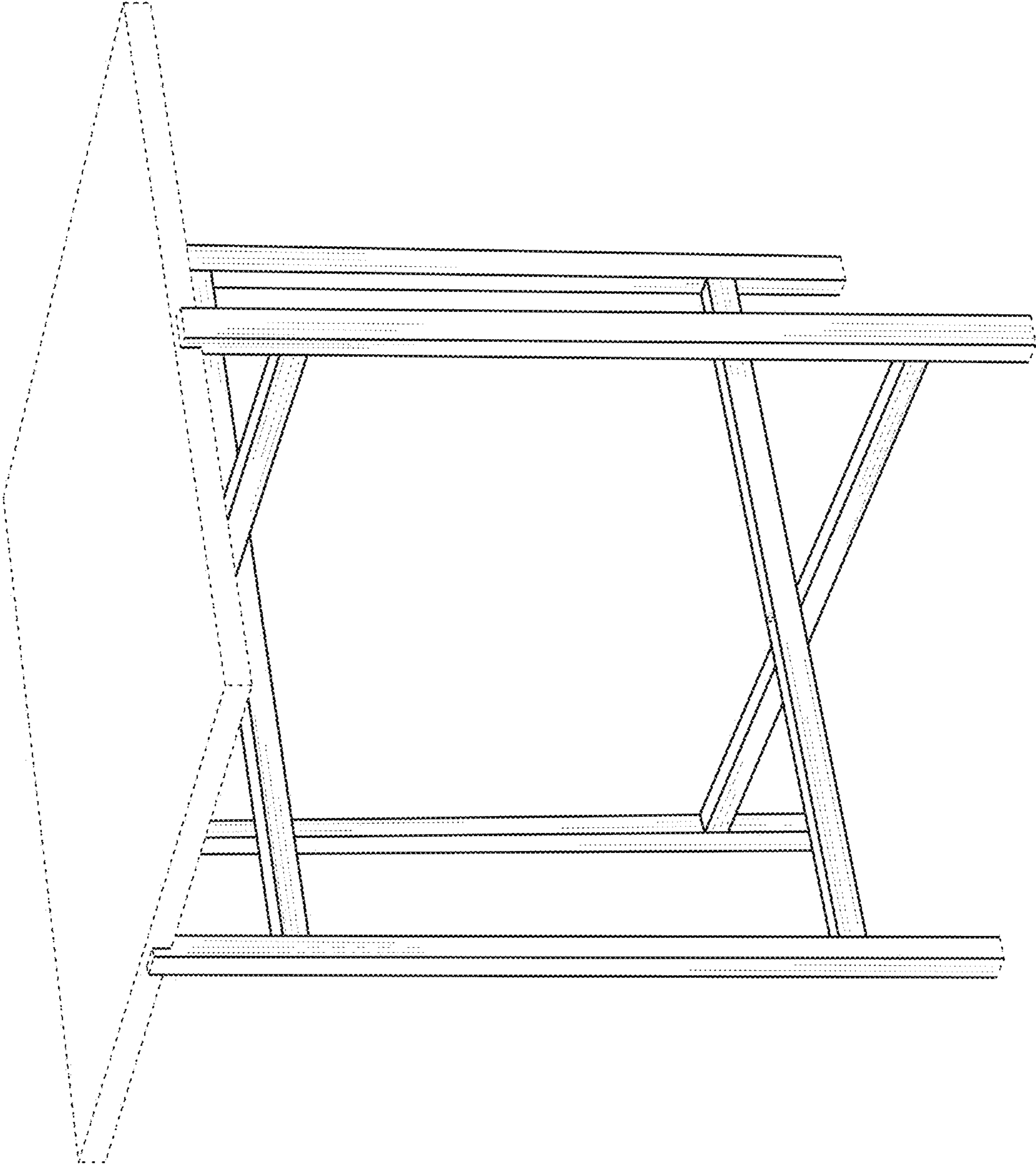
Mark Frisman, Hans Wegner Occasional Table in Teak, 1stdibs.com, http://www.1stdibs.com/furniture_item_print.php?id=71197, available at least as early as Nov. 2, 2012.

Dual, Nest of Occasional Tables Bertha Schaefer for M. Singer & Sons, 1stdibs.com, http://www.1stdibs.com/furniture_item_print.php?id=330714, available at least as early as Nov. 2, 2012.

G4 Décor, Tole Tray with Stand, 1stdibs.com, http://www.1stdibs.com/furniture_item_print.php?id=499089, available at least as early as Nov. 2, 2012.

Forbes Industries, EcoFlex Tables Catalogue, © 2013.

* cited by examiner



UNITED STATES PATENT AND TRADEMARK OFFICE
CERTIFICATE OF CORRECTION

PATENT NO. : D693,613 S
APPLICATION NO. : 29/424878
DATED : November 19, 2013
INVENTOR(S) : Nicholas Polidoros

Page 1 of 1

It is certified that error appears in the above-identified patent and that said Letters Patent is hereby corrected as shown below:

On the Title Page:

The last paragraph of the description before the claim, which was omitted, should read as follows:

Those portions of the table base not shown in the sole figure form no part of the claimed design.

Signed and Sealed this
Seventh Day of October, 2014



Michelle K. Lee
Deputy Director of the United States Patent and Trademark Office