



US00D693611S

(12) **United States Design Patent**
Stafford et al.

(10) **Patent No.:** **US D693,611 S**

(45) **Date of Patent:** **** Nov. 19, 2013**

(54) **CHECK LANE STRUCTURE**

(75) Inventors: **William Y. Stafford**, Minnetrista, MN (US); **John D. Griffith**, Maple Grove, MN (US)

(73) Assignee: **Target Brands, Inc.**, Minneapolis, MN (US)

(**) Term: **14 Years**

(21) Appl. No.: **29/418,485**

(22) Filed: **Apr. 17, 2012**

(51) **LOC (9) Cl.** **06-04**

(52) **U.S. Cl.**
USPC **D6/707**

(58) **Field of Classification Search**
USPC D6/707, 699.4, 699, 698, 707.23, D6/707.22, 509-511, 601; 156/71, 782.2, 156/256, 182, 257, 212; 312/140.1, 140.3, 312/140.4, 107-109, 138.1, 194, 278-279; 52/782.2, 415, 309.1, 749.13, 716.1, 52/169.7, 71, 287.1; 404/8; 47/33; D25/113-119, 136, 2, 138; 108/27; 428/44, 41, 51

See application file for complete search history.

(56) **References Cited**

U.S. PATENT DOCUMENTS

1,381,916	A *	6/1921	Gunn	156/256
D274,203	S *	6/1984	Everett	D6/481
D287,688	S *	1/1987	Mortimer	D7/307
D328,001	S *	7/1992	Kelly	D6/511
5,310,435	A *	5/1994	Kelly	156/182
5,613,342	A *	3/1997	Nelson	52/782.2
5,924,253	A *	7/1999	Walker	52/415
6,183,585	B1 *	2/2001	Kelley	156/182
6,378,257	B1 *	4/2002	Guerra	52/309.1

6,413,337	B2 *	7/2002	Sciarrino et al.	156/71
D474,924	S *	5/2003	Levasseur	D6/492
6,773,538	B2 *	8/2004	Blessing	156/256
D600,053	S *	9/2009	Chen	D6/510
2005/0035693	A1 *	2/2005	Reamer	312/140.3
2006/0179791	A1 *	8/2006	Shaw	52/749.13

OTHER PUBLICATIONS

Office Action from Canadian Patent Application No. 146,349, mailed Nov. 22, 2012 (1 page).

* cited by examiner

Primary Examiner — Cathron Brooks

Assistant Examiner — Sydney R Buffalow

(74) *Attorney, Agent, or Firm* — Leanne Taveggia Farrell; Westman, Champlin & Koehler, P.A.

(57) **CLAIM**

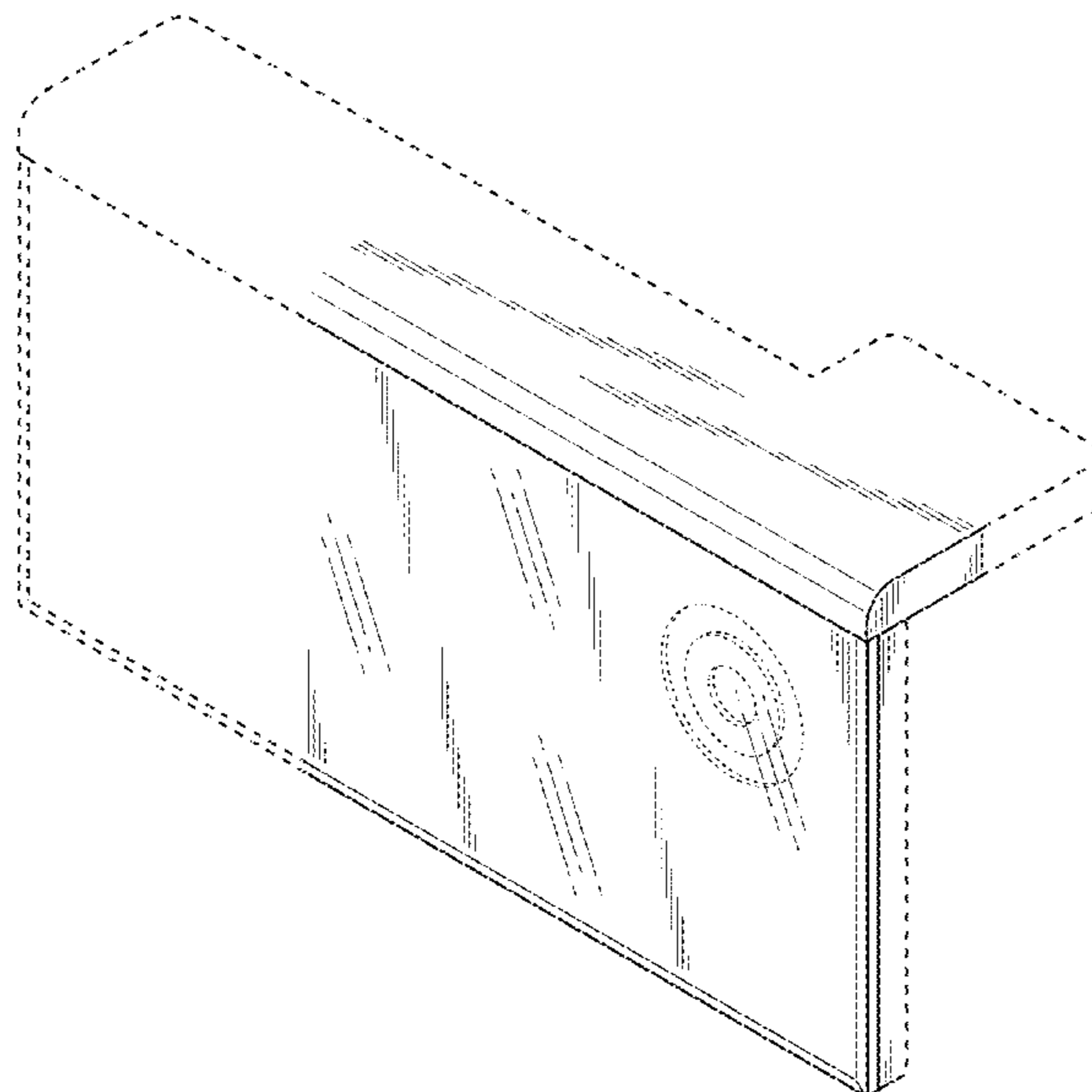
The ornamental design for a check lane structure, as shown and described.

DESCRIPTION

FIG. 1 is perspective view of a check lane structure; FIG. 2 is a right side view of the check lane structure thereof; FIG. 3 is a left side view of the check lane structure thereof; FIG. 4 is a front view of the check lane structure thereof; FIG. 5 is a back view of the check lane structure thereof; FIG. 6 is a top view of the check lane structure thereof; FIG. 7 is a bottom view of the check lane structure thereof; and, FIG. 8 is an enlarged section view of the check lane structure thereof.

The broken lines shown are included for the purpose of illustrating portions of the check lane structure that form no part of the claimed design. The concentric circles representing a bullseye design and shown in broken lines is a registered trademark of Target Brands, Inc.

1 Claim, 4 Drawing Sheets



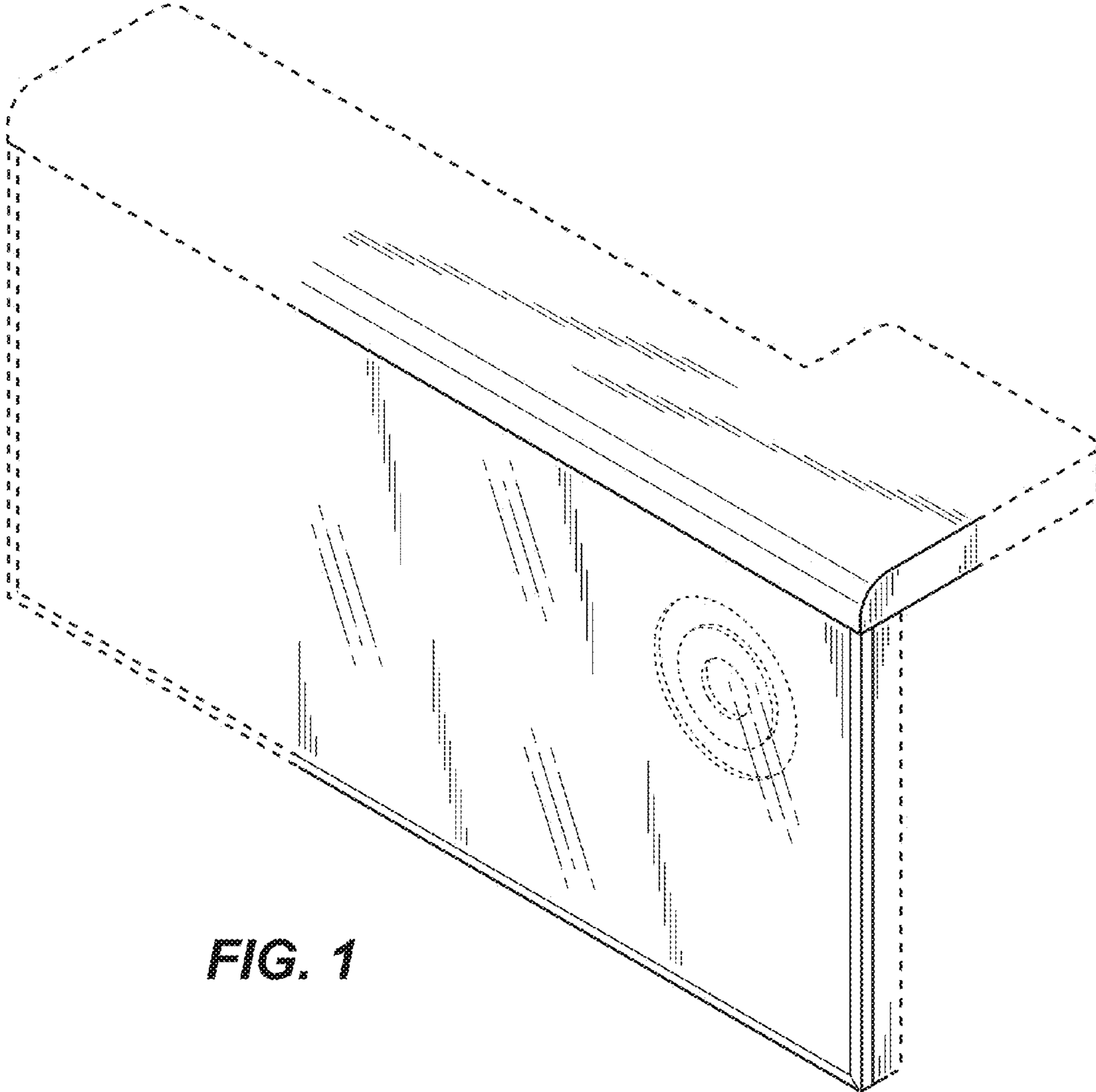
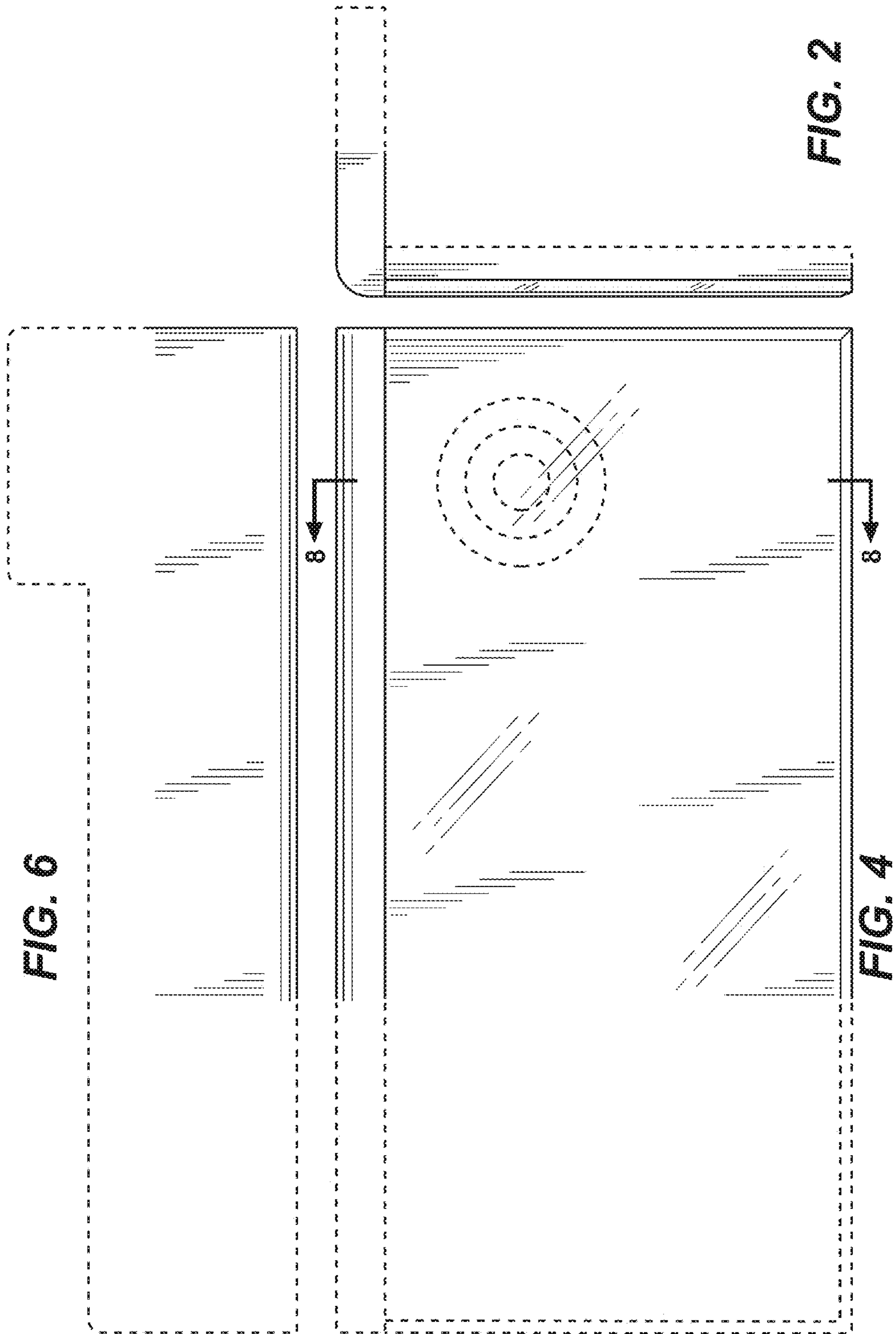


FIG. 1



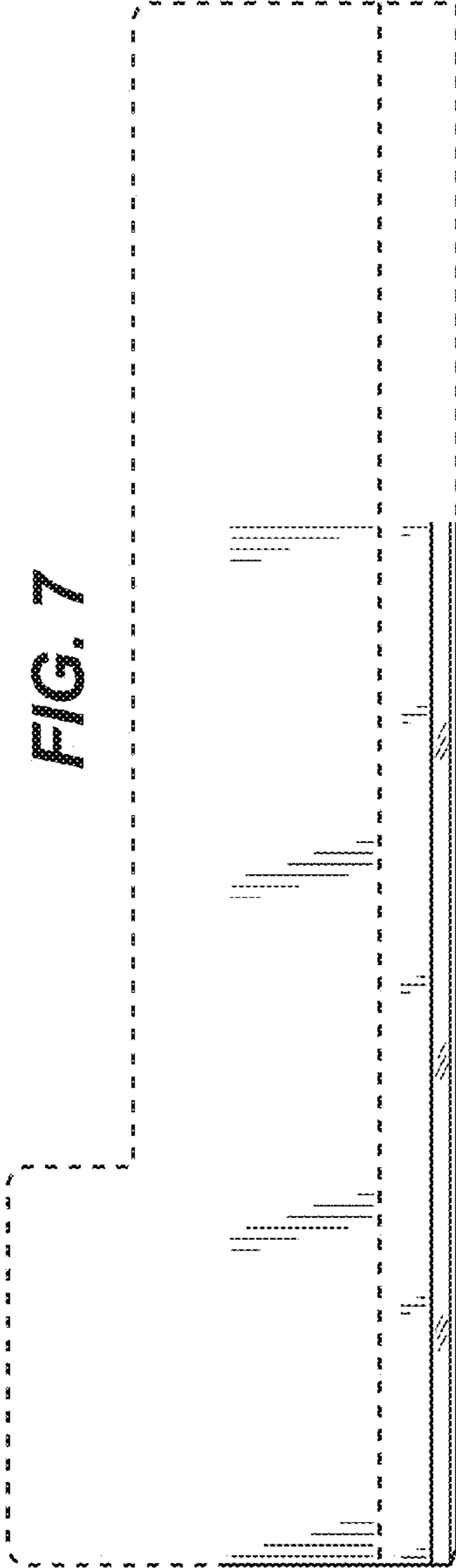


FIG. 7

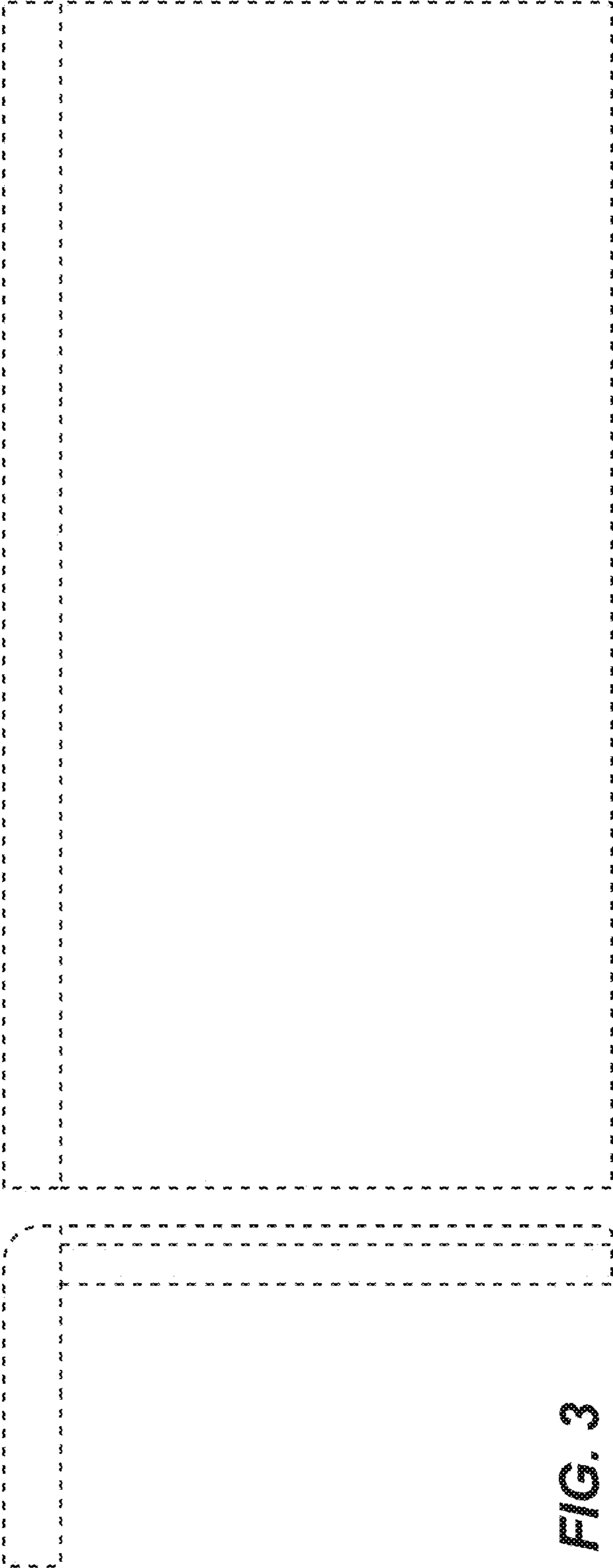


FIG. 3

FIG. 5

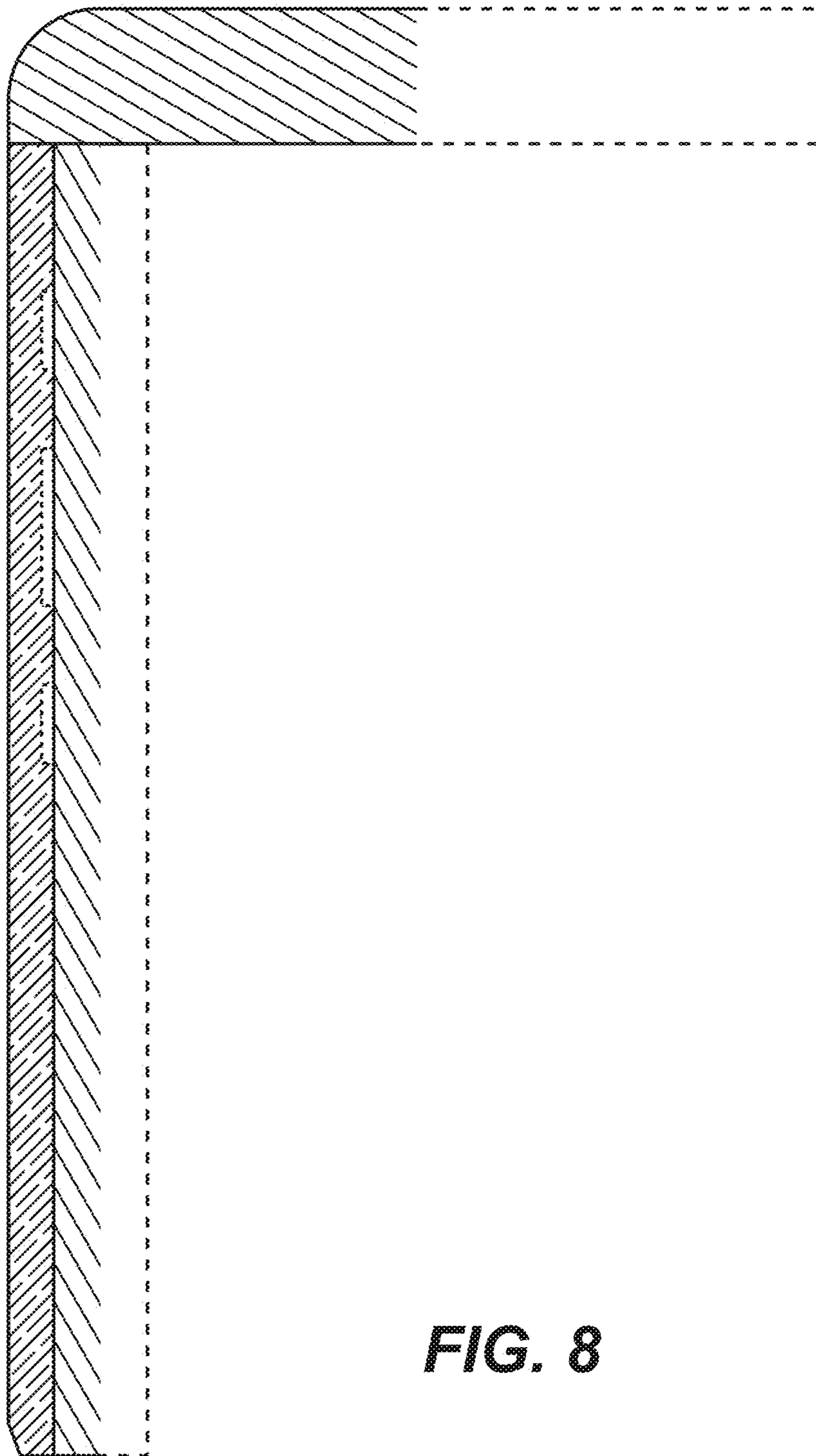


FIG. 8