



US00D693610S

(12) **United States Design Patent**
Denby et al.

(10) **Patent No.:** **US D693,610 S**

(45) **Date of Patent:** **** Nov. 19, 2013**

(54) **TABLE**

(75) Inventors: **Scott E. Denby**, Minneapolis, MN (US);
Jason W. Johnson, Wayzata, MN (US);
Timothy J. Martell, Brooklyn Park, MN
(US); **Joseph R. Stukenberg**,
Minneapolis, MN (US); **Daniel J. Noll**,
Madison, WI (US)

(73) Assignee: **Target Brands, Inc.**, Minneapolis, MN
(US)

(**) Term: **14 Years**

(21) Appl. No.: **29/427,358**

(22) Filed: **Jul. 17, 2012**

(51) **LOC (9) Cl.** **06-03**

(52) **U.S. Cl.**
USPC **D6/690**; D6/691.8; D6/675; D6/691.5

(58) **Field of Classification Search**
USPC D6/685, 686, 690, 691, 691.5, 691.8,
D6/691.9, 708, 675, 349; 248/188, 188.1,
248/188.8, 188.7; 108/150, 153.1, 156,
108/157.1, 158.11, 161

See application file for complete search history.

(56) **References Cited**

U.S. PATENT DOCUMENTS

| | | | | |
|-----------|-----|---------|---------------|--------|
| 376,070 | A | 1/1888 | Cobb et al. | |
| 1,290,782 | A | 1/1919 | Reigersberg | |
| 2,092,196 | A | 9/1937 | Wood | |
| D112,970 | S * | 1/1939 | Voorhees, Jr. | D6/422 |
| D113,459 | S * | 2/1939 | Haag | D6/428 |
| 2,566,954 | A | 9/1951 | Murray | |
| 2,584,869 | A | 2/1952 | Gunder | |
| D166,620 | S * | 4/1952 | Petrone | D6/430 |
| 2,810,598 | A | 10/1957 | Lief | |
| 2,901,307 | A | 8/1959 | Moore | |
| 3,351,401 | A | 11/1967 | Cohen | |
| D225,815 | S | 1/1973 | Torrey | |

| | | | | |
|-----------|-----|---------|-------------------|--------|
| 3,717,395 | A | 2/1973 | Spielvogel et al. | |
| D233,293 | S * | 10/1974 | Rosen | D6/484 |
| 4,055,373 | A | 10/1977 | Andresen et al. | |
| 4,106,828 | A | 8/1978 | Belokin, Jr. | |
| D282,034 | S * | 1/1986 | Janke | D6/480 |
| 4,841,878 | A | 6/1989 | Kriegsman | |
| 5,497,888 | A | 3/1996 | Michaels et al. | |
| 5,615,619 | A | 4/1997 | King | |
| 5,718,398 | A | 2/1998 | Ross, Jr. | |
| D399,648 | S | 10/1998 | Hilton | |
| D406,964 | S * | 3/1999 | Lewis | D6/485 |
| D423,171 | S | 4/2000 | Alcala et al. | |
| D427,814 | S * | 7/2000 | Black | D6/484 |
| D437,706 | S | 2/2001 | Alcala et al. | |

(Continued)

OTHER PUBLICATIONS

IKEA Expedit Coffee table, enlarged phot, IKEA cat 2011, p. 66.*

Primary Examiner — Janice Seeger

(74) *Attorney, Agent, or Firm* — Leanne Taveggia Farrell;
Westman, Champlin & Koehler, P.A.

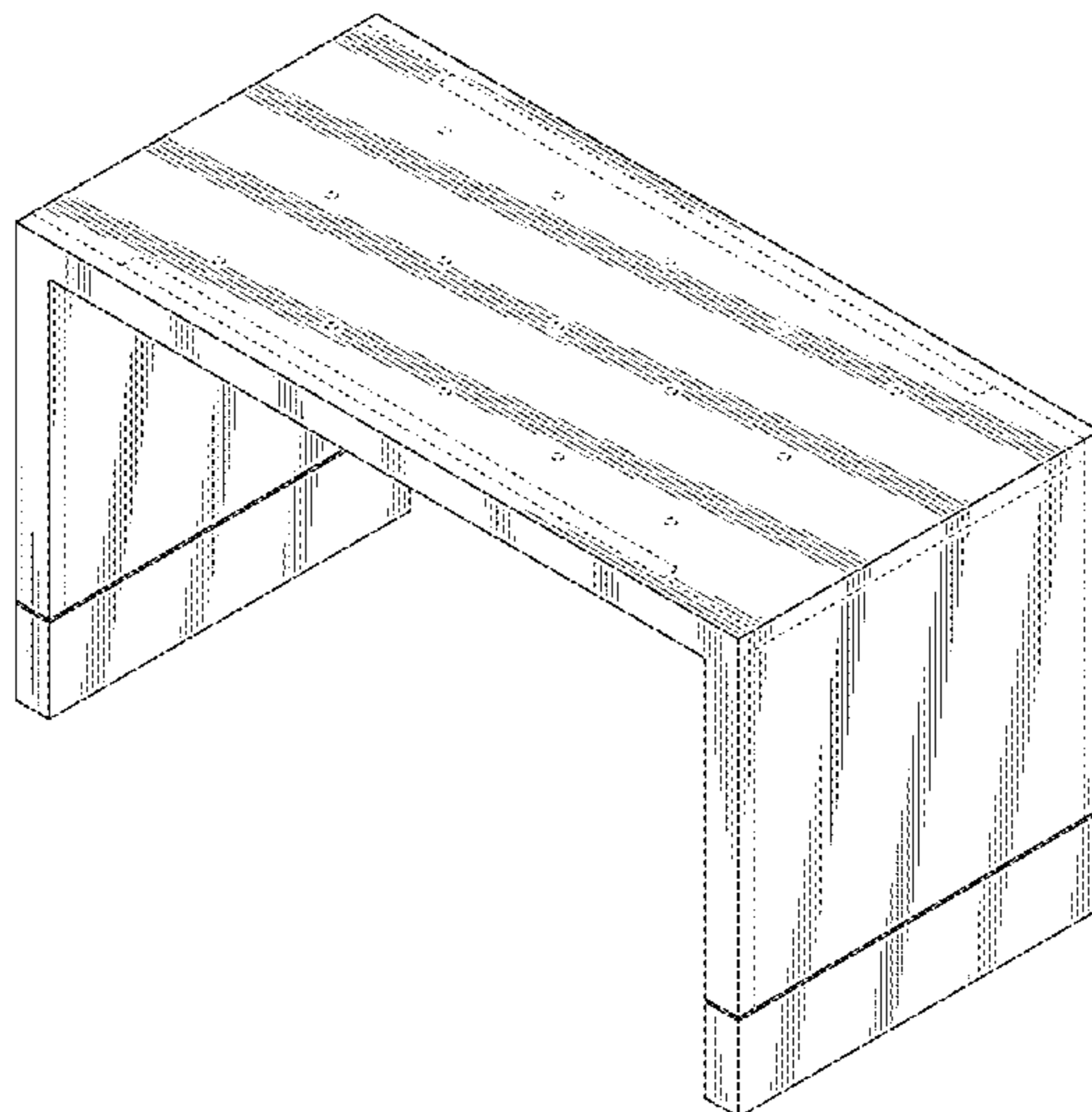
(57) **CLAIM**

The ornamental design for a table, as shown and described.

DESCRIPTION

FIG. 1 is a perspective view of a table;
FIG. 2 is a top view thereof;
FIG. 3 is a bottom view thereof;
FIG. 4 is a front view thereof, the back view being identical;
FIG. 5 is a side view thereof, the opposing side being identical;
FIG. 6 is an enlarged section view thereof as taken along the line indicated in FIG. 2; and,
FIG. 7 is an enlarged section view thereof as taken along the line indicated in FIG. 4.
The broken lines are included for purposes of illustration and form no part of the claimed design.

1 Claim, 5 Drawing Sheets



(56)

References Cited

U.S. PATENT DOCUMENTS

6,267,462 B1 7/2001 Krause et al.
6,389,987 B1 5/2002 King
D466,337 S * 12/2002 Feng D6/485
D498,614 S 11/2004 Kalaouze
D503,176 S * 3/2005 Wirachowsky D14/449

D611,733 S 3/2010 Stukenberg
D611,734 S 3/2010 Stukenberg et al.
D611,735 S 3/2010 Stukenberg
D622,959 S 9/2010 Zalewski et al.
7,841,676 B2 11/2010 Hawkins
7,988,244 B2 8/2011 Haws, Jr.
2007/0200035 A1 8/2007 Chamberlain, III et al.
2011/0316396 A1 12/2011 Arne et al.

* cited by examiner

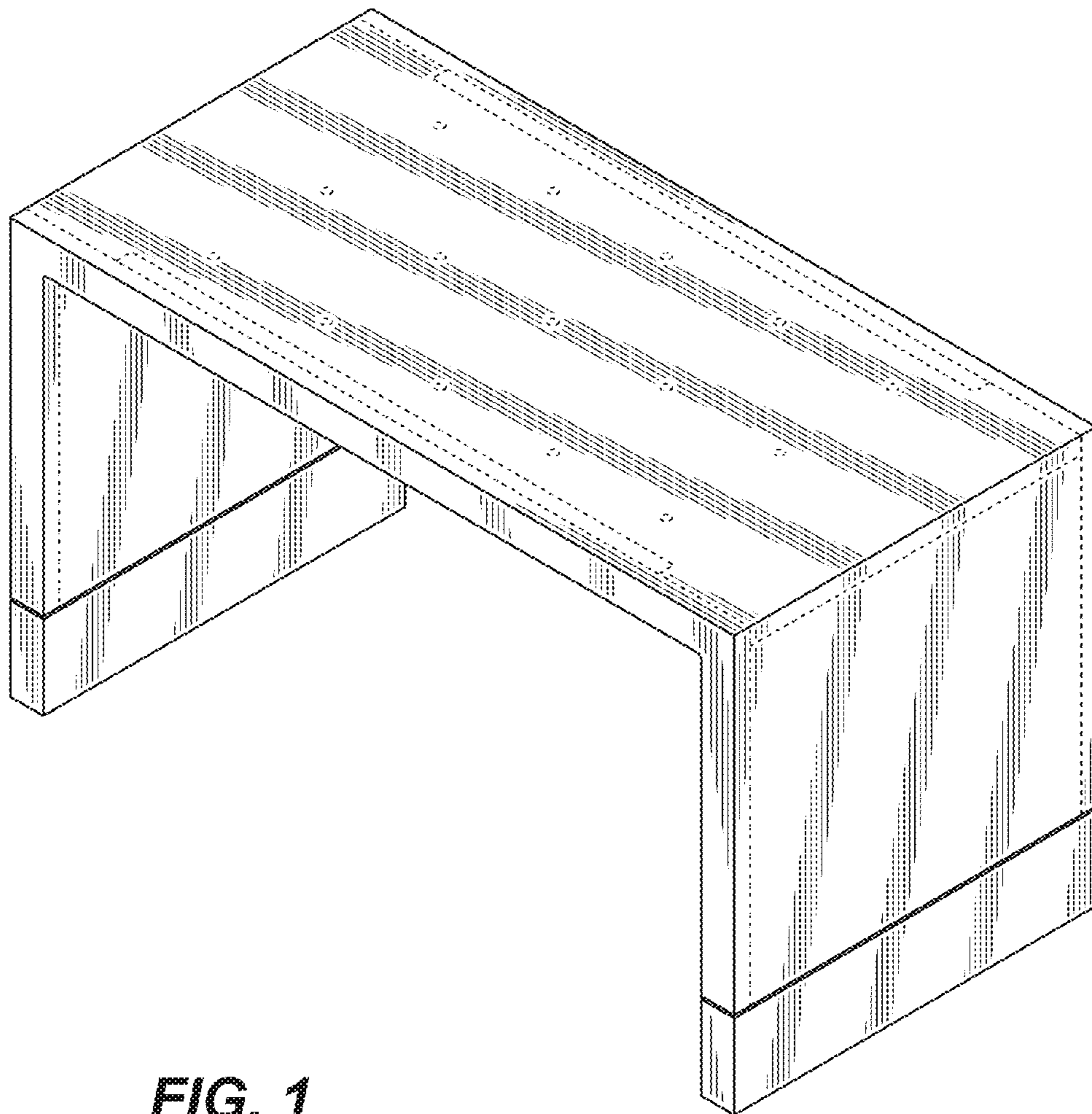


FIG. 1

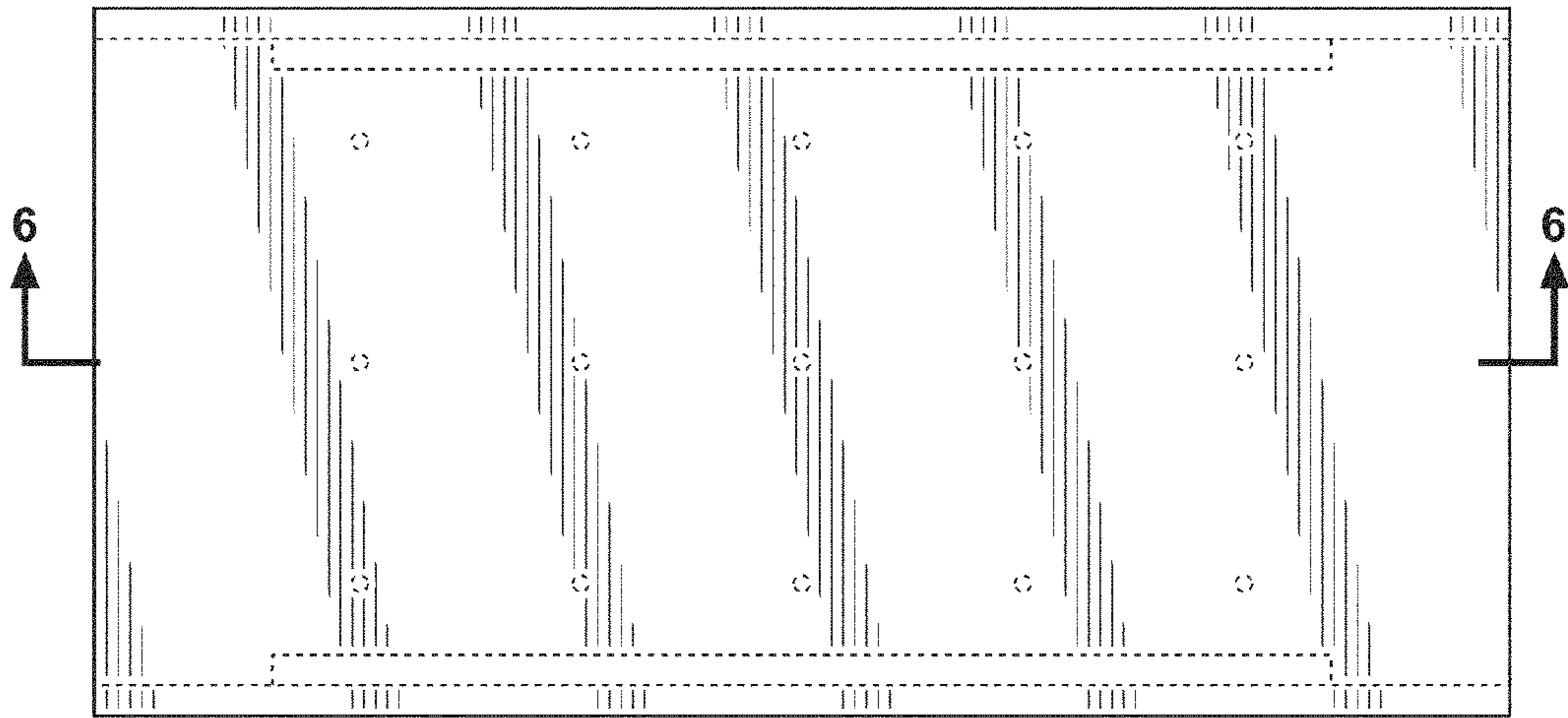


FIG. 2

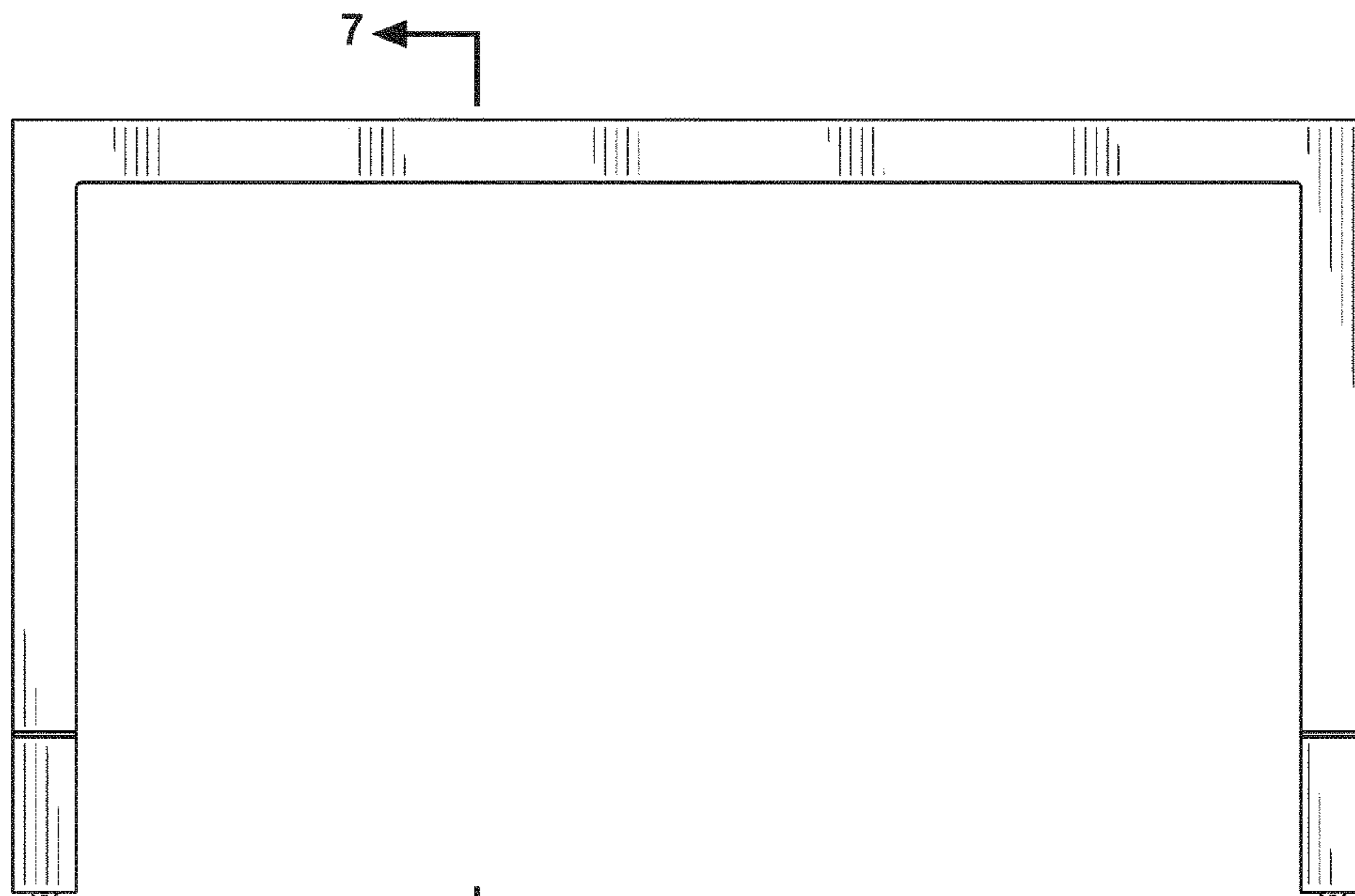


FIG. 4

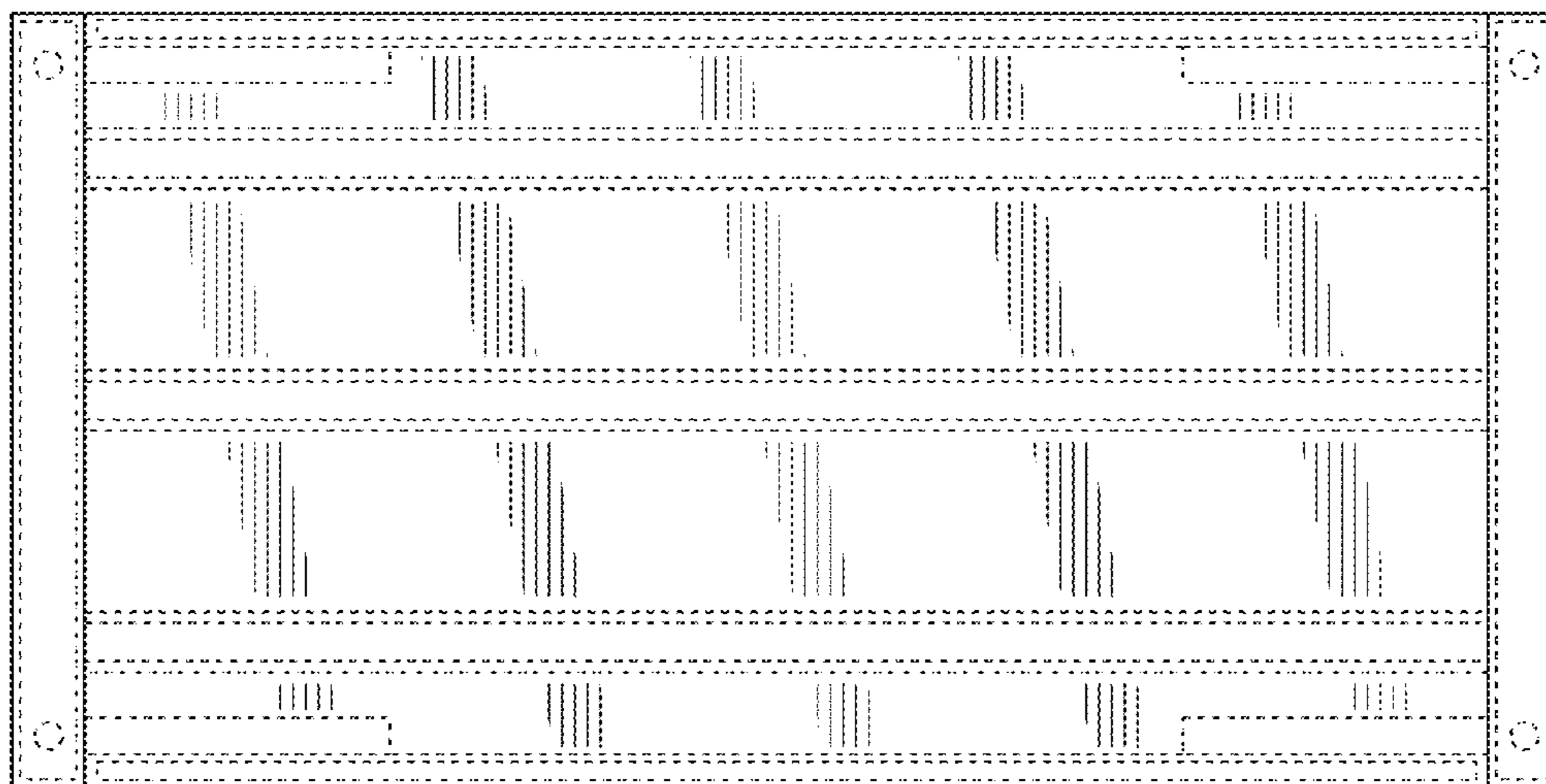


FIG. 3

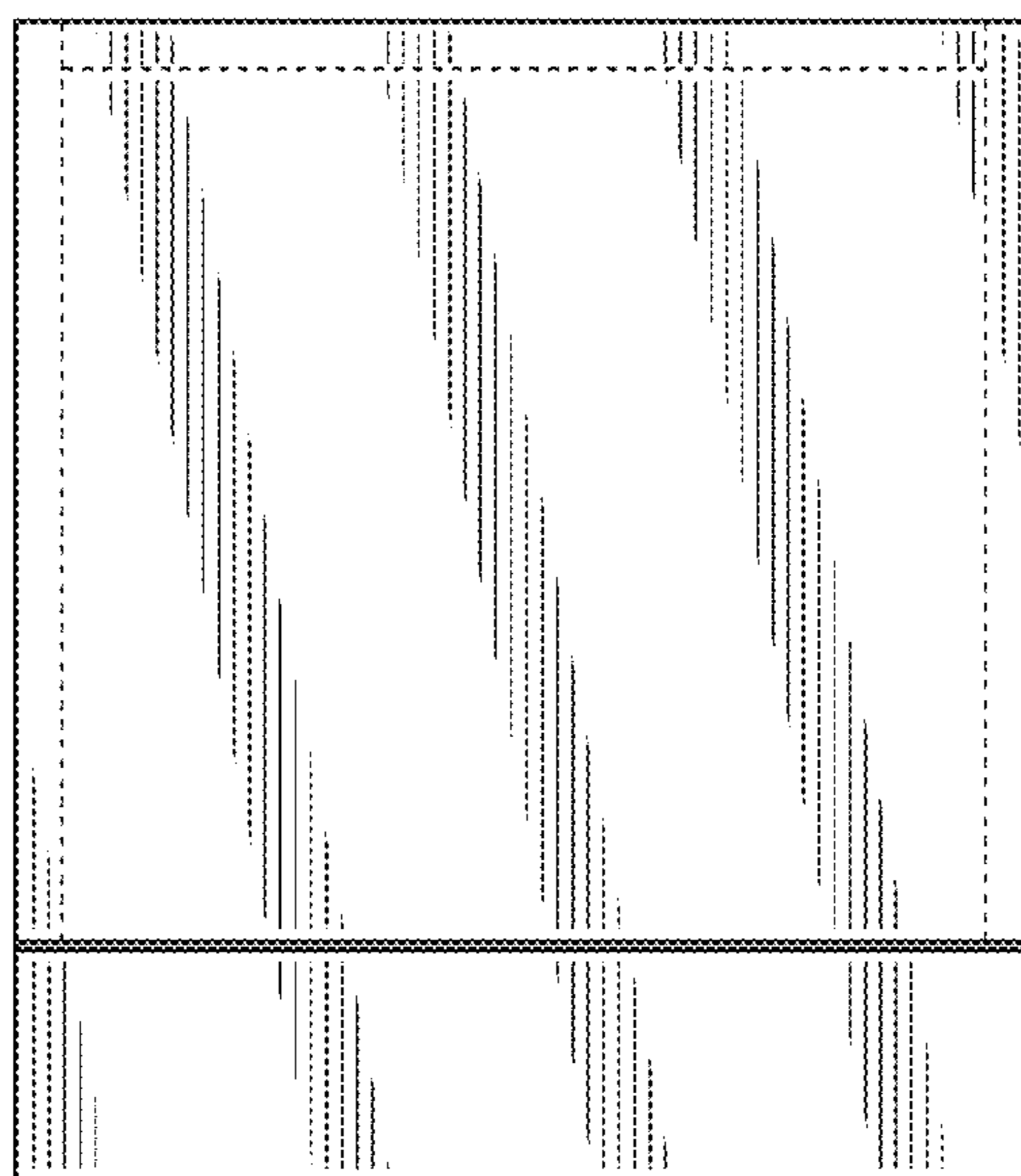


FIG. 5

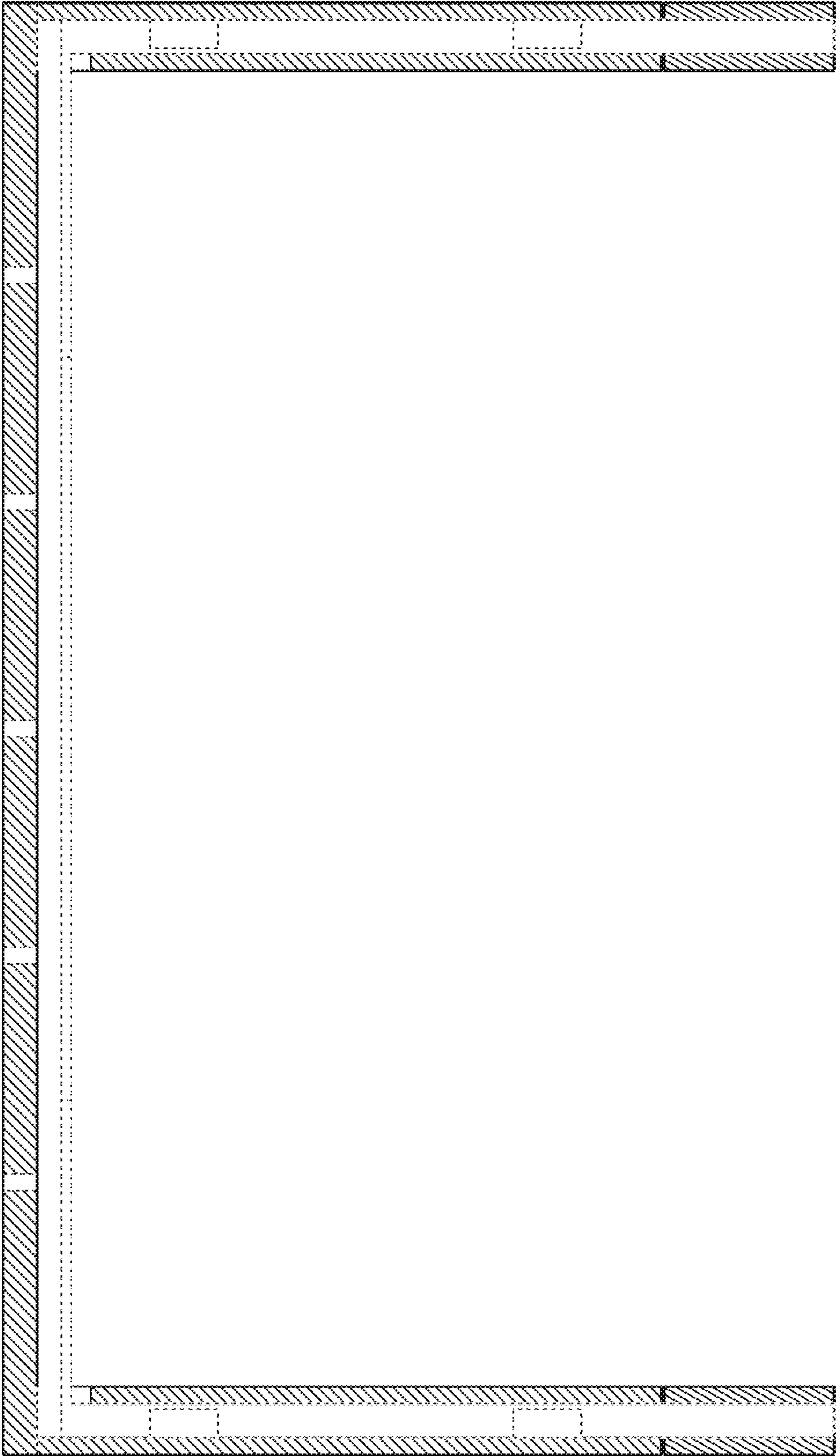


FIG. 6

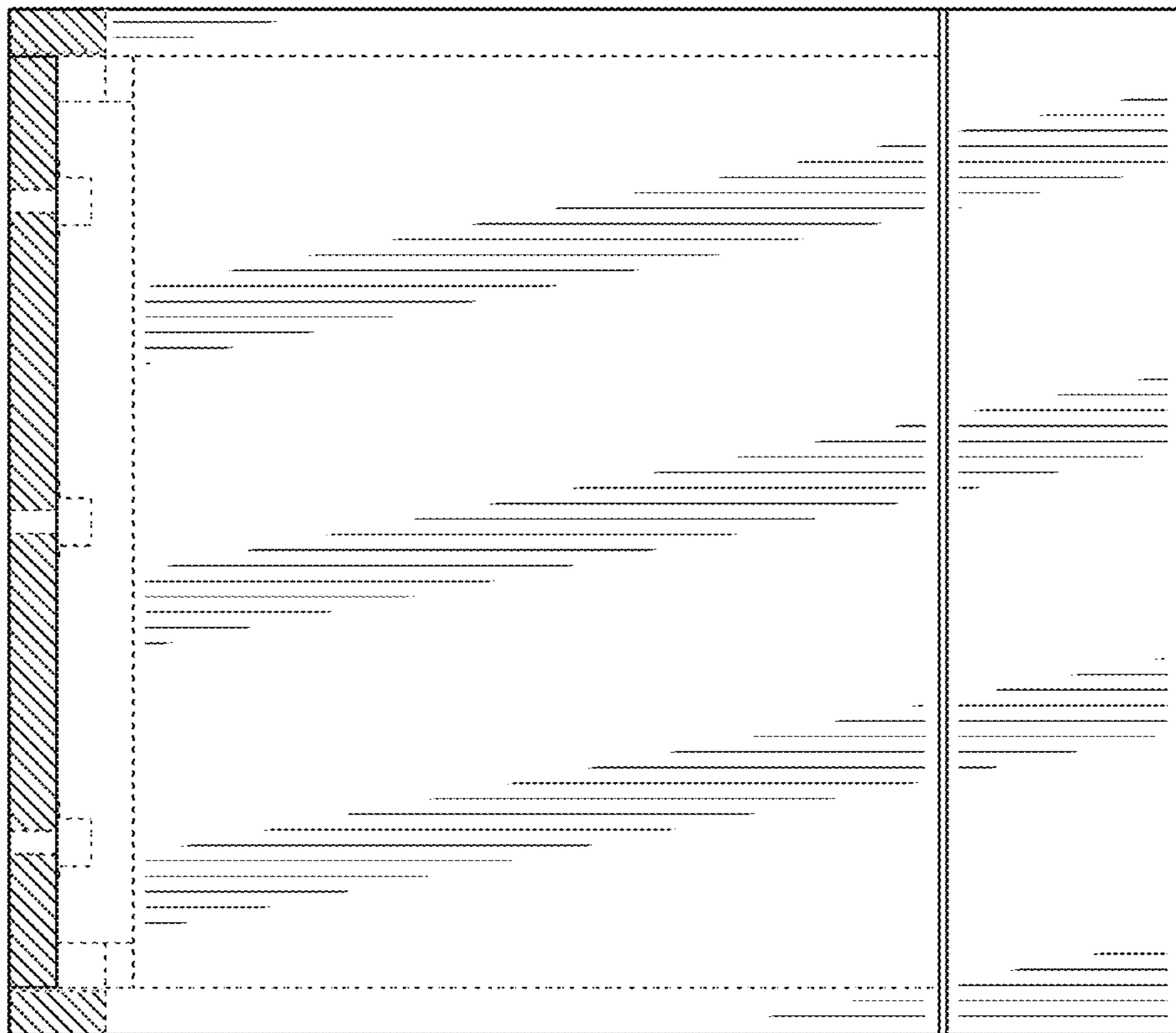


FIG. 7