



US00D693607S

(12) **United States Design Patent**
Johnson et al.

(10) **Patent No.:** **US D693,607 S**
(45) **Date of Patent:** **** Nov. 19, 2013**

(54) **KIOSK TERMINAL AND STAND**
(75) Inventors: **Brad Matthew Johnson**, Raleigh, NC (US); **Jeffrey John Smith**, Raleigh, NC (US); **John David Landers, Jr.**, Raleigh, NC (US); **William Lewis Talley**, Wake Forrest, NC (US)

(73) Assignee: **Toshiba Global Commerce Solutions Holdings Corporation**, Tokyo (JP)

(**) Term: **14 Years**

(21) Appl. No.: **29/394,502**

(22) Filed: **Jun. 17, 2011**

(51) **LOC (9) Cl.** **06-04**

(52) **U.S. Cl.**
USPC **D6/672**

(58) **Field of Classification Search**
USPC D6/469, 300, 314, 449, 468, 467;
D14/447, 218, 434, 229, 375; D10/2,
D10/15, 40; D24/229; D19/90; 248/451;
D16/242; D34/17; 40/358, 765
See application file for complete search history.

(56) **References Cited**

U.S. PATENT DOCUMENTS

D129,998 S * 10/1941 Lamothe D10/2
4,014,122 A * 3/1977 Woods 40/358
D259,184 S * 5/1981 Francis et al. D10/15
D261,424 S * 10/1981 Anson D24/229
D304,533 S * 11/1989 Campbell D6/469
D324,597 S * 3/1992 Zeidler D34/17
D326,281 S * 5/1992 Funazaki D19/96
D329,609 S * 9/1992 Wolff D10/2
5,222,315 A * 6/1993 Lovison 40/765

D360,779 S * 8/1995 Allekotte et al. D6/449
D370,355 S * 6/1996 Kenney D6/314
D392,110 S * 3/1998 Tsui D6/309
6,386,500 B1 * 5/2002 Dainoff et al. 248/451
D480,222 S * 10/2003 Lee D6/300
D487,366 S * 3/2004 Peyker D6/467
D511,110 S * 11/2005 Rodela D10/40
D516,562 S * 3/2006 Solomon et al. D14/434
D524,312 S * 7/2006 Young D14/375
D572,942 S * 7/2008 Robbins et al. D6/468
D573,598 S * 7/2008 Chu D14/447
D619,157 S * 7/2010 Kim et al. D16/242
D619,996 S * 7/2010 Demskie et al. D14/218
D641,713 S * 7/2011 Petrillo D13/168
D655,345 S * 3/2012 Maier-Hunke D19/90

* cited by examiner

Primary Examiner — Philip S Hyder

Assistant Examiner — Sydney R Buffalow

(74) *Attorney, Agent, or Firm* — Stephen J. Walder, Jr.

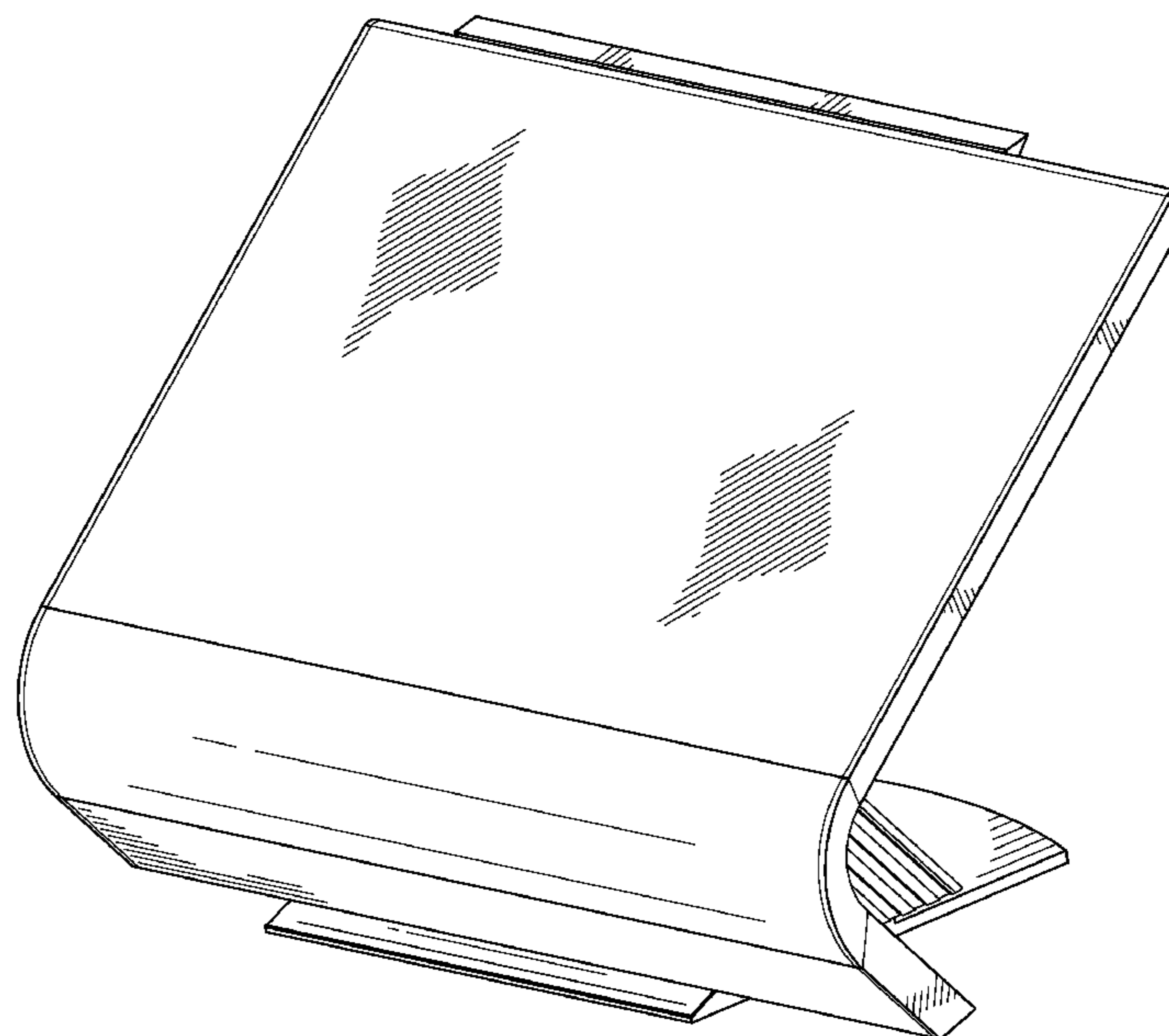
(57) **CLAIM**

The appearance solution and ornamental design for a kiosk terminal and stand, as shown and described.

DESCRIPTION

FIG. 1 is an isometric view of a kiosk terminal and stand in accordance with an illustrative embodiment;
FIG. 2 is a front facing view thereof;
FIG. 3 is a back view thereof;
FIG. 4 is a right side view thereof;
FIG. 5 is a left side view thereof;
FIG. 6 is a top view thereof; and,
FIG. 7 is bottom view thereof.
Broken lines included in the figures, including any boundary created thereby, illustrate environmental matter only and do not form a part of the claimed design.

1 Claim, 6 Drawing Sheets



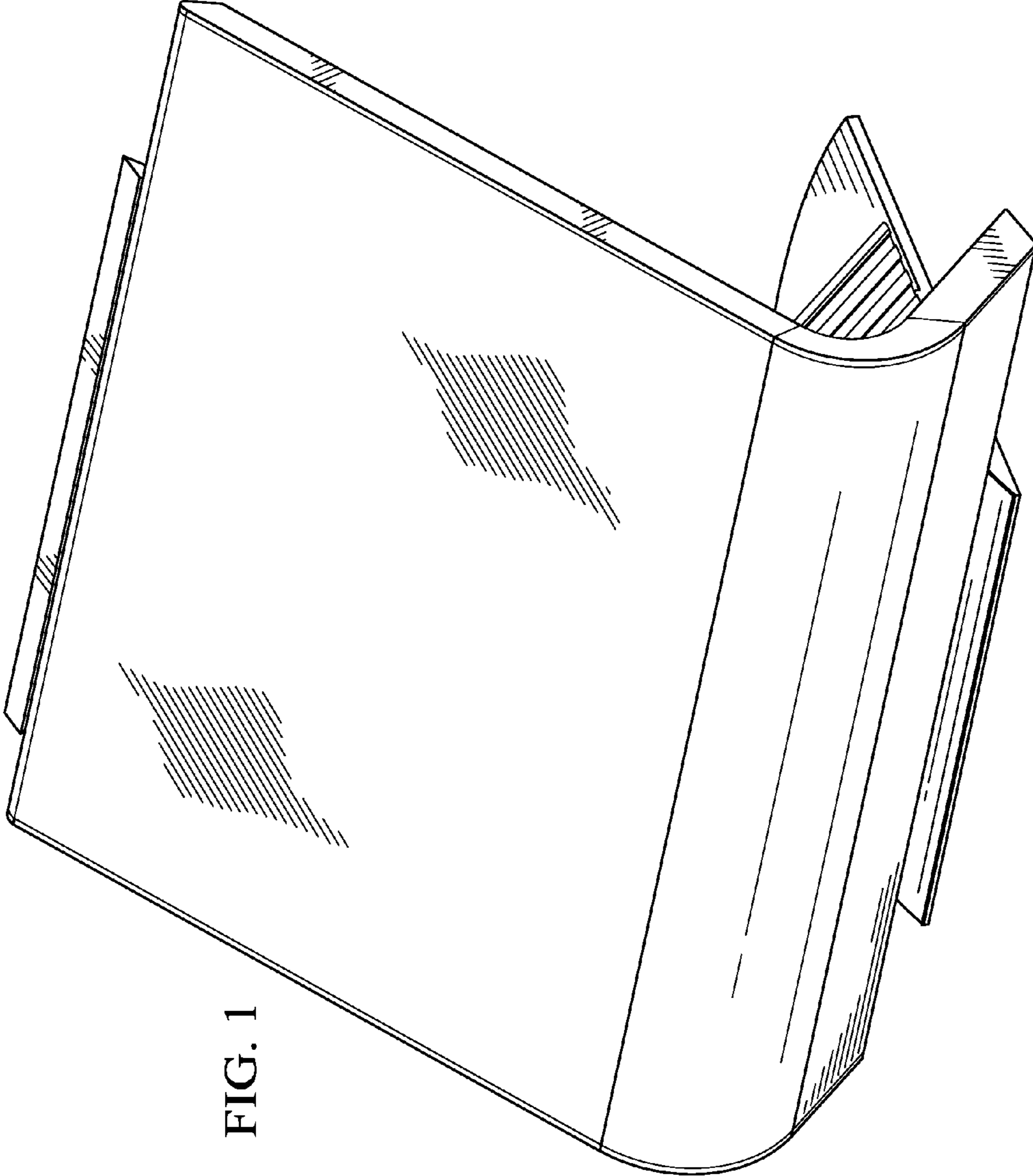


FIG. 1

FIG. 2

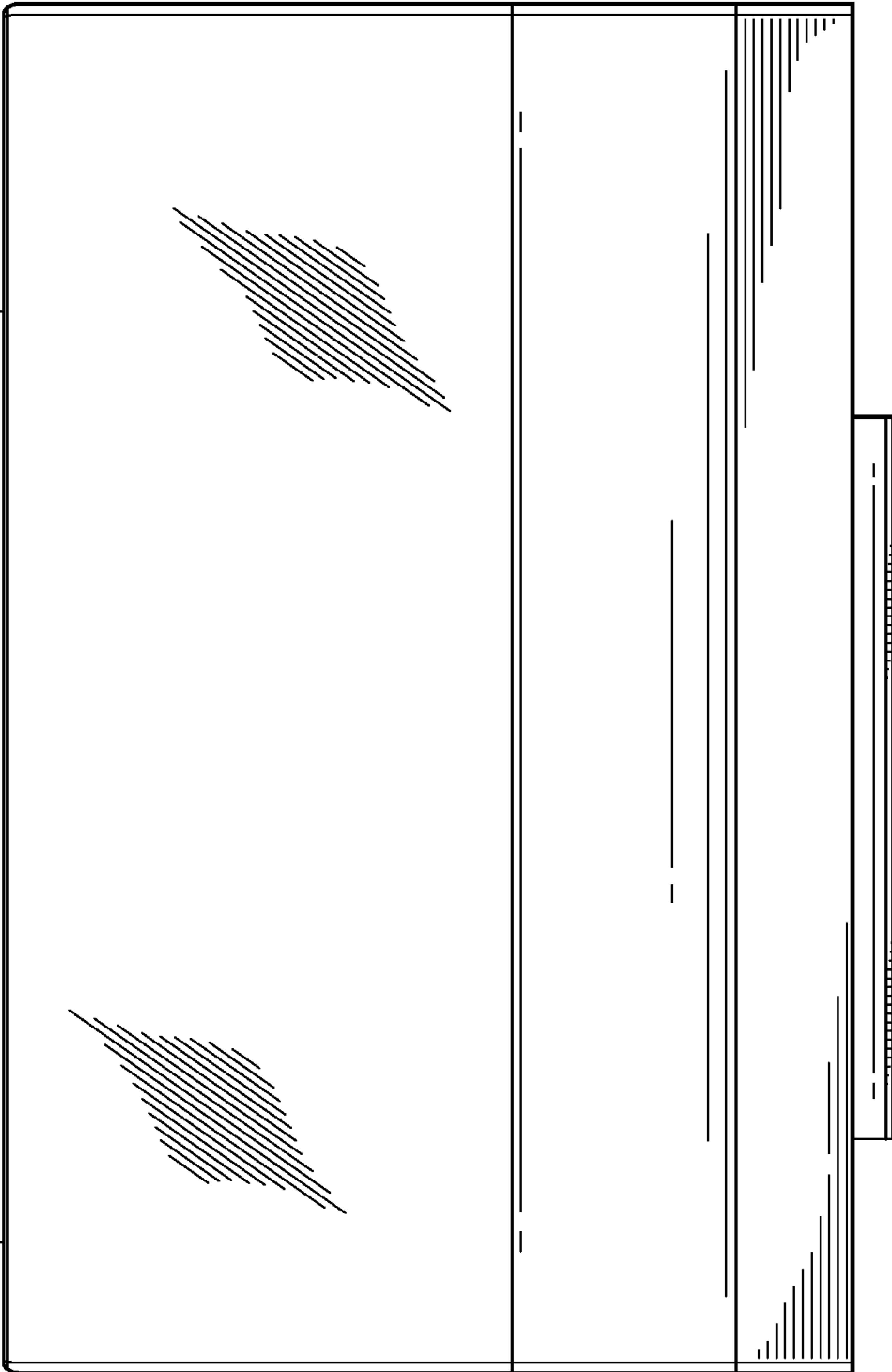
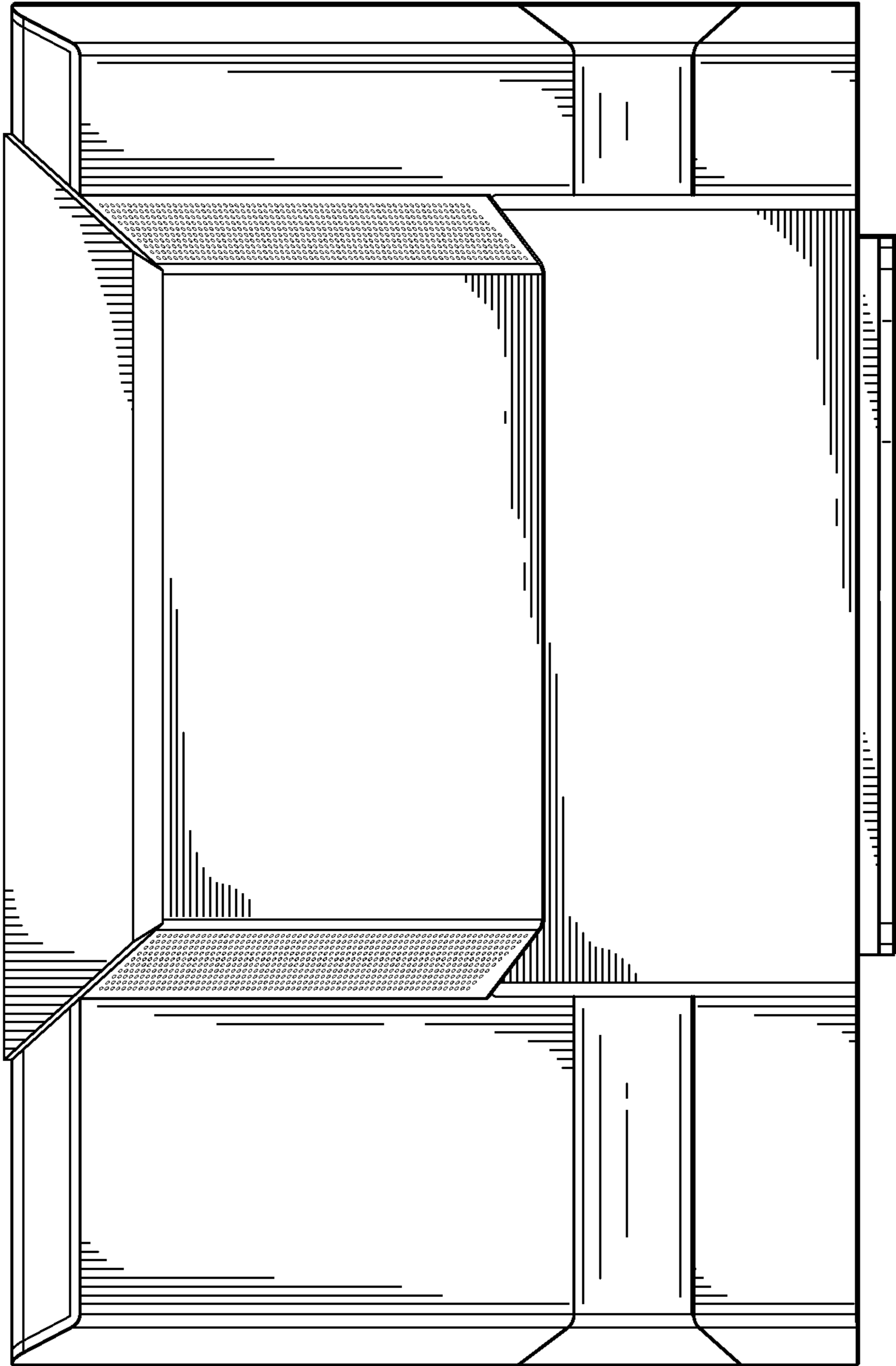


FIG. 3



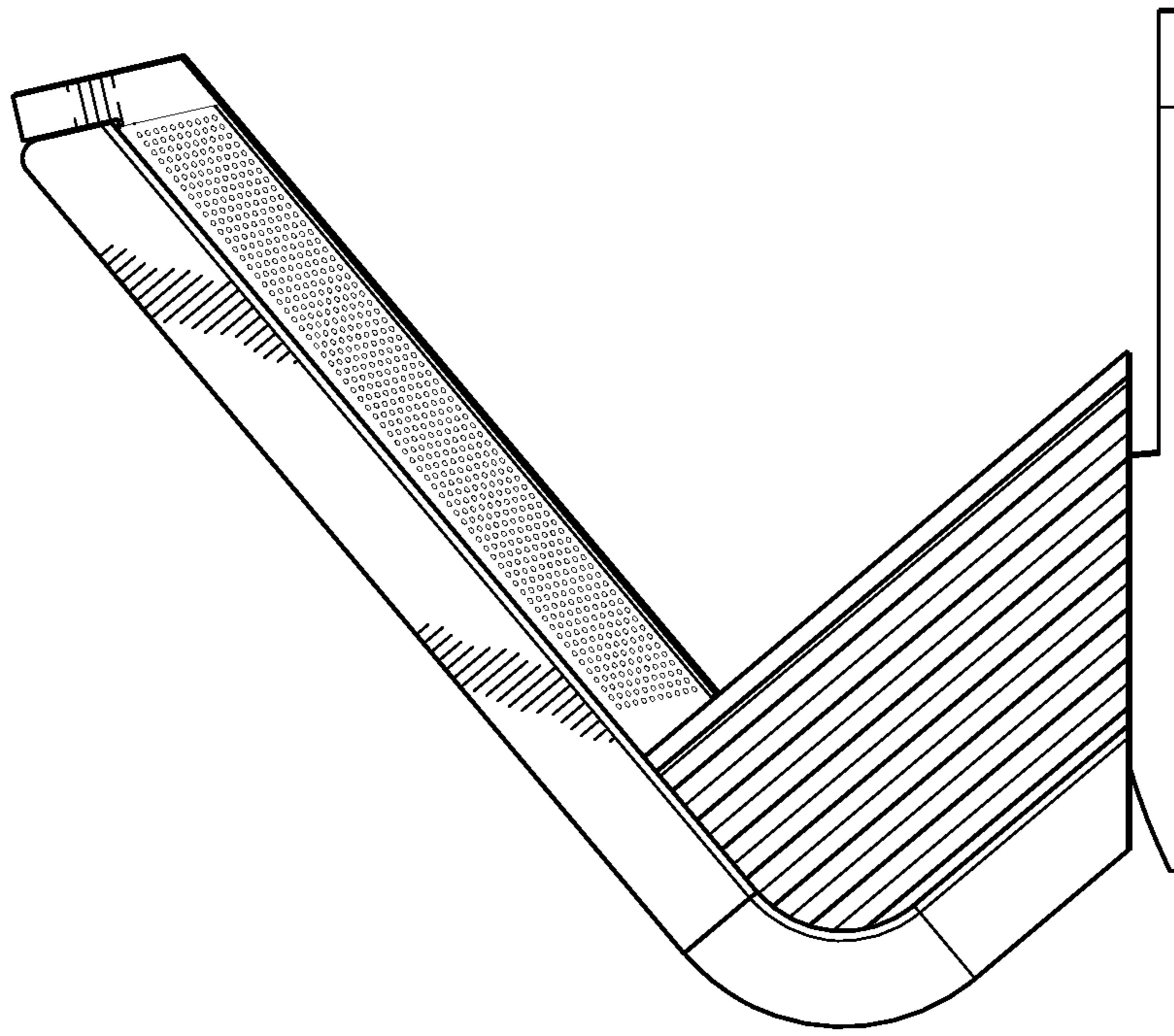


FIG. 5

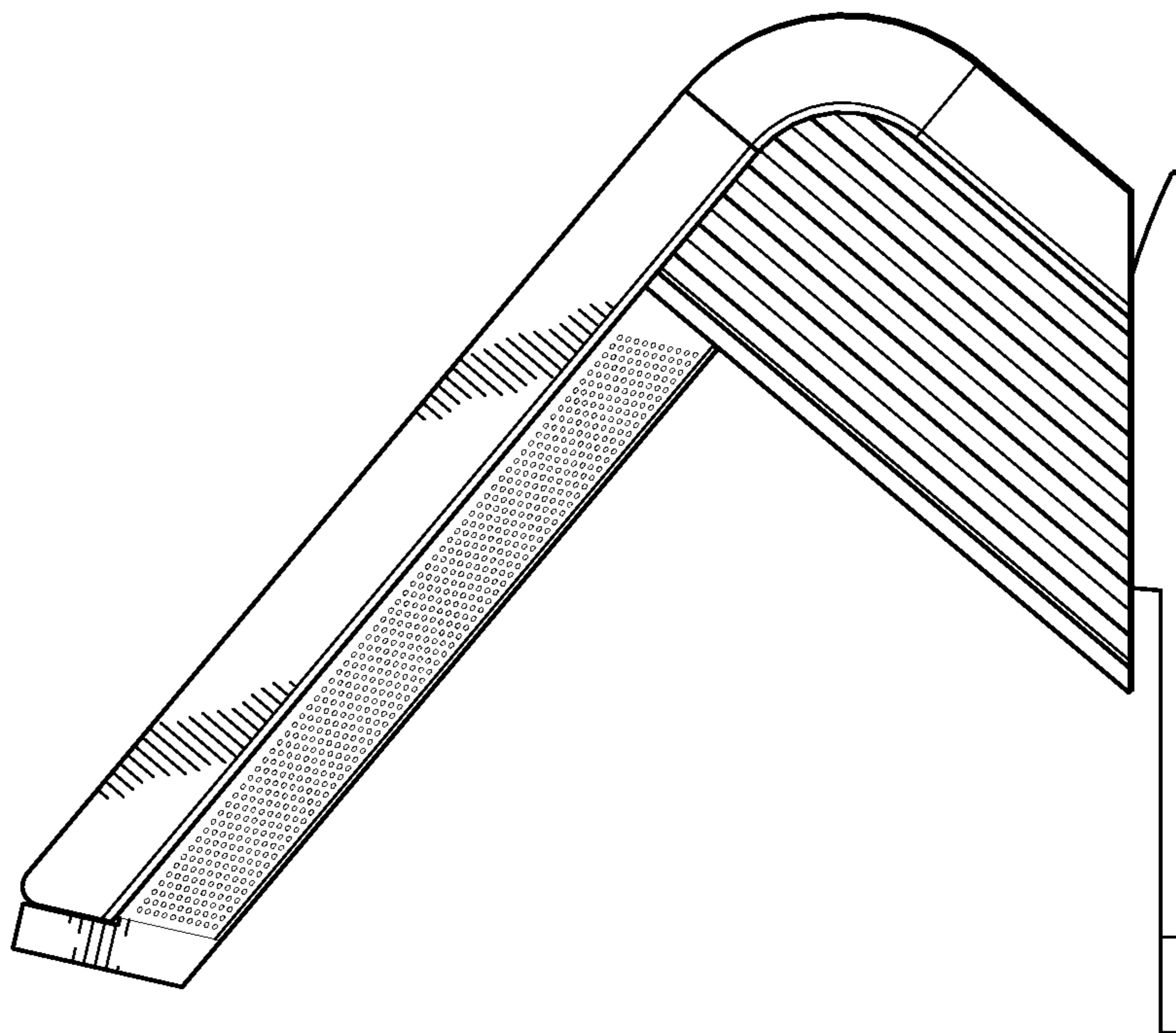


FIG. 4

FIG. 6

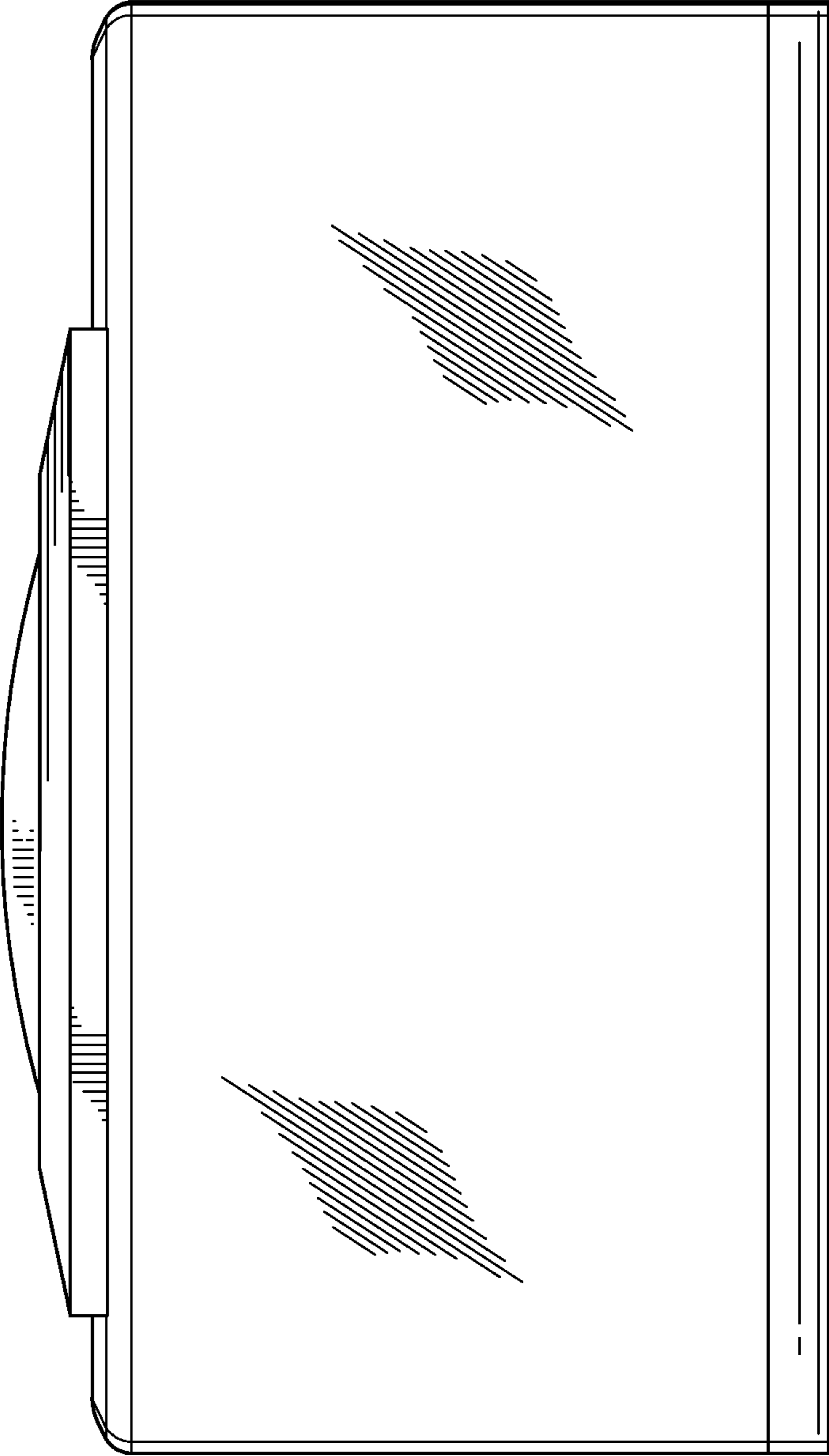


FIG. 7

