

US00D693606S

(12) **United States Design Patent**
Hertaus

(10) **Patent No.:** **US D693,606 S**

(45) **Date of Patent:** **** Nov. 19, 2013**

(54) **PULL-OUT DRAWER APPARATUS**

(75) **Inventor:** **Alan Hertaus, LeSueur, MN (US)**

(73) **Assignee:** **Lipper International, Inc., Wallingford, CT (US)**

(**) **Term:** **14 Years**

(21) **Appl. No.:** **29/426,750**

(22) **Filed:** **Jul. 10, 2012**

(51) **LOC (9) Cl.** **06-04**

(52) **U.S. Cl.**
USPC **D6/671.1**

(58) **Field of Classification Search**
USPC D6/657, 663, 664, 671, 671.1, 671.2,
D6/671.3, 671.4, 675.2; 312/111, 114,
312/117, 122, 138.1, 204, 237, 249.4,
312/249.11, 330.1, 334.7; D3/297, 298;
D34/19, 21; 211/126.15, 126.8, 133.2,
211/150

See application file for complete search history.

(56) **References Cited**

U.S. PATENT DOCUMENTS

2,811,404 A * 10/1957 Brooks et al. 312/330.1
2,988,412 A * 6/1961 Vannice 312/111
D208,411 S * 8/1967 Dobson D6/671.1

D367,381 S * 2/1996 Licari D3/297
D387,224 S * 12/1997 Dunlap, Jr. D6/671.1
D436,461 S * 1/2001 Walker D6/671.1
D506,086 S * 6/2005 Cassell D6/668.2
7,963,408 B2 * 6/2011 Glover 211/126.15
D671,318 S * 11/2012 Schmidt et al. D3/297
2003/0030353 A1 * 2/2003 Remmers 312/334.7
2007/0007869 A1 * 1/2007 Kobayashi 312/330.1
2010/0244644 A1 * 9/2010 Slayton et al. 312/330.1
2013/0063012 A1 * 3/2013 Lu 312/334.7

* cited by examiner

Primary Examiner — Mimosa De

(74) *Attorney, Agent, or Firm* — Lucas & Mercanti, LLP

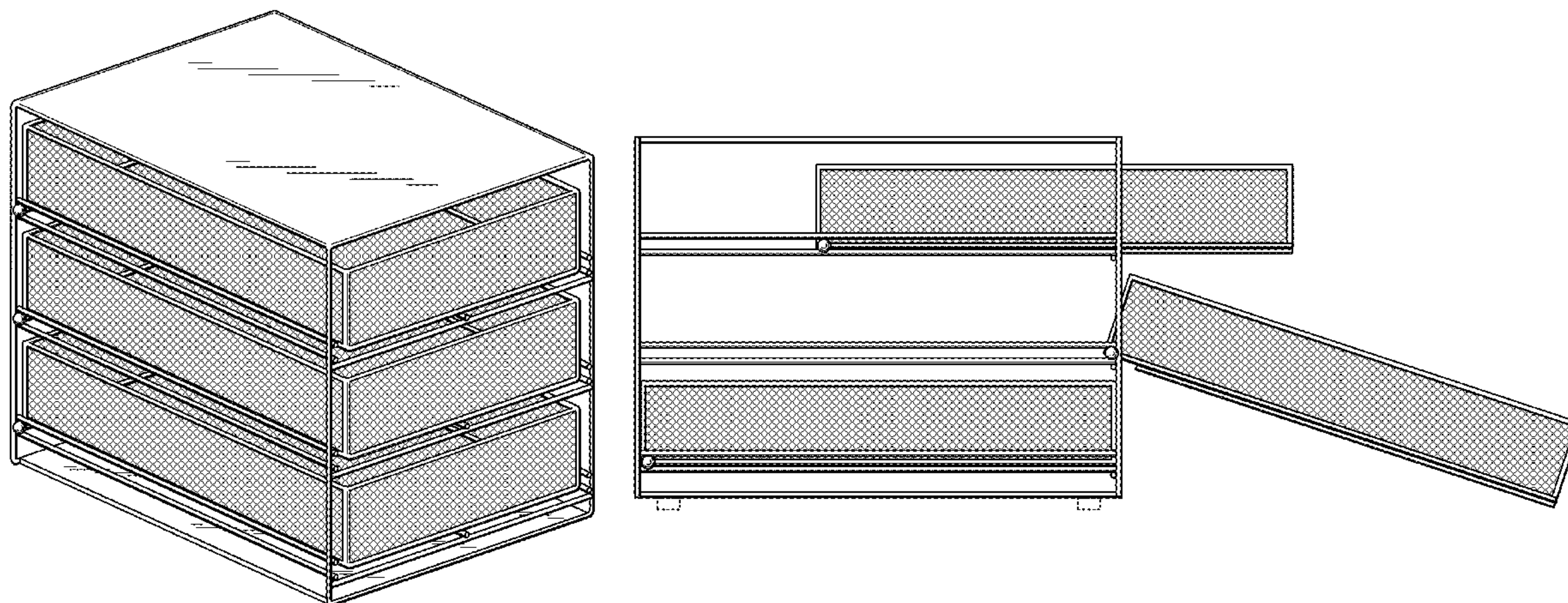
(57) **CLAIM**

The ornamental design for a pull-out drawer apparatus, as shown and described.

DESCRIPTION

FIG. 1 is a front perspective view of the design;
FIG. 2 is a front elevational view of the design;
FIG. 3 is a rear elevational view of the design;
FIG. 4 is a first side elevational view of the design, with the opposite second side being a mirror image of the first side;
FIG. 5 is a top plan view of the design;
FIG. 6 is a bottom plan view of the design; and,
FIG. 7 is a side elevational view of the design with the drawers in different degrees of extension out from the enclosure.
The broken line showing is for illustrative purposes only, and forms no part of the claimed design.

1 Claim, 6 Drawing Sheets



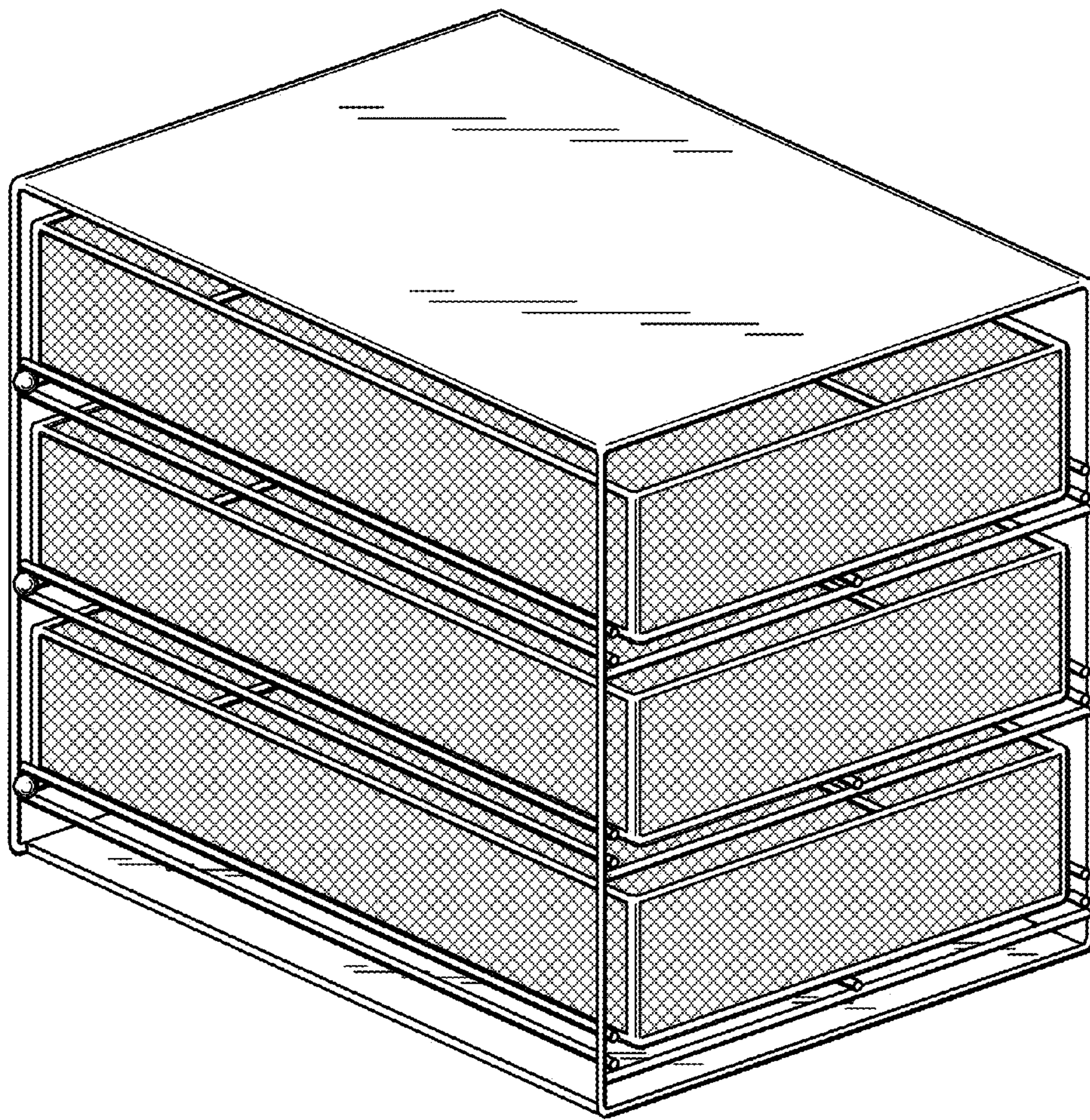


Fig. 1

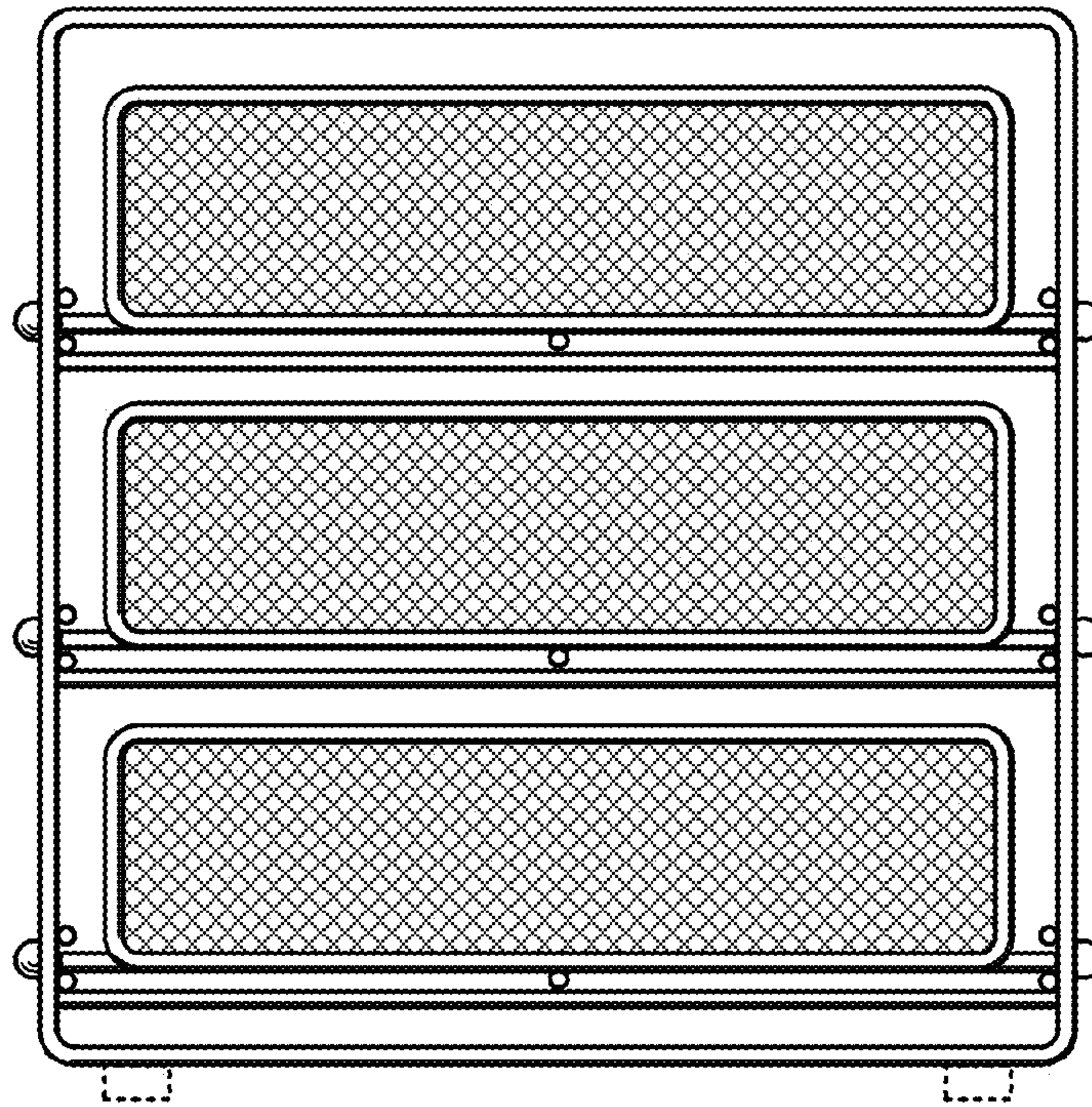


Fig. 2

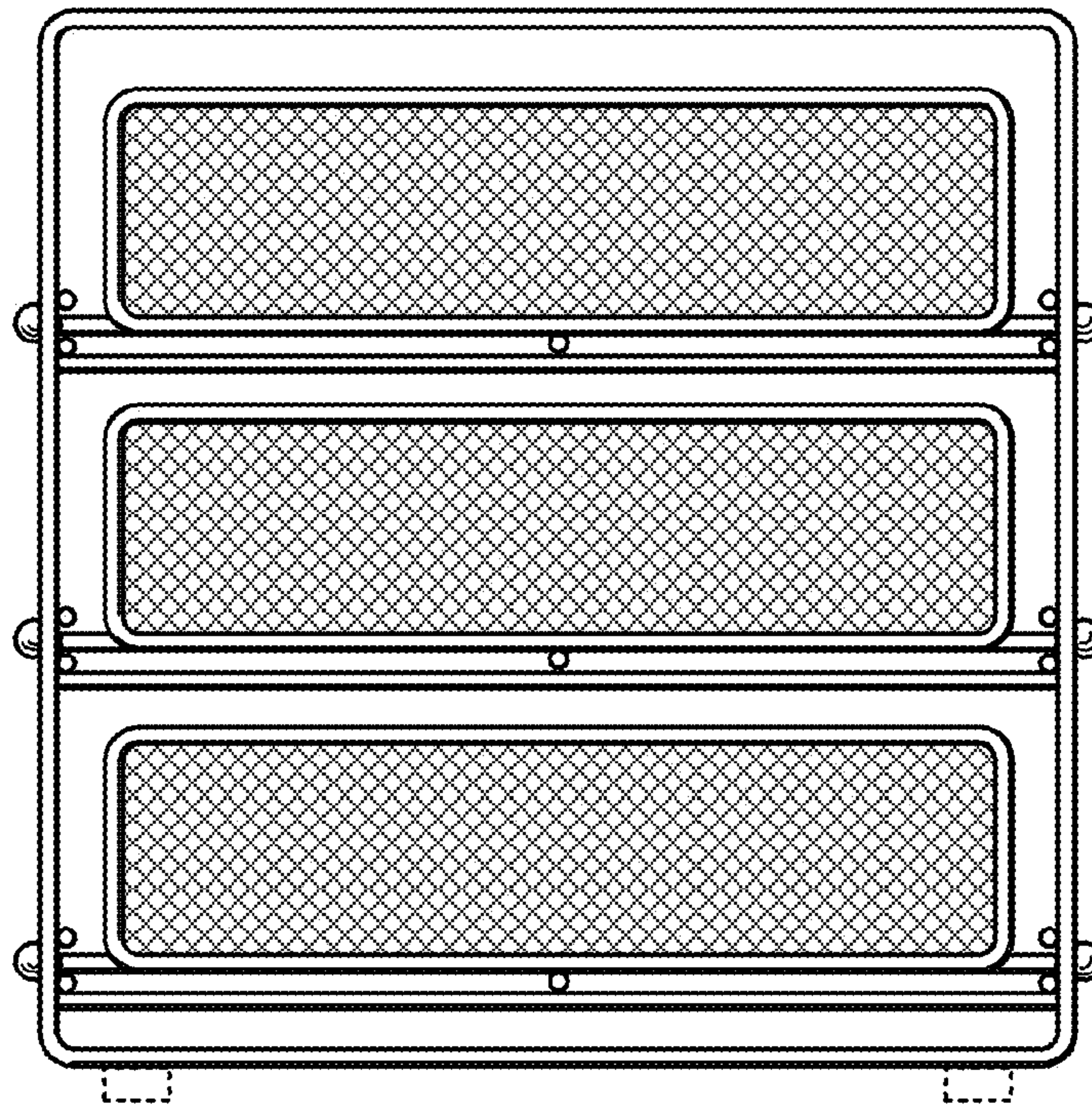


Fig. 3

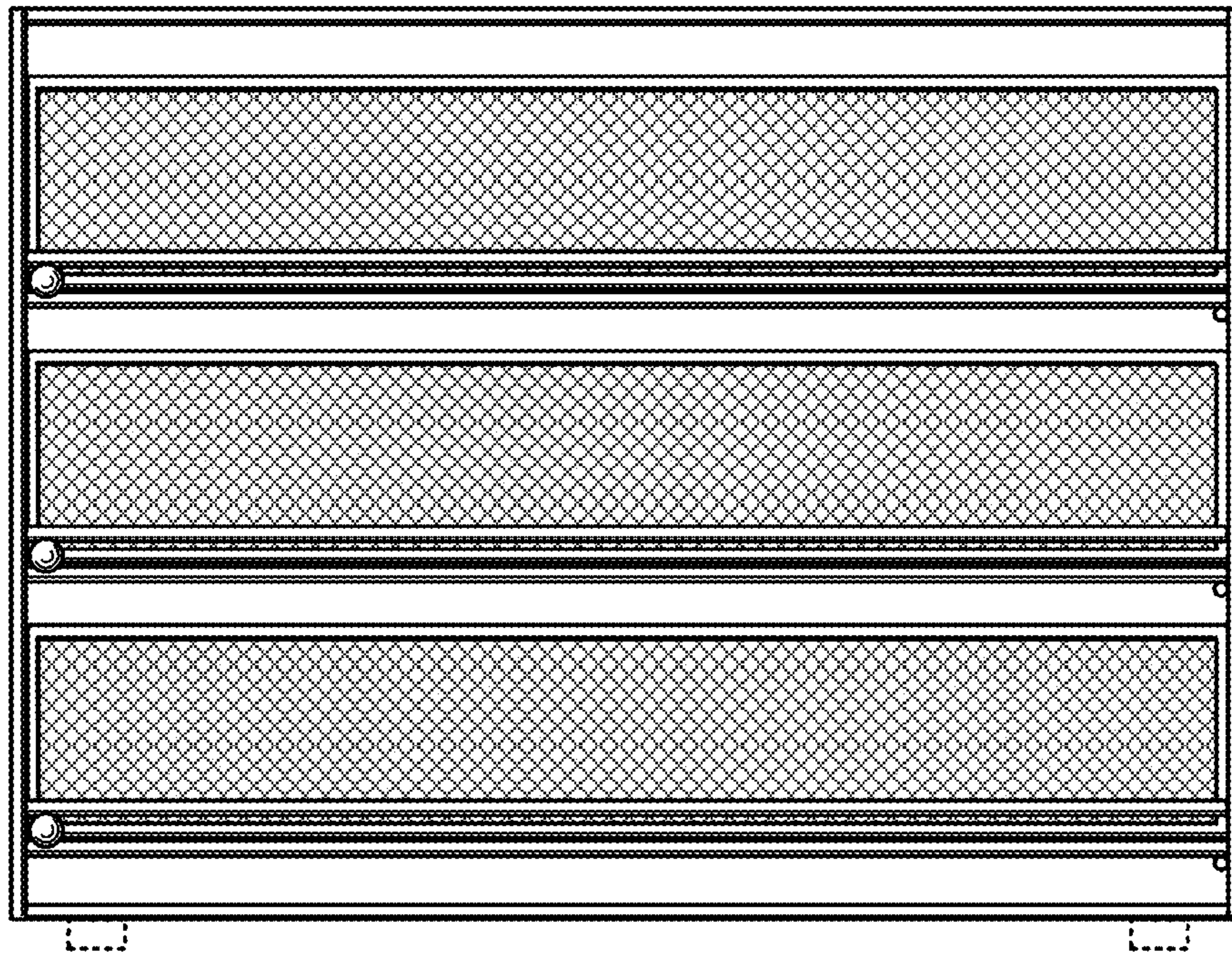


Fig. 4

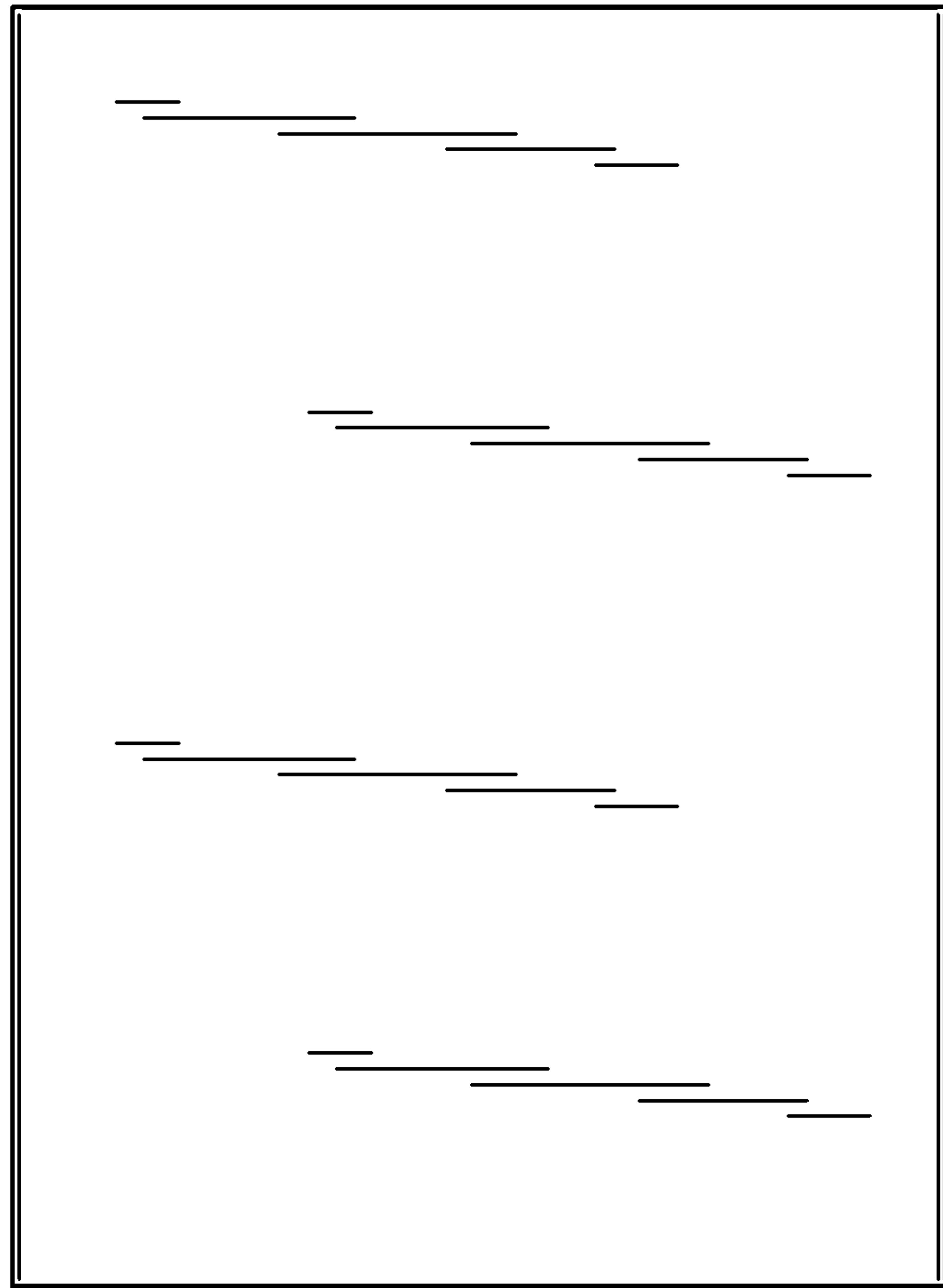


Fig. 5

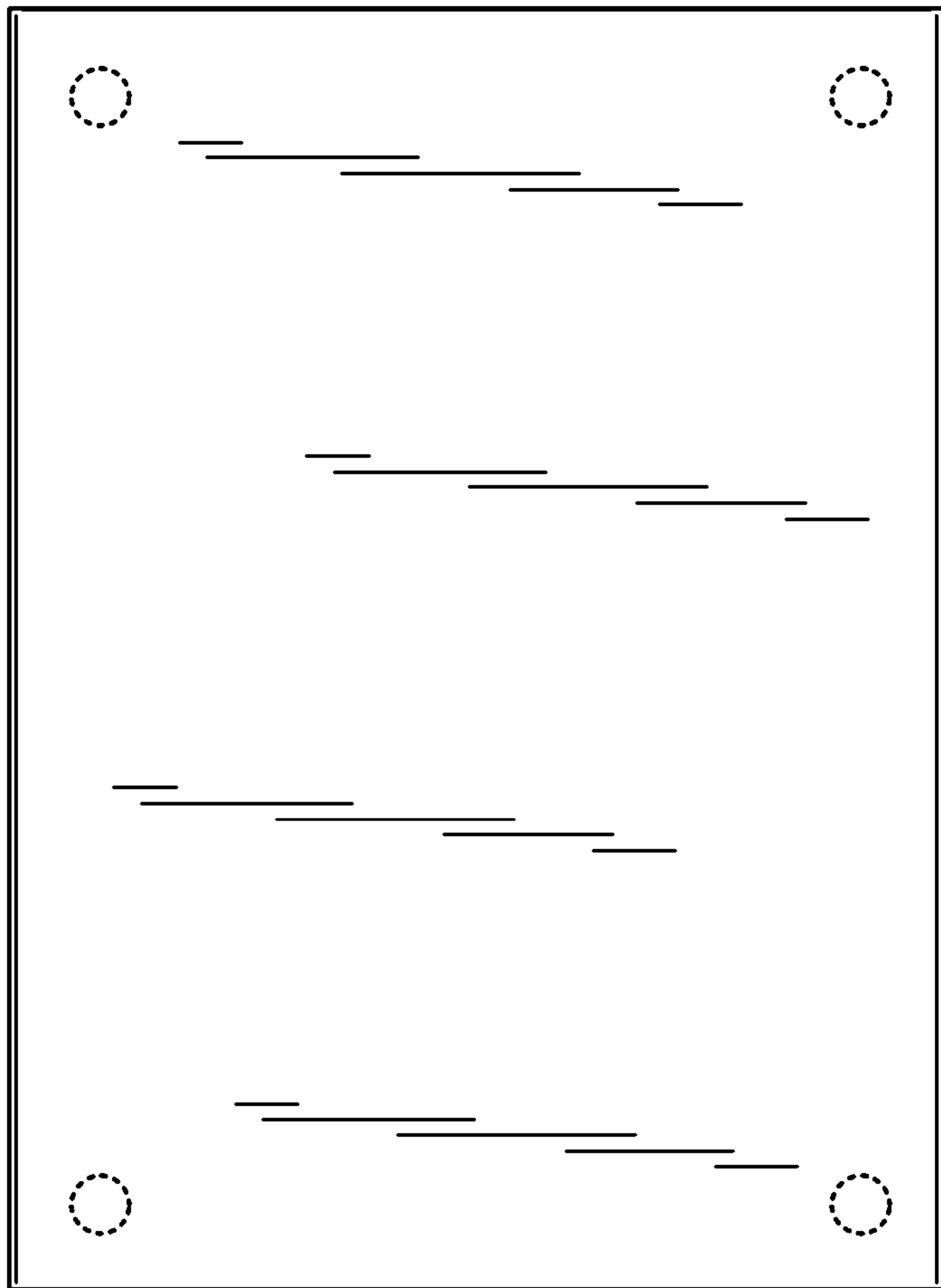


Fig. 6

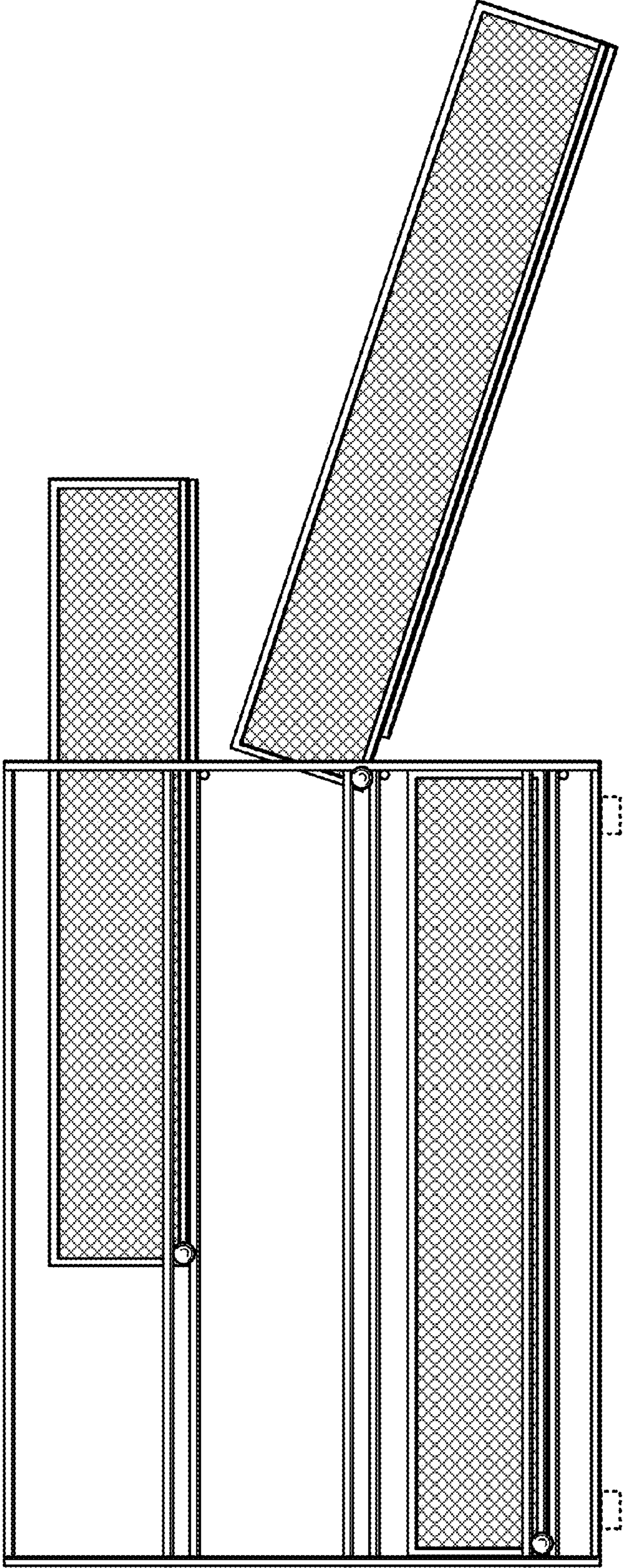


Fig. 7