



US00D693604S

(12) **United States Design Patent**
Asklof

(10) **Patent No.:** **US D693,604 S**

(45) **Date of Patent:** **** Nov. 19, 2013**

(54) **MATTRESS**

(71) Applicant: **Kristina Skjoldemose Asklof, Nyborg**
(DK)

(72) Inventor: **Kristina Skjoldemose Asklof, Nyborg**
(DK)

(73) Assignee: **Dan-Foam ApS, Aarup** (DK)

(**) Term: **14 Years**

(21) Appl. No.: **29/436,085**

(22) Filed: **Nov. 1, 2012**

(51) **LOC (9) Cl.** **06-09**

(52) **U.S. Cl.**
USPC **D6/605**

(58) **Field of Classification Search**
USPC D6/595, 596, 605, 602, 603; 5/690,
5/703, 704, 716, 717, 739, 740, 657.5,
5/675, 680, 700, 737, 499, 721, 907
See application file for complete search history.

(56) **References Cited**

U.S. PATENT DOCUMENTS

D315,655 S * 3/1991 White D6/603
D346,074 S * 4/1994 White D6/603

D356,917 S * 4/1995 Marshburn D6/596
5,528,780 A * 6/1996 Taylor 5/499
6,658,683 B2 * 12/2003 Parvin 5/727
7,200,884 B2 * 4/2007 Wright et al. 5/717
2005/0076446 A1 * 4/2005 Fogg 5/690

* cited by examiner

Primary Examiner — Janice Seeger

(57) **CLAIM**

I claim the ornamental design for a mattress, as shown and described.

DESCRIPTION

FIG. 1 is a top perspective view of a mattress of the present invention.

FIG. 2 is a top view of the mattress of FIG. 1.

FIG. 3 is a right side view of the mattress of FIG. 1.

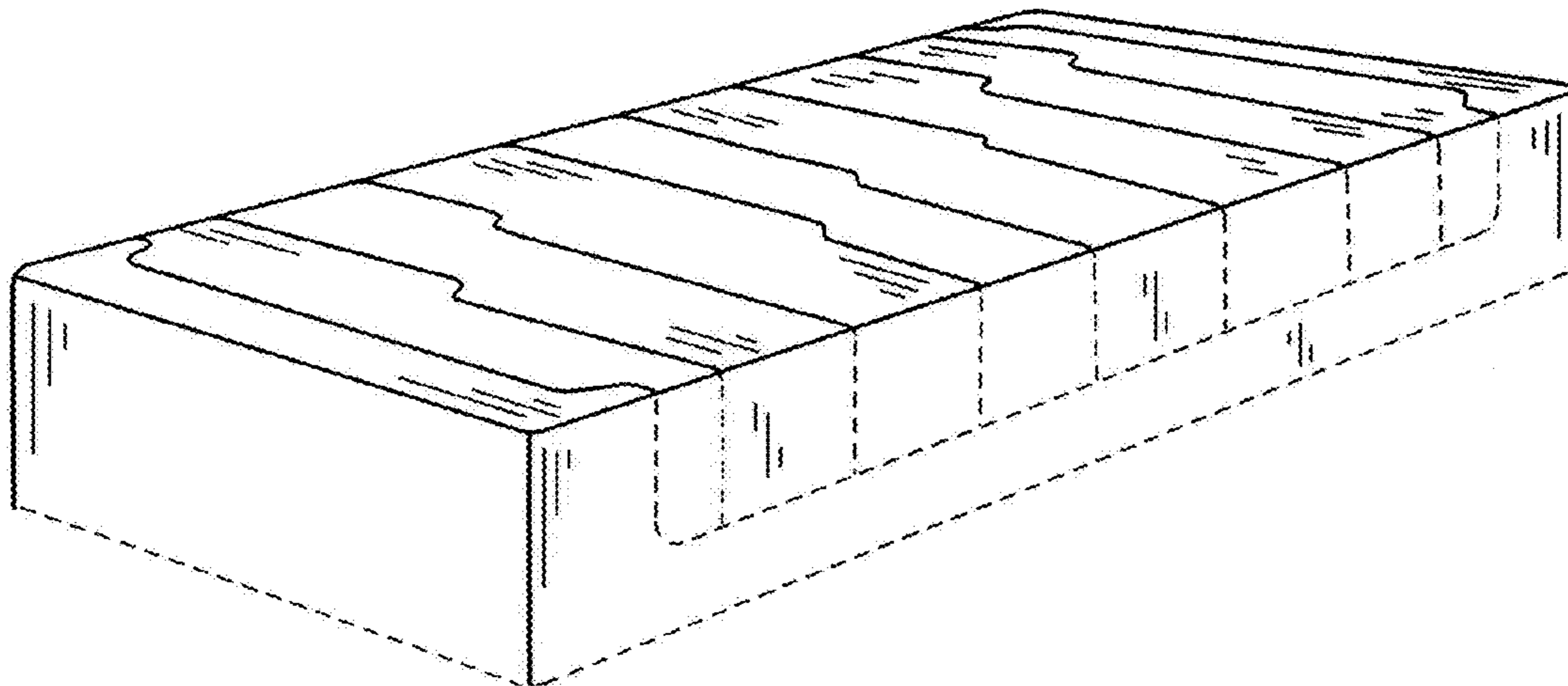
FIG. 4 is a left side view of the mattress of FIG. 1.

FIG. 5 is a right end view of the mattress of FIG. 1 with the left end being a mirror image thereof; and,

FIG. 6 is a bottom view of the mattress of FIG. 1.

The portions of the mattress shown in broken lines are included for the purpose of illustrating environment and form no part of the claimed design.

1 Claim, 5 Drawing Sheets



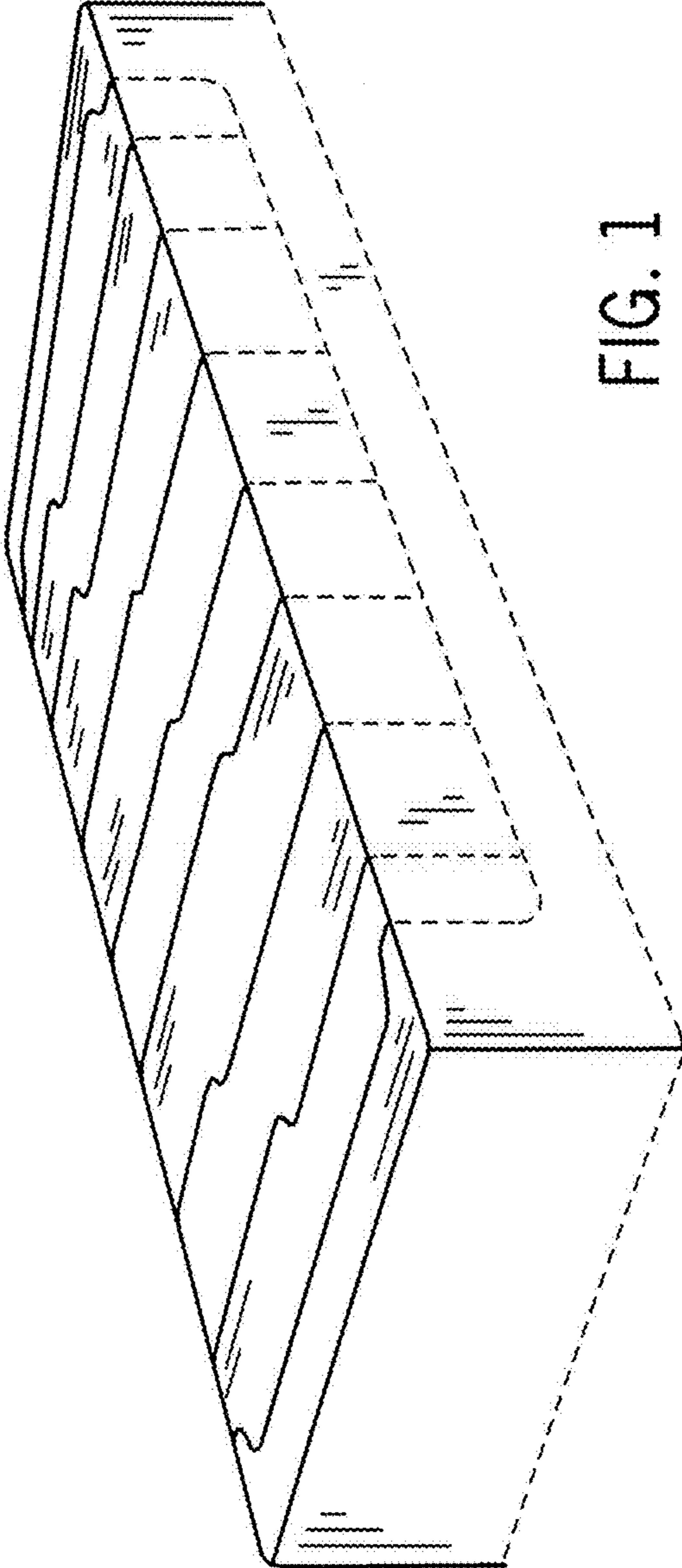


FIG. 1

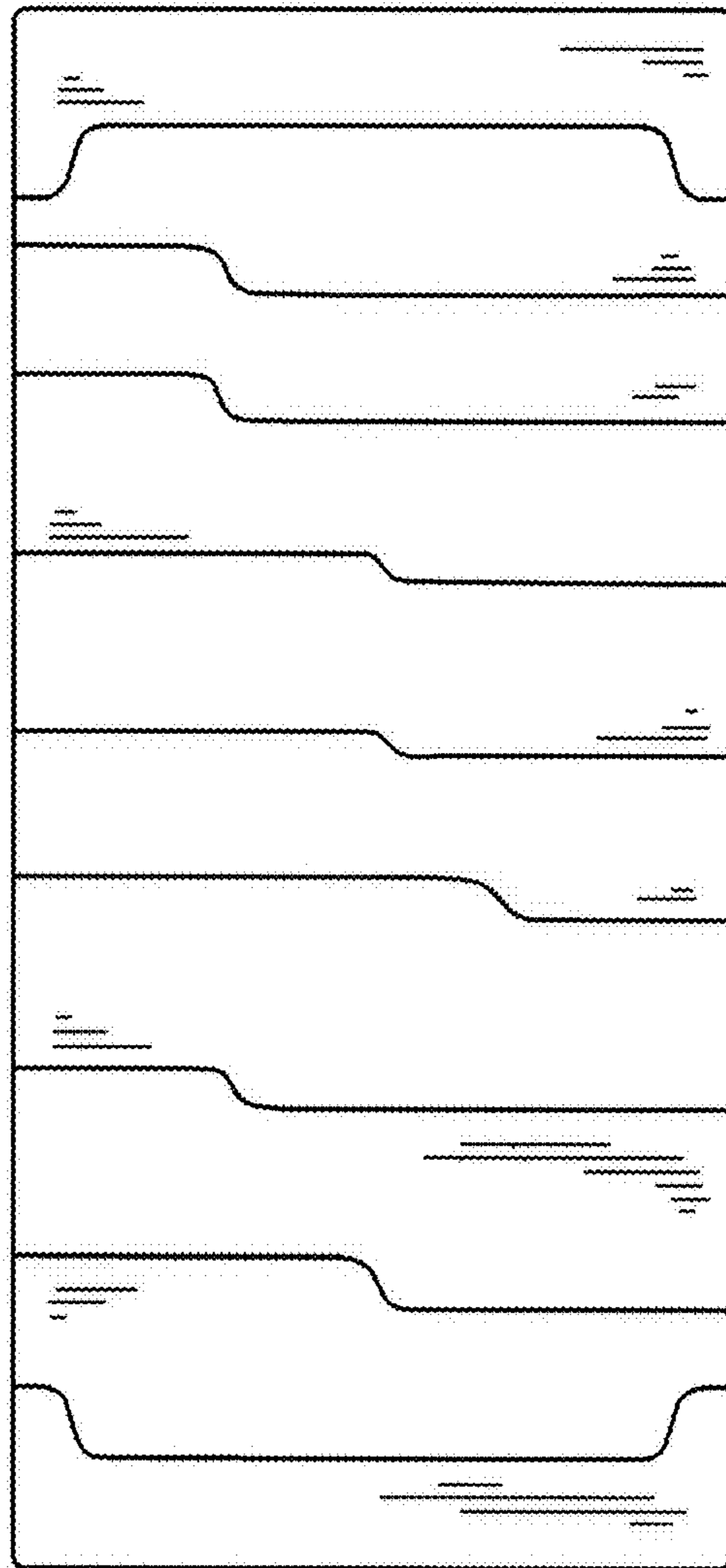


FIG. 2

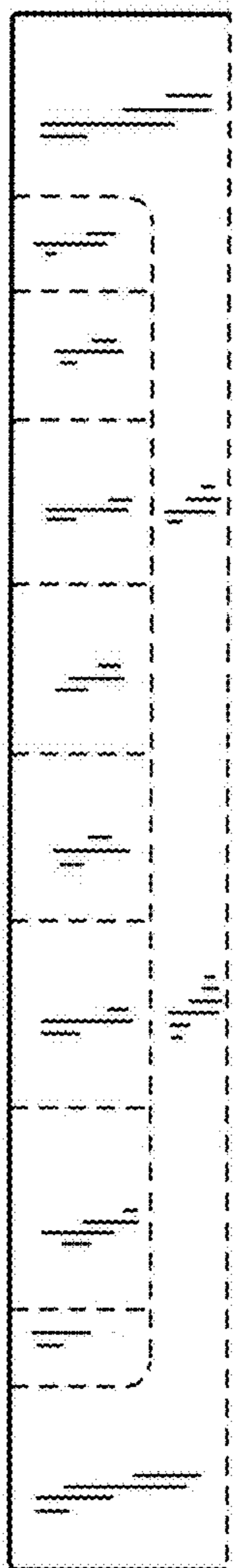


FIG. 3

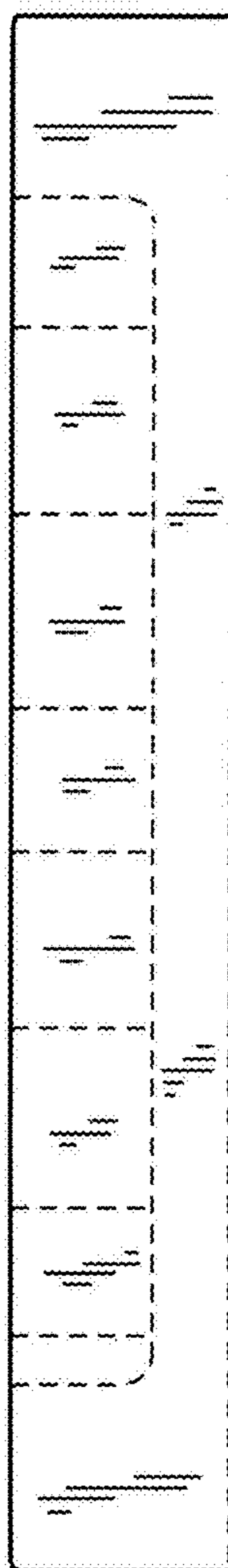


FIG. 4

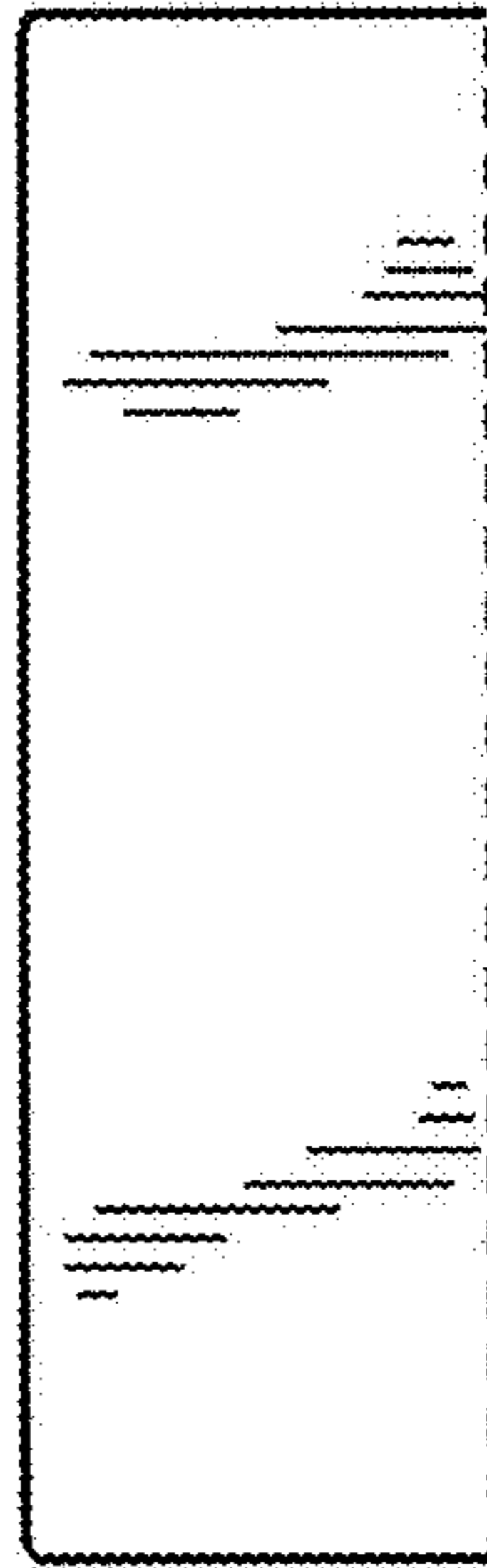


FIG. 5

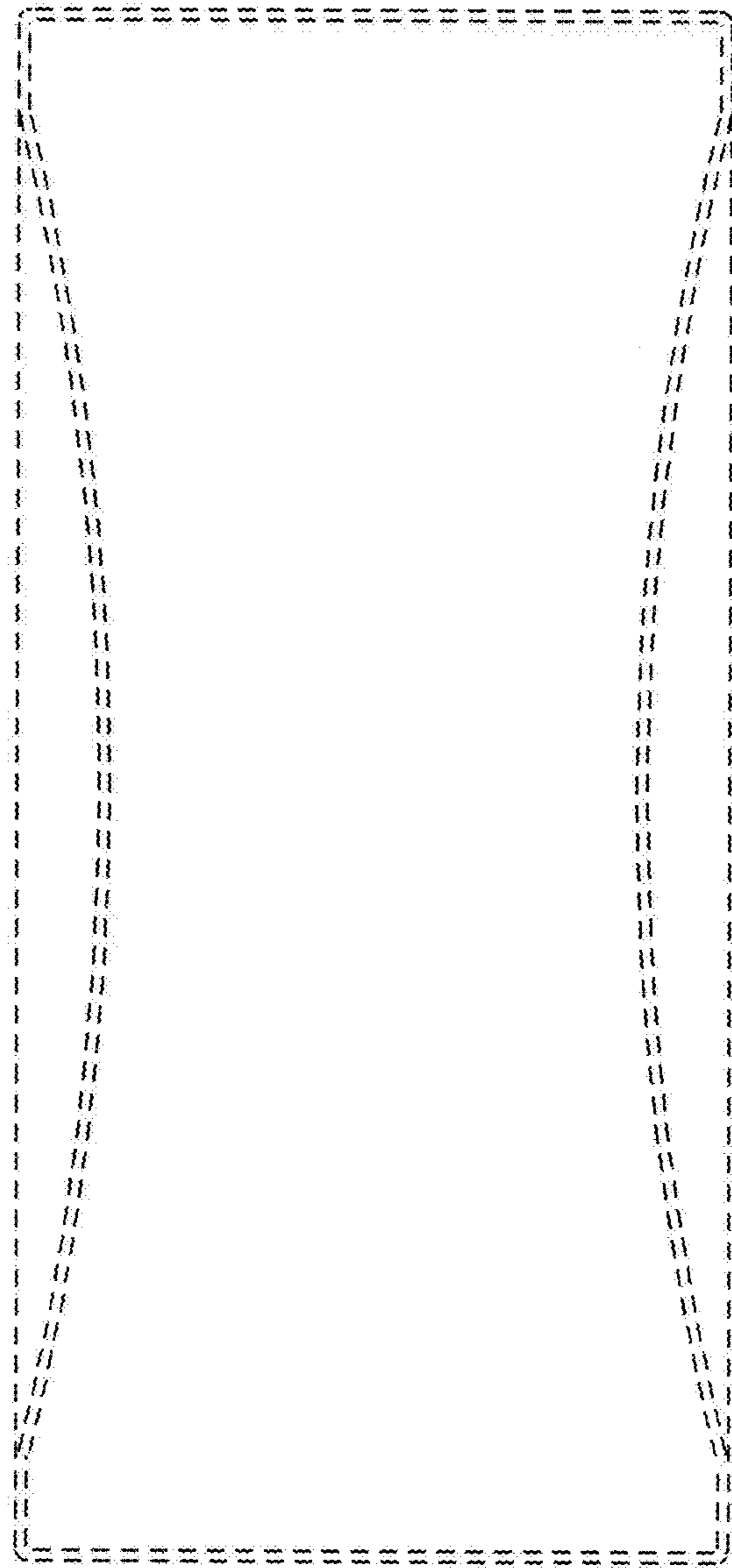


FIG. 6