



US00D693599S

(12) **United States Design Patent**  
**Dekker et al.**

(10) **Patent No.:** **US D693,599 S**  
(45) **Date of Patent:** **\*\* Nov. 19, 2013**

(54) **BLIND FOR A WINDOW**

(75) Inventors: **Nicolaas Dekker**, Rhoon (NL); **Paul Joost Bram Wensink**, Eindhoven (NL); **Herve Lepetit**, Chaumont (FR)

(73) Assignee: **Hunter Douglas Industries BV**, Rotterdam (NL)

(\*\*) Term: **14 Years**

(21) Appl. No.: **29/431,530**

(22) Filed: **Sep. 7, 2012**

(30) **Foreign Application Priority Data**

Mar. 8, 2012 (EM) ..... 001317630-0001

(51) **LOC (9) Cl.** ..... **06-10**

(52) **U.S. Cl.**  
USPC ..... **D6/577**

(58) **Field of Classification Search**  
USPC ..... D6/575-581; D5/64, 66; D8/323, 349, D8/353, 368, 369, 376, 377, 382; 160/84.01-84.08, 111, 115, 130, 160/168.1 R, 199, 331, 332  
See application file for complete search history.

(56) **References Cited**

**U.S. PATENT DOCUMENTS**

D98,260 S \* 1/1936 Kuyper ..... D6/577  
2,068,977 A \* 1/1937 Dodge ..... 160/236  
2,105,082 A 1/1938 Johnson  
2,137,444 A 11/1938 Clancy  
2,202,752 A \* 5/1940 Brenner ..... 160/173 R  
2,274,837 A 3/1942 Lawson  
2,570,199 A \* 10/1951 Brown ..... 160/113  
2,579,485 A \* 12/1951 Ferguson et al. .... 160/115

2,587,756 A 3/1952 Palmisano  
2,620,869 A \* 12/1952 Friedman ..... 160/236  
2,719,586 A \* 10/1955 Graham ..... 160/115  
2,751,000 A \* 6/1956 Mahan ..... 160/115  
2,757,726 A \* 8/1956 Rice et al. .... 160/115  
2,792,880 A \* 5/1957 Mayer ..... 160/115  
2,928,461 A \* 3/1960 Barrett ..... 160/115  
2,979,127 A 4/1961 Brown  
3,111,164 A \* 11/1963 Lombard ..... 160/115  
3,605,852 A 9/1971 Vecchiarelli  
4,651,794 A \* 3/1987 Bytheway, Jr. .... 160/168.1 R  
D292,874 S 11/1987 Clauss  
5,238,043 A 8/1993 Woodring  
5,285,838 A 2/1994 Rapp et al.  
D355,587 S 2/1995 Pozzi  
D372,828 S \* 8/1996 Sticker ..... D6/577

(Continued)

**FOREIGN PATENT DOCUMENTS**

EP 0322355 A1 6/1989

*Primary Examiner* — Karen S Acker

(74) *Attorney, Agent, or Firm* — Dorsey & Whitney LLP

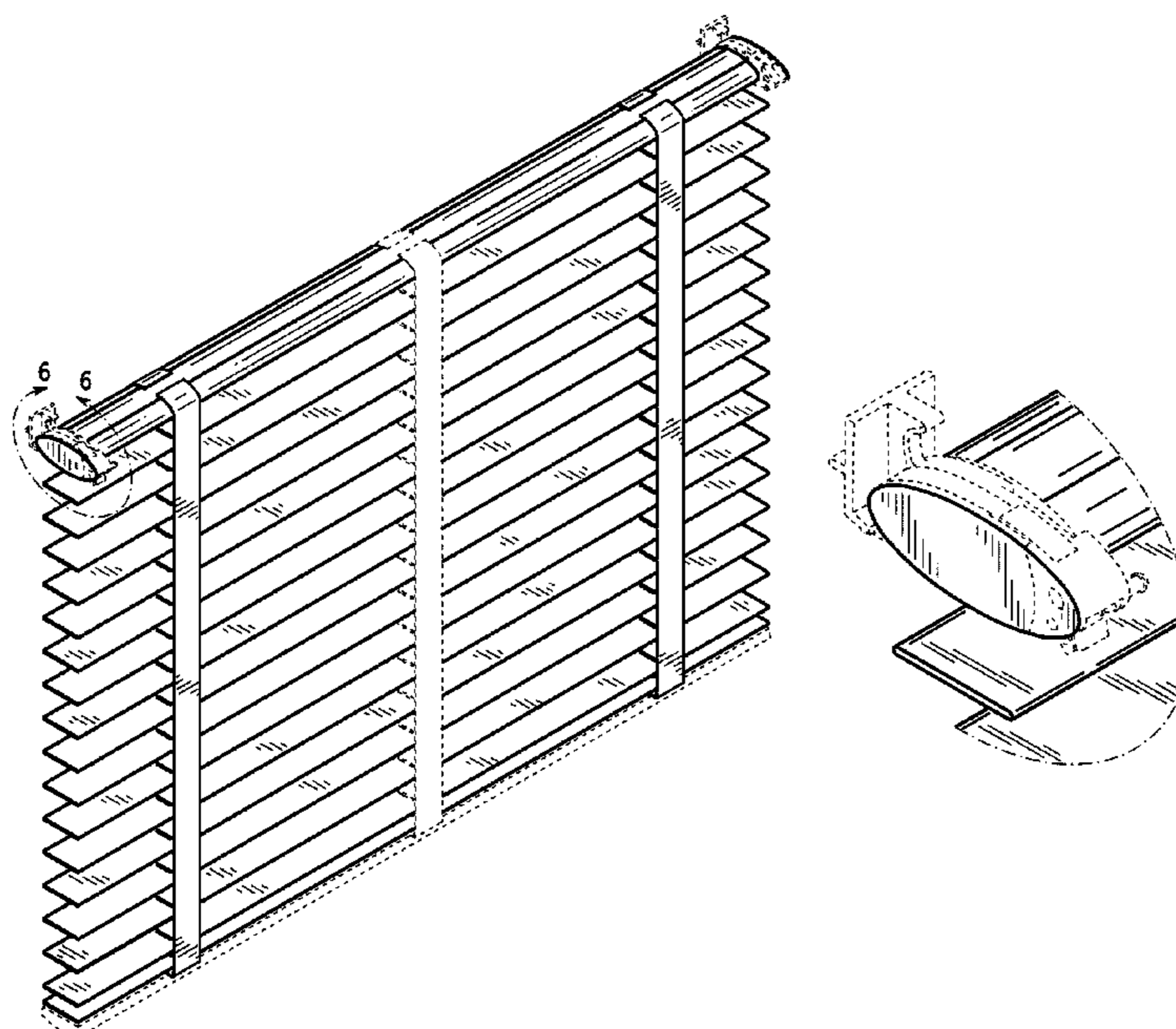
(57) **CLAIM**

We claim the ornamental design for a blind for a window, as shown and described.

**DESCRIPTION**

FIG. 1 is a front elevation view of a blind for a window. FIG. 2 is a top-left isometric view of the blind of FIG. 1. FIG. 3 is a left side elevation view of the blind of FIG. 1. FIG. 4 is a top plan view of the blind of FIG. 1. FIG. 5 is a bottom plan view of the blind of FIG. 1; and, FIG. 6 is a detail view of the blind of FIG. 1 bounded by the detail line 6-6 as shown in FIG. 2. The broken lines, which define the bounds of the claimed design, form no part of the claimed design.

**1 Claim, 5 Drawing Sheets**



# US D693,599 S

Page 2

(56)

## References Cited

### U.S. PATENT DOCUMENTS

5,626,177 A 5/1997 Colson et al.  
6,076,588 A 6/2000 Swiszc et al.  
D428,292 S 7/2000 Anderson  
D448,594 S 10/2001 Throne  
D452,403 S 12/2001 Sudano  
6,491,085 B1\* 12/2002 Anthony et al. .... 160/168.1 V  
6,622,770 B1 9/2003 Tyner  
D489,210 S 5/2004 Goldberg

D495,549 S \* 9/2004 Yu et al. .... D6/577  
D509,692 S \* 9/2005 Dekker et al. .... D6/577  
D518,988 S \* 4/2006 Strand et al. .... D6/575  
D530,131 S \* 10/2006 Chatham et al. .... D6/580  
7,114,544 B2 10/2006 Rice et al.  
7,168,475 B2 1/2007 Colson et al.  
D610,708 S 2/2010 Kramer  
D620,738 S 8/2010 Baron  
2004/0016514 A1\* 1/2004 Nien ..... 160/115  
2007/0000621 A1 1/2007 Drew et al.

\* cited by examiner

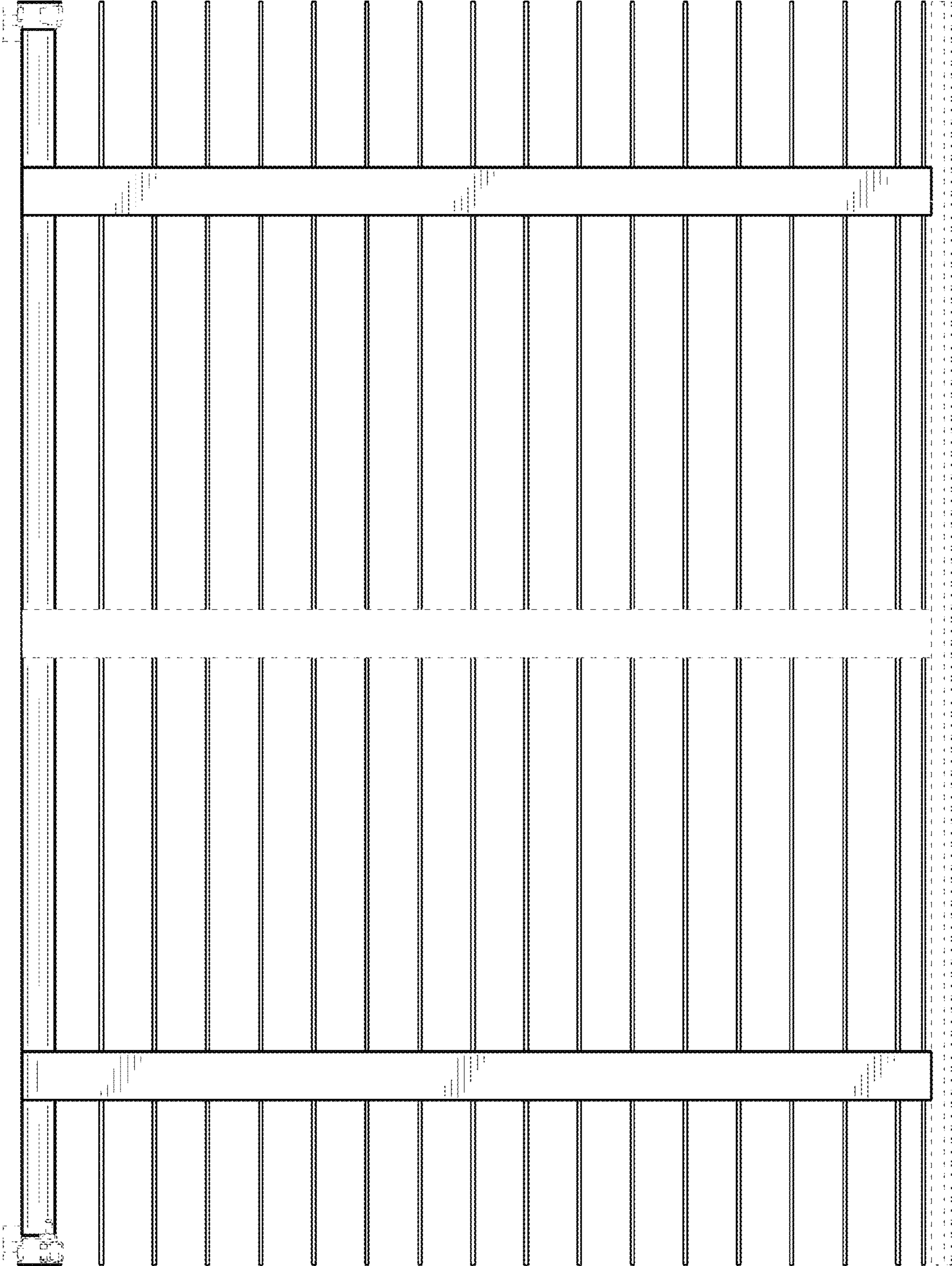


FIG. 1



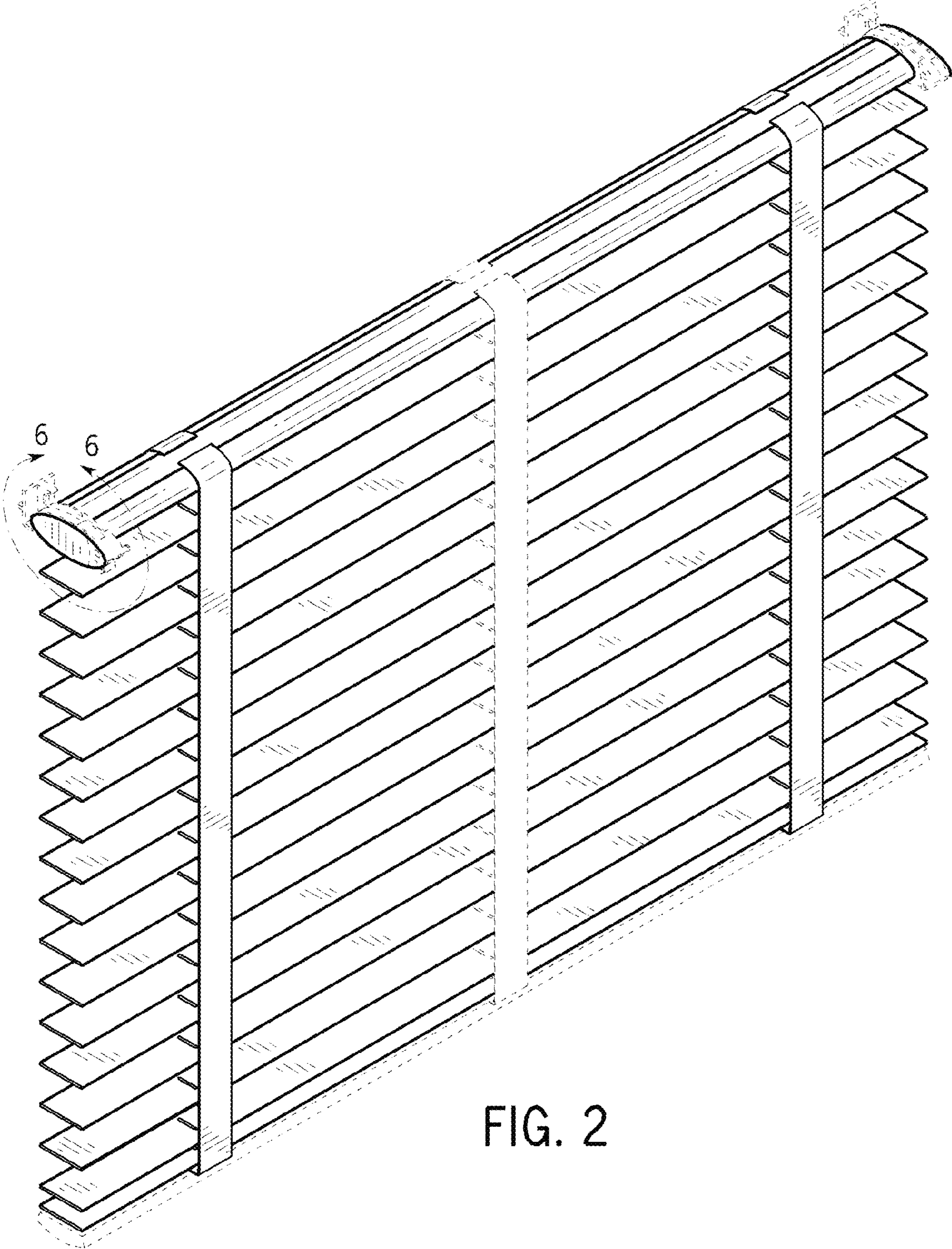


FIG. 2

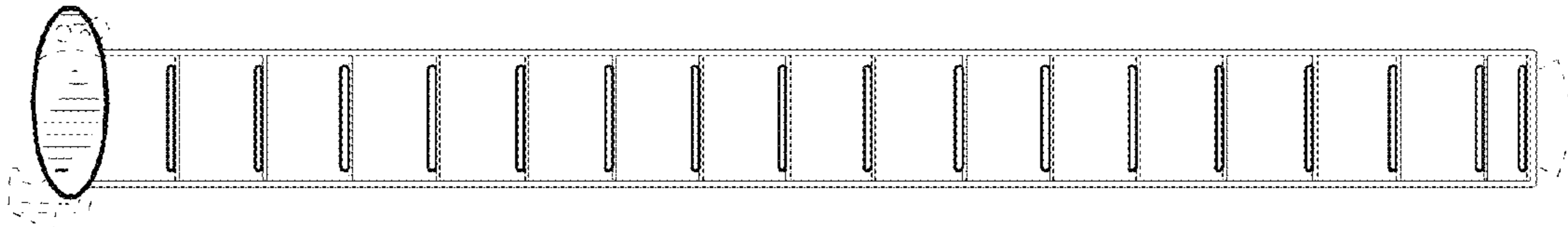


FIG. 3

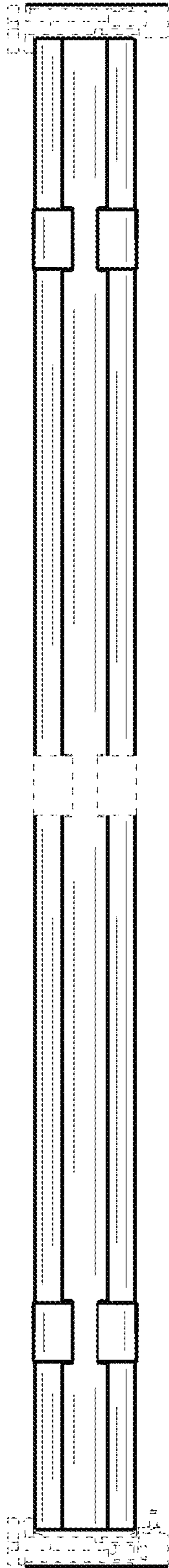


FIG. 4

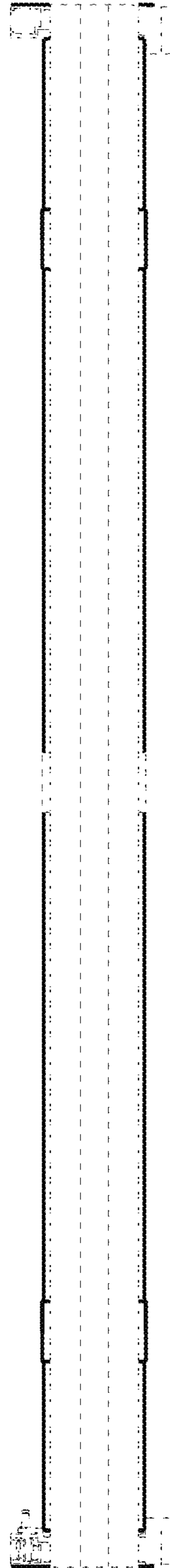
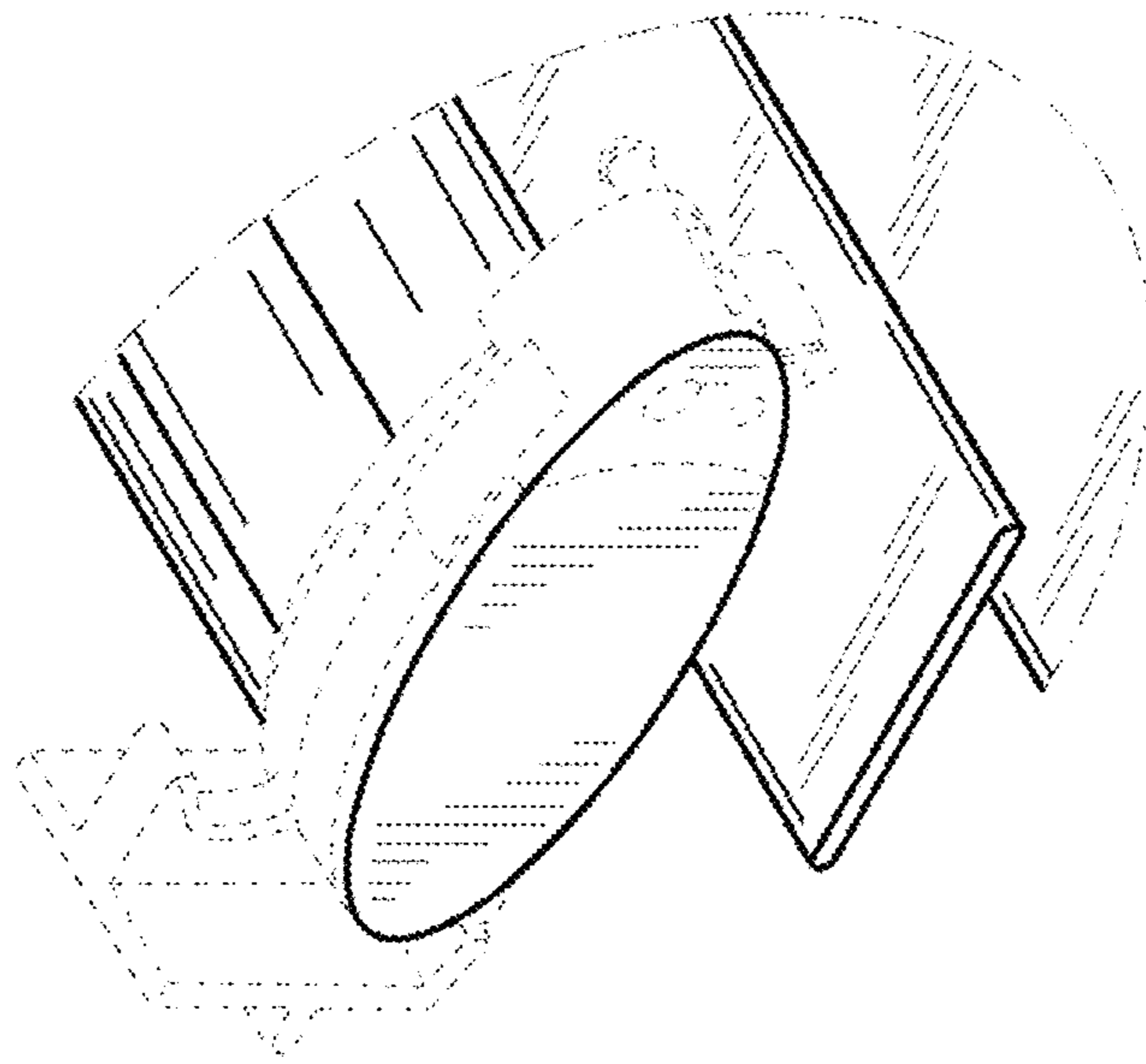


FIG. 5

FIG. 6



UNITED STATES PATENT AND TRADEMARK OFFICE  
**CERTIFICATE OF CORRECTION**

PATENT NO. : D693,599 S  
APPLICATION NO. : 29/431530  
DATED : November 19, 2013  
INVENTOR(S) : Nicolaas Dekker et al.

Page 1 of 1

It is certified that error appears in the above-identified patent and that said Letters Patent is hereby corrected as shown below:

On the title page item (73), Assignee's address is corrected to "**Rotterdam**"

Signed and Sealed this  
Twenty-eighth Day of January, 2014



Michelle K. Lee  
*Deputy Director of the United States Patent and Trademark Office*