



US00D693598S

(12) **United States Design Patent Strand**

(10) **Patent No.:** **US D693,598 S**

(45) **Date of Patent:** **** Nov. 19, 2013**

(54) **PLEATED AND WOVEN WOOD SHADE**

(75) Inventor: **Toralf H. Strand**, Exeter, NH (US)

(73) Assignee: **Flexo Solutions, LLC**, Appleton, WI (US)

(**) Term: **14 Years**

(21) Appl. No.: **29/410,484**

(22) Filed: **Jan. 9, 2012**

(51) **LOC (9) Cl.** **06-10**

(52) **U.S. Cl.**
USPC **D6/575**

(58) **Field of Classification Search**
USPC D6/575-581; D5/64, 66; D8/323, 349,
D8/353, 368, 369, 376, 377, 382;
160/84.01-84.08, 111, 115, 130,
160/168.1 R, 199, 331, 332
See application file for complete search history.

(56) **References Cited**

U.S. PATENT DOCUMENTS

4,544,011	A *	10/1985	Sawamura	160/84.04
4,753,281	A *	6/1988	Wagner	160/84.06
5,139,069	A *	8/1992	Hong	160/84.04
5,560,414	A *	10/1996	Judkins et al.	160/178.1 R
5,613,540	A *	3/1997	Jelic	160/84.04
6,059,004	A *	5/2000	Oskam	160/84.04
D445,621	S	7/2001	Judkins	
D496,204	S *	9/2004	Tuzmen	D6/577
6,845,801	B2 *	1/2005	Hsu	160/84.04
6,948,545	B1 *	9/2005	Cheng et al.	160/170
6,962,186	B2 *	11/2005	Hsu	160/84.04
7,028,737	B2 *	4/2006	Hsu	160/84.03
D530,965	S *	10/2006	Roberts	D6/575
7,219,710	B2 *	5/2007	Cheng	160/170

D605,885	S	12/2009	Judkins	
2005/0056384	A1 *	3/2005	Dekker et al.	160/178.2
2007/0056691	A1 *	3/2007	Lin	160/84.04
2008/0173409	A1 *	7/2008	Robertson et al.	160/84.01
2008/0185108	A1 *	8/2008	Cheng	160/84.01
2008/0230189	A1 *	9/2008	Rossato et al.	160/115

* cited by examiner

Primary Examiner — Karen S Acker

(74) *Attorney, Agent, or Firm* — Buchanan Ingersoll & Rooney PC

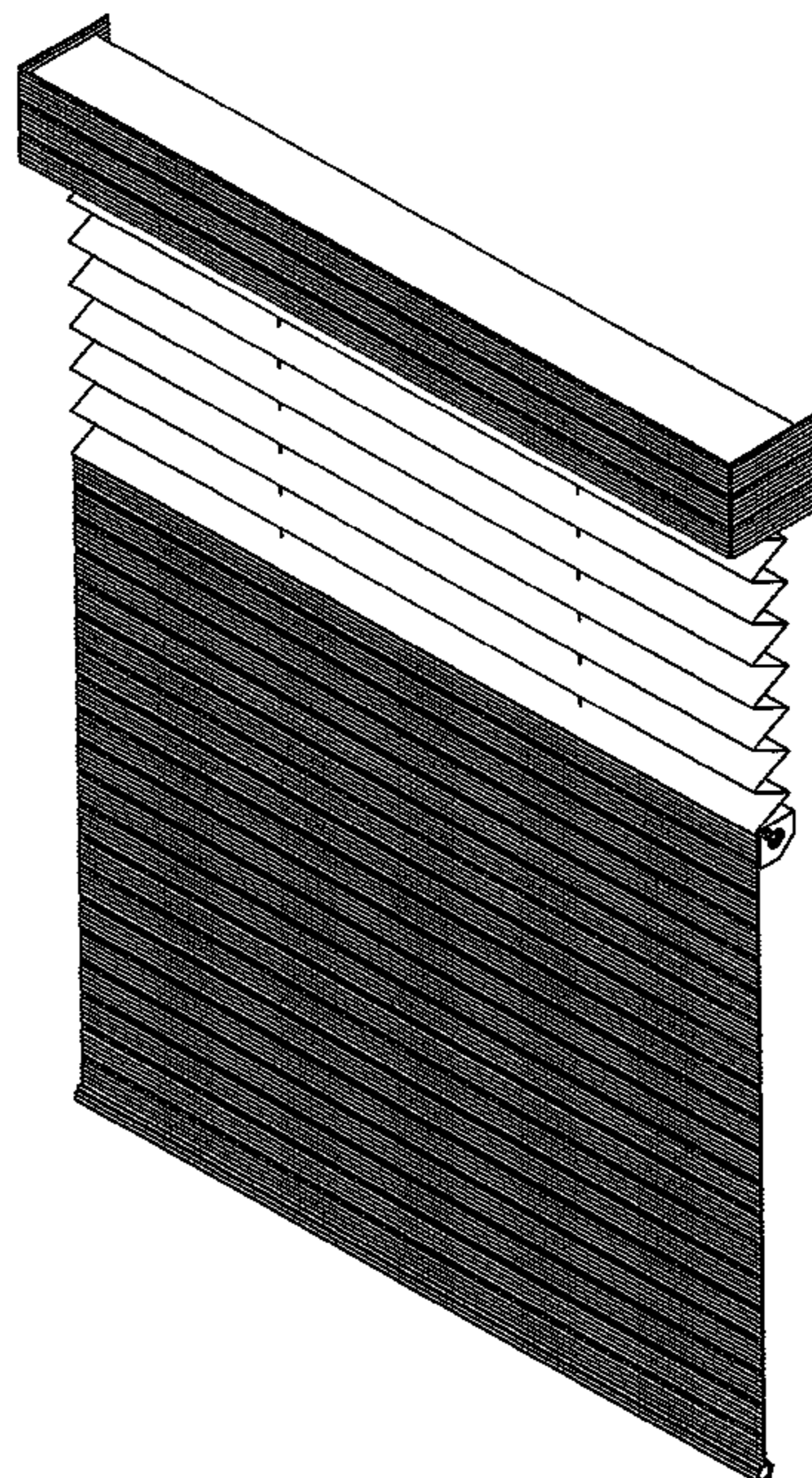
(57) **CLAIM**

The ornamental design for a pleated and woven wood shade, as shown and described.

DESCRIPTION

FIG. 1 is a front view of my pleated and woven wood shade in a fully lowered position;
 FIG. 2 is a left side view thereof, the right side view being a mirror image thereof;
 FIG. 3 is a rear view thereof;
 FIG. 4 is a front perspective view thereof;
 FIG. 5 is a perspective view thereof showing the pleated portion in a fully lowered position and the woven wood portion in a fully raised position;
 FIG. 6 is a perspective view thereof showing the pleated portion and the woven wood portion in fully raised positions;
 FIG. 7 is a top view thereof;
 FIG. 8 is a bottom view thereof; and,
 FIG. 9 is a perspective view of the design of FIG. 1 with lift cords and tassels added to show the design in a position of use. The lift cords and tassels are shown in broken line in FIG. 9 and form no part of the claimed design.

1 Claim, 8 Drawing Sheets



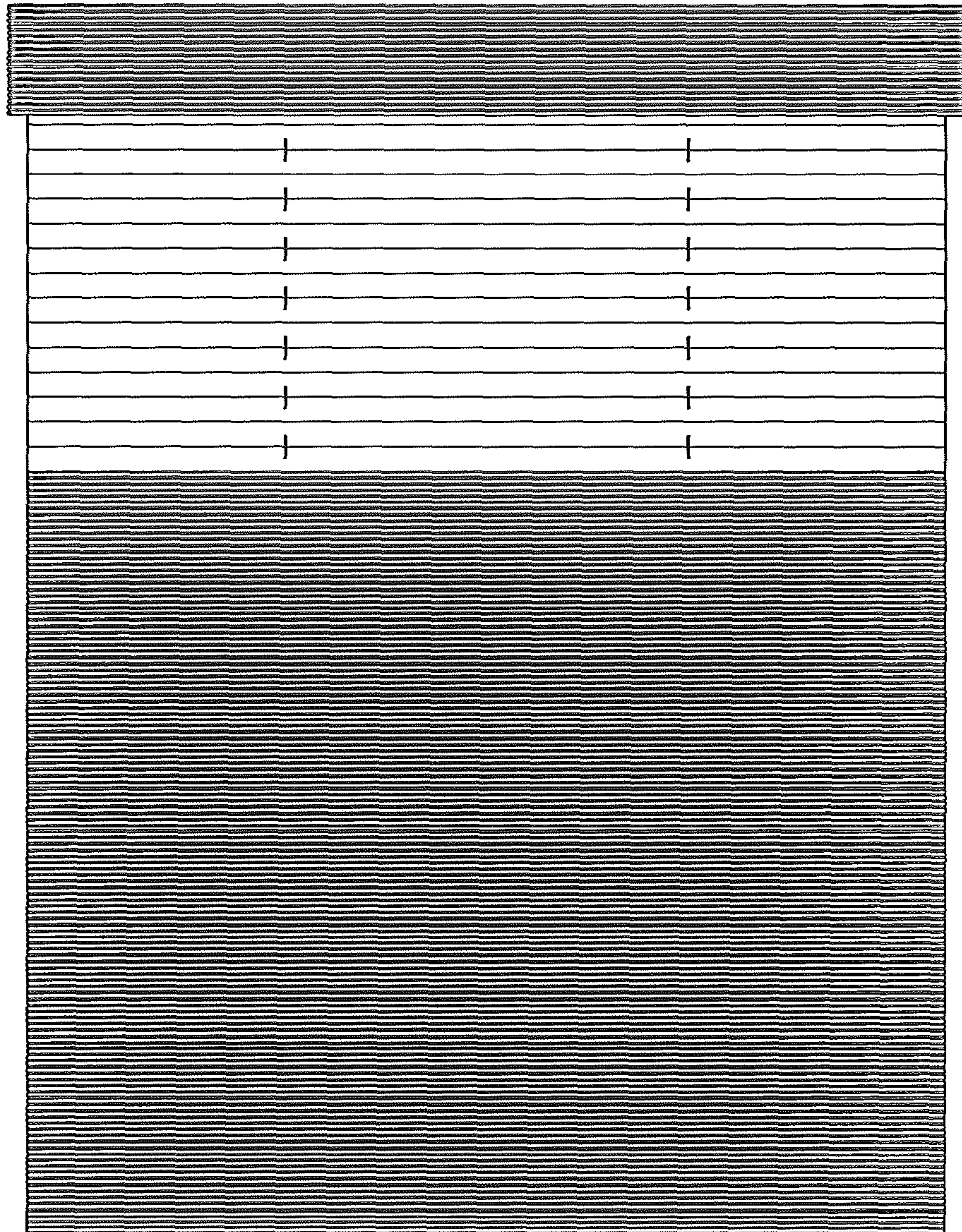


FIG. 1

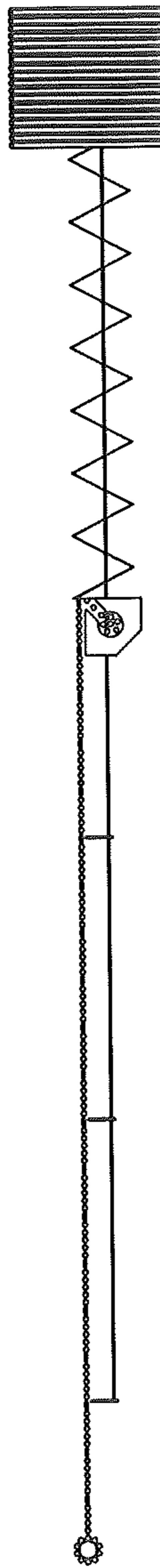


FIG. 2

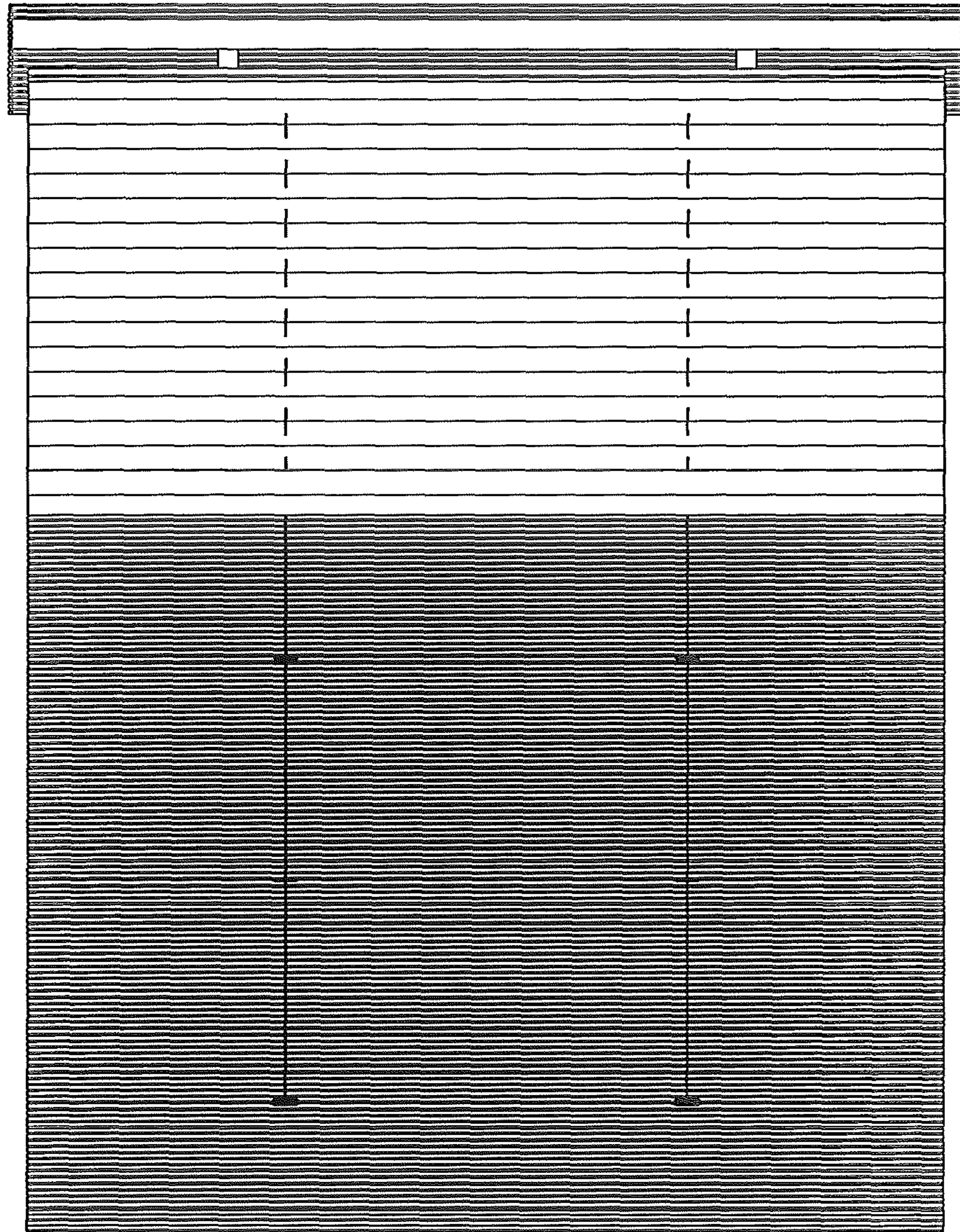


FIG. 3

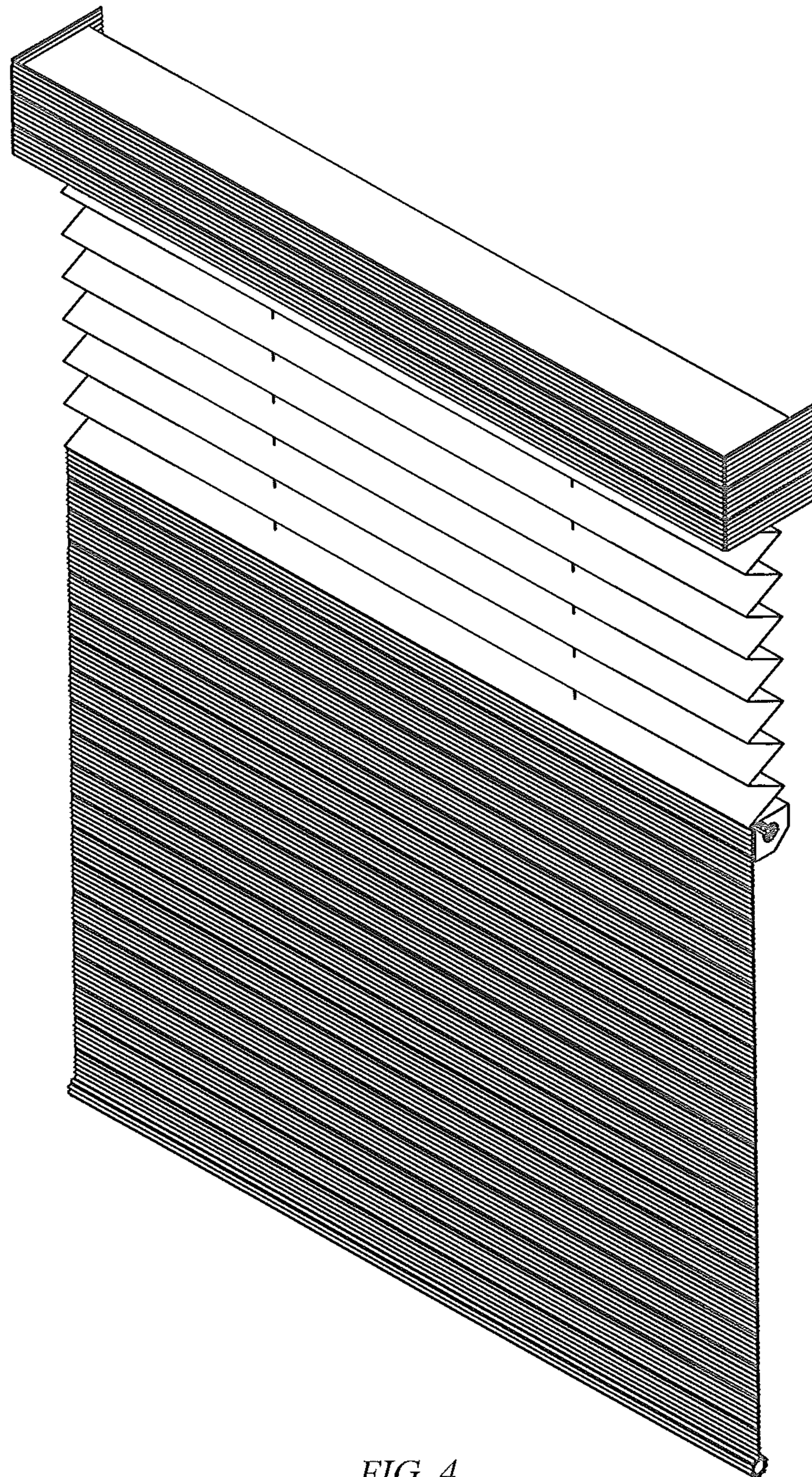


FIG. 4

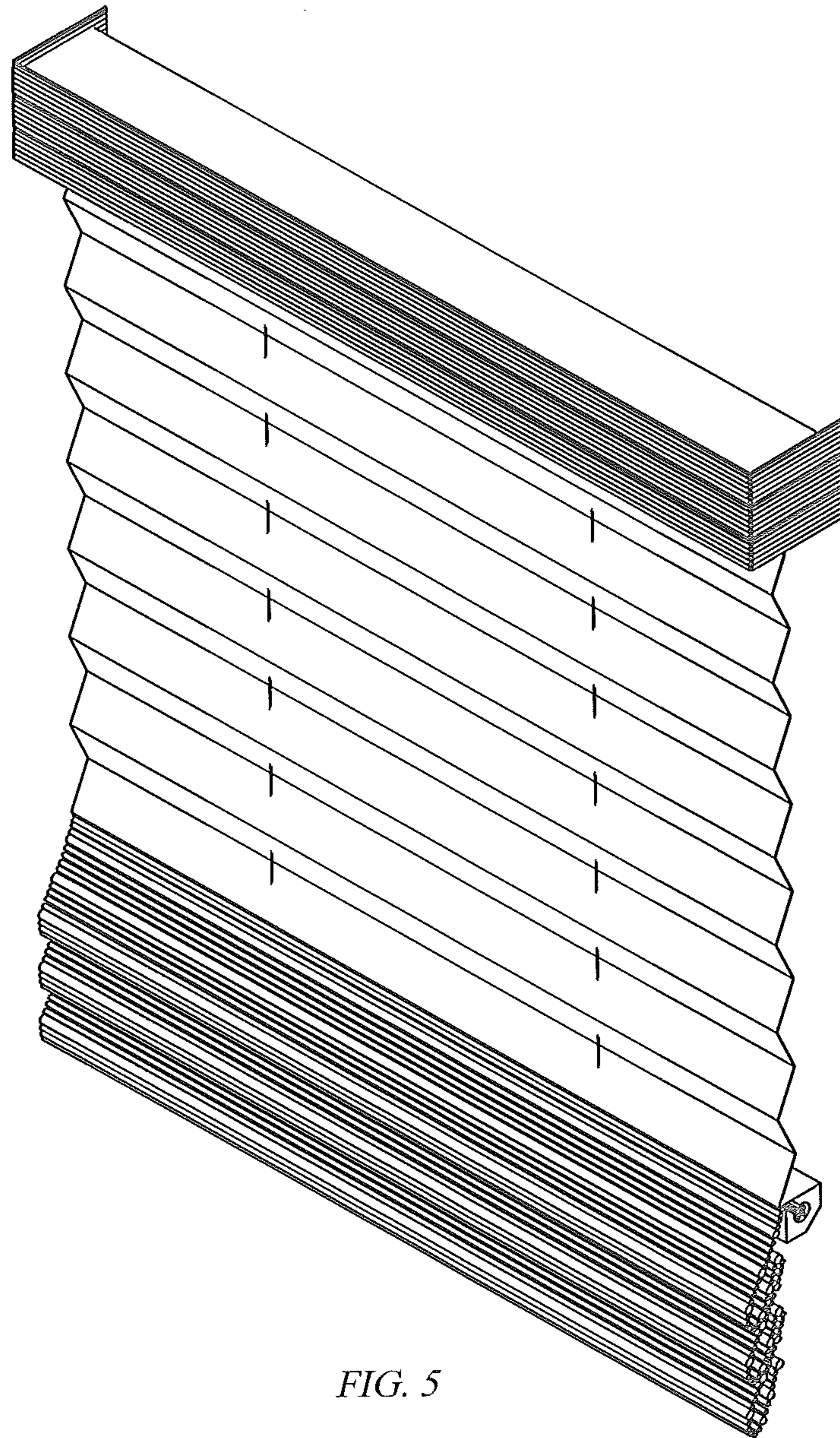


FIG. 5

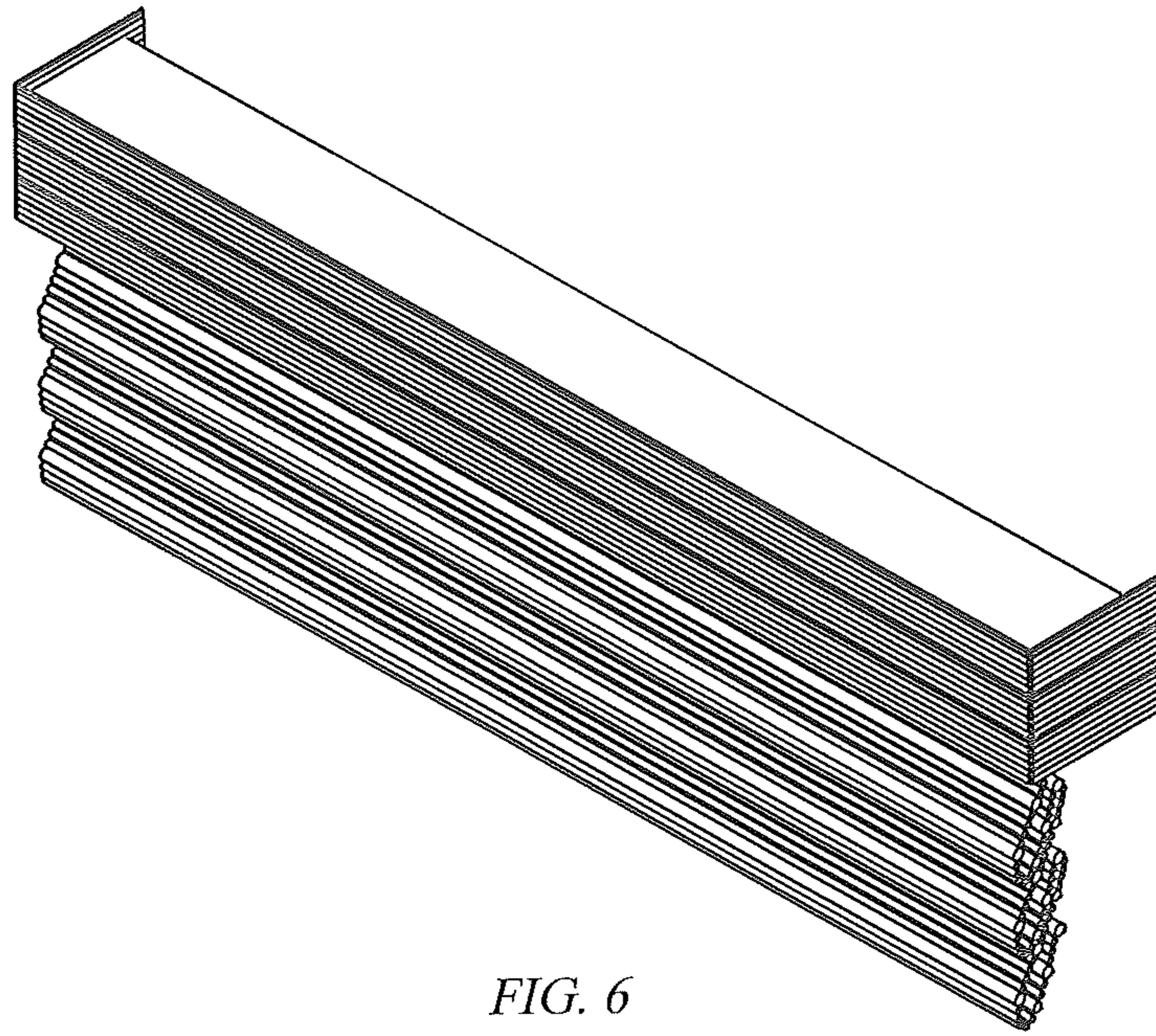


FIG. 6

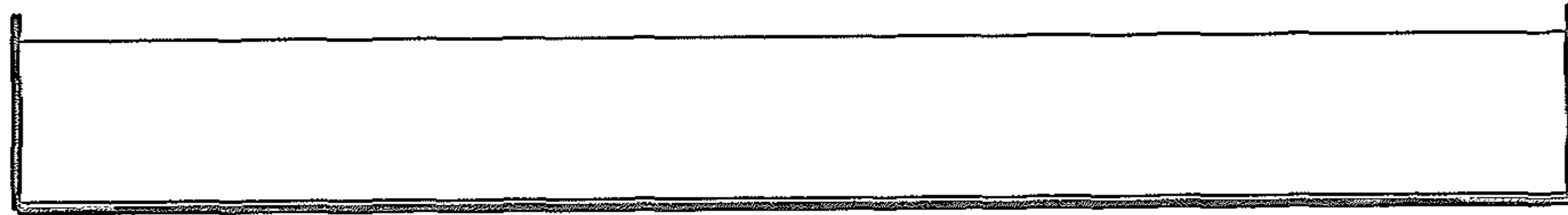


FIG. 7

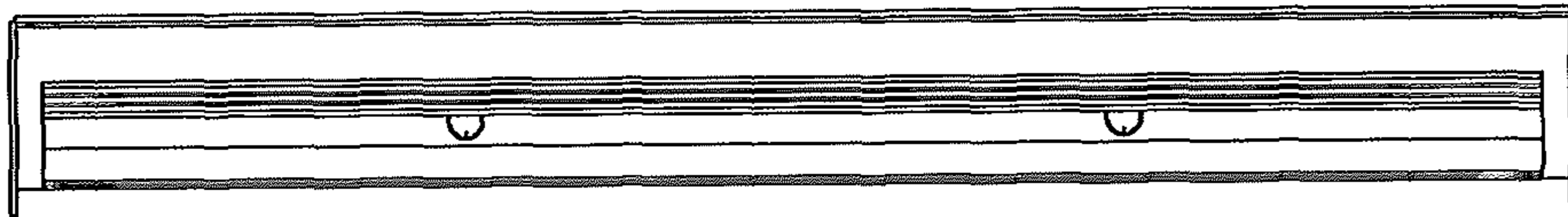


FIG. 8

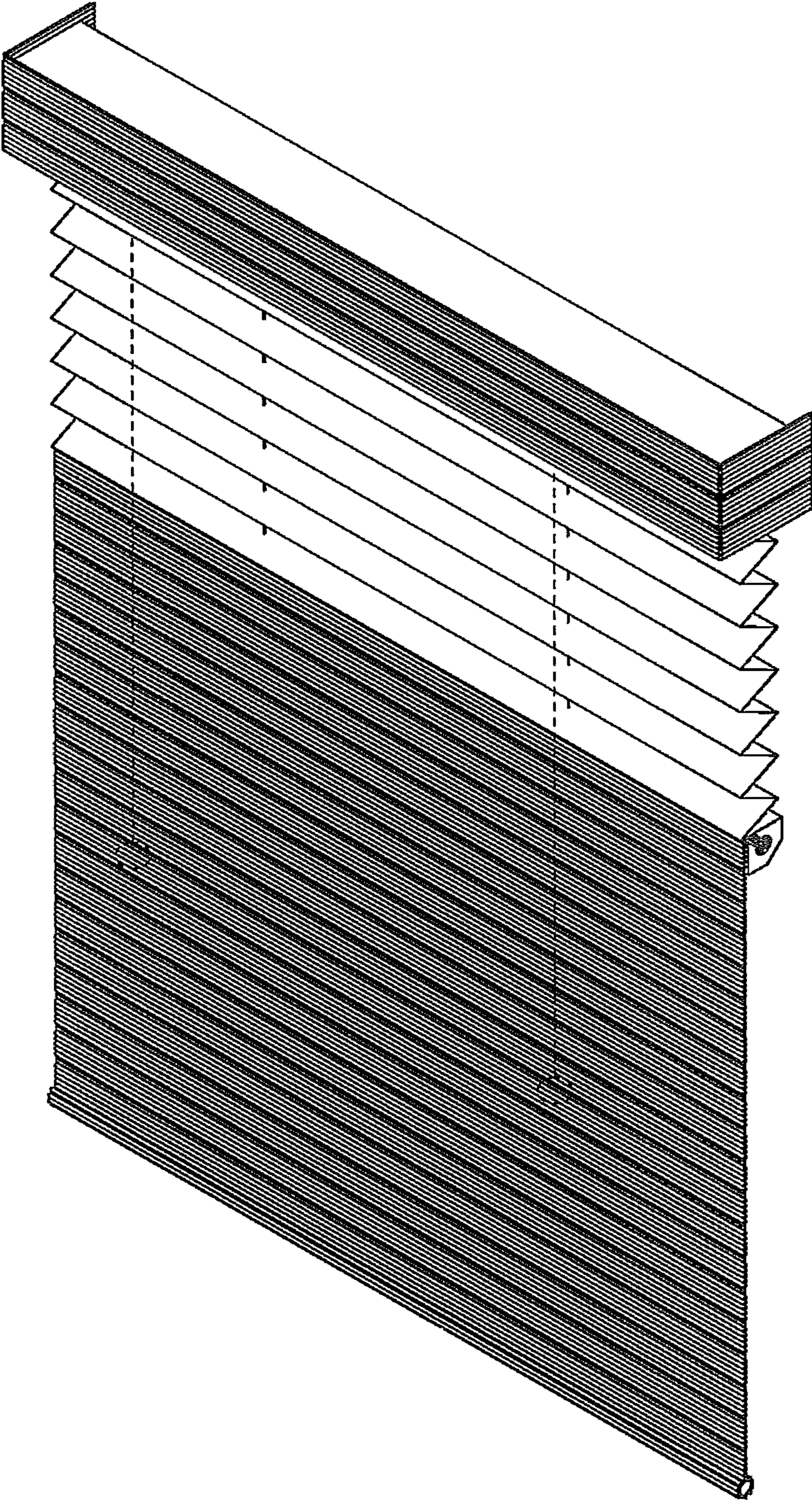


FIG. 9