

US00D693597S

(12) **United States Design Patent**  
**Yang et al.**

(10) **Patent No.:** **US D693,597 S**

(45) **Date of Patent:** **\*\* Nov. 19, 2013**

(54) **SOAP PUMP**

(75) Inventors: **Frank Yang**, Rancho Palos Verdes, CA (US); **Tzu-Hao Wei**, Hacienda Heights, CA (US); **Myk Lum**, Irvine, CA (US); **Adam Wade**, Rancho Santa Margarita, CA (US)

5,082,150 A 1/1992 Steiner et al.  
5,169,040 A 12/1992 Wiley  
5,186,360 A 2/1993 Mease et al.  
5,199,118 A 4/1993 Cole et al.  
5,271,528 A 12/1993 Chien  
5,305,916 A 4/1994 Suzuki et al.

(Continued)

(73) Assignee: **simplehuman, LLC**, Torrance, CA (US)

(\*\*) Term: **14 Years**

(21) Appl. No.: **29/415,437**

(22) Filed: **Mar. 9, 2012**

(51) **LOC (9) Cl.** ..... **23-02**

(52) **U.S. Cl.**  
USPC ..... **D6/542**

(58) **Field of Classification Search**  
USPC ..... D6/542-545; D9/682, 688, 690, 291,  
D9/448, 449; 221/282; 222/14, 173, 146.3,  
222/628, 251, 181.1, 181.3

See application file for complete search history.

(56) **References Cited**

**U.S. PATENT DOCUMENTS**

2,651,545 A 9/1953 Shotton  
2,697,446 A 12/1954 Harrington  
2,772,817 A 12/1956 Jauch  
3,023,922 A 3/1962 Arrington  
3,149,754 A 9/1964 Wolf et al.  
3,220,954 A 11/1965 Malbe  
4,046,289 A 9/1977 Teranishi  
4,056,050 A 11/1977 Brown  
4,217,993 A 8/1980 Jess et al.  
4,498,843 A 2/1985 Schneider et al.  
4,722,372 A 2/1988 Hoffman et al.  
4,915,347 A 4/1990 Iqbal et al.  
4,921,131 A 5/1990 Binderbauer et al.  
4,938,384 A 7/1990 Pilolla  
4,967,935 A 11/1990 Celest  
5,028,328 A 7/1991 Long

**FOREIGN PATENT DOCUMENTS**

CA 141847 4/2012  
CA 144016 4/2012

(Continued)

**OTHER PUBLICATIONS**

U.S. Appl. No. 29/357,570, filed Mar. 12, 2010, Yang et al.

(Continued)

*Primary Examiner* — Brian N Vinson

(74) *Attorney, Agent, or Firm* — Knobbe, Martens, Olson & Bear, LLP

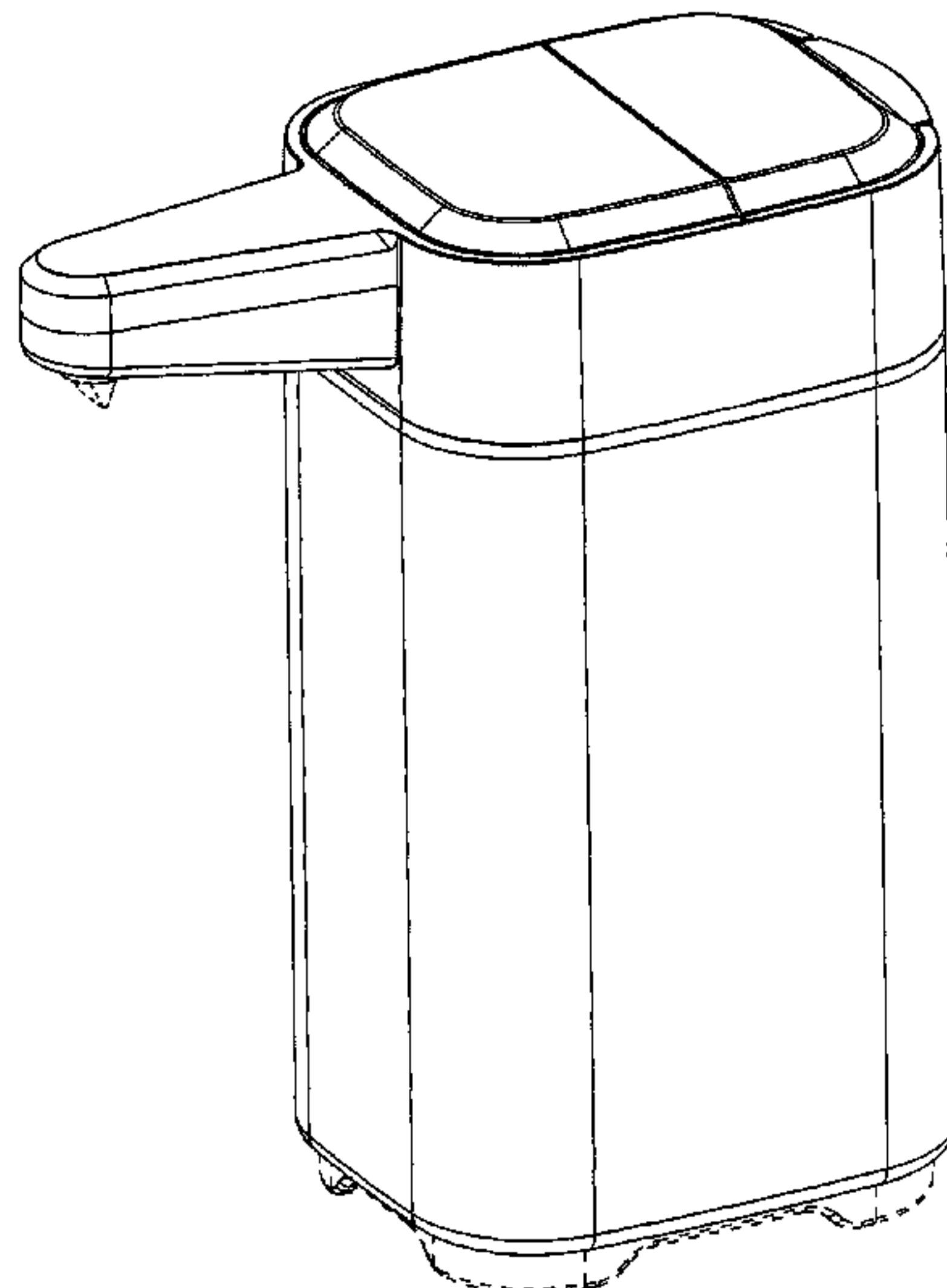
(57) **CLAIM**

The ornamental design for a soap pump, as shown and described herein.

**DESCRIPTION**

FIG. 1 is a top, front, left-side perspective view of a soap pump embodying our design;  
FIG. 2 is a front elevation view thereof;  
FIG. 3 is a rear elevation view thereof;  
FIG. 4 is a left-side elevation view thereof;  
FIG. 5 is a right-side elevation view thereof;  
FIG. 6 is a top plan view thereof; and,  
FIG. 7 is a bottom plan view thereof.  
The broken-line disclosure in the views is understood to represent portions of the article which form no part of the claimed design.

**1 Claim, 7 Drawing Sheets**



(56)

References Cited

U.S. PATENT DOCUMENTS

5,472,719 A 12/1995 Favre  
 5,477,984 A 12/1995 Sayama et al.  
 5,632,414 A 5/1997 Merriweather, Jr.  
 5,771,925 A 6/1998 Lewandowski  
 5,823,390 A 10/1998 Muderlak et al.  
 5,829,636 A 11/1998 Vuong et al.  
 5,836,482 A 11/1998 Ophardt et al.  
 5,960,991 A 10/1999 Ophardt  
 D416,154 S 11/1999 Diehl  
 5,988,451 A 11/1999 Hanna  
 6,021,705 A 2/2000 Dijis  
 6,021,960 A 2/2000 Kehat  
 6,036,056 A 3/2000 Lee et al.  
 D426,093 S 6/2000 Cayouette  
 D426,413 S 6/2000 Kreitemier et al.  
 6,126,290 A 10/2000 Veigel  
 D438,041 S 2/2001 Huang  
 6,209,752 B1 4/2001 Mitchell et al.  
 RE37,173 E 5/2001 Jefferson, Jr. et al.  
 6,279,460 B1 8/2001 Pope  
 6,279,777 B1 8/2001 Goodin et al.  
 6,311,868 B1 11/2001 Krietemeier et al.  
 6,375,038 B1 4/2002 Daansen et al.  
 6,443,328 B1 9/2002 Fehl et al.  
 6,444,956 B1 9/2002 Witcher et al.  
 6,557,584 B1 5/2003 Lucas et al.  
 6,594,105 B1 7/2003 Brittner  
 D483,974 S 12/2003 Reed  
 6,698,616 B2 3/2004 Hidle et al.  
 6,722,265 B2 4/2004 Priley  
 D490,262 S 5/2004 Graves et al.  
 6,748,850 B1 6/2004 Kraan  
 6,777,007 B2 8/2004 Cai  
 6,805,042 B2 10/2004 Mordini et al.  
 6,832,542 B2 12/2004 Hu et al.  
 6,892,899 B2 5/2005 Minard et al.  
 6,929,150 B2 8/2005 Muderlak et al.  
 7,008,073 B2 3/2006 Stuhlmacher, II  
 D530,954 S 10/2006 Snell  
 D531,440 S 11/2006 Lo  
 D534,753 S 1/2007 Christianson  
 7,178,746 B2 2/2007 Gross  
 D554,412 S 11/2007 Yang et al.  
 7,296,765 B2 11/2007 Rodrian  
 D564,273 S 3/2008 Yang et al.  
 7,337,635 B2 3/2008 Cerruti et al.  
 D565,878 S 4/2008 Krus  
 7,354,015 B2 4/2008 Byrd et al.  
 D581,193 S 11/2008 Ghiorghie  
 D582,187 S 12/2008 Yang et al.

D593,784 S 6/2009 Chan  
 7,540,397 B2 6/2009 Muderlak et al.  
 D608,578 S 1/2010 Yang et al.  
 8,087,543 B2 1/2012 Yang et al.  
 8,096,445 B2 1/2012 Yang et al.  
 8,109,411 B2 2/2012 Yang et al.  
 D659,452 S \* 5/2012 Yang et al. .... D6/542  
 D659,454 S \* 5/2012 Fritz et al. .... D6/542  
 D661,531 S \* 6/2012 Tompkin .... D6/542  
 D663,983 S \* 7/2012 Yang et al. .... D6/542  
 D674,636 S \* 1/2013 Yang et al. .... D6/542  
 2002/0179643 A1 12/2002 Knight et al.  
 2004/0032749 A1 2/2004 Schindler et al.  
 2004/0050875 A1 3/2004 Kobayashi  
 2004/0103792 A1 6/2004 Cirigliano et al.  
 2004/0134924 A1 7/2004 Hansen et al.  
 2004/0226962 A1 11/2004 Mazursky et al.  
 2005/0139612 A1 6/2005 Matthews et al.  
 2006/0067546 A1 3/2006 Lewis et al.  
 2006/0173576 A1 8/2006 Goerg et al.  
 2006/0243740 A1 11/2006 Reynolds et al.  
 2007/0000941 A1 1/2007 Hadden et al.  
 2007/0138208 A1 6/2007 Scholz et al.  
 2007/0158359 A1 7/2007 Rodrian  
 2008/0185396 A1 8/2008 Yang et al.  
 2008/0185398 A1 8/2008 Yang et al.  
 2008/0185399 A1 8/2008 Yang et al.  
 2008/0277421 A1 11/2008 Zlatic et al.  
 2009/0026225 A1 1/2009 Lickstein  
 2009/0140004 A1 6/2009 Scorgie  
 2010/0282772 A1 11/2010 Ionidis  
 2011/0114669 A1 5/2011 Yang et al.  
 2012/0248150 A1 10/2012 Yang et al.

FOREIGN PATENT DOCUMENTS

EP 455431 11/1991  
 JP D1117308 6/2001  
 JP D1266683 2/2006  
 KR 3002845520000 11/2001  
 WO WO 2008/095187 8/2008  
 WO WO 2012/122056 A1 9/2012

OTHER PUBLICATIONS

U.S. Appl. No. 29/386,854, filed Mar. 4, 2011, Yang et al.  
 U.S. Appl. No. 29/410,517, filed Jan. 9, 2012, Yang et al.  
 U.S. Appl. No. 29/415,443, filed Mar. 9, 2012, Yang et al.  
 The Sharper Image, Soap Genie™ SI335 Instructions, 8 pages, ©  
 2005, 2006.  
 U.S. Appl. No. 13/759,885, filed Feb. 5, 2013, Yang et al.  
 U.S. Appl. No. 29/447,095, filed Feb. 28, 2013, Yang et al.

\* cited by examiner

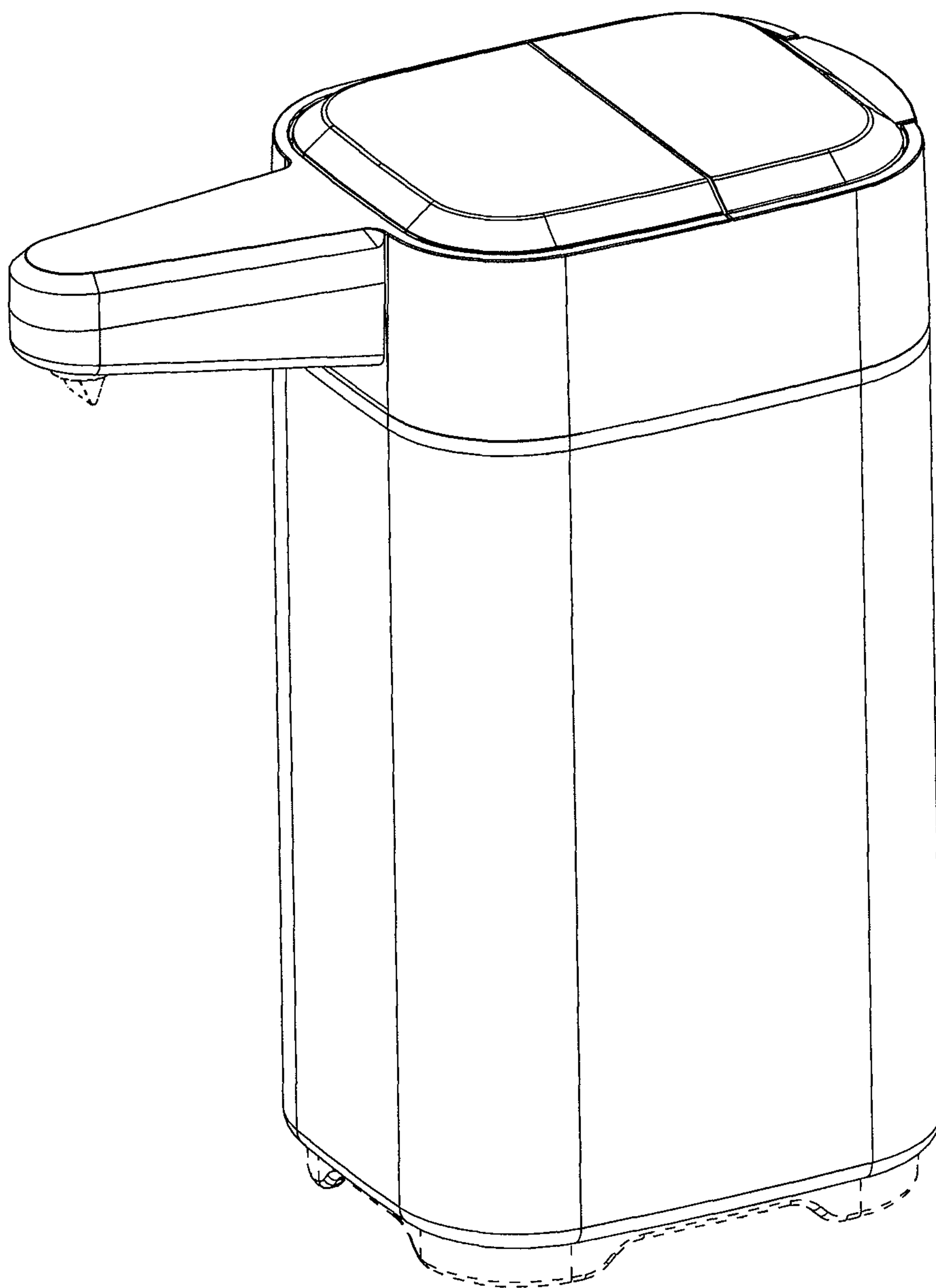


FIG. 1

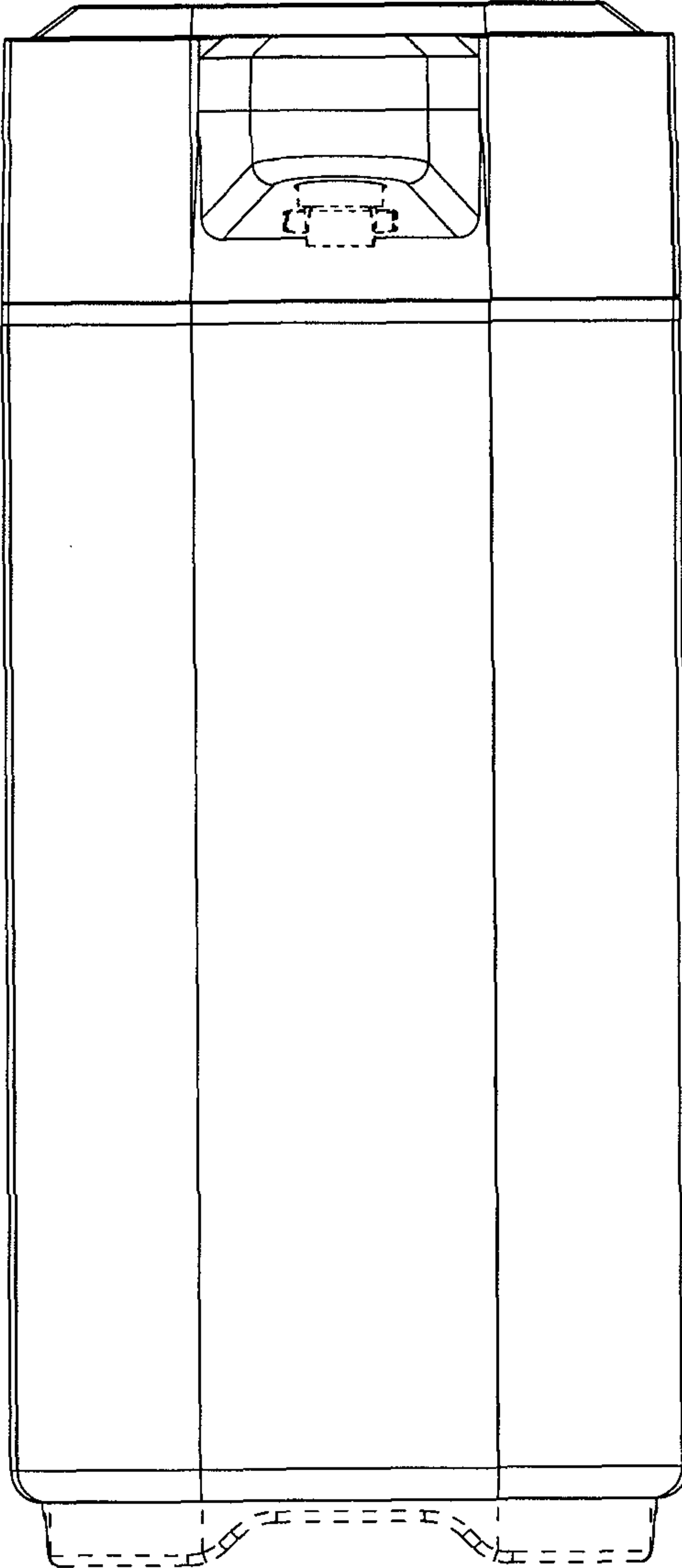


FIG. 2

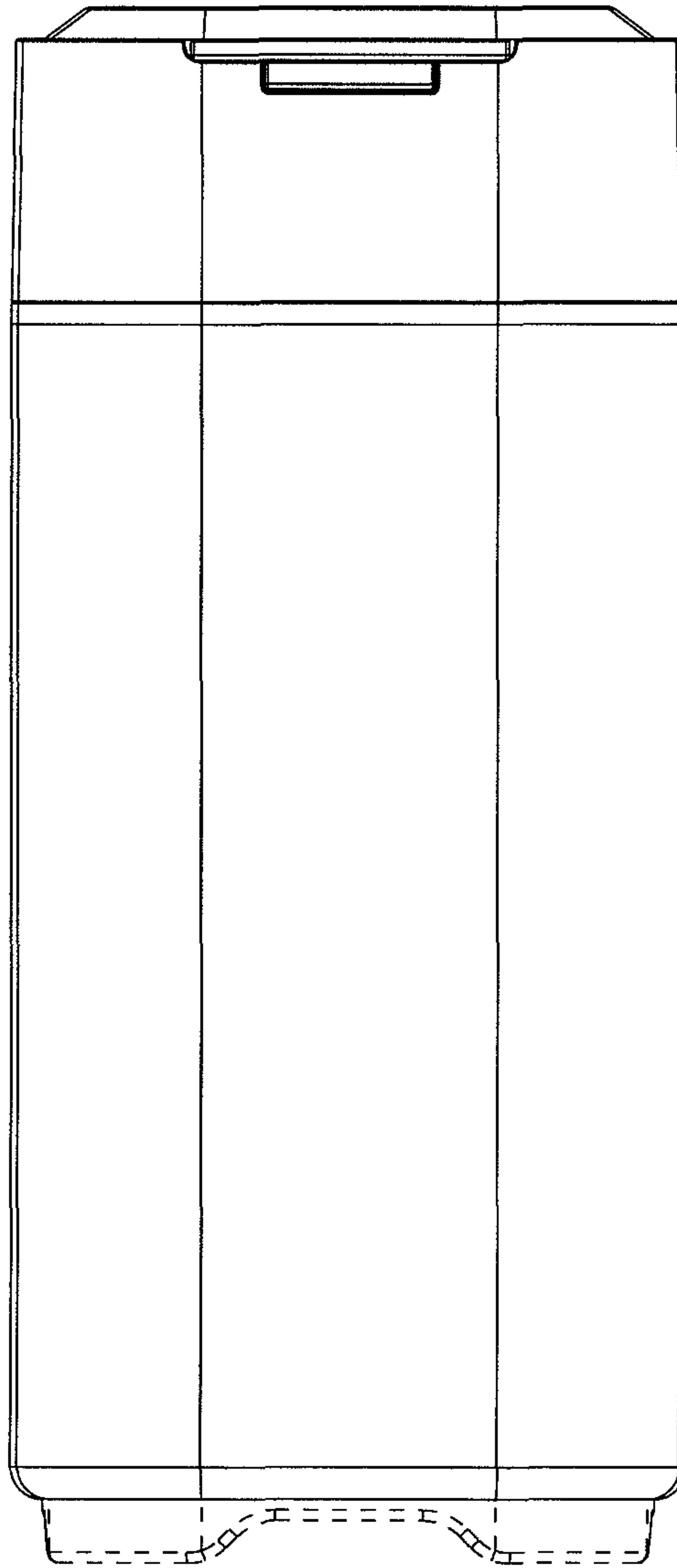


FIG. 3



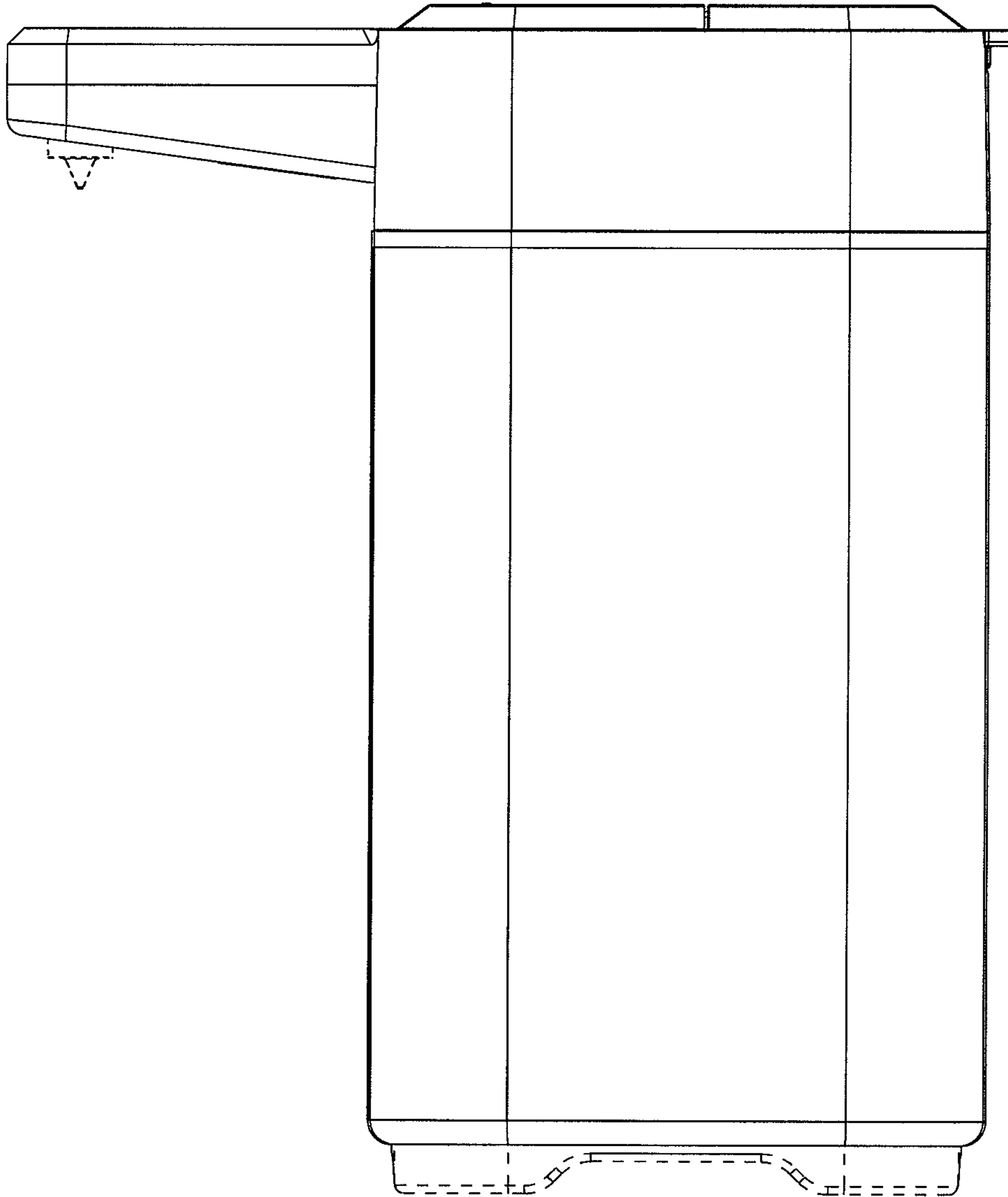


FIG. 4

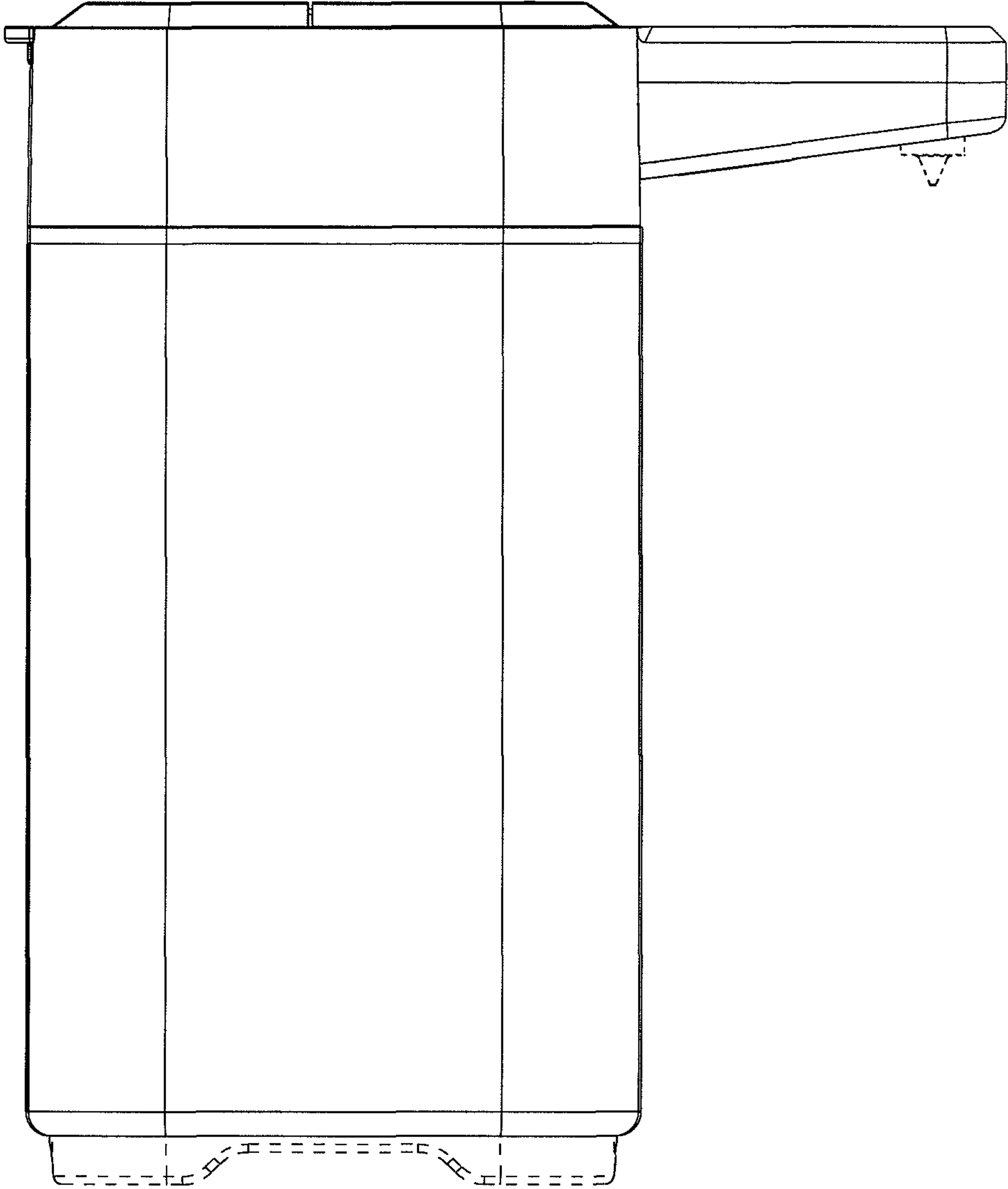


FIG. 5

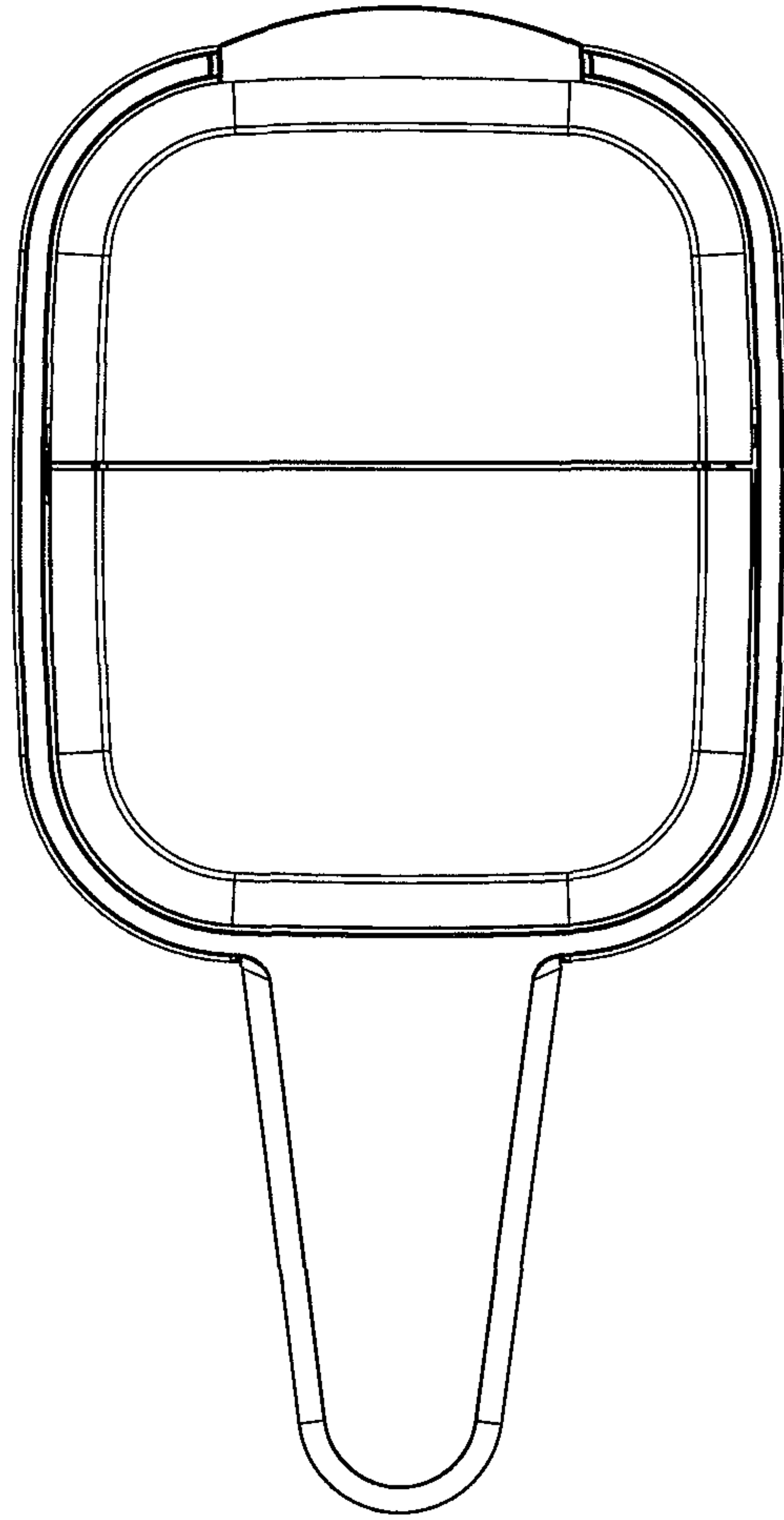


FIG. 6



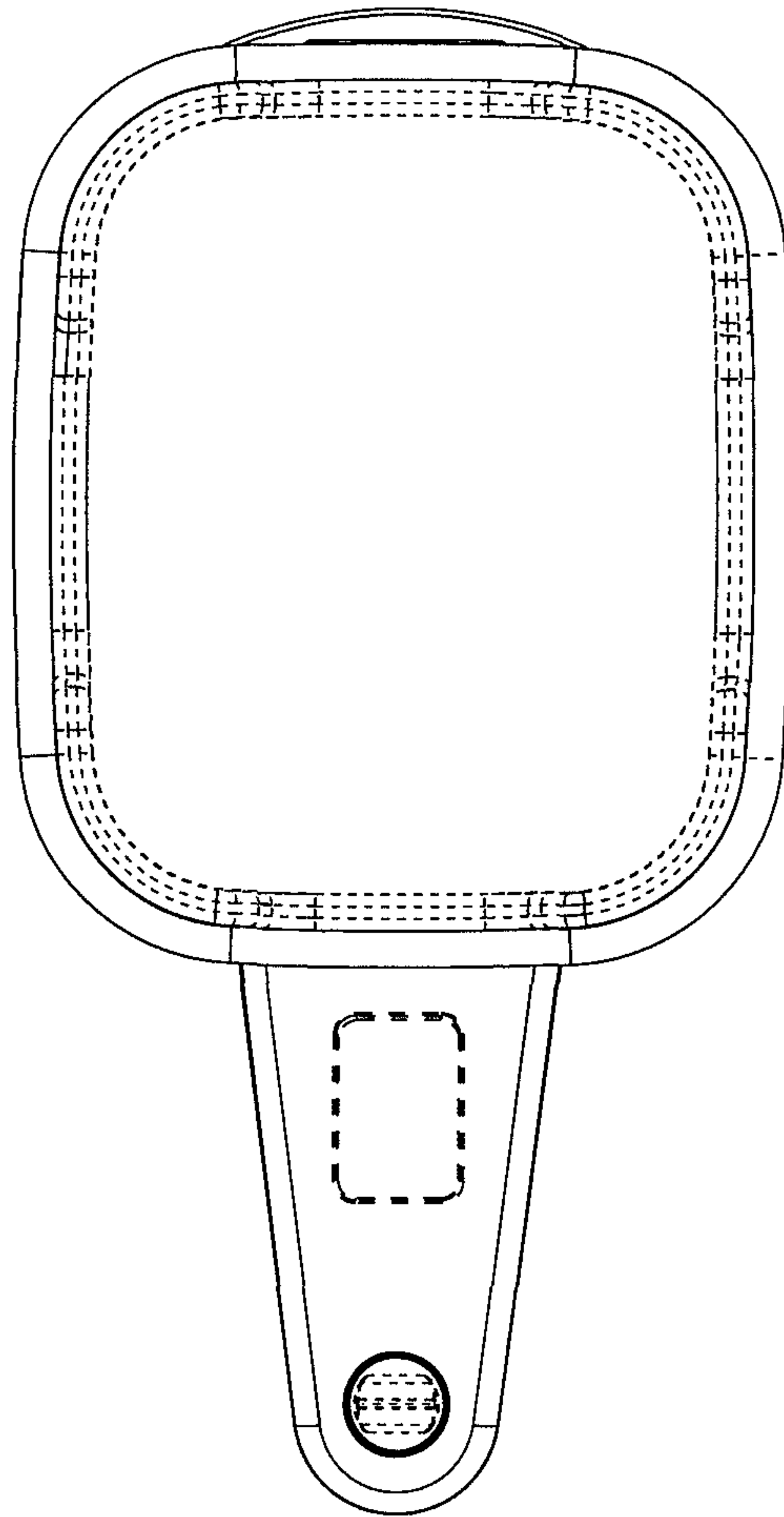


FIG. 7