



US00D693596S

(12) **United States Design Patent**
Zeng

(10) **Patent No.:** **US D693,596 S**

(45) **Date of Patent:** **** Nov. 19, 2013**

(54) **BATH ACCESSORY**

(76) Inventor: **Liang Zeng**, Xiamen (CN)

(**) Term: **14 Years**

(21) Appl. No.: **29/416,488**

(22) Filed: **Mar. 22, 2012**

(51) **LOC (9) Cl.** **23-02**

(52) **U.S. Cl.**
USPC **D6/524; D6/550**

(58) **Field of Classification Search**
USPC D6/518-524, 546-550; D8/300, 370,
D8/315; 108/28-29; 211/13.1, 16, 85.5,
211/86.01, 87.01, 88.04, 100, 105.1, 105.2,
211/106, 113, 123, 181.1, 182-183;
248/49, 175, 176.1, 200, 201, 205.1,
248/251, 302, 309.1, 315; 242/570, 590,
242/595-598

See application file for complete search history.

(56) **References Cited**

U.S. PATENT DOCUMENTS

D493,315 S *	7/2004	Gilbert	D6/524
D606,790 S *	12/2009	Yoo	D6/524
D609,515 S *	2/2010	Krumpe	D6/550
D666,039 S *	8/2012	Sedwick	D6/524

* cited by examiner

Primary Examiner — Brian N Vinson

(74) *Attorney, Agent, or Firm* — Jen-Feng Lee, Esq.

(57) **CLAIM**

The ornamental design for a bath accessory, as shown and described.

DESCRIPTION

FIG. 1 is a top, front, and right side perspective view of a bath accessory showing my new design;
FIG. 2 is a right side elevational view thereof, the left side, top and bottom being identical in appearance to that shown;
FIG. 3 is a front elevational view thereof; and,
FIG. 4 is a rear elevational view thereof, the broken lines being understood to show portions of the article which form no part of the claimed design.

1 Claim, 4 Drawing Sheets

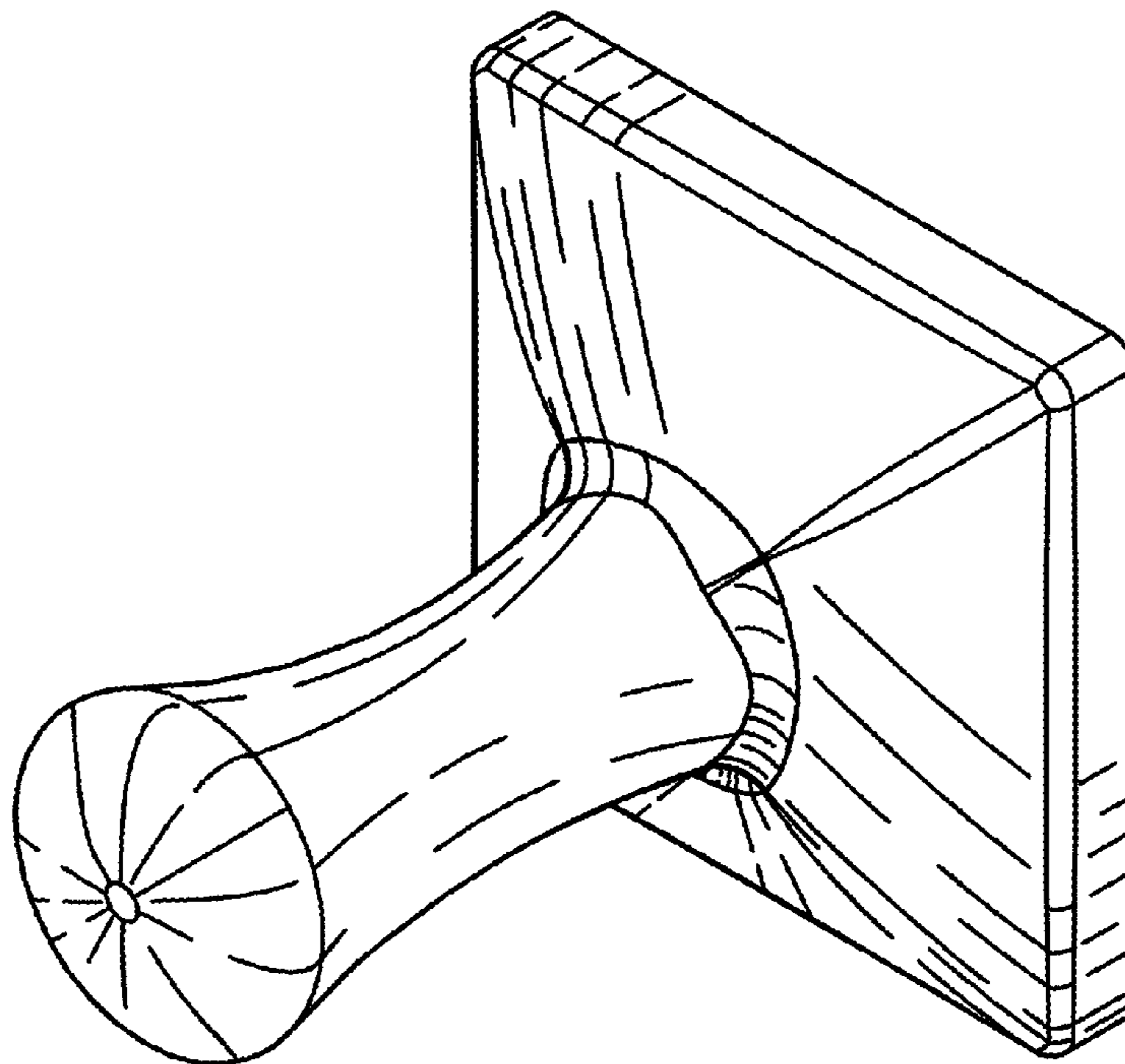


FIG 1

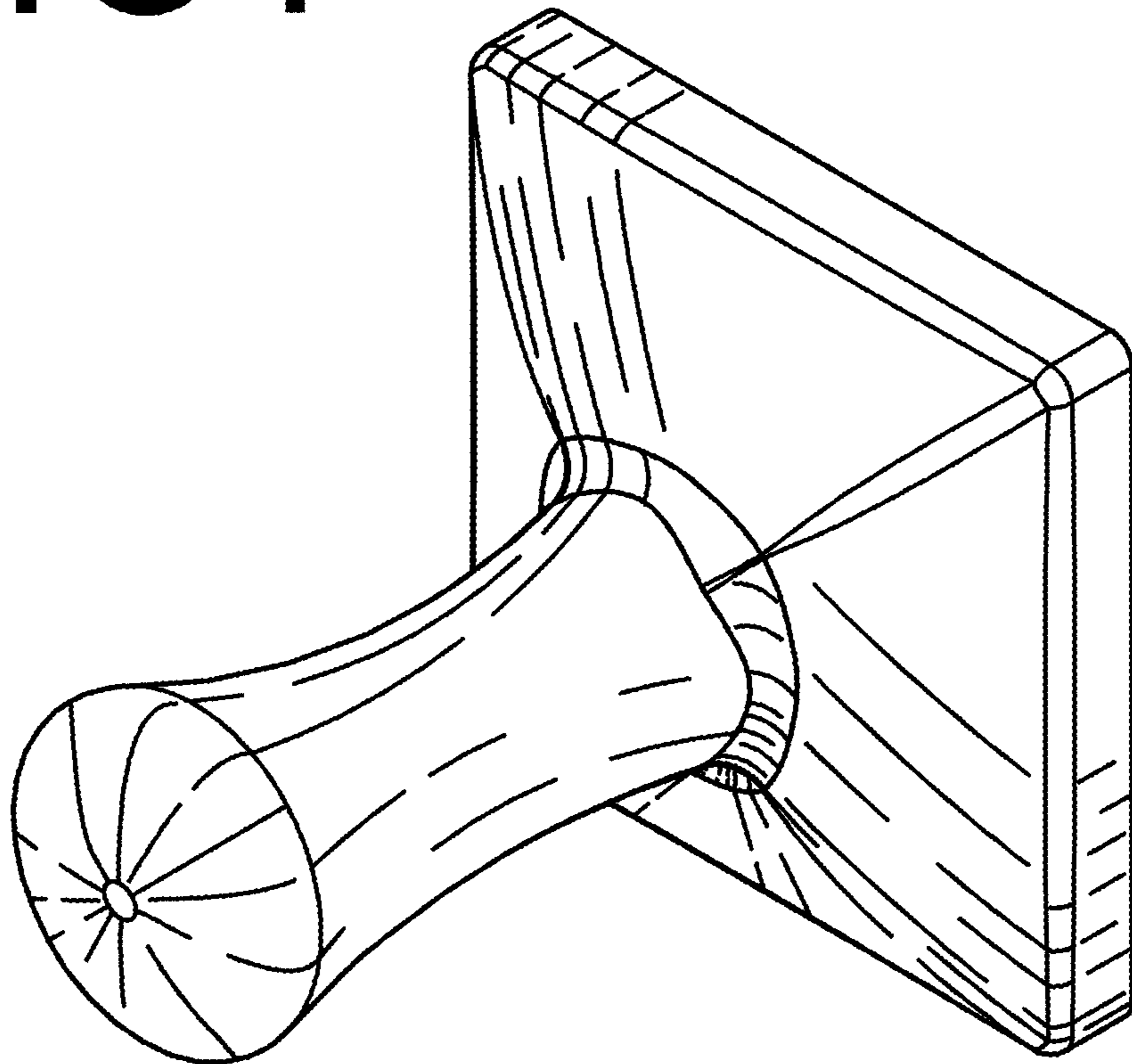


FIG 2

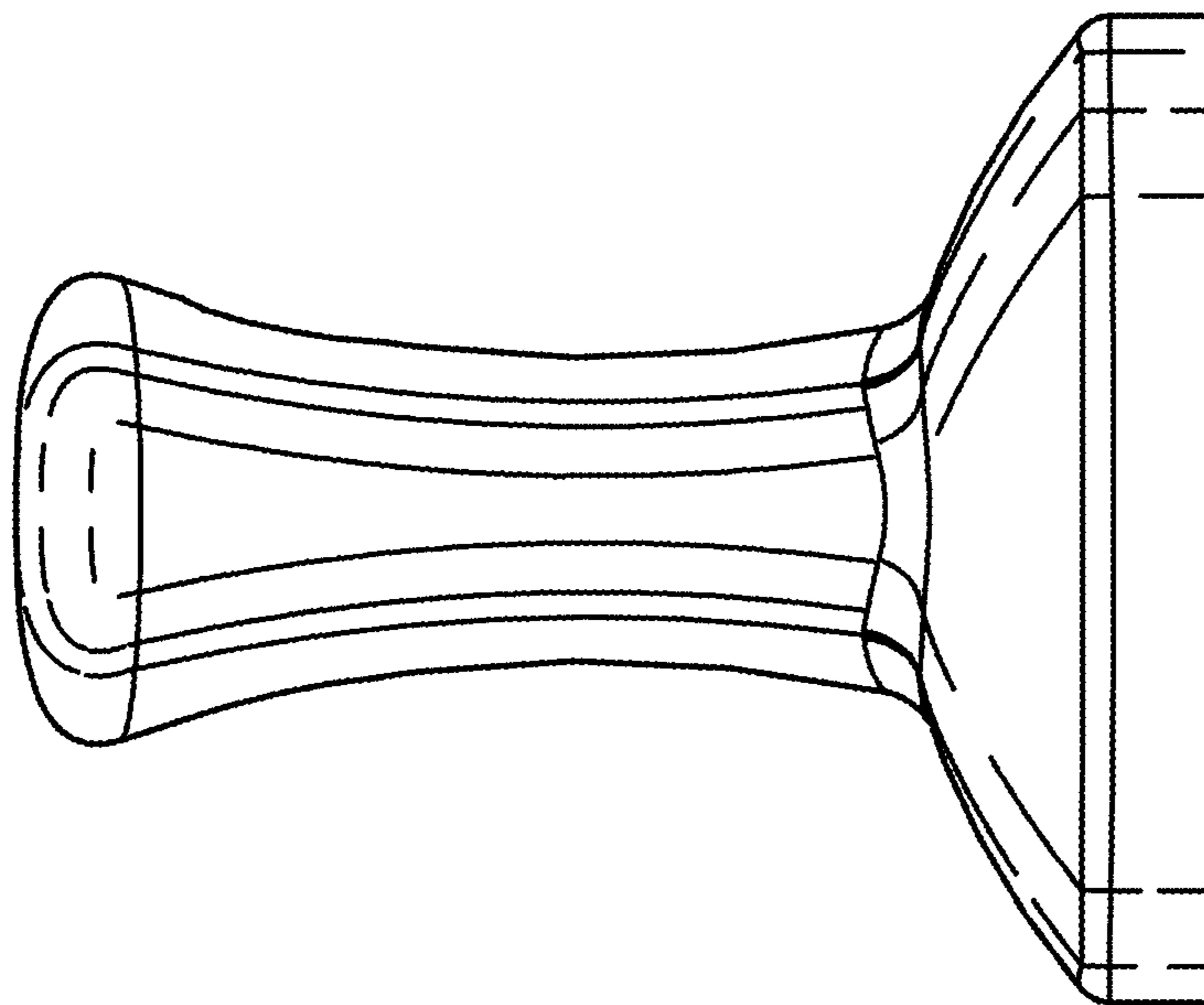


FIG 3

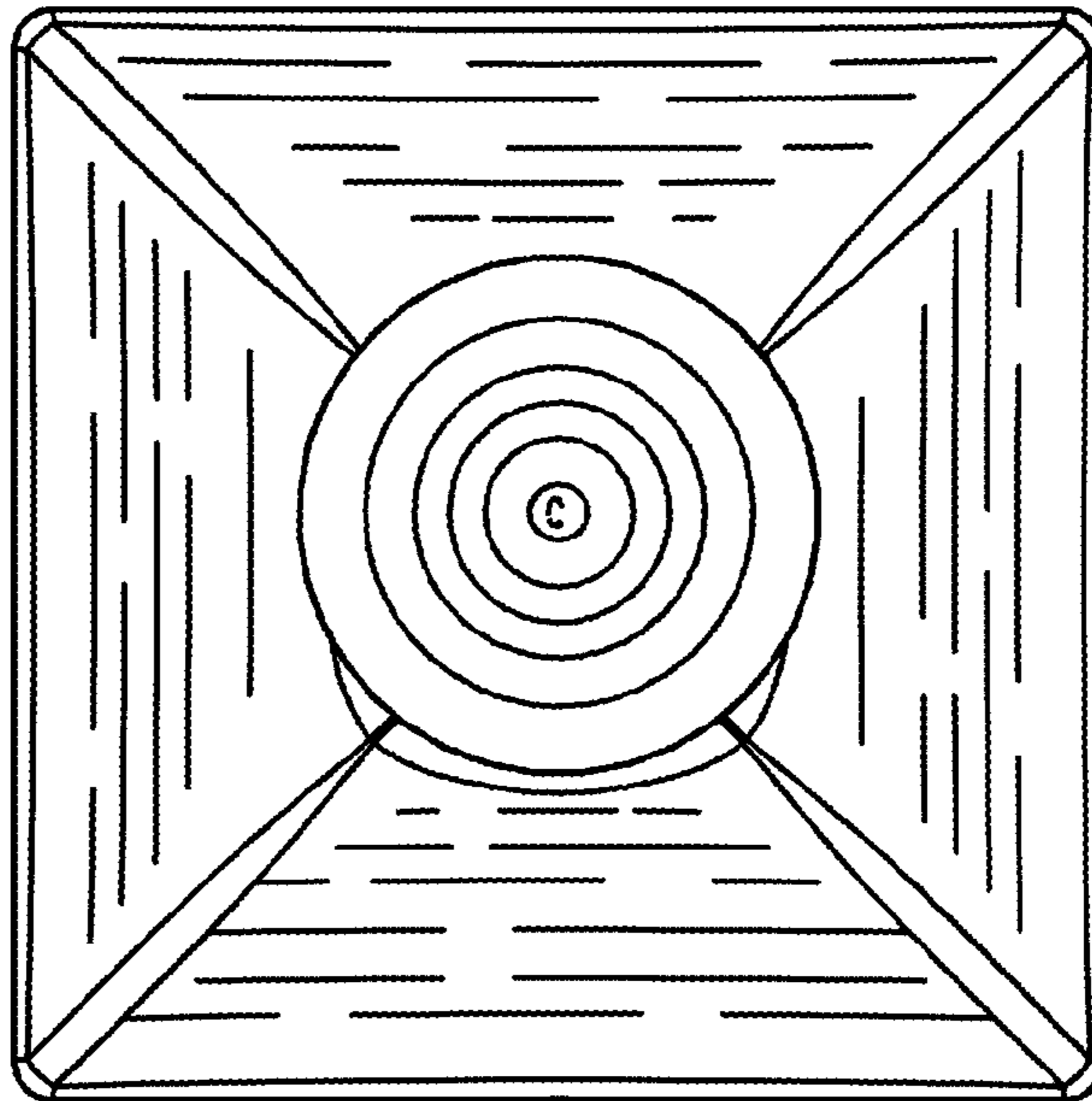


FIG4

