



US00D693595S

(12) **United States Design Patent**
Pierre-Pipkin

(10) **Patent No.:** **US D693,595 S**

(45) **Date of Patent:** **** Nov. 19, 2013**

(54) **REMOTE ACCESSORY RACK**

(75) **Inventor:** **E. Jean Pierre-Pipkin**, Beaumont, TX
(US)

(73) **Assignee:** **E. Jean Pierre-Pipkin**, Beaumont, TX
(US)

(**) **Term:** **14 Years**

(21) **Appl. No.:** **29/420,443**

(22) **Filed:** **May 9, 2012**

(51) **LOC (9) Cl.** **06-06**

(52) **U.S. Cl.**
USPC **D6/513**

(58) **Field of Classification Search**
USPC D3/304, 306, 303, 201; 206/202, 513,
206/557; 211/13.1, 41.3, 41.4, 86.01,
211/88.01, 134, 126.1, 181.1; 248/302;
220/485, 488; D6/513, 553, 567, 525
See application file for complete search history.

(56) **References Cited**

U.S. PATENT DOCUMENTS

D324,810	S	*	3/1992	Moye, Sr.	D6/514
D333,580	S	*	3/1993	Brummett	D6/513
D346,085	S	*	4/1994	Wagner	D6/513
D358,731	S	*	5/1995	McAlear	D6/513
D363,627	S	*	10/1995	North	D6/513
D364,520	S	*	11/1995	Matthews	D6/514
D377,876	S	*	2/1997	Hatala et al.	D6/513
D625,128	S	*	10/2010	Ciauri-Sasner	D6/514
D636,997	S	*	5/2011	DeVoe	D3/303
D639,092	S	*	6/2011	Lundy	D6/513
D666,441	S	*	9/2012	Kinskey et al.	D6/514

* cited by examiner

Primary Examiner — Brian N Vinson

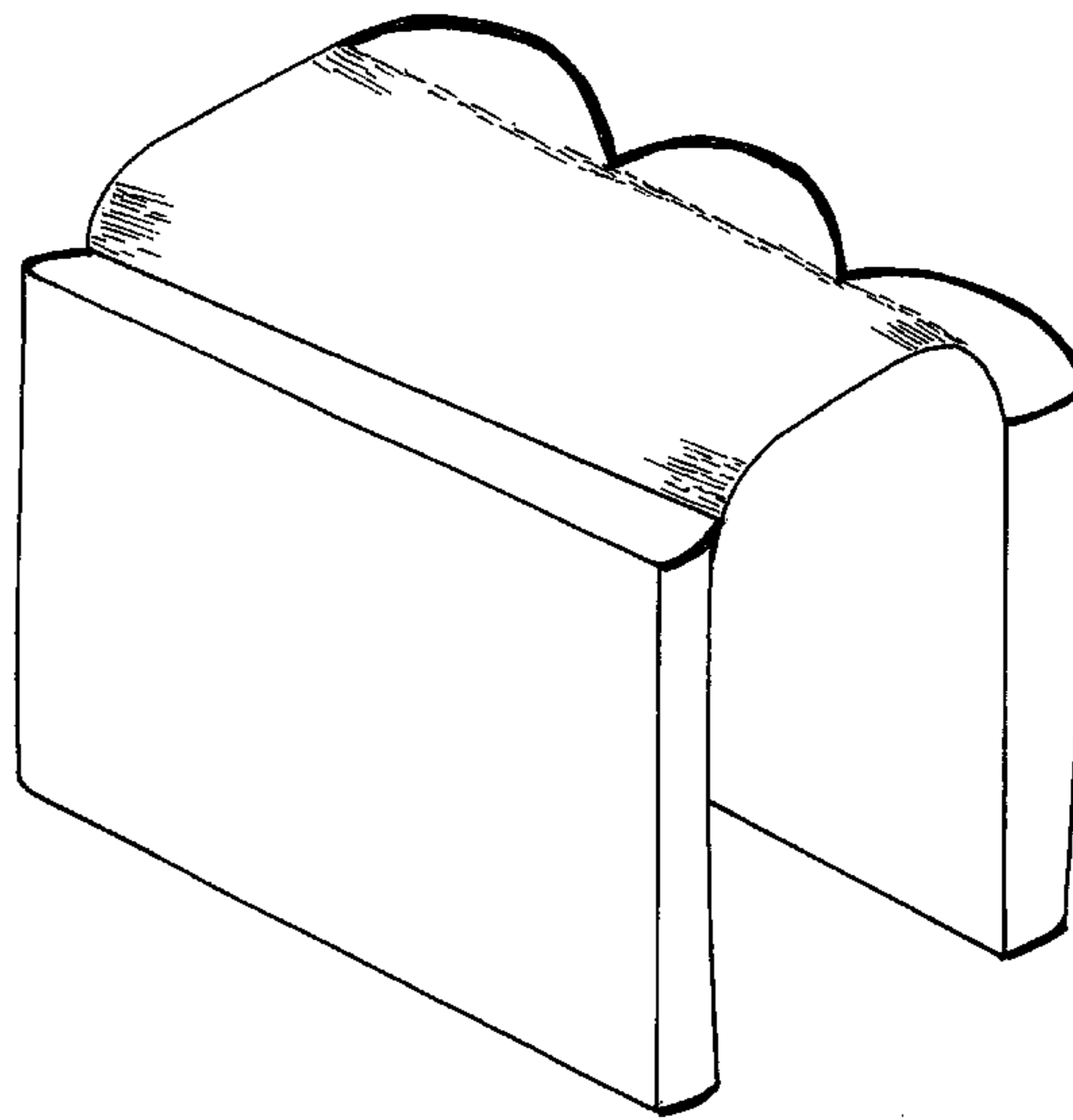
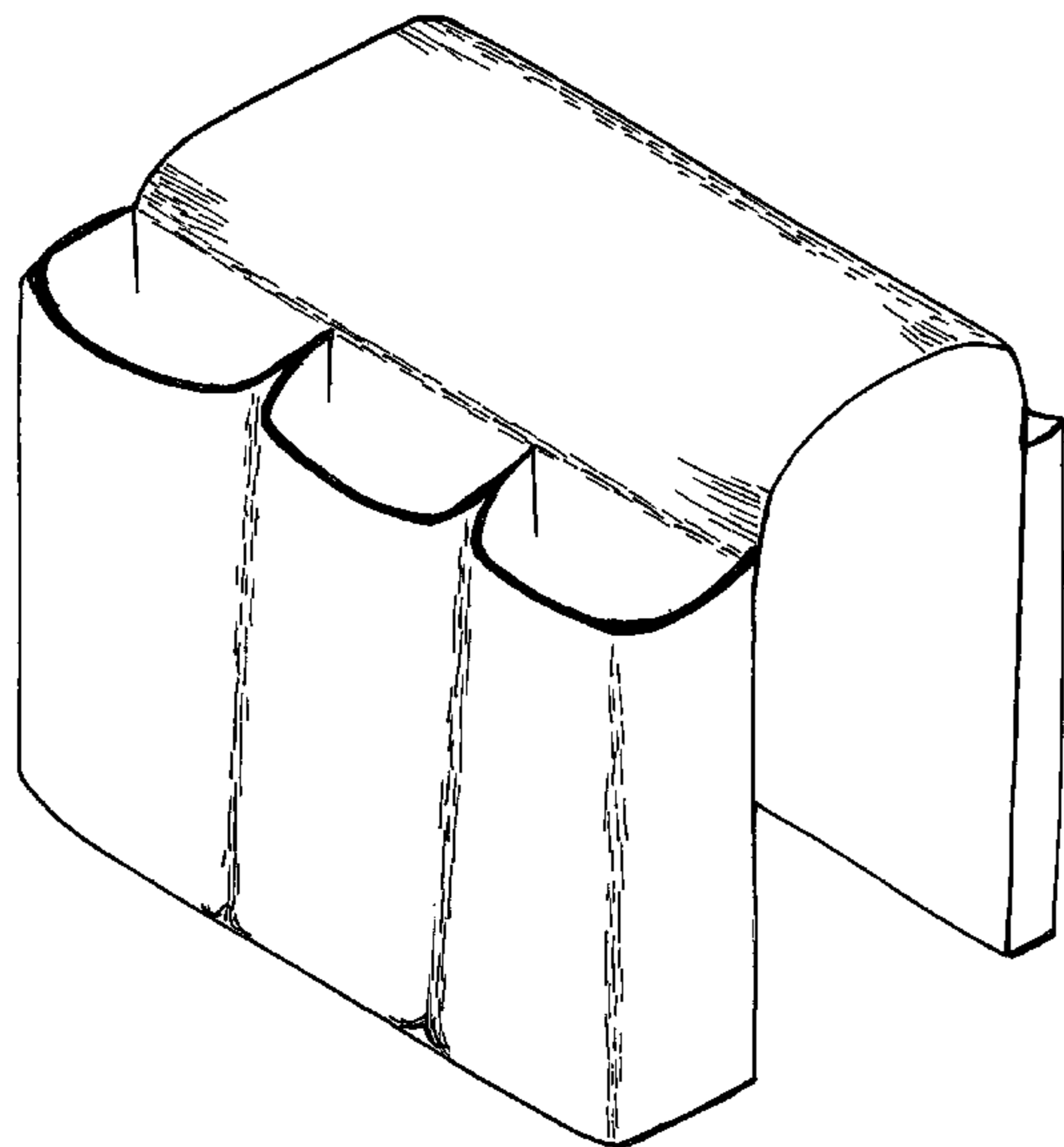
(57) **CLAIM**

I claim the ornamental design for a remote accessory rack, as shown and described.

DESCRIPTION

FIG. 1 is a top, front, and right side perspective view of a remote accessory rack showing my new design; and, FIG. 2 is a top, rear, and left side perspective view thereof.

1 Claim, 2 Drawing Sheets



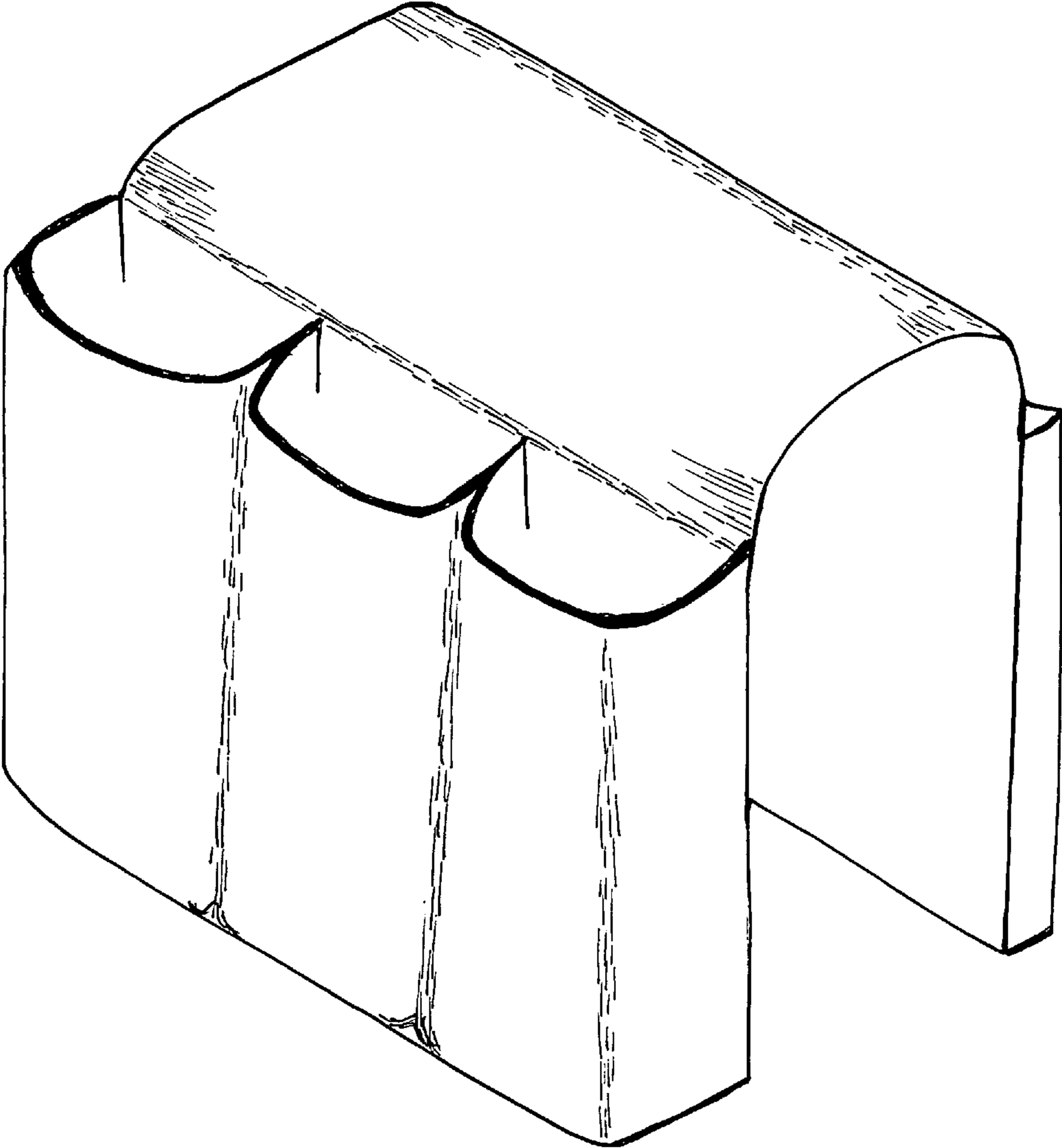


Fig. 1

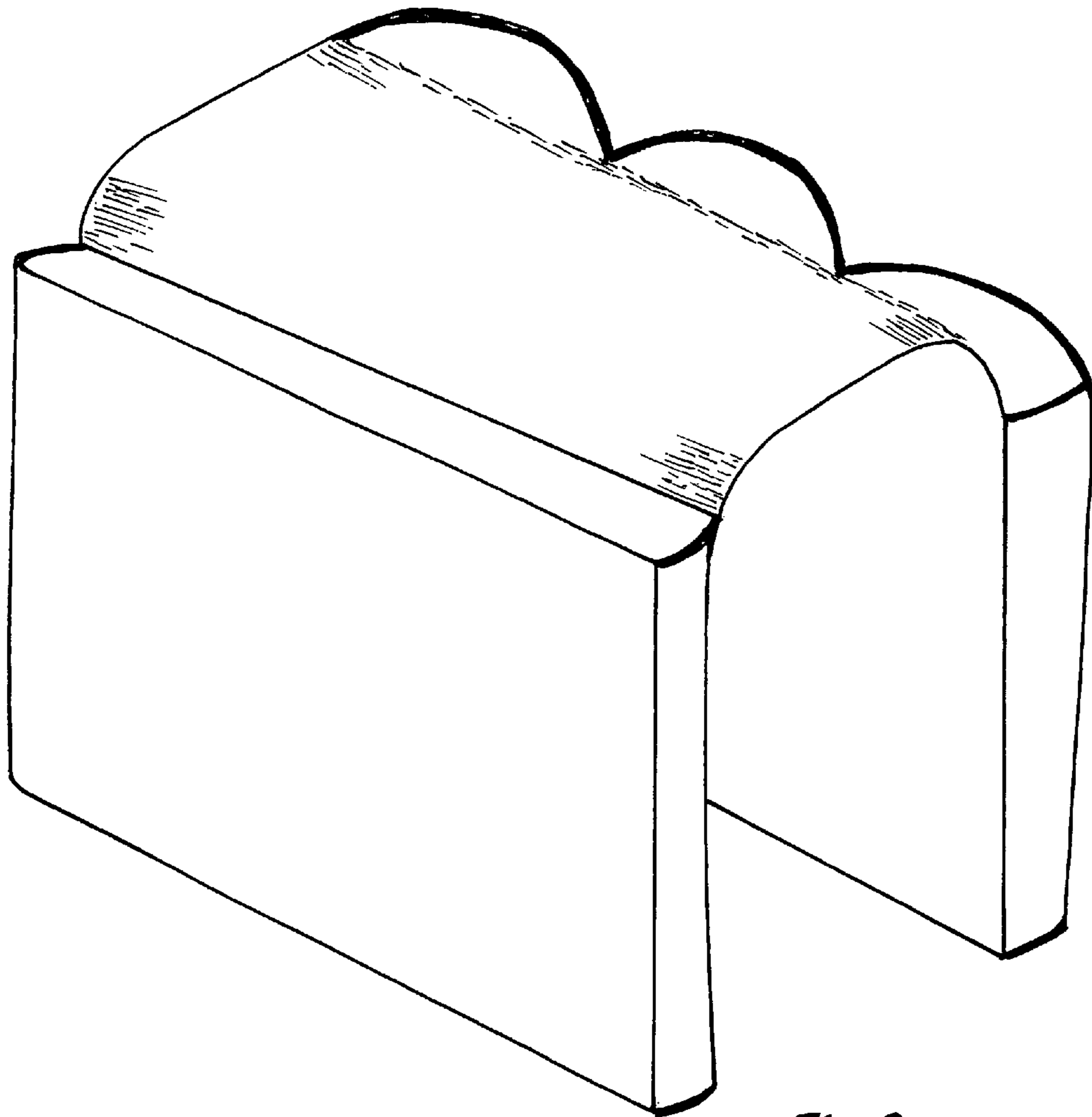


Fig. 2