

US00D693594S

(12) **United States Design Patent**
Kuzyk

(10) **Patent No.:** **US D693,594 S**
(45) **Date of Patent:** **** Nov. 19, 2013**

- (54) **PANEL**
- (75) **Inventor:** **Andrew William Kuzyk**, Toronto (CA)
- (73) **Assignee:** **Entro Inc.**, Toronto, Ontario (CA)
- (**) **Term:** **14 Years**
- (21) **Appl. No.:** **29/426,114**
- (22) **Filed:** **Jun. 29, 2012**

- D279,449 S 7/1985 Finger, Jr.
- 4,589,557 A 5/1986 Bollmann
- 4,653,209 A 3/1987 Cobb
- 4,977,698 A 12/1990 Seggerson
- 5,029,406 A 7/1991 Hofman
- D319,509 S 8/1991 Ogilvie
- 5,343,646 A 9/1994 Cobb et al.
- 5,390,462 A 2/1995 Kreiter
- D372,939 S 8/1996 Callas

(Continued)

Related U.S. Application Data

- (62) Division of application No. 29/388,327, filed on Mar. 28, 2011, now Pat. No. Des. 673,402.
- (51) **LOC (9) Cl.** **06-04**
- (52) **U.S. Cl.**
USPC **D6/509**
- (58) **Field of Classification Search**
USPC D6/466, 467, 509, 396, 468, 477;
211/94.01, 94.02, 189; D25/138, 125
See application file for complete search history.

FOREIGN PATENT DOCUMENTS

- FR 2206921 A1 6/1974
- GB 2207853 A 2/1989
- WO 9005354 5/1990

Primary Examiner — Doris Clark

(74) *Attorney, Agent, or Firm* — Michael G. Johnston;
Moore & Van Allen PLLC

(57) **CLAIM**

I claim the ornamental design for a panel, as shown and described.

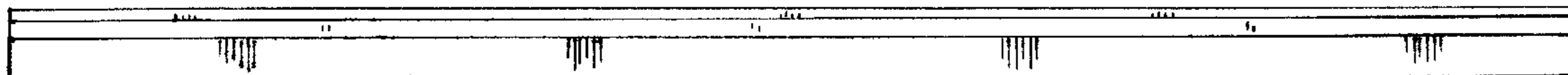
DESCRIPTION

FIG. 1 is a front elevation view of an embodiment of a panel showing my new design.
 FIG. 2 is a rear elevation view of the panel shown in FIG. 1 showing my new design.
 FIG. 3 is a left side elevation view of the panel shown in FIG. 1 showing my new design.
 FIG. 4 is a right side elevation view of the panel shown in FIG. 1 showing my new design.
 FIG. 5 is a top plan view of the panel shown in FIG. 1 showing my new design.
 FIG. 6 is a bottom plan view of the panel shown in FIG. 1 showing my new design; and,
 FIG. 7 is a perspective view of the panel shown in FIG. 1 showing my new design.

1 Claim, 3 Drawing Sheets

(56) **References Cited**
U.S. PATENT DOCUMENTS

- 1,156,866 A 10/1915 Ford
- 1,658,937 A 2/1928 Nelson
- 2,323,049 A 6/1943 Johnson
- D161,418 S 1/1951 Bunin
- 2,682,125 A 6/1954 Coffield
- 2,689,423 A 9/1954 Atkin
- 2,802,551 A 8/1957 Roberts
- 2,880,537 A 4/1959 Cygan
- 3,270,452 A 9/1966 D'Elia et al.
- 3,274,707 A 9/1966 Garden
- 3,339,301 A 9/1967 Doris et al.
- 3,470,640 A 10/1969 Knowles
- 3,722,120 A 3/1973 Finkel
- 4,184,277 A 1/1980 Larin
- D257,047 S 9/1980 Stenersen
- 4,364,216 A 12/1982 Koller



(56)

References Cited

U.S. PATENT DOCUMENTS

D390,732 S *	2/1998	Nadar	D6/509	6,325,223 B1	12/2001	Hannen	
D391,101 S *	2/1998	Robertson	D6/509	6,363,645 B1	4/2002	Hunter	
D399,010 S	9/1998	Current		D473,664 S	4/2003	Perkins et al.	
D401,451 S *	11/1998	Sherman	D6/467	D486,676 S *	2/2004	Campbell et al.	D6/491
D414,567 S	9/1999	Burt et al.		6,772,890 B2 *	8/2004	Campbell et al.	211/94.01
D438,030 S *	2/2001	Riga	D6/477	D511,581 S	11/2005	Holztrager	
6,199,705 B1 *	3/2001	Portner	211/26	7,287,348 B2	10/2007	Harkins	
				2006/0101683 A1	5/2006	Baker	
				2007/0278168 A1 *	12/2007	Li	211/94.01
				2008/0061018 A1	3/2008	Keller	

* cited by examiner



FIG. 1



FIG. 2

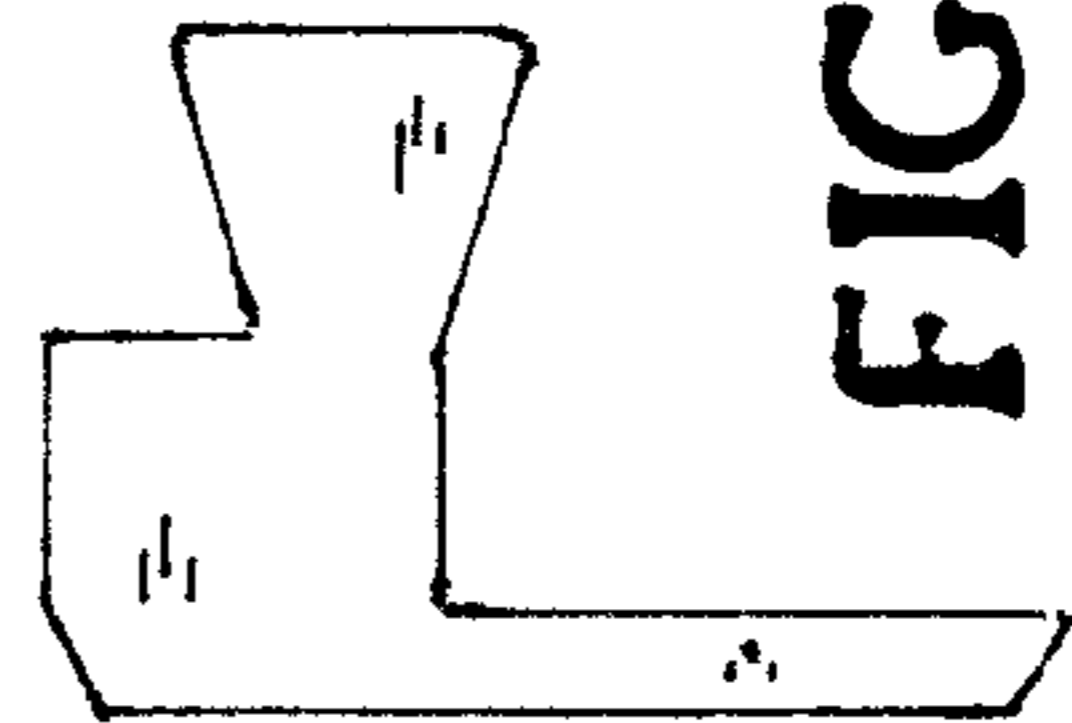


FIG. 3

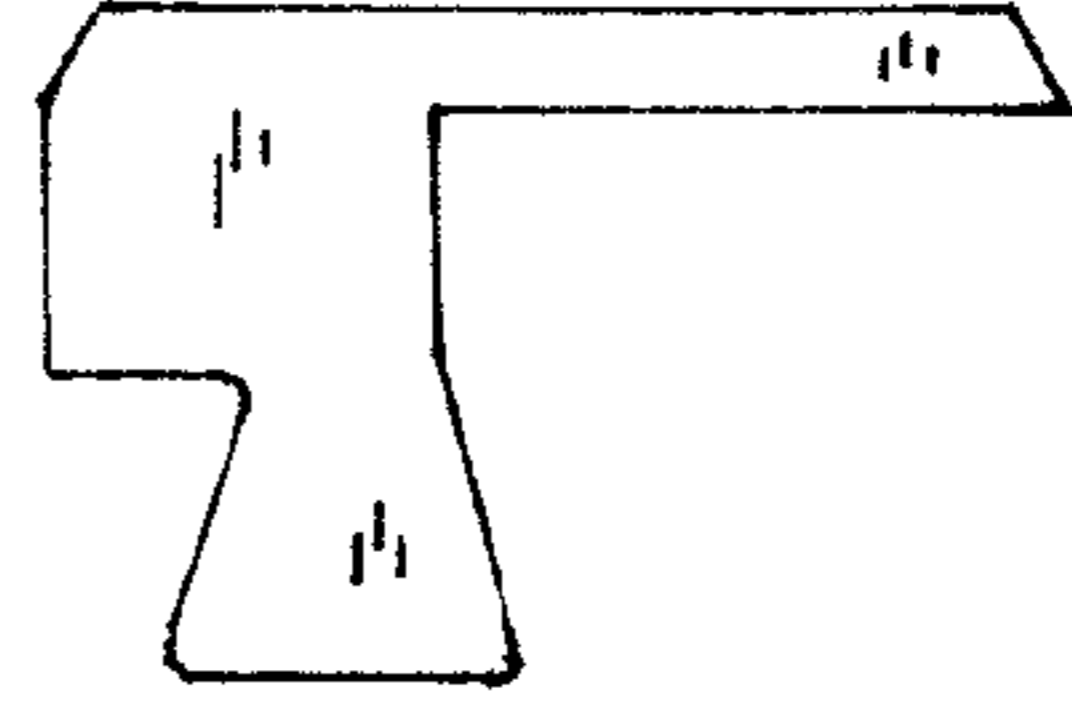


FIG. 4



FIG. 5

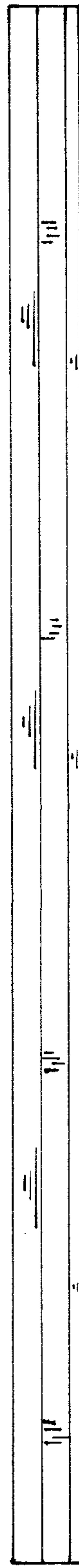


FIG. 6

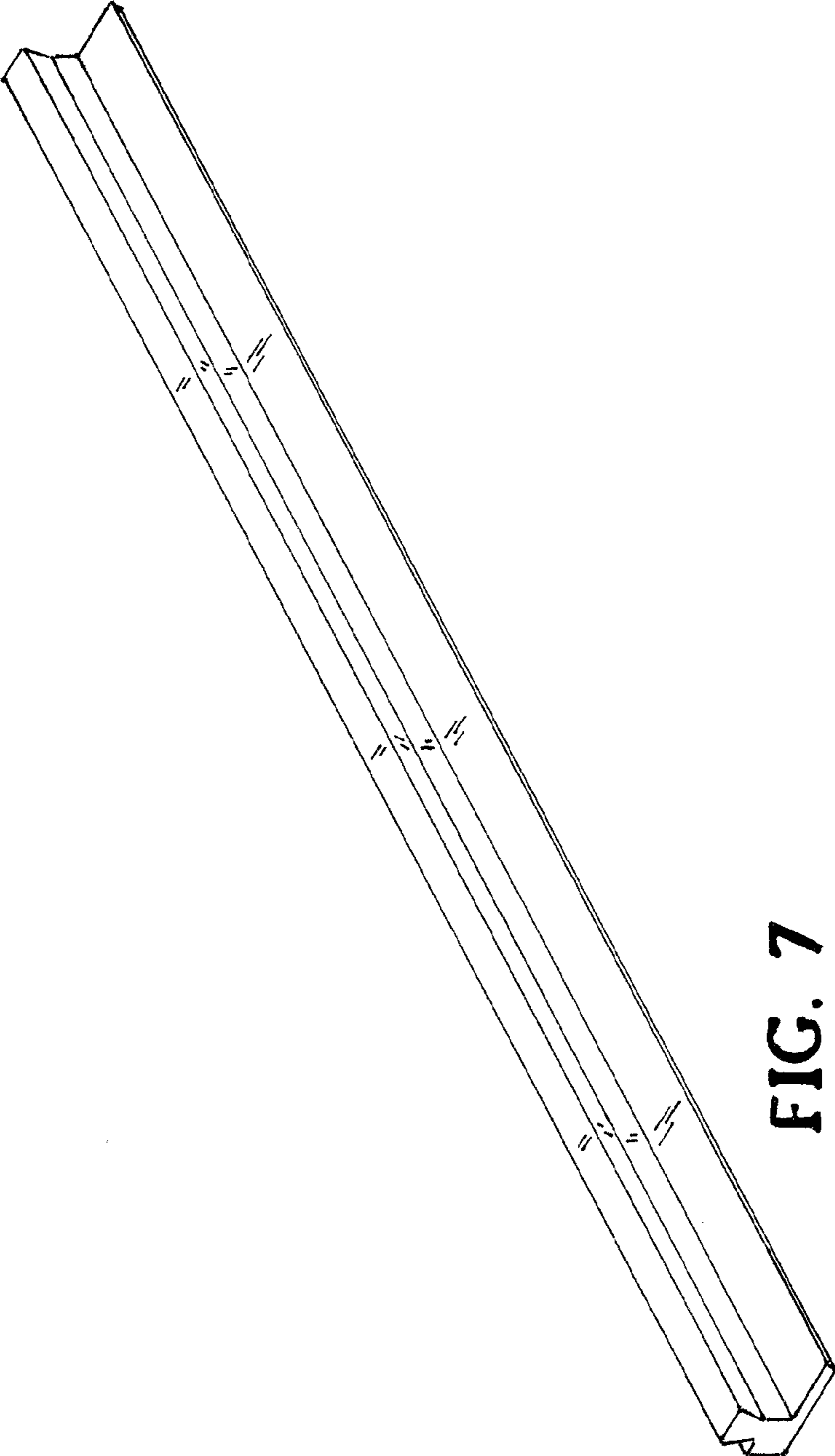


FIG. 7