

US00D693592S

(12) **United States Design Patent**
Cute

(10) **Patent No.:** **US D693,592 S**

(45) **Date of Patent:** **** Nov. 19, 2013**

(54) **HANGER WITH BUTTERFLY**
(75) Inventor: **Joseph E. Cute**, Geneva, IL (US)
(73) Assignee: **Sun Hill Industries, Inc.**, Fairfield, CA (US)
(**) Term: **14 Years**

6,035,576 A * 3/2000 Bozeman 47/47
D435,359 S * 12/2000 McCarron D6/403
D443,153 S * 6/2001 Thomas D6/404
D504,790 S * 5/2005 Ramsey D6/403
D517,343 S * 3/2006 Hayes D6/403
D545,079 S * 6/2007 Peterson D6/403
D637,833 S * 5/2011 Russell D6/405
D644,041 S * 8/2011 Bugio D6/462
D679,920 S * 4/2013 Terol D6/405

* cited by examiner

(21) Appl. No.: **29/430,953**

Primary Examiner — Garth Rademaker

(22) Filed: **Aug. 31, 2012**

(74) *Attorney, Agent, or Firm* — Riverside Law LLP

(51) **LOC (9) Cl.** **11-02**

(52) **U.S. Cl.**
USPC **D6/404**

(57) **CLAIM**

I claim the ornamental design for a hanger with butterfly, as shown and described.

(58) **Field of Classification Search**
USPC D6/403–405, 556–558; D8/1;
D11/143–156, 164; D19/77, 80, 81,
D19/84; D25/100; D26/9–11, 16, 19;
D34/1, 2, 4–6; D99/5, 19; 47/17, 32.4,
47/32.5, 33, 39, 41.01, 41.1, 41.11–41.15,
47/44–47, 65, 65.5, 65.9, 66.1, 66.6, 66.7,
47/67–71

DESCRIPTION

FIG. 1 is a perspective view of a hanger with butterfly;
FIG. 2 is a right side view thereof;
FIG. 3 is a left side view thereof;
FIG. 4 is a front view thereof;
FIG. 5 is a rear view thereof;
FIG. 6 is a top view thereof;
FIG. 7 is a bottom view thereof; and,
FIG. 8 is a perspective view thereof, shown in an environment of use.

See application file for complete search history.

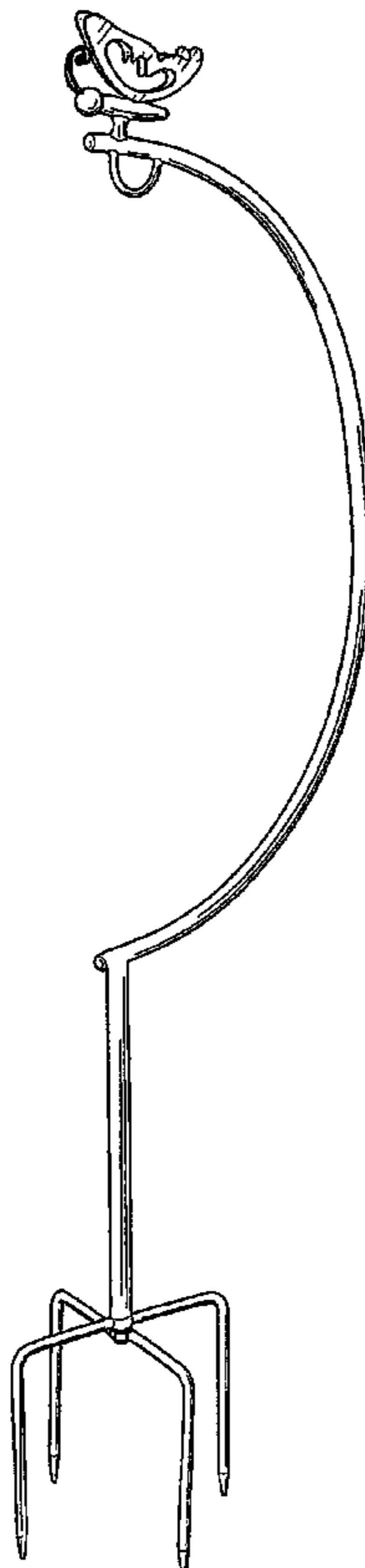
The broken lines depict environmental subject matter only and form no part of the claimed design.

(56) **References Cited**

U.S. PATENT DOCUMENTS

D18,785 S * 12/1888 Reed et al. D11/149
D138,055 S * 6/1944 Cristonello D11/149
D379,037 S * 5/1997 Moran, III D6/405

1 Claim, 5 Drawing Sheets



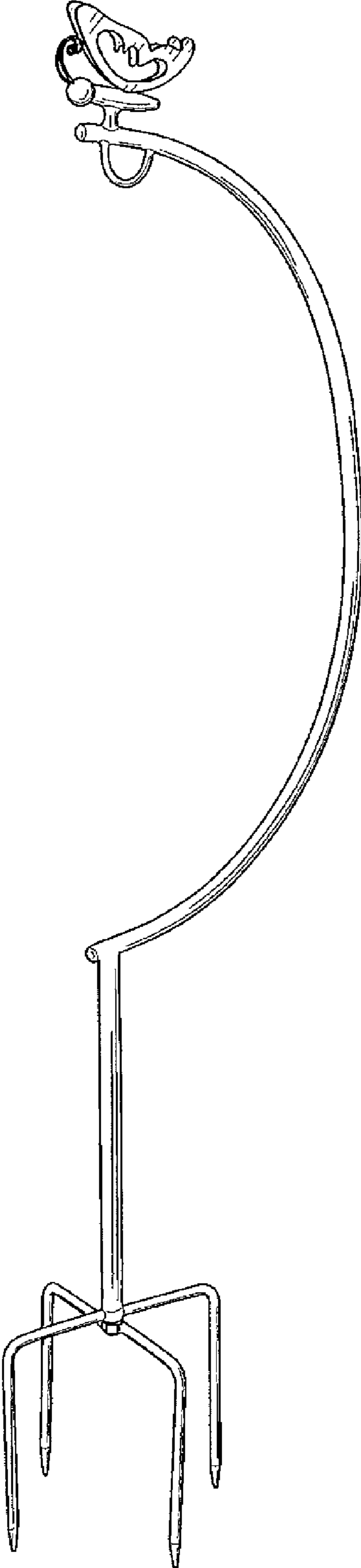


FIG. 1

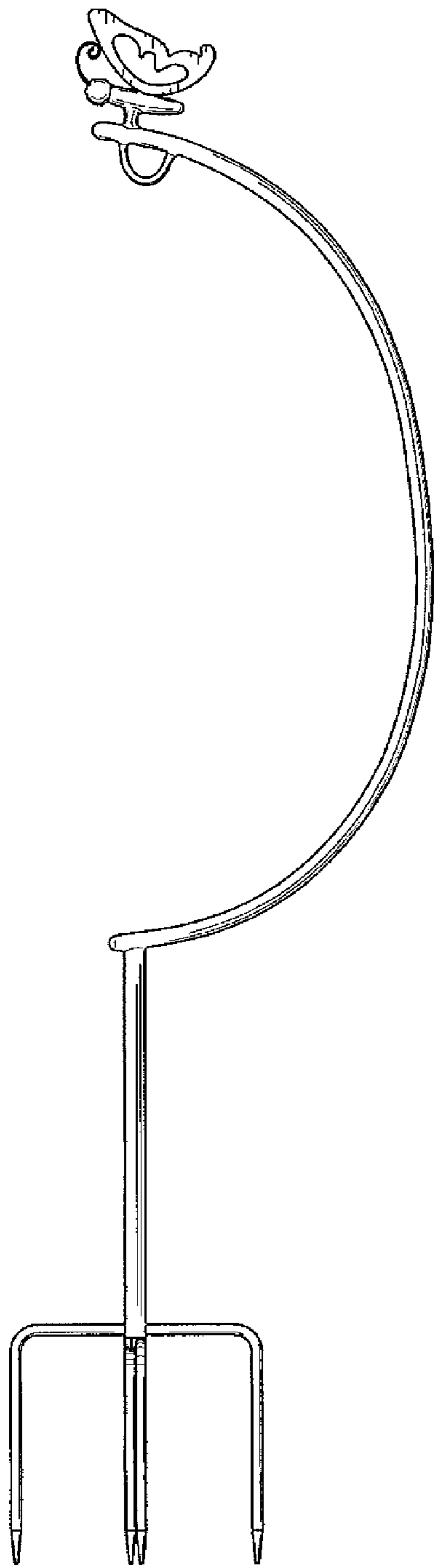


FIG. 2

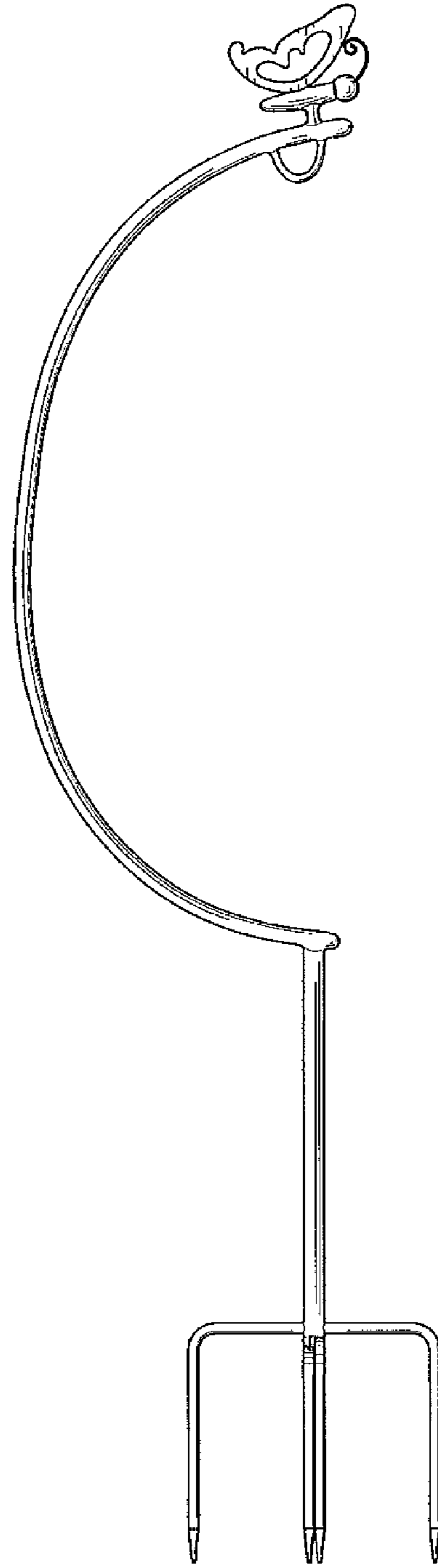


FIG. 3

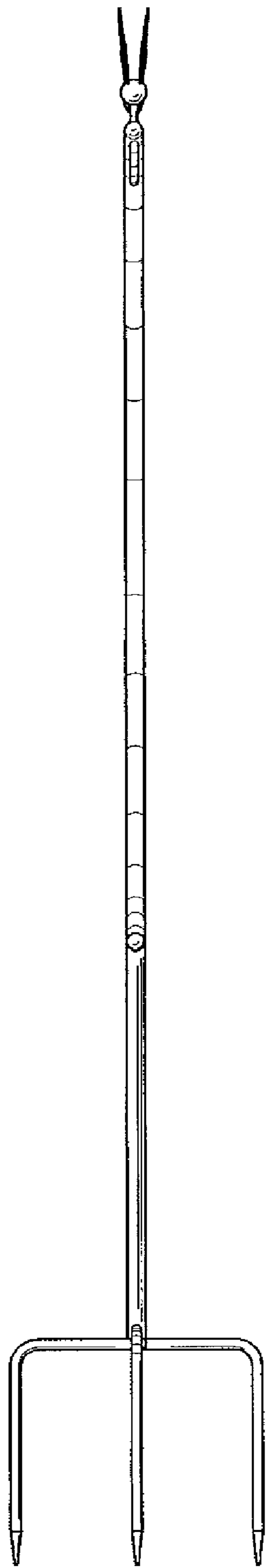


FIG. 4

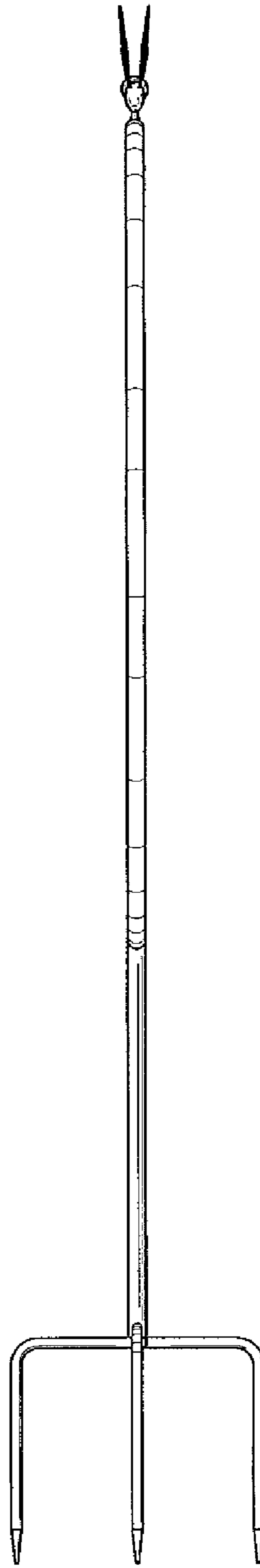


FIG. 5

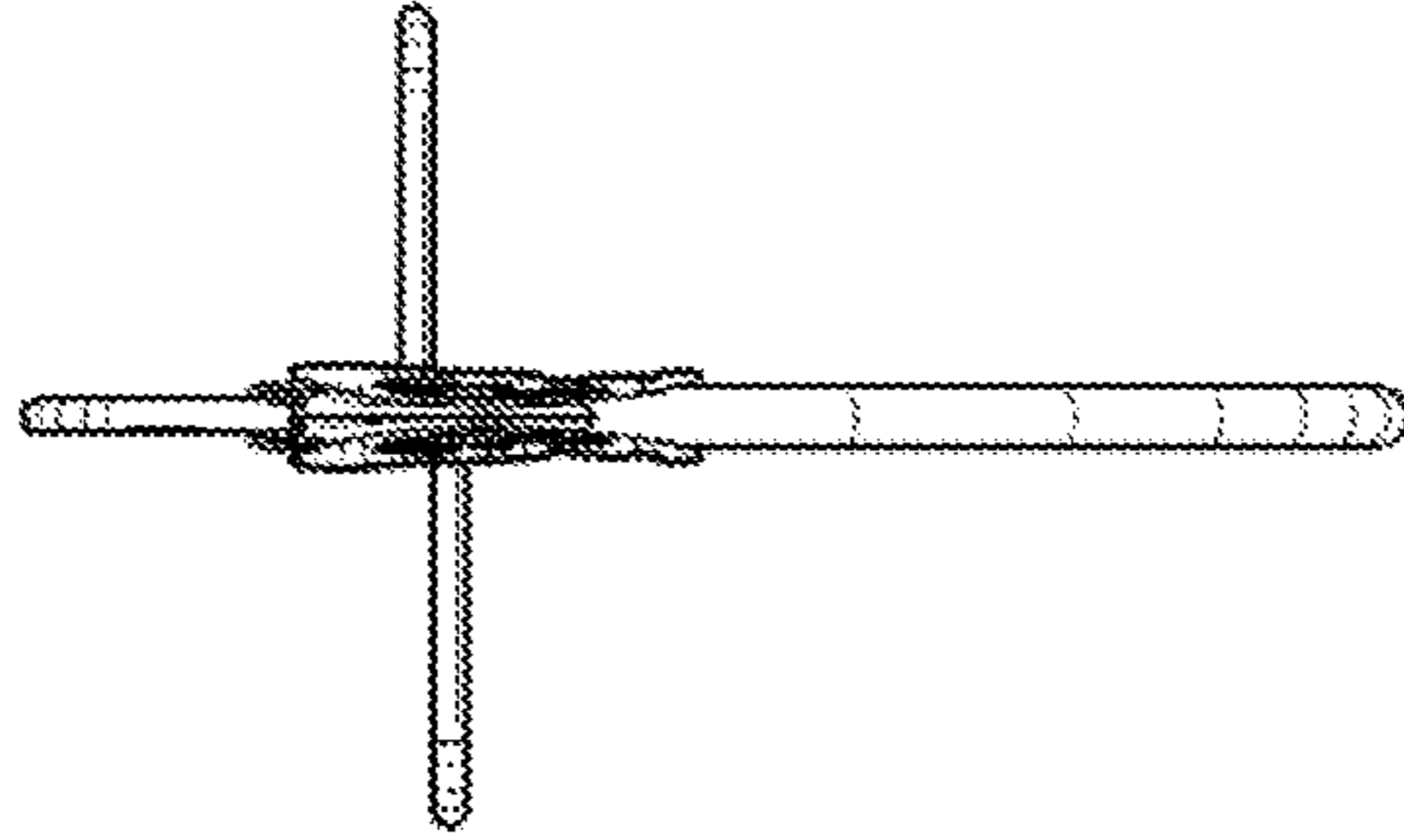


FIG. 6

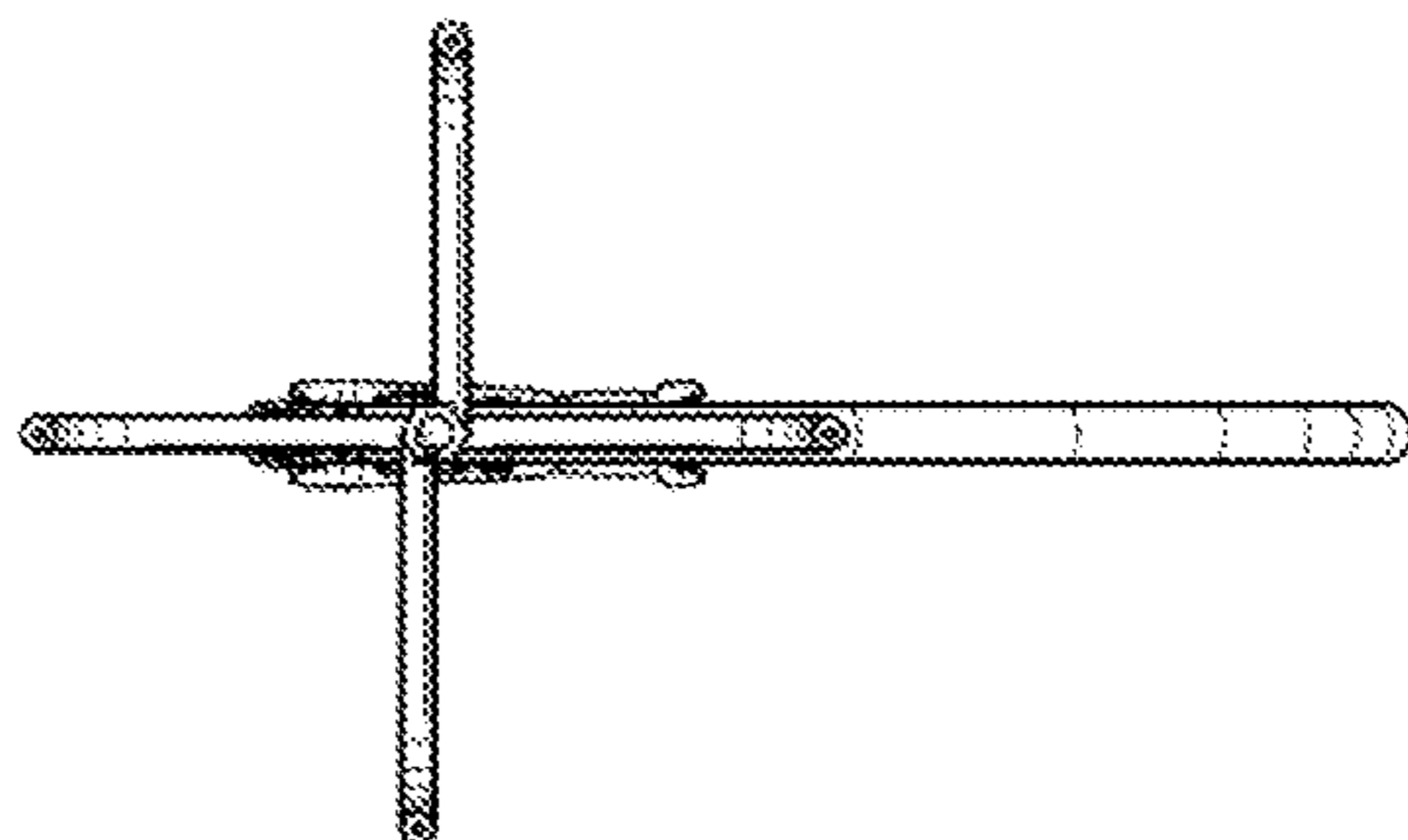


FIG. 7

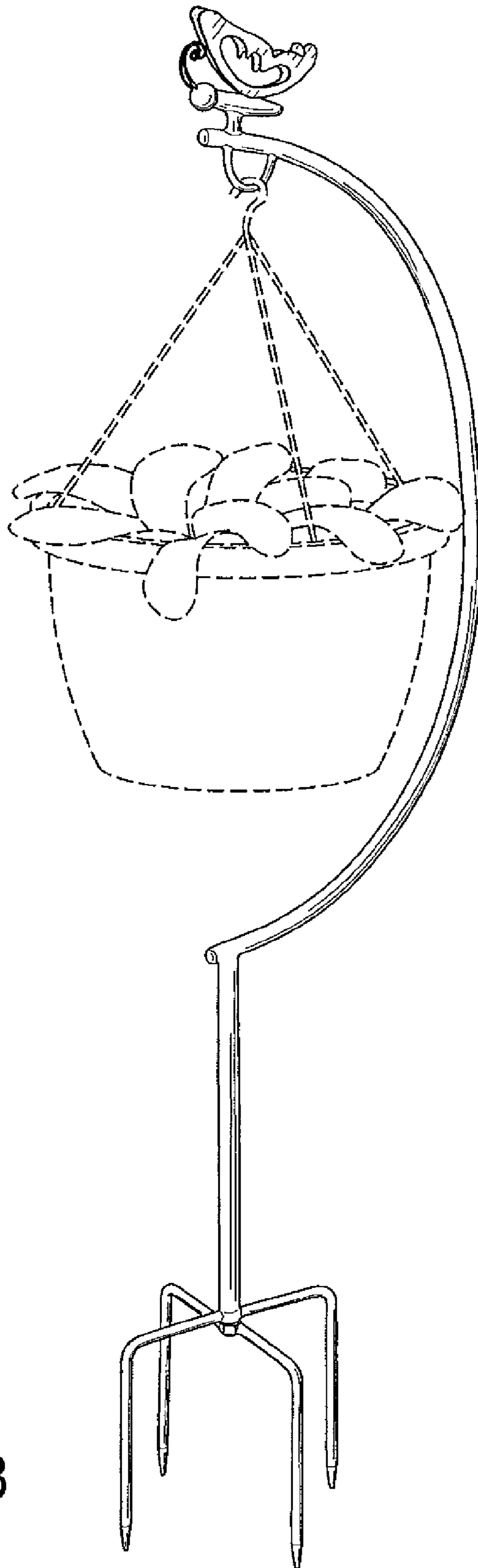


FIG. 8