



US00D693591S

(12) **United States Design Patent**
Pedersen et al.

(10) **Patent No.:** **US D693,591 S**

(45) **Date of Patent:** **** Nov. 19, 2013**

(54) **CHAIR**

(71) Applicant: **Target Brands, Inc.**, Minneapolis, MN (US)

(72) Inventors: **Sara L. Pedersen**, Minneapolis, MN (US); **Katherine R. Wittenberg**, Saint Paul, MN (US); **Chad M. Bogdan**, Saint Paul, MN (US); **George K. Smithwick**, Blaine, MN (US)

(73) Assignee: **Target Brands, Inc.**, Minneapolis, MN (US)

(**) Term: **14 Years**

(21) Appl. No.: **29/460,884**

(22) Filed: **Jul. 16, 2013**

Related U.S. Application Data

(63) Continuation of application No. 29/436,193, filed on Nov. 2, 2012, now Pat. No. Des. 688,889.

(51) **LOC (9) Cl.** **06-01**

(52) **U.S. Cl.**
USPC **D6/379**

(58) **Field of Classification Search**
USPC D6/334–336, 369, 370, 374, 375, 376, D6/379, 380, 716, 716.1, 716.2, 716.3, D6/716.4; 297/411.43, 411.44, 445.1, 297/446.1, 446.2, 447.1, 447.2, 448.1
See application file for complete search history.

(56) **References Cited**

U.S. PATENT DOCUMENTS

D270,406 S	9/1983	Schultz
D279,331 S	6/1985	Griffith
D309,991 S	8/1990	Miller
D333,925 S	3/1993	Ricchio, Jr. et al.
D355,780 S	2/1995	Noll

D366,774 S	*	2/1996	Frinier	D6/370
D376,055 S		12/1996	Hand et al.		
D396,365 S	*	7/1998	Lizell	D6/716
D399,667 S	*	10/1998	Muller	D6/370
D421,684 S		3/2000	Saul		
D425,718 S	*	5/2000	van Valderen	D6/370
D446,956 S	*	8/2001	Black	D6/369
D457,342 S	*	5/2002	Muller	D6/370
D513,670 S		1/2006	Yamagata		
D540,057 S		4/2007	Doughty		
D543,373 S	*	5/2007	Schweikarth et al.	D6/379
D557,919 S		12/2007	Rech		

(Continued)

OTHER PUBLICATIONS

AuthenTEAK, “Barlow Tyrie Aura Stacking Sling Armchair—Teak Armrest,” <http://www.authenteak.com/Chairs-and-Stools/Barlow-Tyrie-Aura-Stacking-Sling-Armchair-Teak-Armrest.asp>, 1 page, at least as early as Aug. 2012.

(Continued)

Primary Examiner — Mimoso De

(74) *Attorney, Agent, or Firm* — Leanne Taveggia Farrell; Westman, Champlin & Koehler, P.A.

(57) **CLAIM**

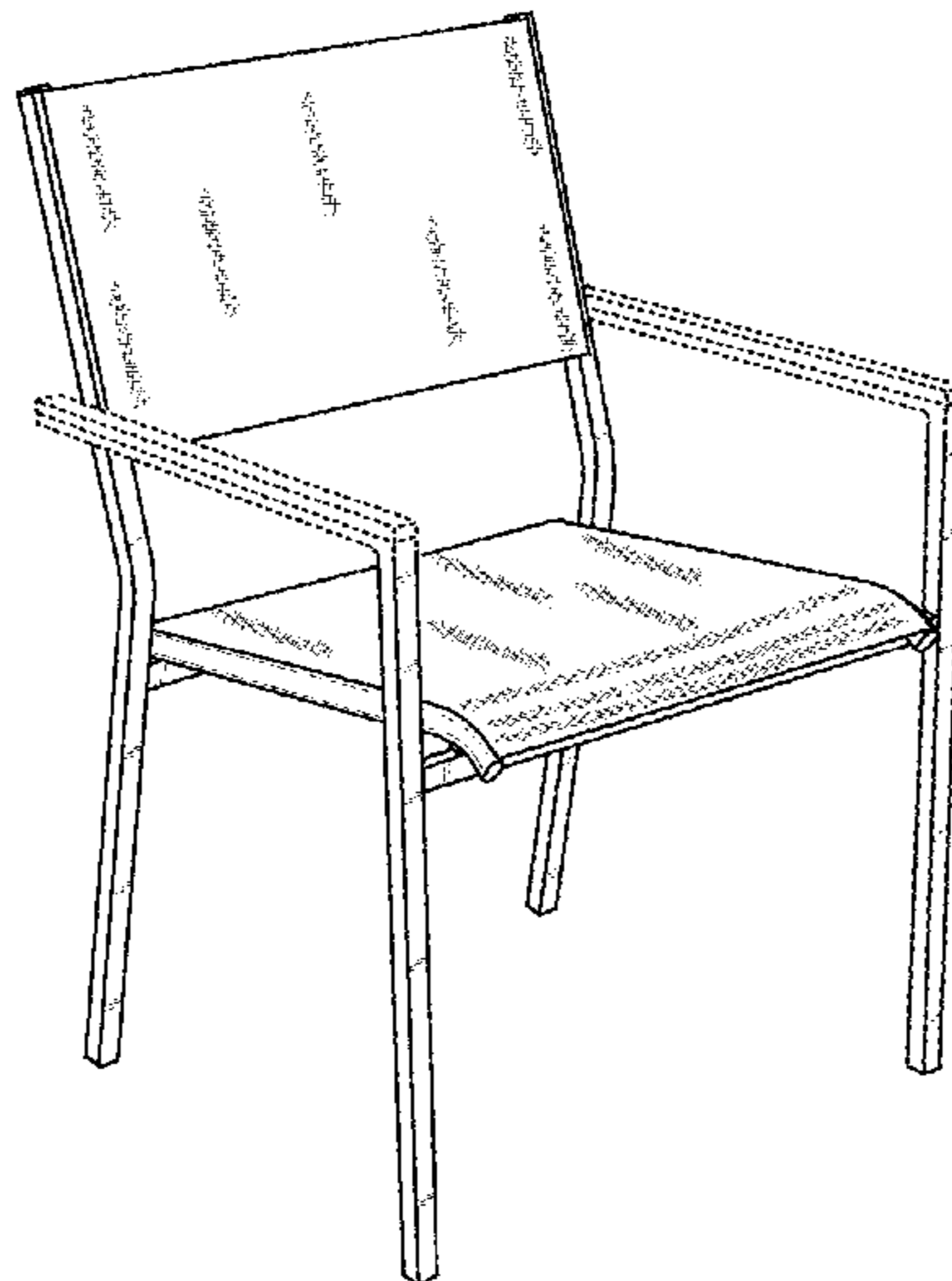
The ornamental design for a chair, as shown and described.

DESCRIPTION

FIG. 1 is a perspective view of a chair;
FIG. 2 is a left side view thereof;
FIG. 3 is a right side view thereof;
FIG. 4 is a front view thereof;
FIG. 5 is a back view thereof;
FIG. 6 is a top view thereof; and,
FIG. 7 is a bottom view thereof.

The broken lines shown in the drawings are included for purposes of illustrating portions of the chair and form no part of the claimed design.

1 Claim, 4 Drawing Sheets



(56)

References Cited

U.S. PATENT DOCUMENTS

D579,052 S 10/2008 Ciani et al.
D580,676 S * 11/2008 Cramer et al. D6/379
D647,318 S * 10/2011 Bogdan et al. D6/379
D648,556 S 11/2011 Frinier
D651,015 S 12/2011 Jordan et al.
D654,285 S 2/2012 Ballendat
D663,131 S * 7/2012 Barefoot et al. D6/374

OTHER PUBLICATIONS

AllModern, "Barlow Tyrie Equinox Lounge Chair," <http://www.allmodern.com/Badow-Tyrie-Teak-Equinox-Lounge-Chair-1EQA.-BT1600.html>, 1 page, at least as early as Aug. 2012.
AuthenTEAK, "Barlow Tyrie Quattro Stacking Sling Armchair," <http://www.authenteak.com/Chairs-and-Stools/Barlow-Tyrie-Quat->

tro-Stacking-Sling-Armchair.asp, 1 page, at least as early as Aug. 2012.

Allegro Classics, "Oskar Folding Ottoman," http://www.allegroclassics.com/oskar_collection.asp, 1 page, at least as early as Aug. 2012.

The Living Quarters, "Telescope Casual Reliance Stacking Sling Arm Chair," <http://www.thelivingquarters.com/telescope-casual-reliance-stacking-sling-arm-chair.html>, 1 page, at least as early as Aug. 2012.

Makostrings, "Travira Armchair Black Sling," <http://makostrings.com/travira-armchair-black-sling/>, 1 page, at least as early as Aug. 2012.

PatioFurnitureBuy, "Tropitone Veer Sling Aluminum Arm Patio Dining Chair," <http://www.patiofurniturebuy.com/tropitone-veer-aluminum-sling-dining-chair-tp670824/>, 1 page, at least as early as Aug. 2012.

* cited by examiner

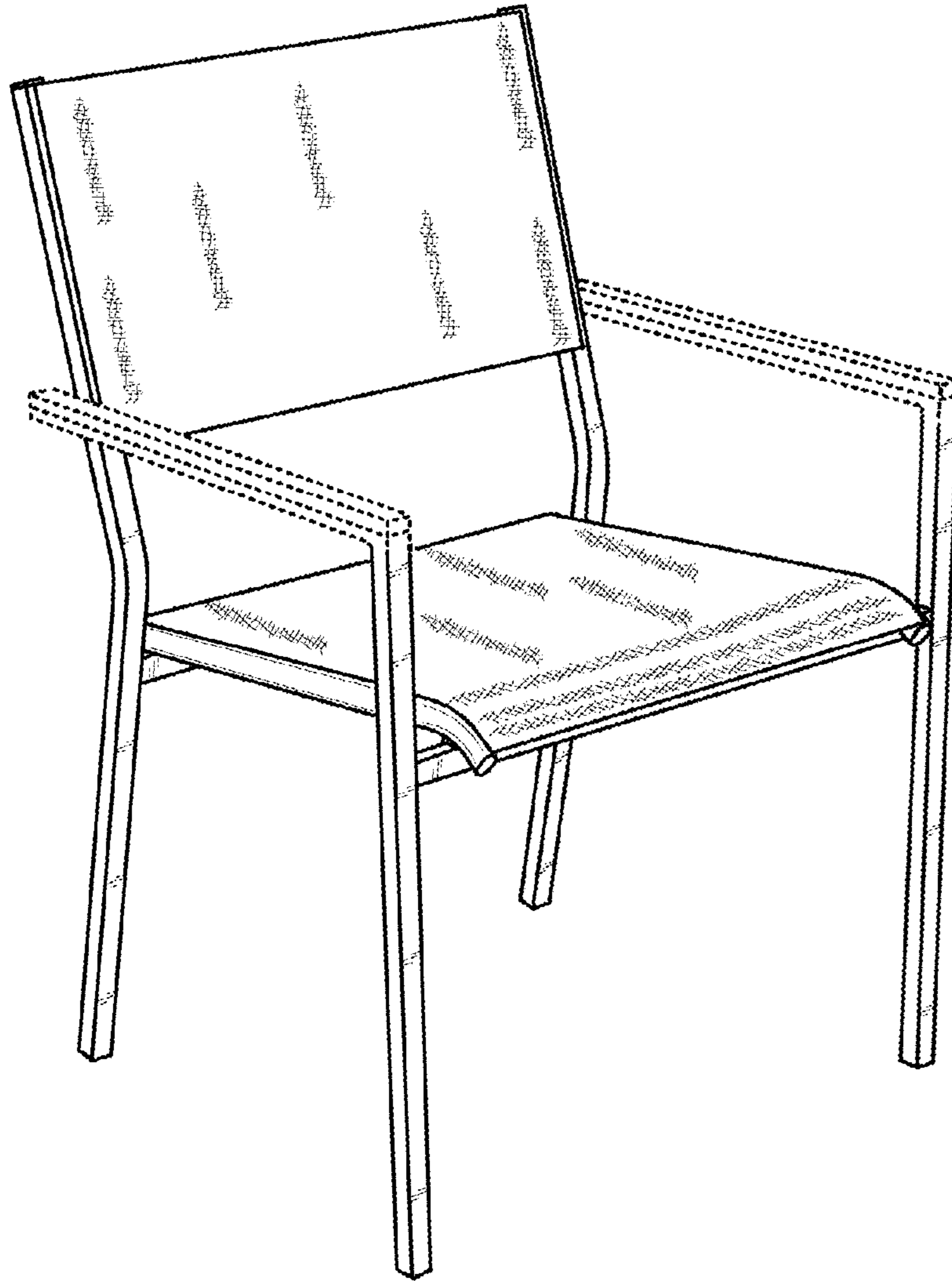


FIG. 1

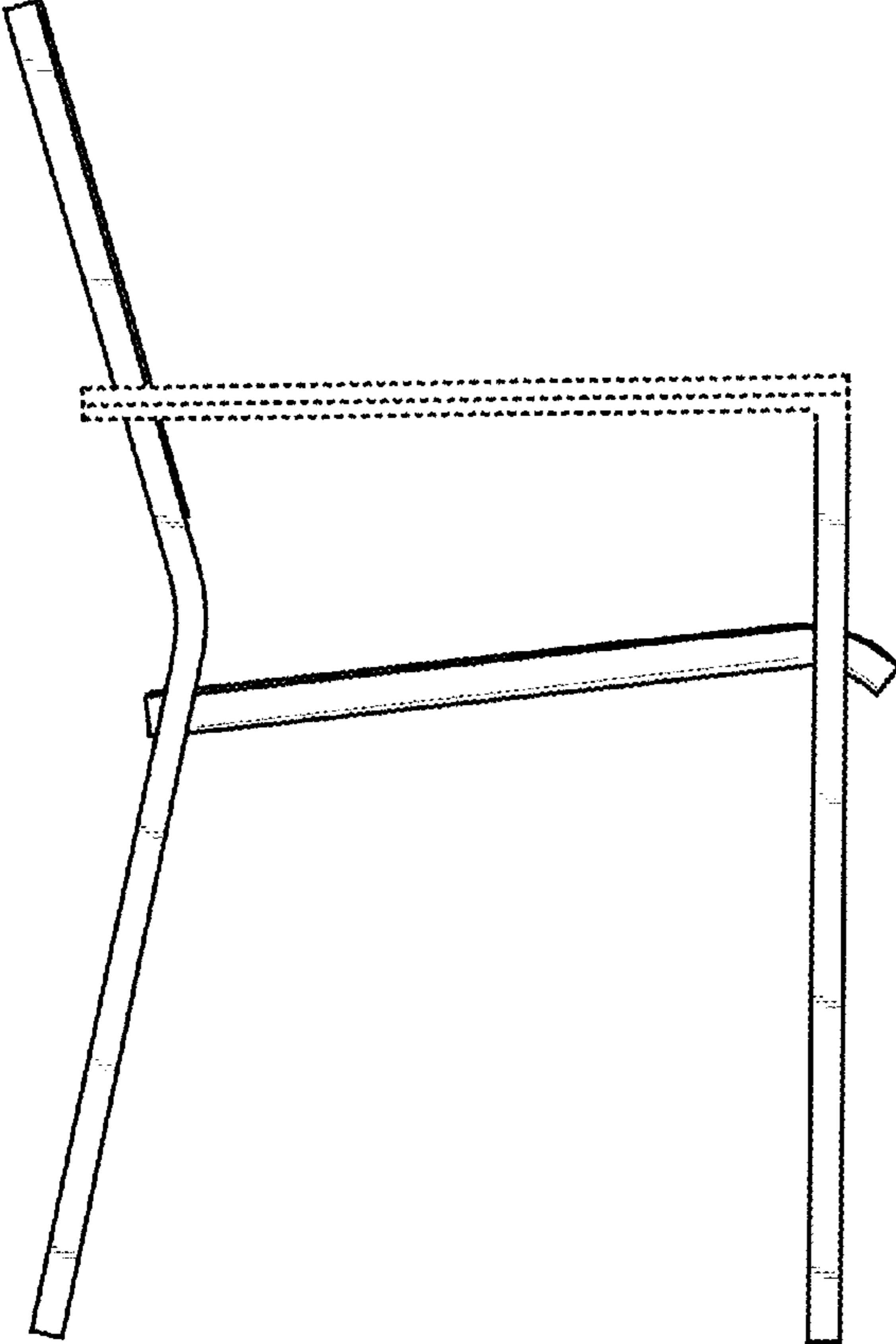


FIG. 2

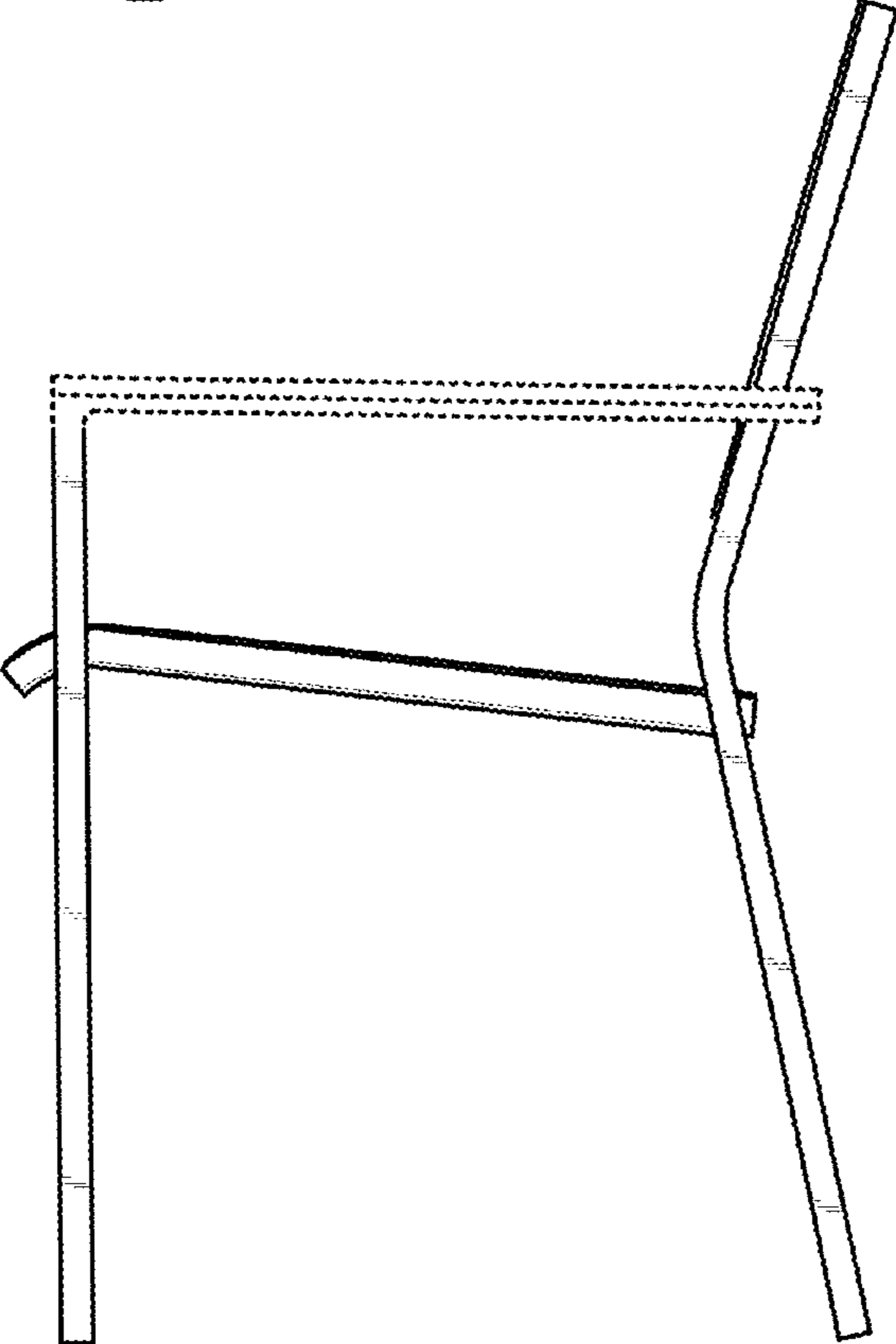


FIG. 3

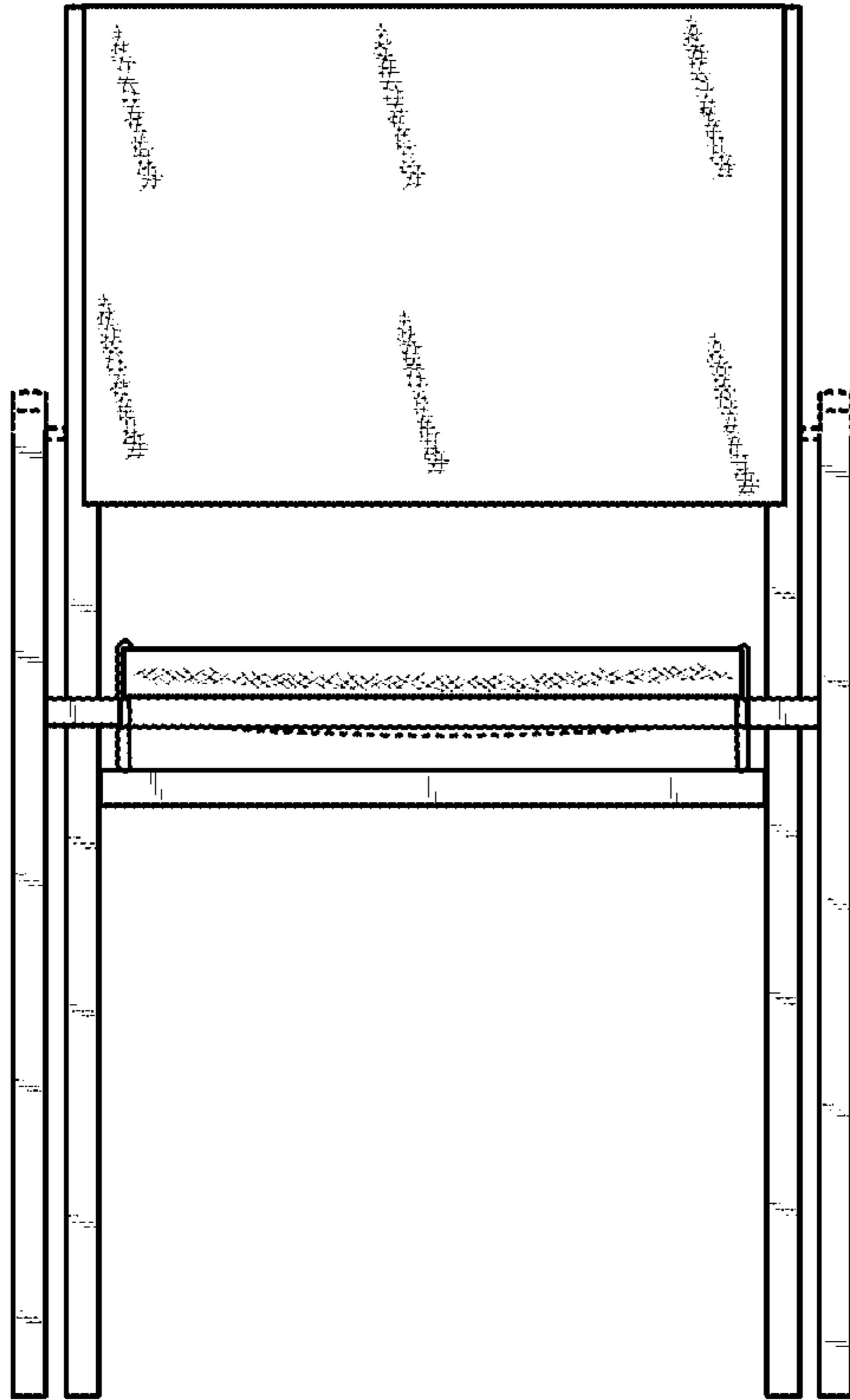
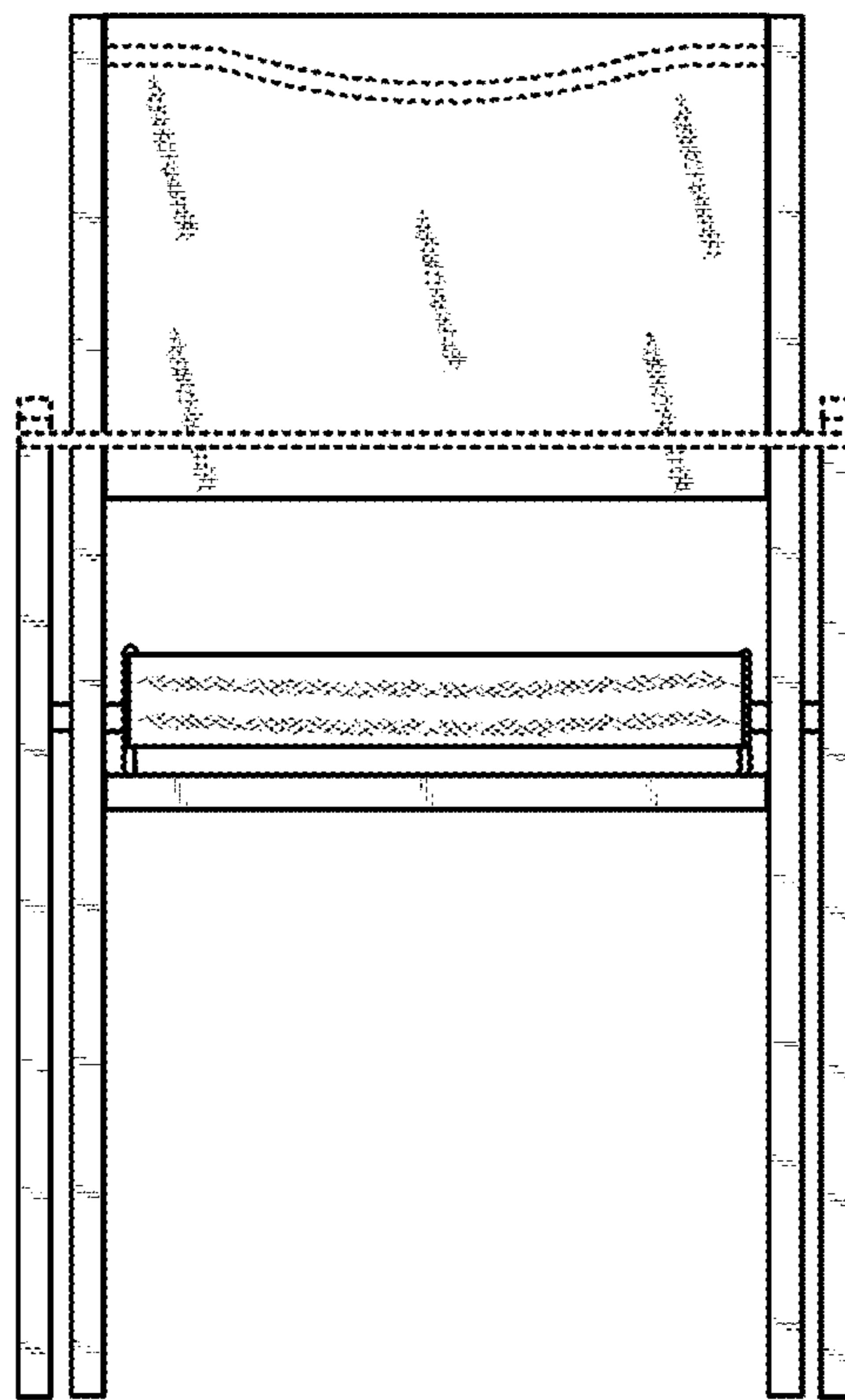


FIG. 4

FIG. 5



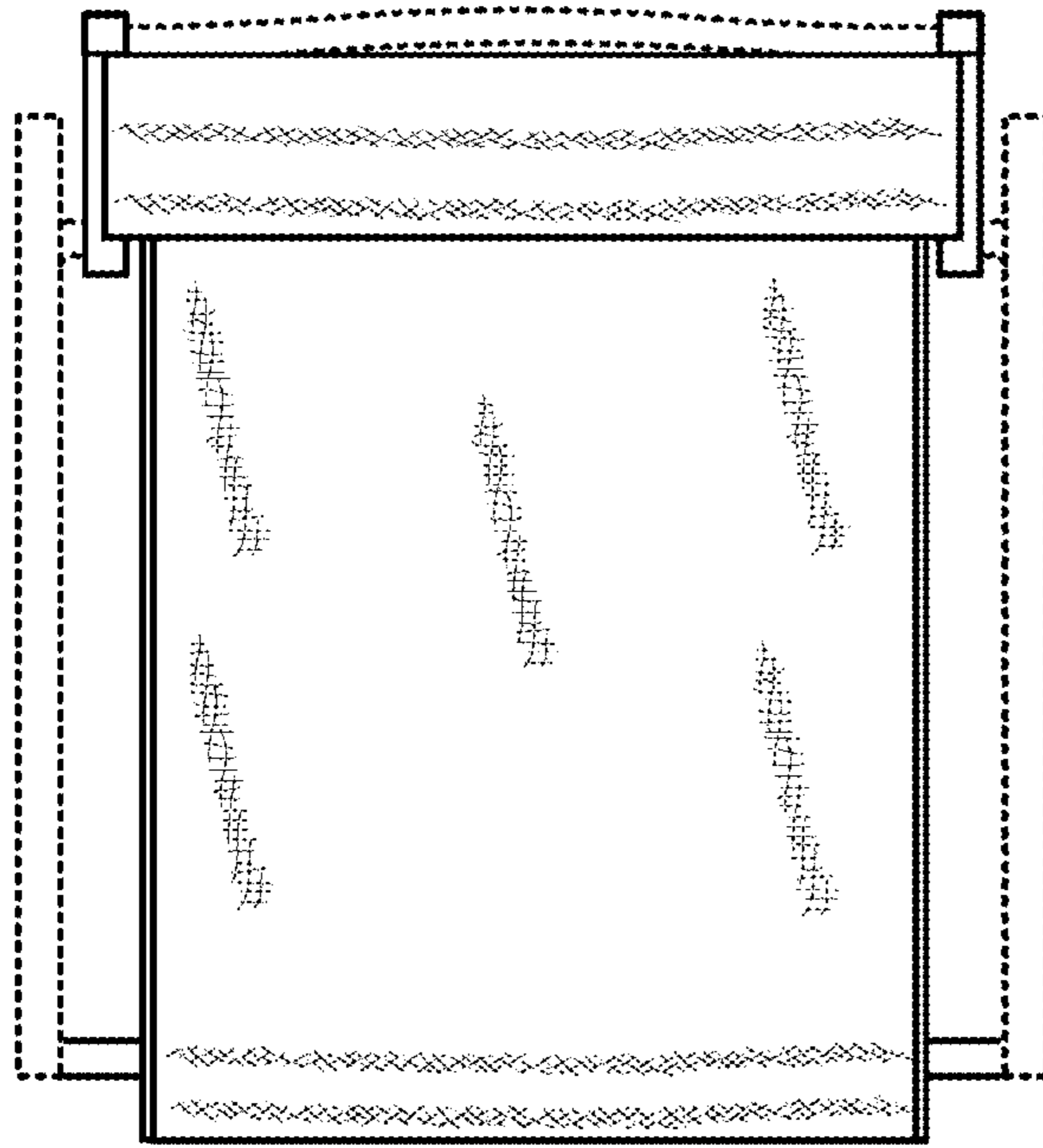


FIG. 6

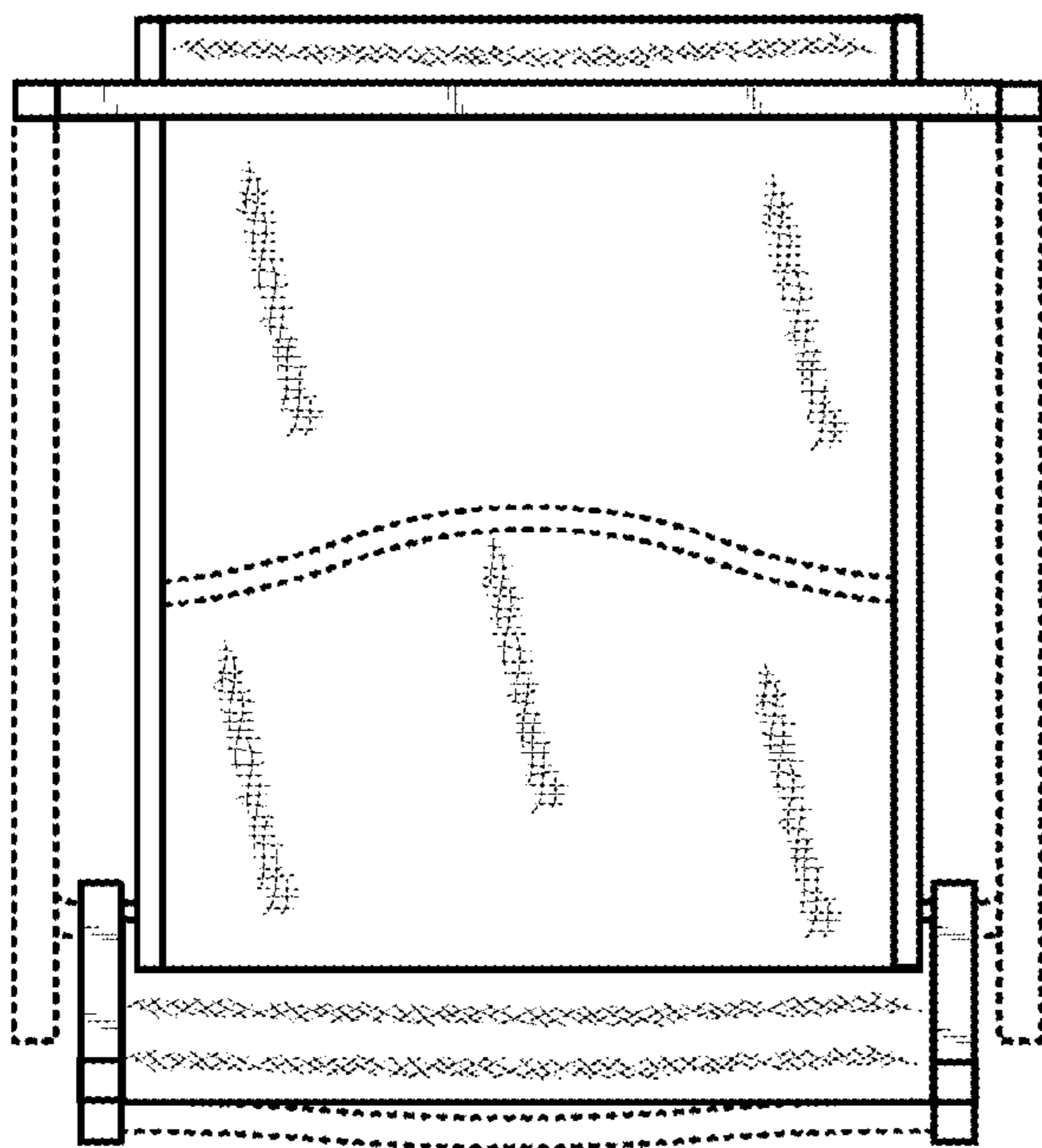


FIG. 7