



US00D693590S

(12) **United States Design Patent**  
**Irvine**

(10) **Patent No.:** **US D693,590 S**

(45) **Date of Patent:** **\*\* Nov. 19, 2013**

(54) **CHAIR**

(75) Inventor: **James Irvine**, Treviso (IT)

(73) Assignee: **Arper S.p.A.**, Monastier di Treviso,  
Treviso (IT)

(\*\*) Term: **14 Years**

(21) Appl. No.: **29/428,436**

(22) Filed: **Jul. 31, 2012**

(30) **Foreign Application Priority Data**

Feb. 20, 2012 (WO) ..... 653931901

(51) **LOC (9) Cl.** ..... **06-01**

(52) **U.S. Cl.**  
USPC ..... **D6/379**

(58) **Field of Classification Search**

USPC ..... D6/334-336, 370, 374, 376, 379, 380,  
D6/716, 716.1, 716.2, 716.3, 716.4;  
297/239, 411.28, 445.1, 446.1, 446.2,  
297/451.11, 452.29

See application file for complete search history.

(56) **References Cited**

**U.S. PATENT DOCUMENTS**

D168,772 S \* 2/1953 Wagner ..... D6/380  
2,642,118 A \* 6/1953 Lamb ..... 297/239

D431,385 S \* 10/2000 Barile et al. .... D6/370  
D431,725 S \* 10/2000 Barile et al. .... D6/370  
D570,617 S \* 6/2008 Lewis ..... D6/379  
D598,669 S \* 8/2009 Schweikarth et al. .... D6/379  
D607,661 S \* 1/2010 Chadwick ..... D6/380  
D654,286 S \* 2/2012 Gasca Burges ..... D6/380

\* cited by examiner

*Primary Examiner* — Mimosa De

(74) *Attorney, Agent, or Firm* — Shoemaker and Mattare

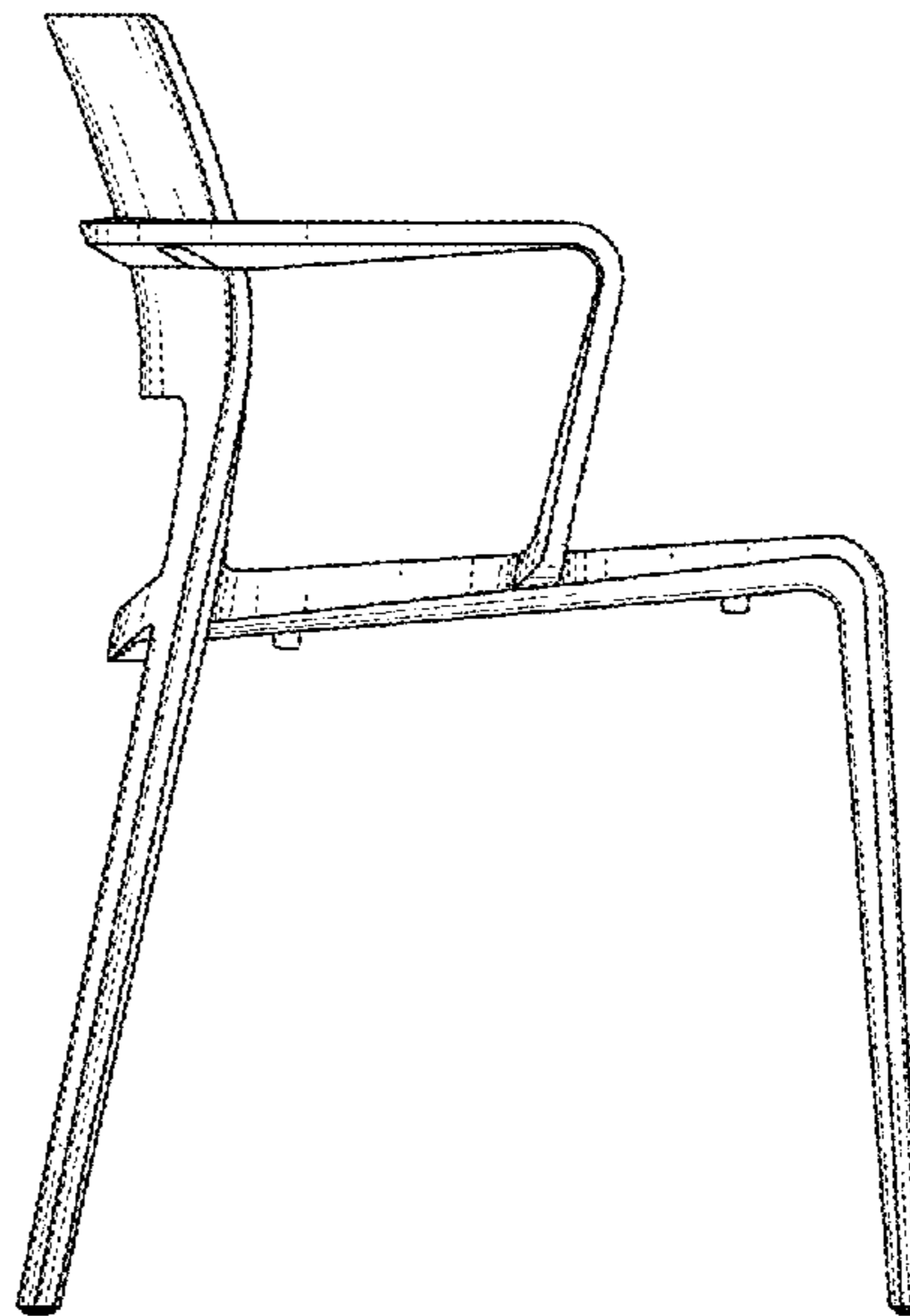
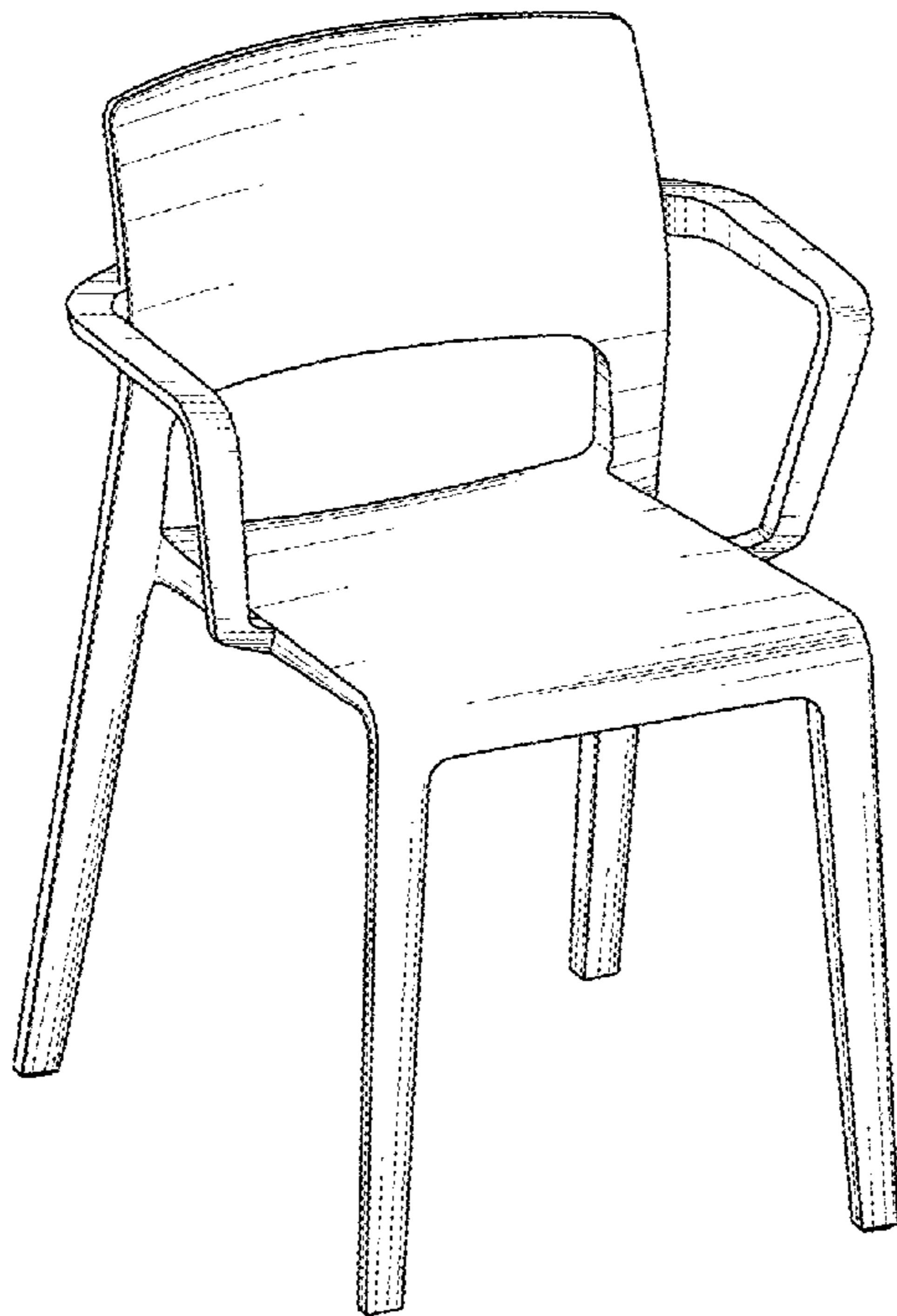
(57) **CLAIM**

The ornamental design for a chair, as shown and described.

**DESCRIPTION**

FIG. 1 is a perspective view of a chair, showing my new design from the front, top and right side;  
FIG. 2 is a left side view thereof;  
FIG. 3 is a right side view thereof;  
FIG. 4 is a front elevational view thereof;  
FIG. 5 is a rear elevational view thereof; and,  
FIG. 6 is a top plan view thereof.

**1 Claim, 6 Drawing Sheets**



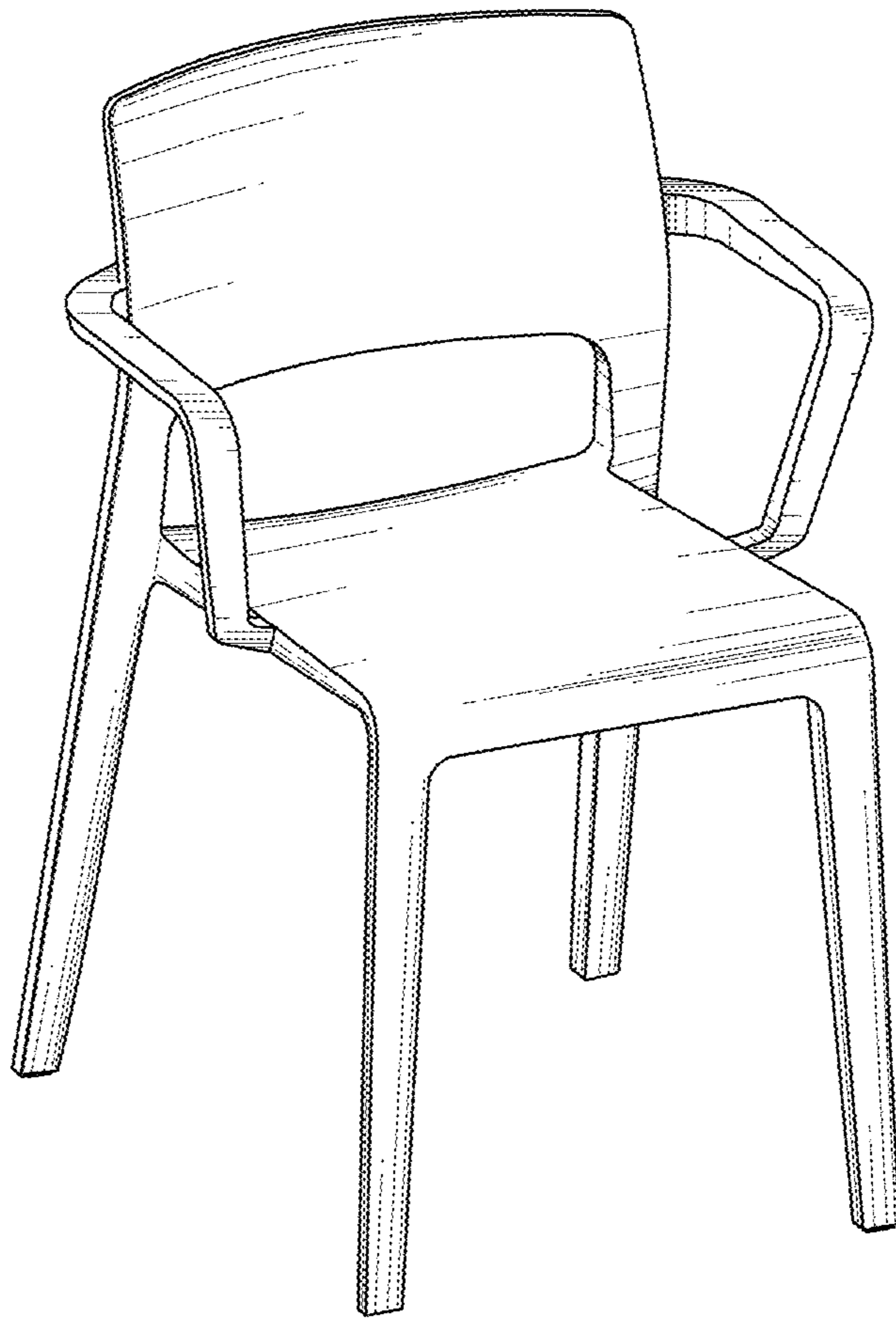


Fig. 1

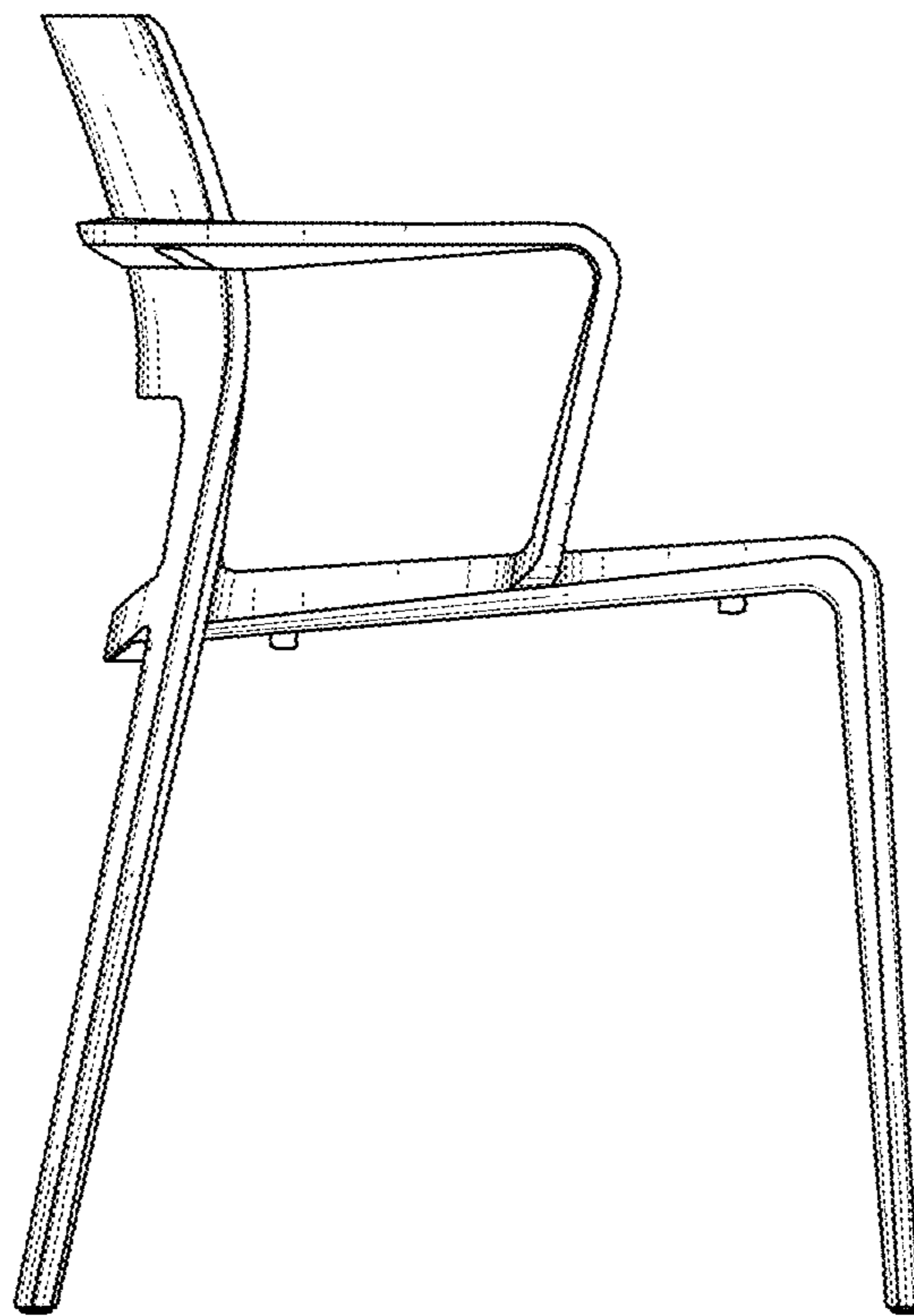


Fig. 2

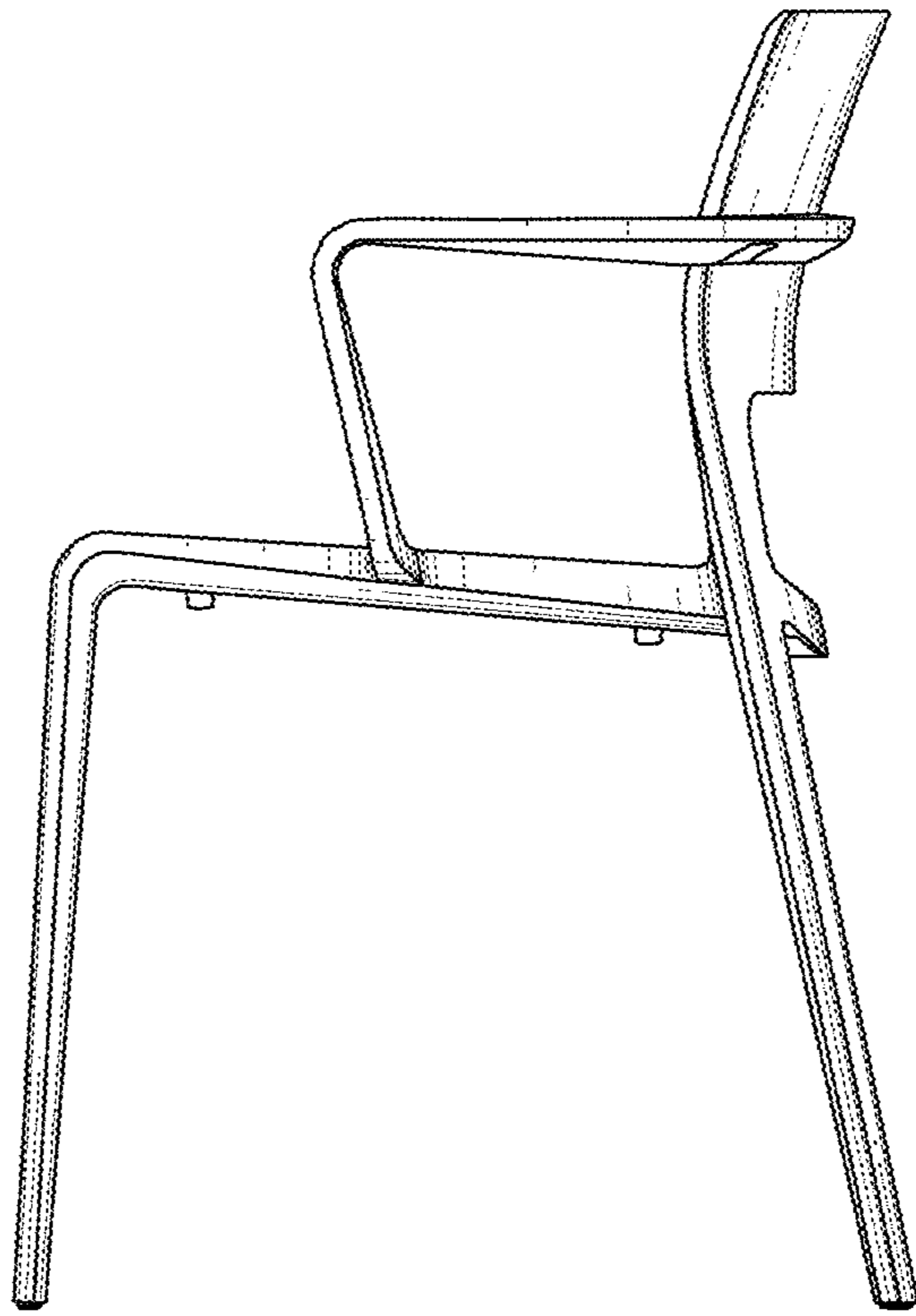


Fig. 3

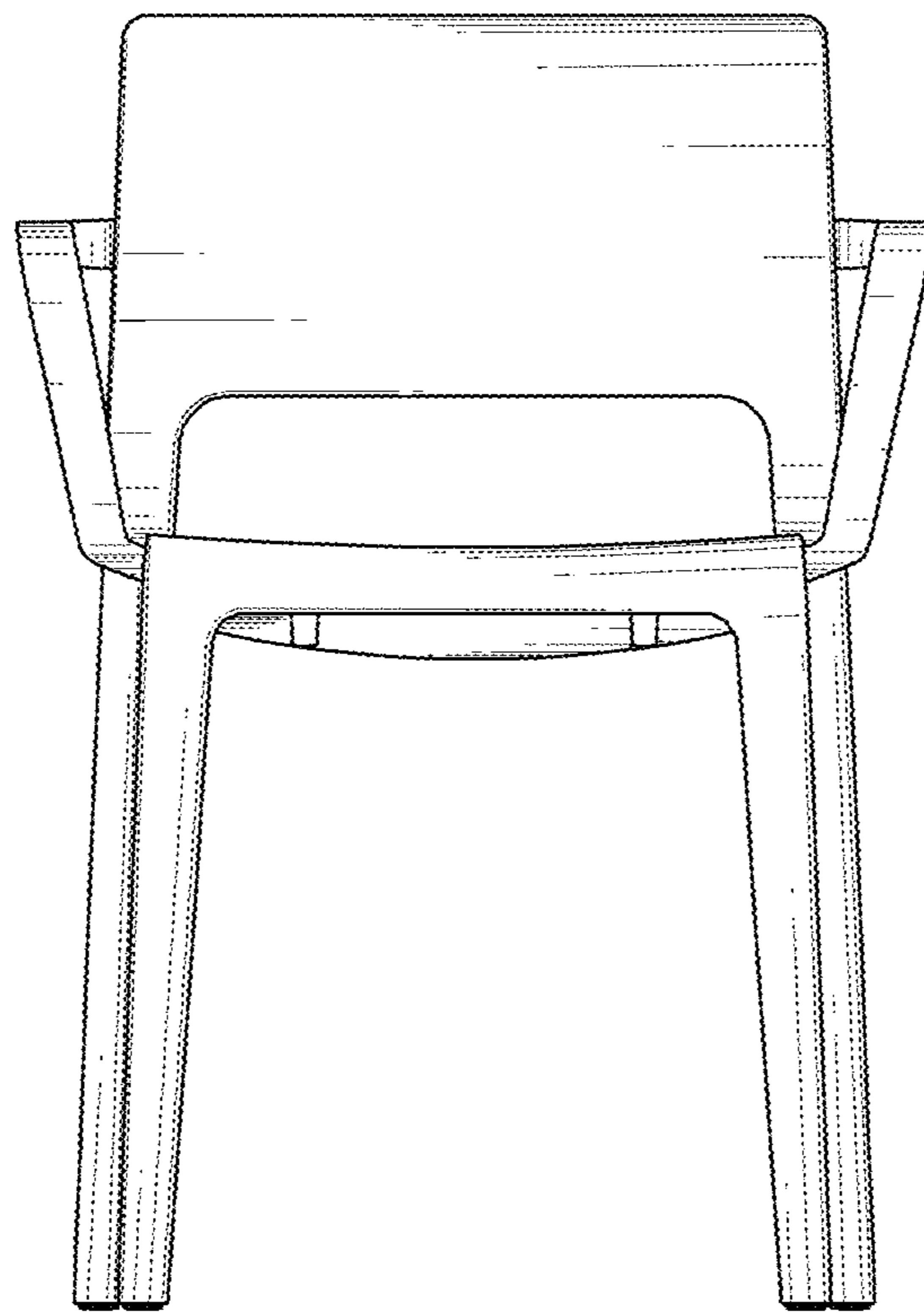


Fig. 4

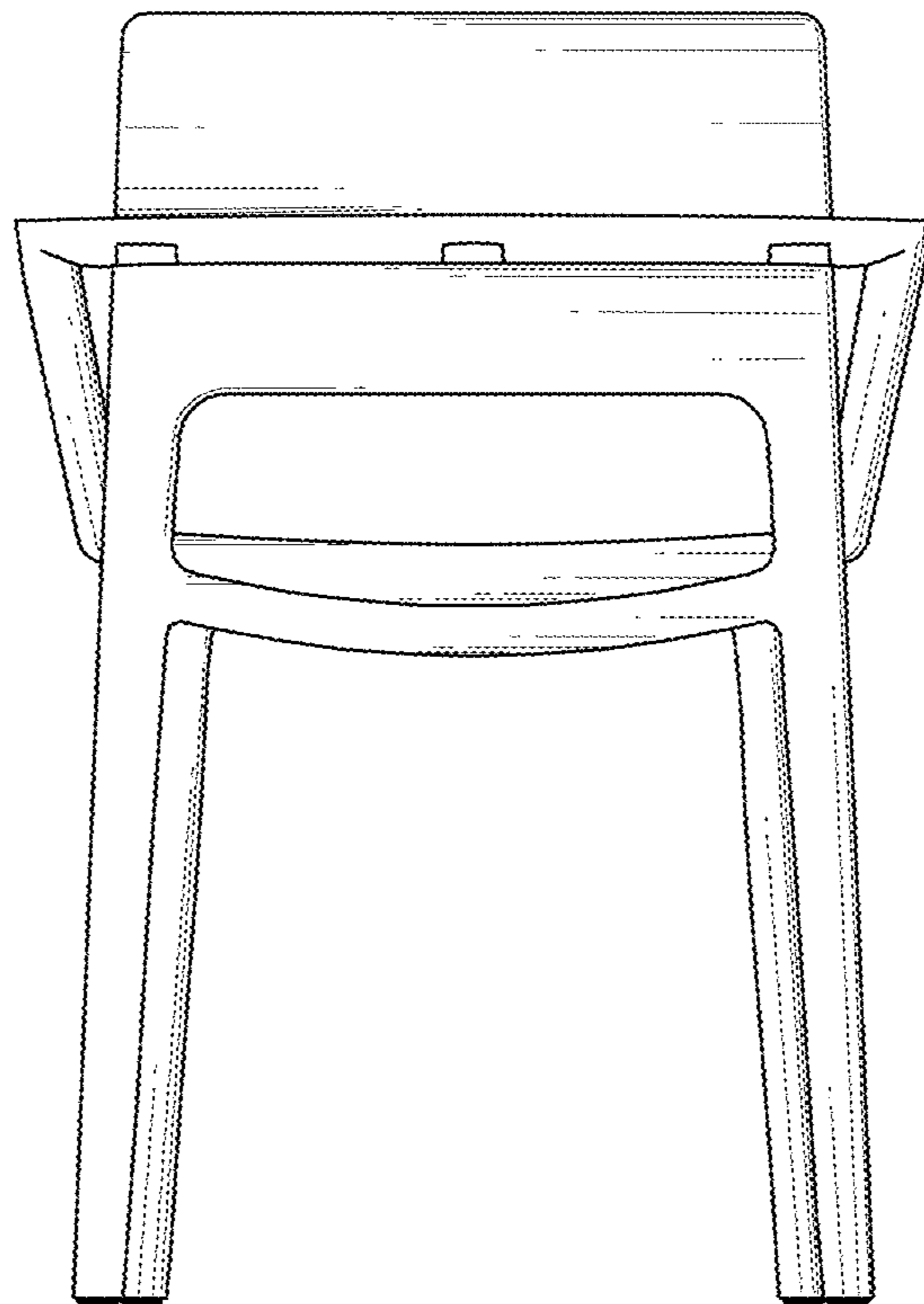


Fig. 5

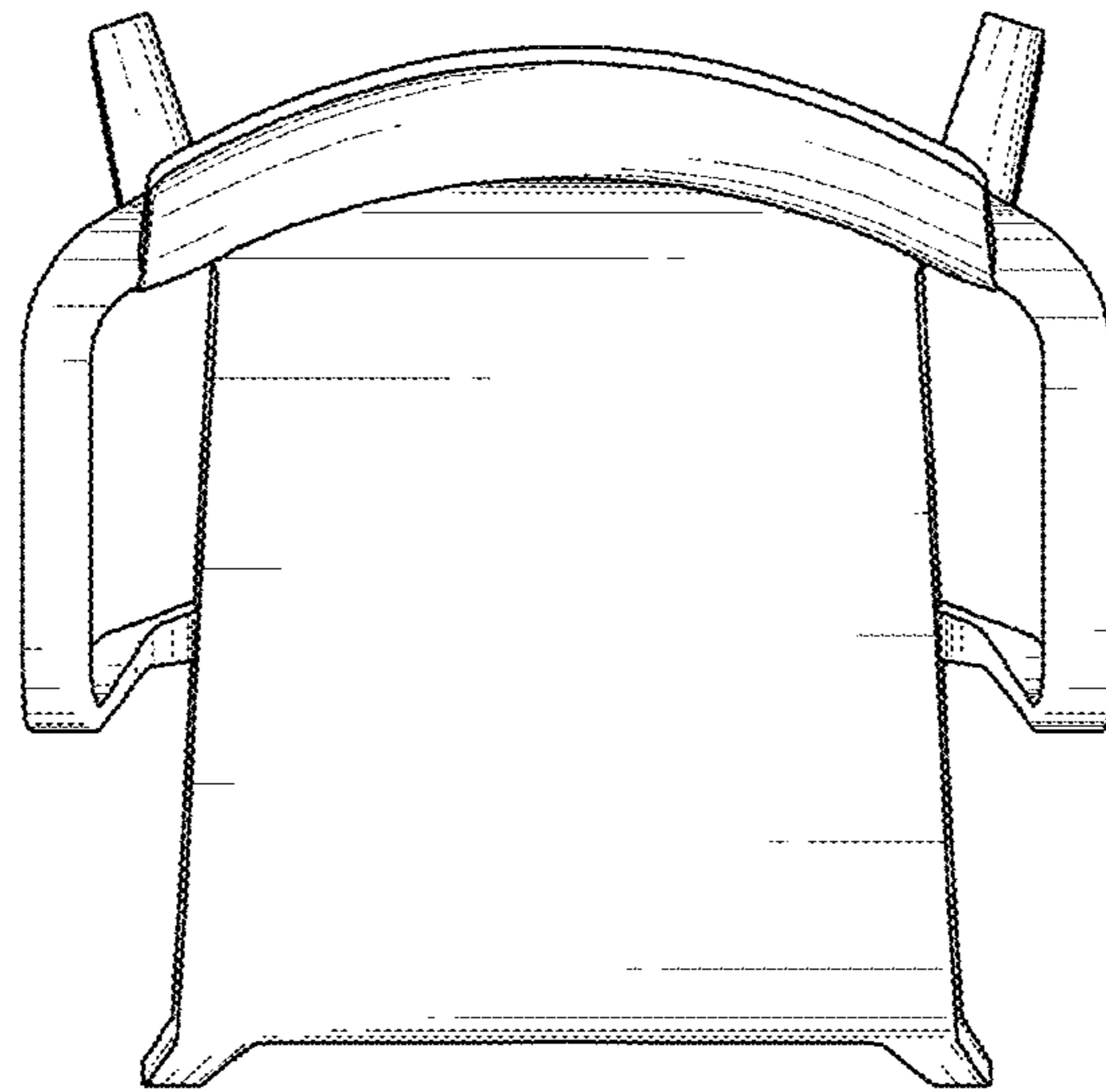


Fig. 6