



US00D693589S

(12) **United States Design Patent**  
**Irvine**

(10) **Patent No.:** **US D693,589 S**  
(45) **Date of Patent:** **\*\* Nov. 19, 2013**

(54) **CHAIR**

(75) Inventor: **James Irvine**, Treviso (IT)

(73) Assignee: **Arper S.p.A.**, Monastier di Treviso,  
Treviso (IT)

(\*\*) Term: **14 Years**

(21) Appl. No.: **29/428,435**

(22) Filed: **Jul. 31, 2012**

(30) **Foreign Application Priority Data**

Feb. 20, 2012 (WO) ..... 653931901

(51) **LOC (9) Cl.** ..... **06-01**

(52) **U.S. Cl.**

USPC ..... **D6/379**

(58) **Field of Classification Search**

USPC ..... D6/334-336, 370, 374, 375, 376, 379,  
D6/380, 716, 716.1, 716.2, 716.3, 716.4;  
297/239, 411.28, 445.1, 446.1, 446.2,  
297/451.11, 452.29

See application file for complete search history.

(56) **References Cited**

U.S. PATENT DOCUMENTS

2,642,118 A *	6/1953	Lamb	.....	297/239
D431,121 S *	9/2000	Matthew	.....	D6/379
D460,282 S *	7/2002	Starck	.....	D6/374
D475,212 S *	6/2003	Savini	.....	D6/374
D568,626 S *	5/2008	Gharabegian	.....	D6/374
D574,622 S *	8/2008	Neil	.....	D6/374
D578,790 S *	10/2008	Ciani et al.	.....	D6/380
D601,822 S *	10/2009	Neil	.....	D6/379
D658,400 S *	5/2012	Sofield	.....	D6/379

\* cited by examiner

*Primary Examiner* — Mimosa De

(74) *Attorney, Agent, or Firm* — Shoemaker and Mattare

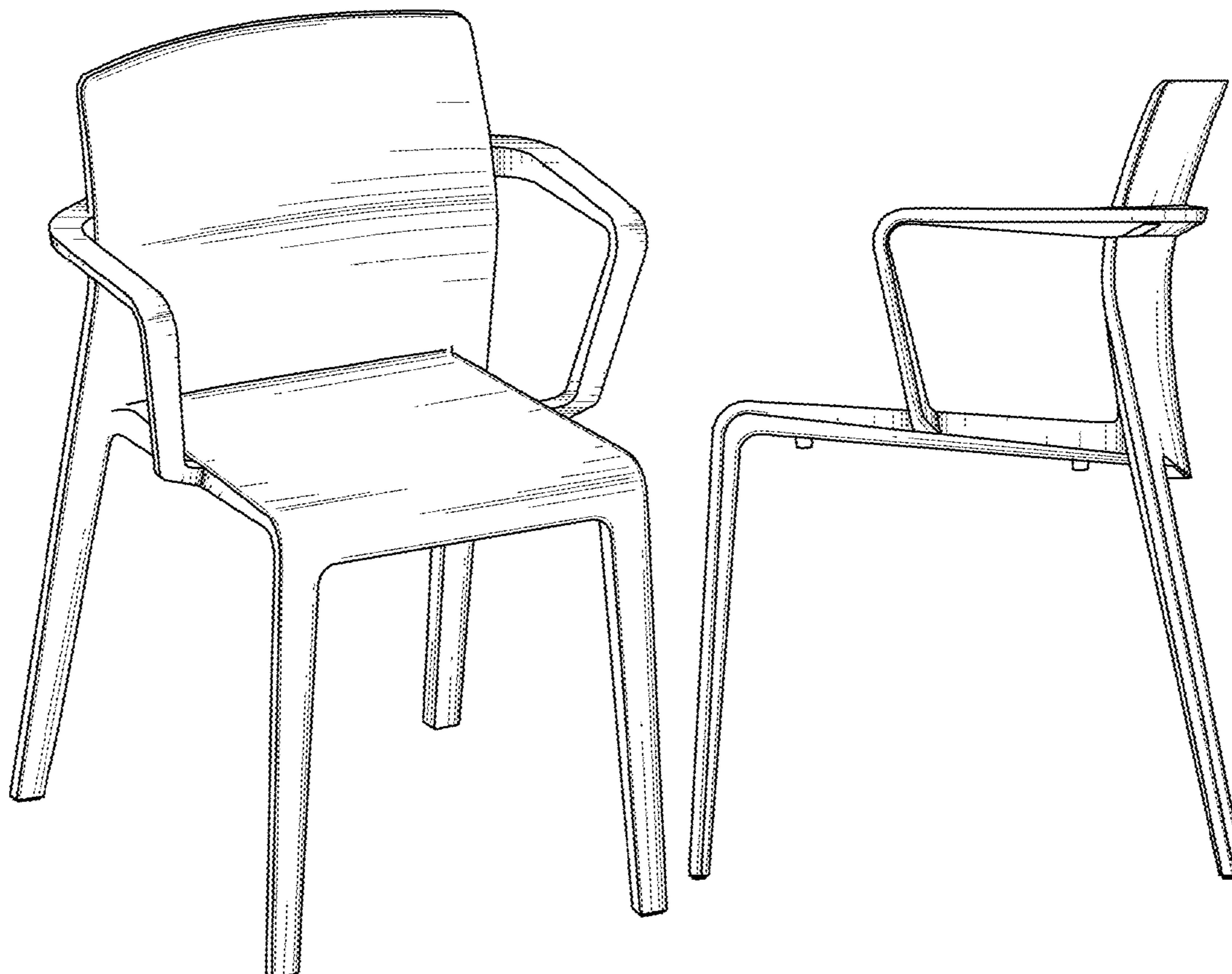
(57) **CLAIM**

The ornamental design for a chair, as shown and described.

**DESCRIPTION**

FIG. 1 is a perspective view of a chair, showing my new design from the front, top and right side; FIG. 2 is a left side view thereof; FIG. 3 is a right side view thereof; FIG. 4 is a front elevational view thereof; FIG. 5 is a rear elevational view thereof; and, FIG. 6 is a top plan view thereof.

**1 Claim, 6 Drawing Sheets**



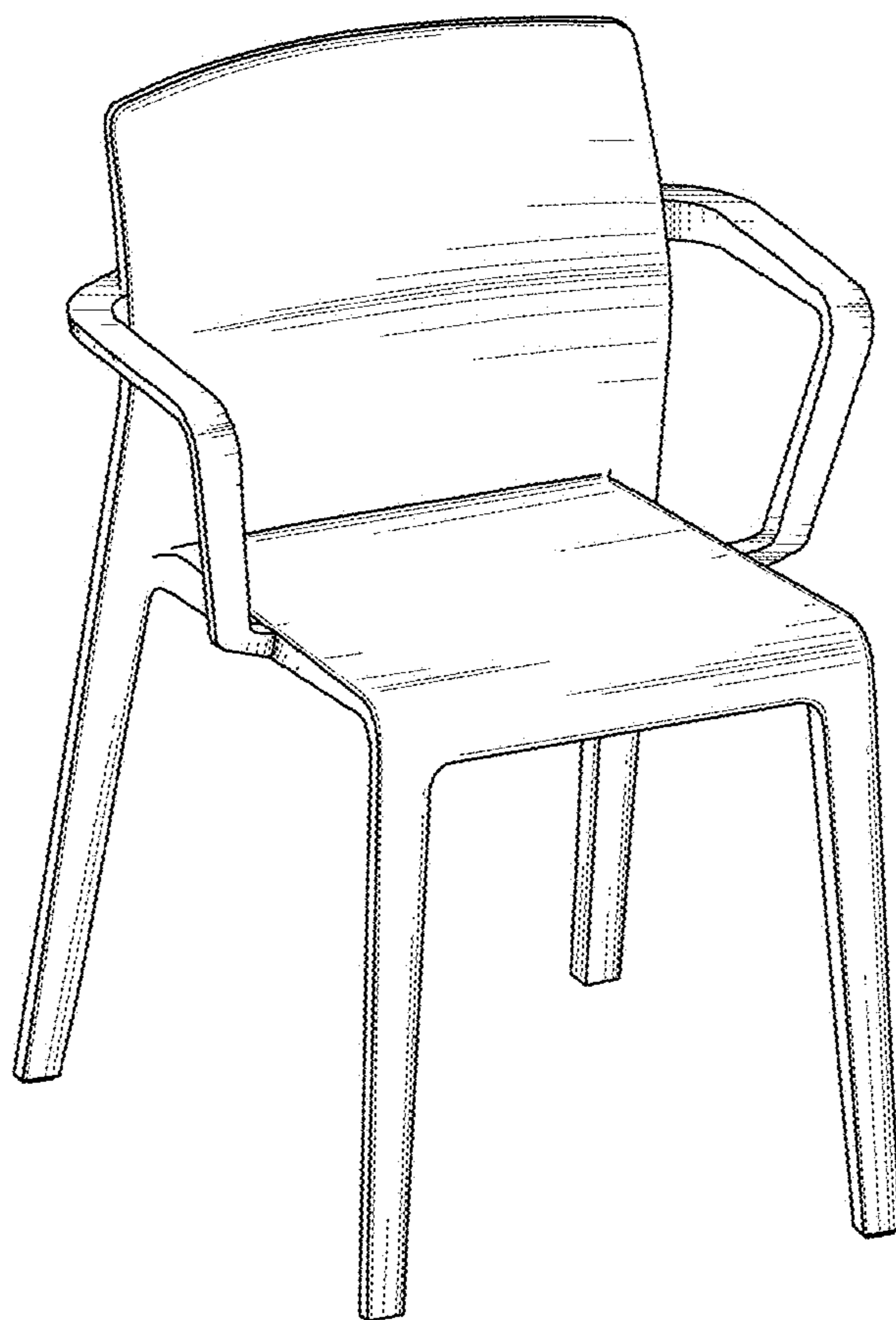


Fig. 1

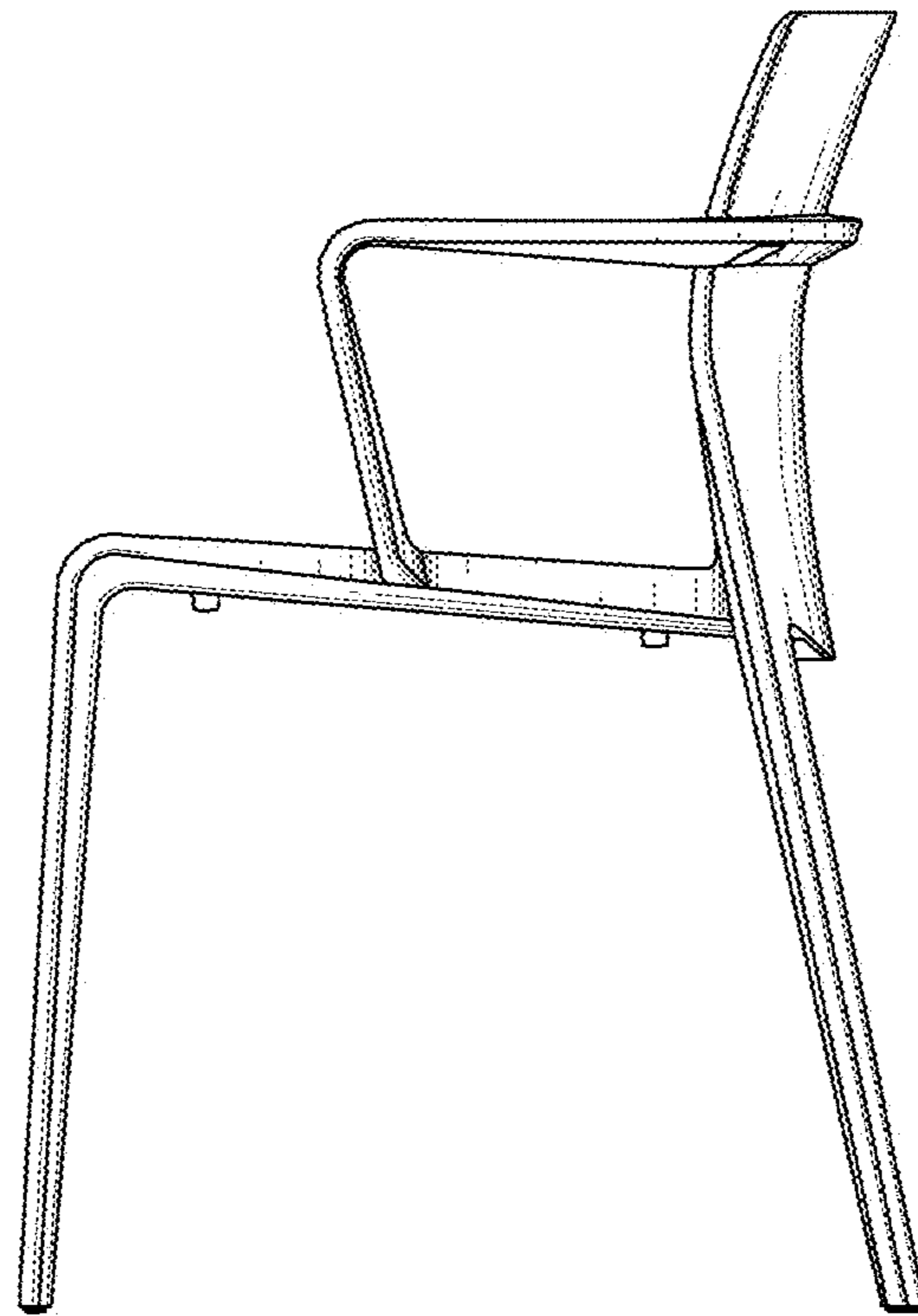


Fig. 2

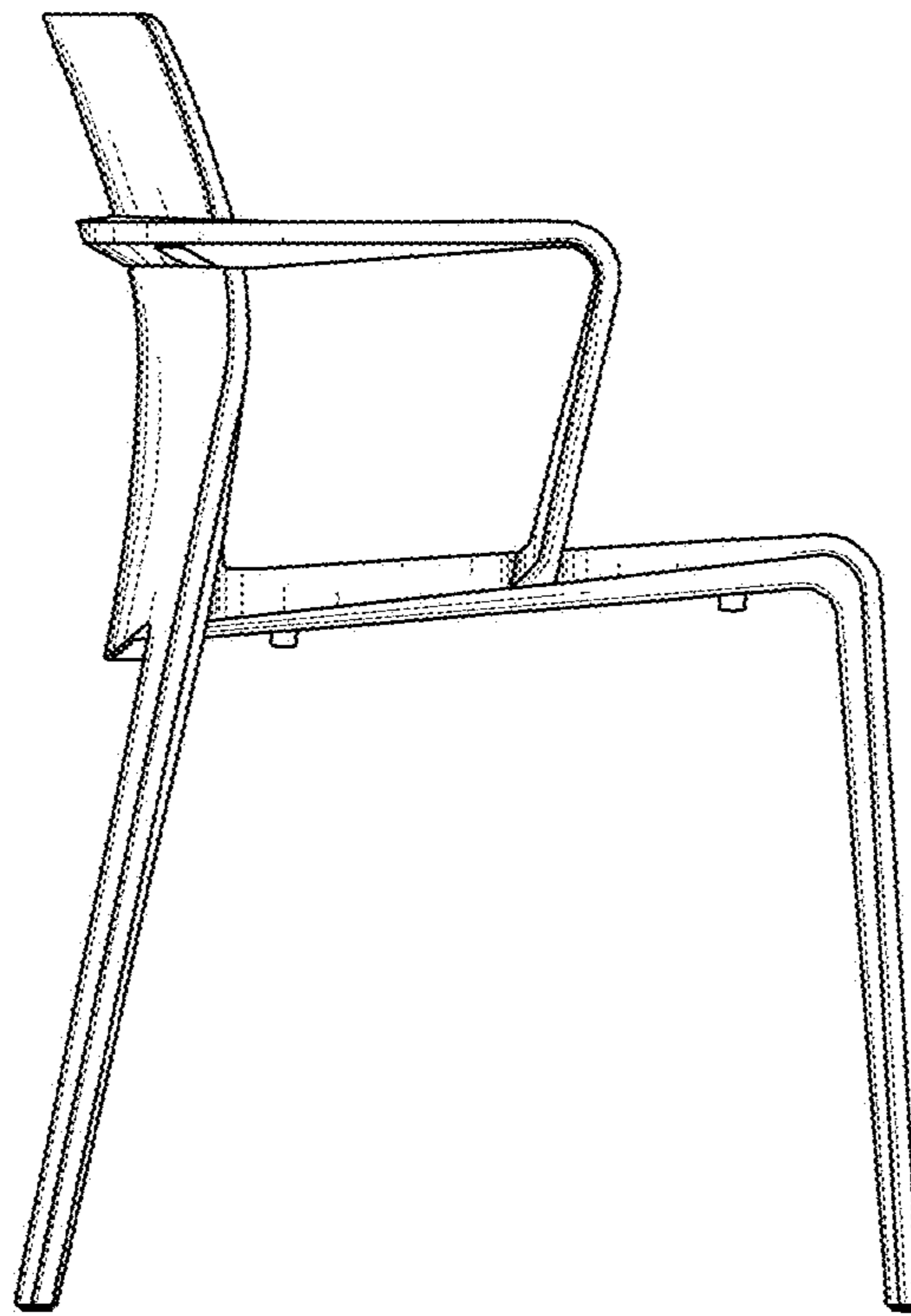


Fig. 3

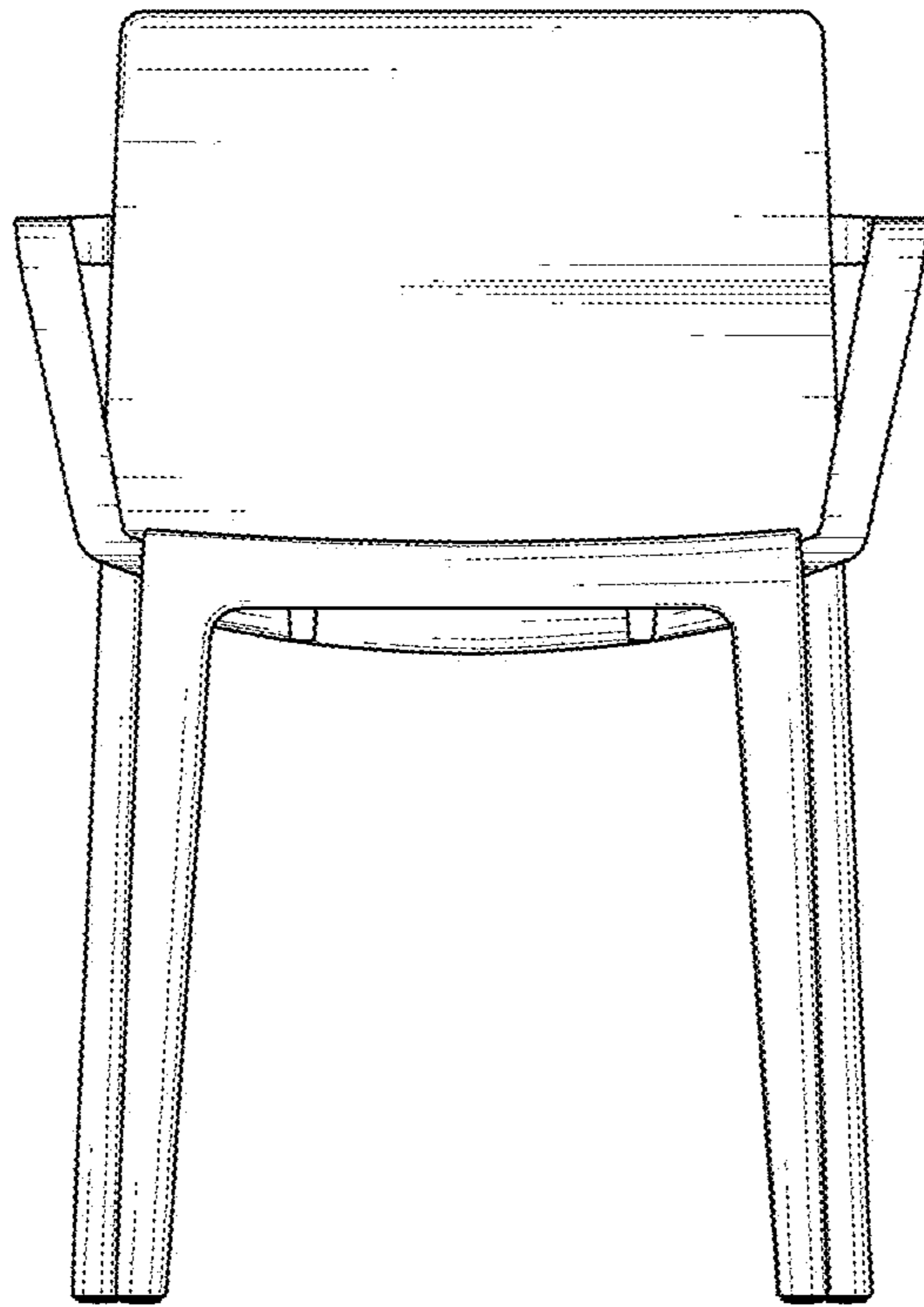


Fig. 4

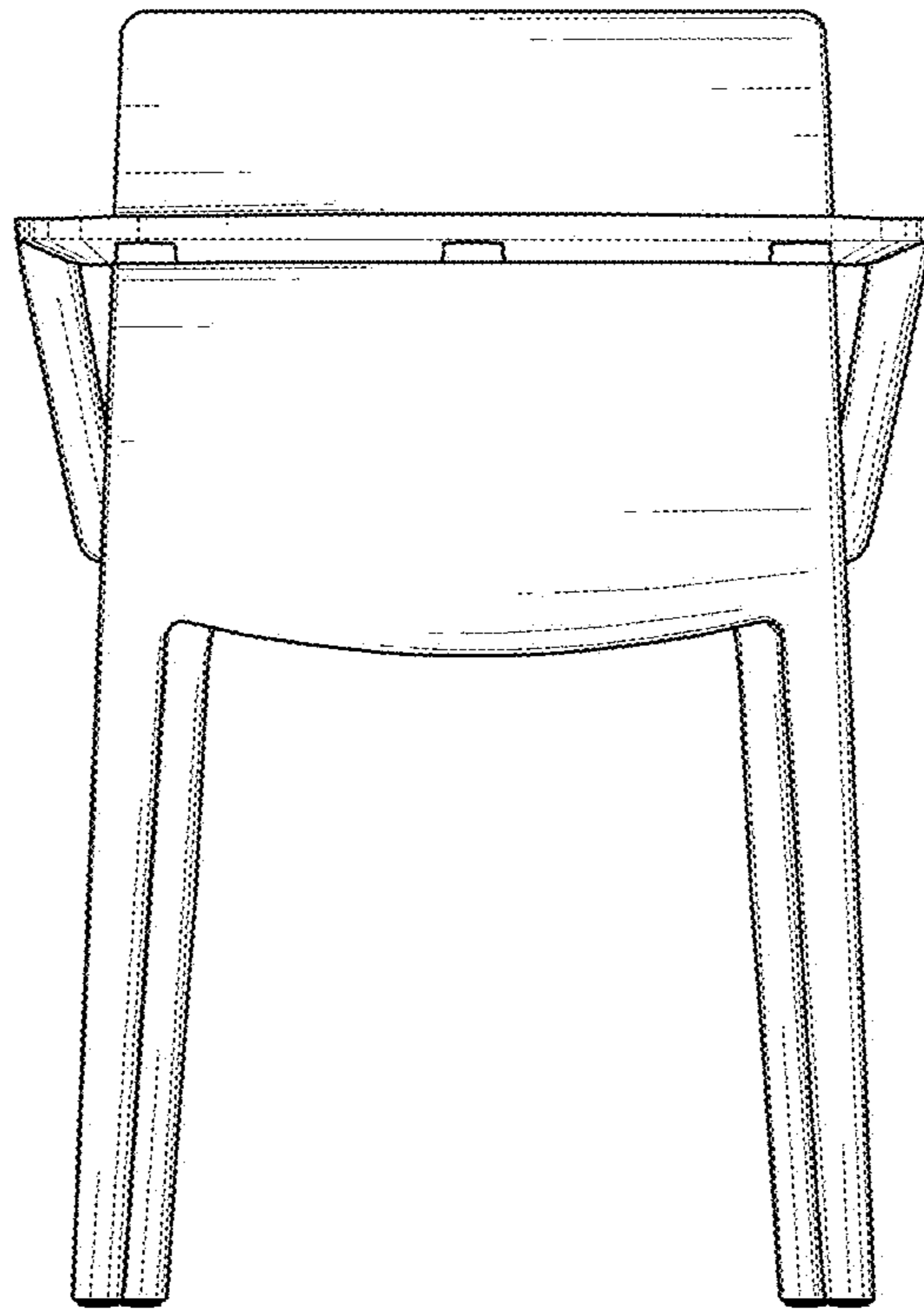


Fig. 5

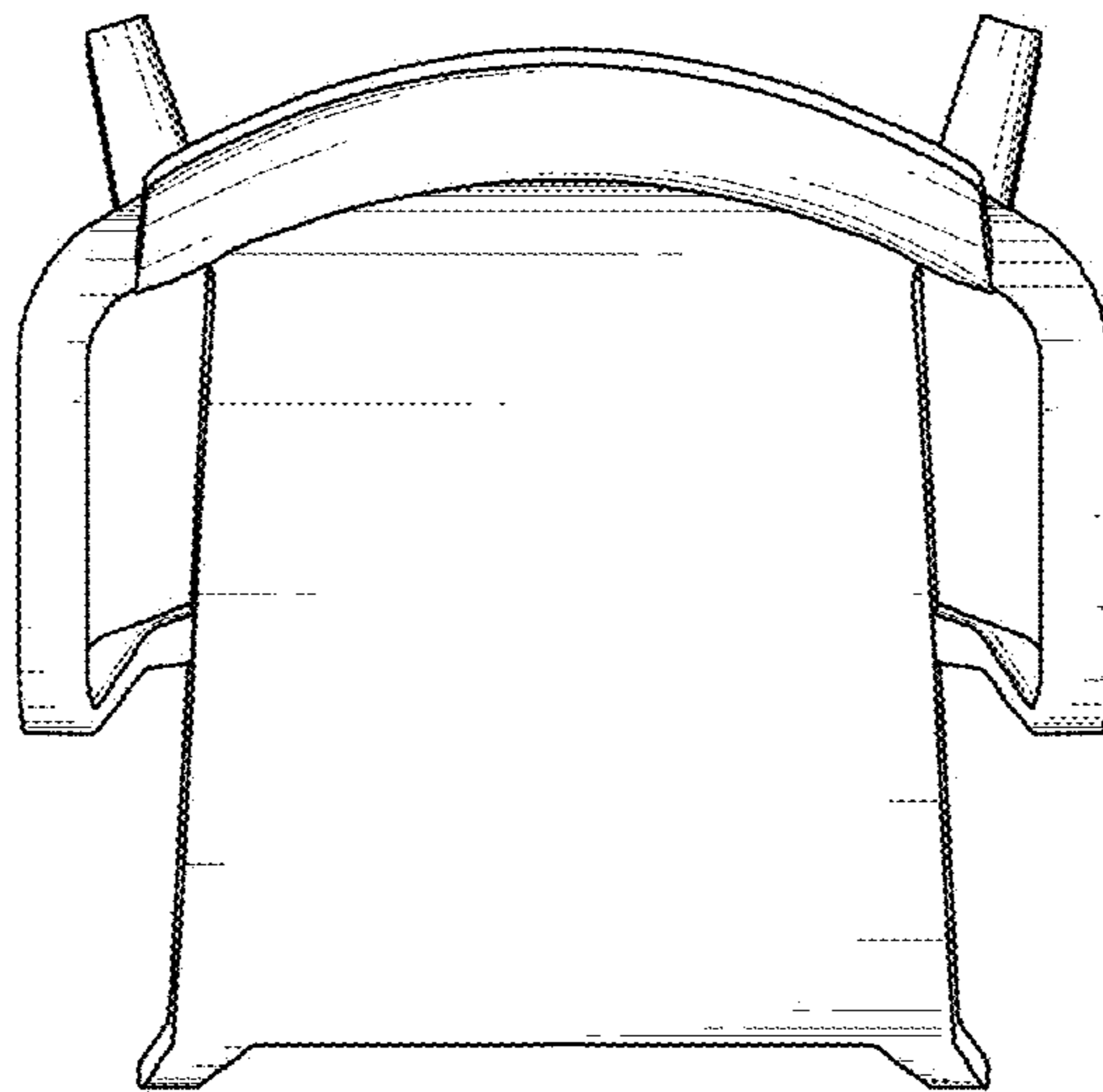


Fig. 6