



US00D693587S

(12) **United States Design Patent**
Piretti

(10) **Patent No.:** **US D693,587 S**

(45) **Date of Patent:** **** Nov. 19, 2013**

(54) **FOLDING CHAIR**

(71) Applicant: **Pro-Cord S.p.A**, Bologna (IT)

(72) Inventor: **Giancarlo Piretti**, Bologna (IT)

(73) Assignee: **Pro-Cord S.p.A.**, Bologna (IT)

(**) Term: **14 Years**

(21) Appl. No.: **29/435,708**

(22) Filed: **Oct. 26, 2012**

(30) **Foreign Application Priority Data**

Apr. 27, 2012 (EM) 002034538

(51) **LOC (9) Cl.** **06-01**

(52) **U.S. Cl.**
USPC **D6/368**

(58) **Field of Classification Search**

USPC D6/334–336, 344–353, 360–381, 388,
D6/403, 491–502, 692, 708, 716,
D6/716.2–716.4; 280/649; 297/16.1–16.2,
297/17, 45–48, 129, 173, 188.08, 217.1,
297/228.12, 239, 256.16, 271.6,
297/284.4–284.5, 291, 297, 381, 411.2,
297/411.27–411.29, 411.43, 423.1, 423.12,
297/440.11, 440.15, 440.24, 448.1, 451.4,
297/452.13, 452.19, 452.21, 452.27,
297/452.29, 452.3, 452.41, 452.56, 452.64

See application file for complete search history.

(56) **References Cited**

U.S. PATENT DOCUMENTS

1,580,557 A * 4/1926 McGrew 297/45
2,074,998 A * 3/1937 Kaufman 297/48
2,096,237 A * 10/1937 Frey 297/45

D193,336 S * 8/1962 Batie et. al. D6/336
3,453,022 A * 7/1969 Lecuyer 297/46
4,105,244 A * 8/1978 Colby 297/45
4,595,232 A * 6/1986 Glenn et al. 297/17
D286,710 S * 11/1986 Gasser D6/368
4,824,167 A * 4/1989 King 297/129
D376,484 S * 12/1996 Gregory D6/368
5,709,428 A * 1/1998 Huggins 297/16.2
6,000,752 A * 12/1999 Shyr 297/188.08
6,106,056 A * 8/2000 Wegner 297/16.1
D438,719 S * 3/2001 Ford, Jr. D6/336
6,247,748 B1 * 6/2001 Zheng 297/16.2
6,364,411 B1 * 4/2002 Zheng 297/173
D459,602 S * 7/2002 Kreiss D6/368
D461,326 S * 8/2002 Bouroullec et al. D6/368
6,499,804 B1 * 12/2002 Wu 297/381
6,669,280 B1 * 12/2003 Wegner 297/16.2
6,752,414 B1 * 6/2004 Waldron et al. 280/649
D529,728 S * 10/2006 Le Gal D6/368
D531,825 S * 11/2006 Jenkins et al. D6/335
D572,925 S * 7/2008 Carrere D6/368
D608,559 S * 1/2010 Linder D6/368
D651,011 S * 12/2011 Massaud D6/368

* cited by examiner

Primary Examiner — Ricky Pham

(74) *Attorney, Agent, or Firm* — Patterson & Sheridan,
L.L.P.

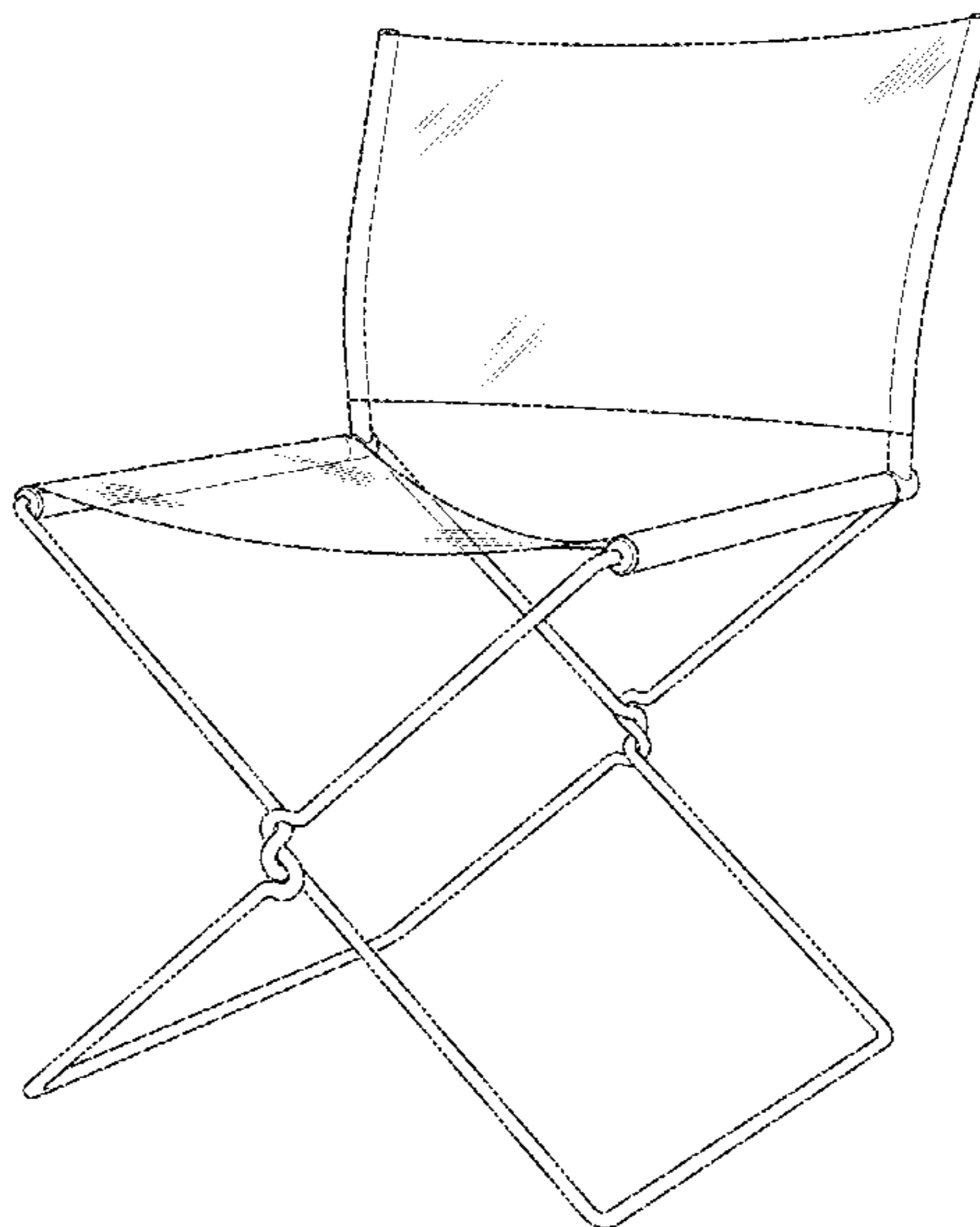
(57) **CLAIM**

The ornamental design for a folding chair, as shown and described.

DESCRIPTION

FIG. 1 is a perspective view of a folding chair in one position showing my new design;
FIG. 2 is a front elevational view thereof;
FIG. 3 is a perspective view thereof in another position; and,
FIG. 4 is a front elevational view thereof.

1 Claim, 4 Drawing Sheets



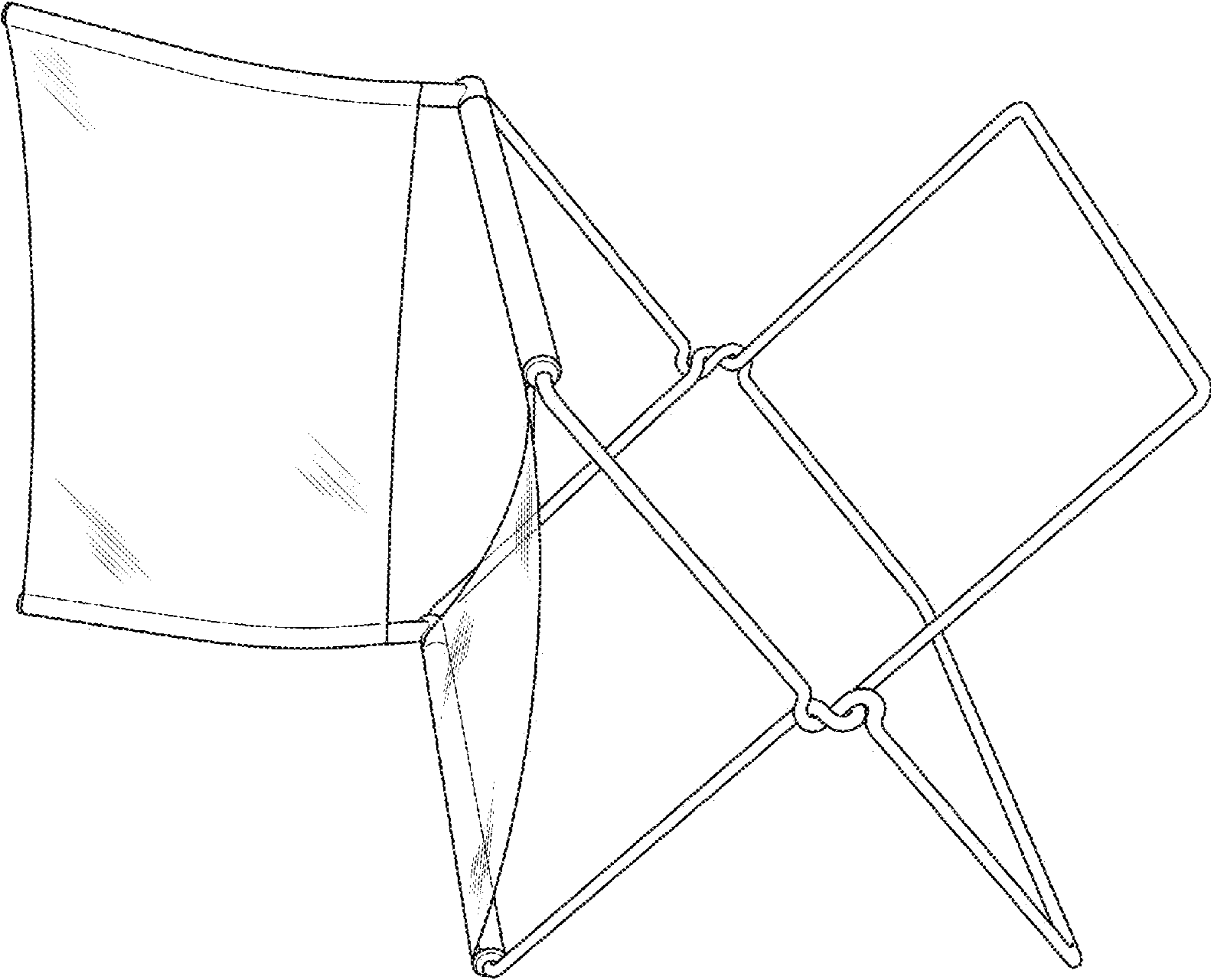


FIG. 1

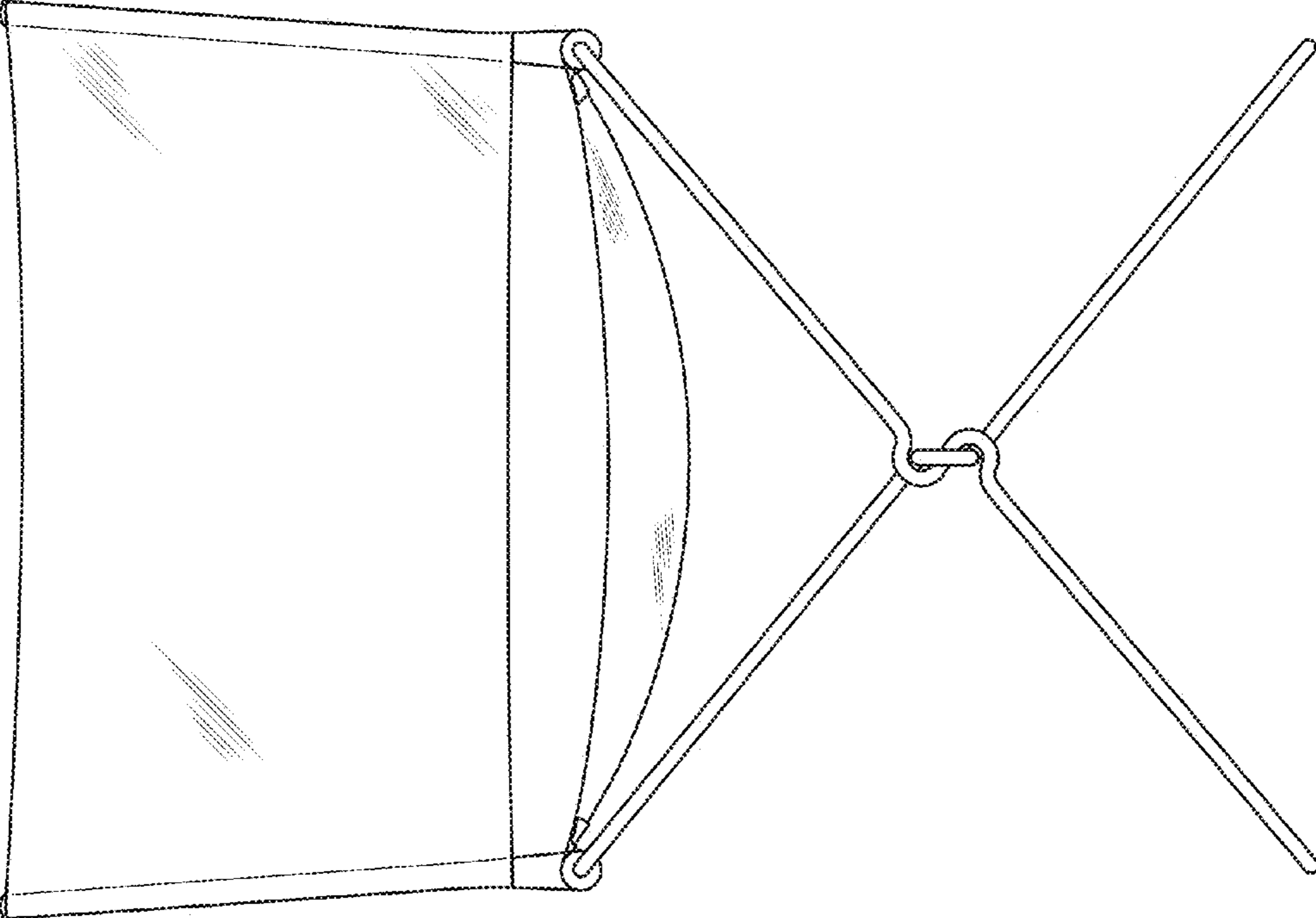


FIG. 2

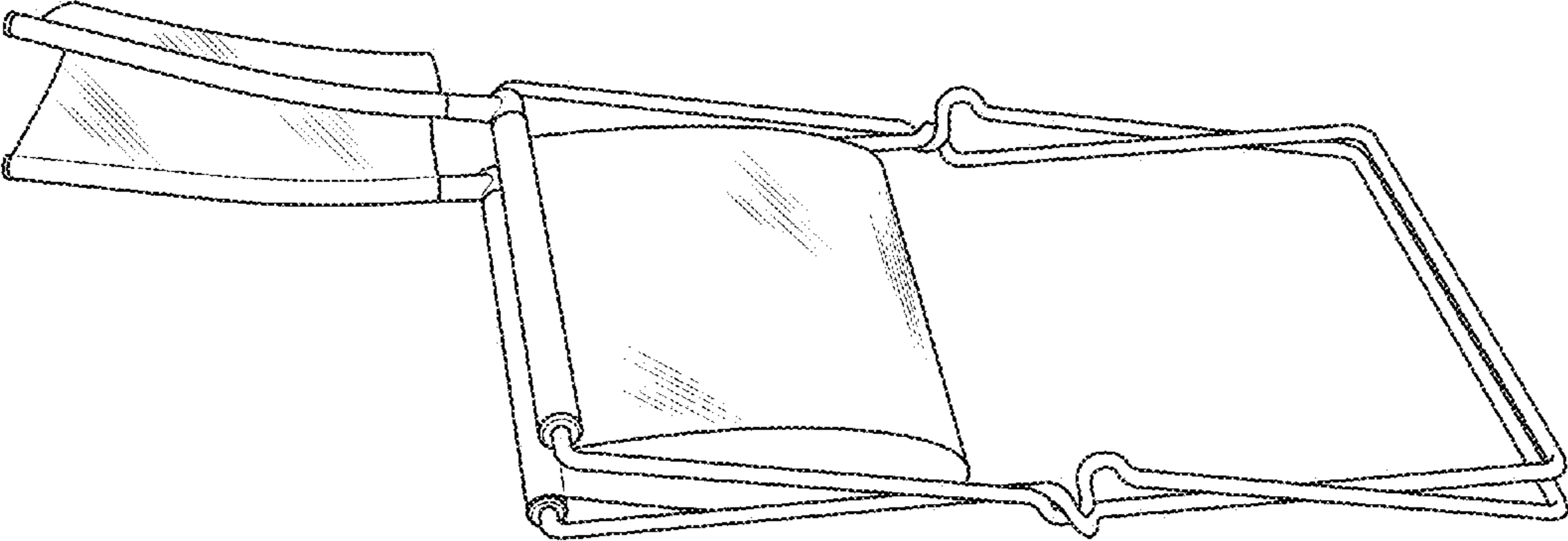


FIG. 3

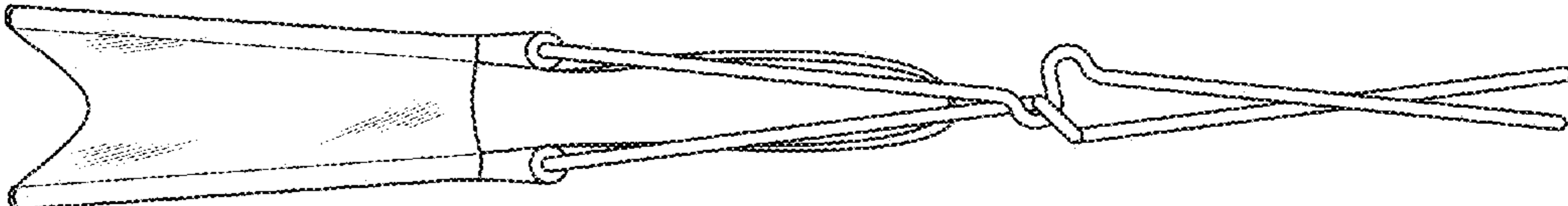


FIG. 4