

US00D693586S

(12) **United States Design Patent**  
**Lenterman**

(10) **Patent No.:** **US D693,586 S**  
(45) **Date of Patent:** **\*\* Nov. 19, 2013**

(54) **BAR STOOL**  
(71) Applicant: **Intro-Tech Automotive, Inc.**, Chino, CA  
(US)

D587,476 S \* 3/2009 Lenterman ..... D6/366  
D598,207 S \* 8/2009 Smit ..... D6/335  
D612,623 S \* 3/2010 Smit ..... D6/366  
D612,641 S \* 3/2010 Smit ..... D6/716  
D665,183 S \* 8/2012 Welsh ..... D6/360

(72) Inventor: **Henri B. Lenterman**, Chino Hills, AZ  
(US)

\* cited by examiner

(73) Assignee: **Intro-Tech Automotive, Inc.**, Chino, CA  
(US)

*Primary Examiner* — Mimoso De

(74) *Attorney, Agent, or Firm* — Intellectual Property Law  
Offices of Joel Voelzke, APC

(\*\*) Term: **14 Years**

(57) **CLAIM**

The ornamental design of a bar stool, as shown and described.

(21) Appl. No.: **29/434,688**

**DESCRIPTION**

(22) Filed: **Oct. 16, 2012**

This application is related to U.S. patent application Ser Nos. 29/434,696 and 29/434,767 which are filed concurrently herewith.

(51) **LOC (9) Cl.** ..... **06-01**

(52) **U.S. Cl.**  
USPC ..... **D6/366**

FIG. 1 is an oblique view of a bar stool showing my new design;

(58) **Field of Classification Search**

USPC ..... D6/334–336, 356, 360, 364, 365, 366,  
D6/367, 374, 375, 379, 380, 708.17,  
D6/708.23, 708.24, 716, 716.1, 716.2,  
D6/716.3, 716.6, 716.7; 297/344.12,  
297/344.18, 411.27, 451.4, 451.5, 452.12,  
297/452.24, 452.26, 452.34, 452.35

FIG. 2 is a front elevation view thereof;  
FIG. 3 is back elevation view thereof;

See application file for complete search history.

FIG. 4 is a side elevation view thereof;  
FIG. 5 is a side elevation view thereof, showing the side that is opposite the side shown in FIG. 4;

(56) **References Cited**

**U.S. PATENT DOCUMENTS**

D283,469 S \* 4/1986 Zimmerman ..... D6/356  
D411,690 S \* 6/1999 Kneip et al. .... D6/356  
D488,630 S \* 4/2004 McCann ..... D6/366  
D509,077 S \* 9/2005 Beermann et al. .... D6/356  
D513,894 S \* 1/2006 Juraschek ..... D6/356  
D532,211 S \* 11/2006 Su ..... D6/366  
D542,547 S \* 5/2007 Su ..... D6/366  
D549,475 S \* 8/2007 Su ..... D6/366

FIG. 6 is a top plan view thereof;  
FIG. 7 is an oblique view of an alternative embodiment showing my new design;

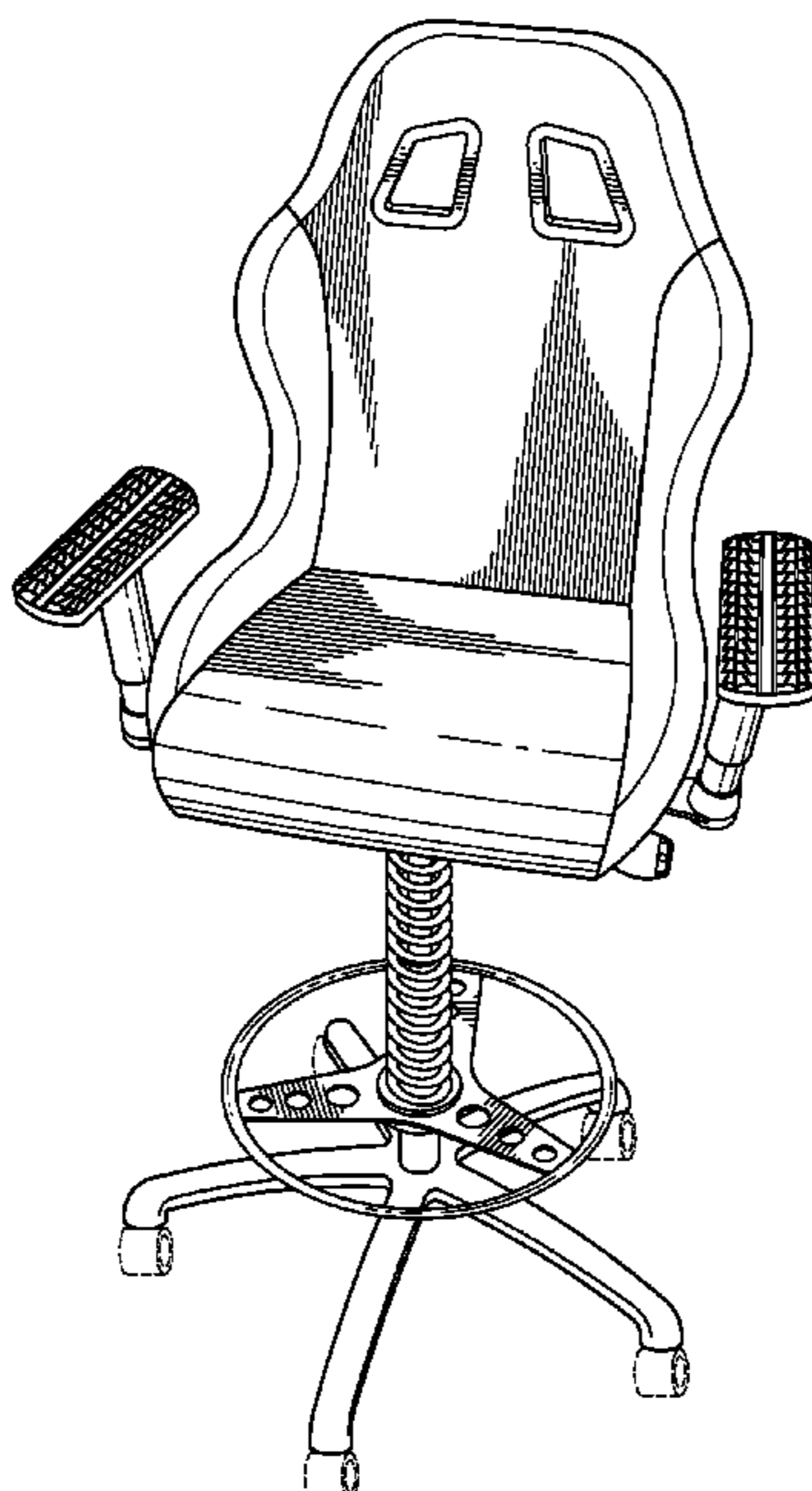
FIG. 8 is a front elevation view thereof;  
FIG. 9 is back elevation view thereof;

FIG. 10 is a side elevation view thereof;  
FIG. 11 is a side elevation view thereof, showing the side that is opposite the side shown in FIG. 10; and,

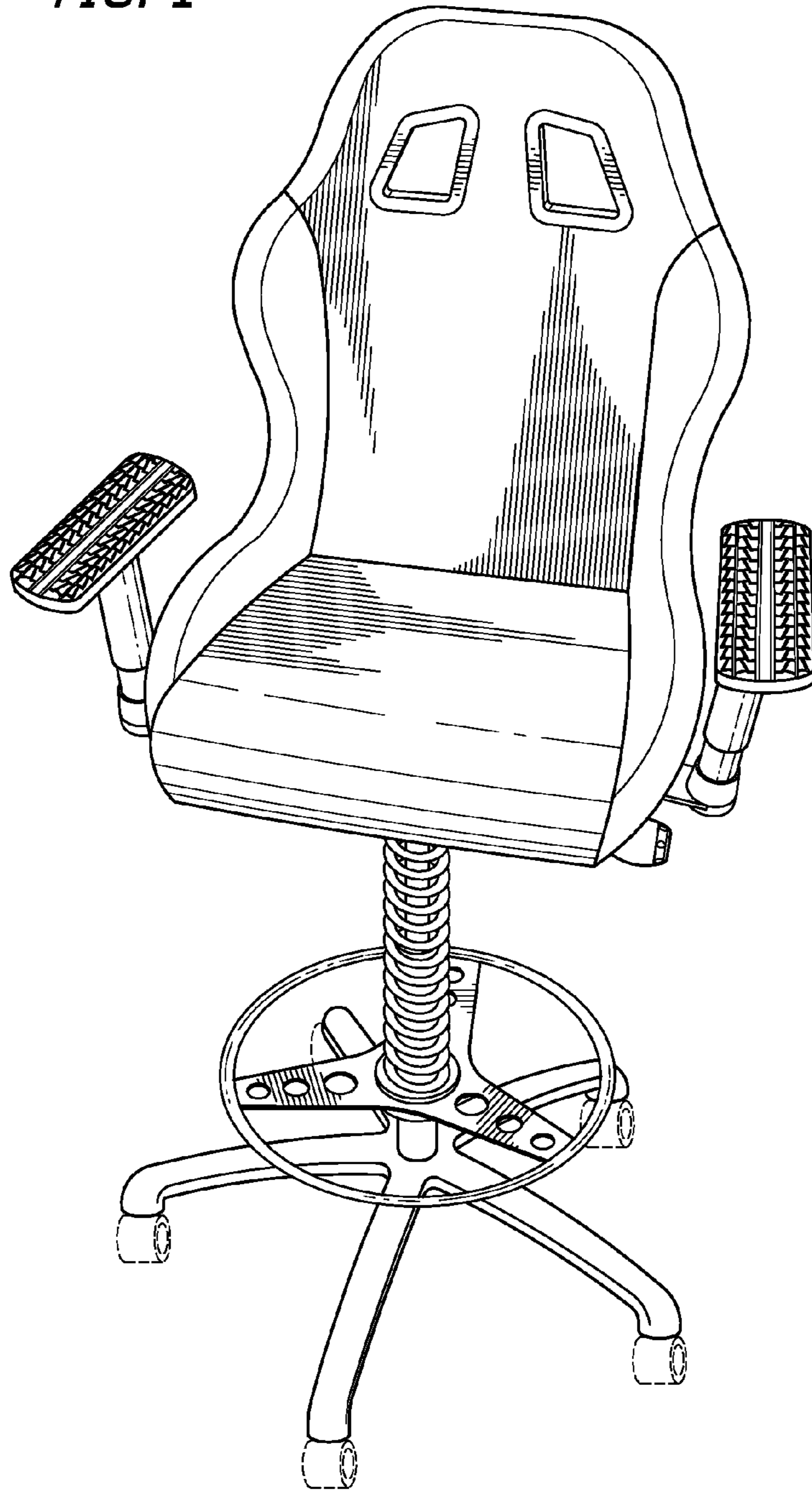
FIG. 12 is a top plan view thereof.

The broken line showing of chair parts in FIGS. 6-12 is included for the purpose of illustrating environmental structure and forms no part of the claimed design of FIGS. 6-12.

**1 Claim, 12 Drawing Sheets**



*FIG. 1*



*FIG. 2*

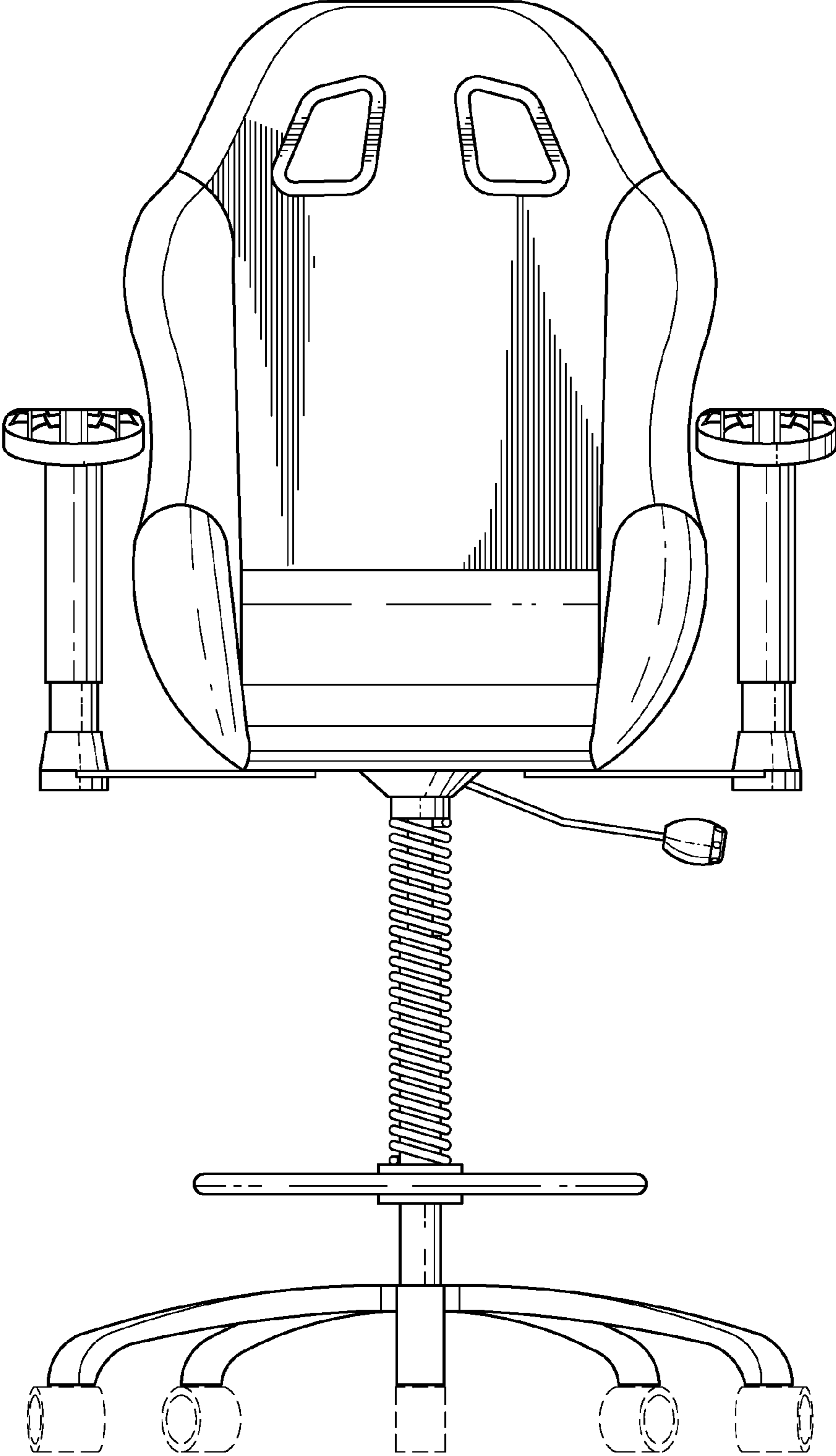
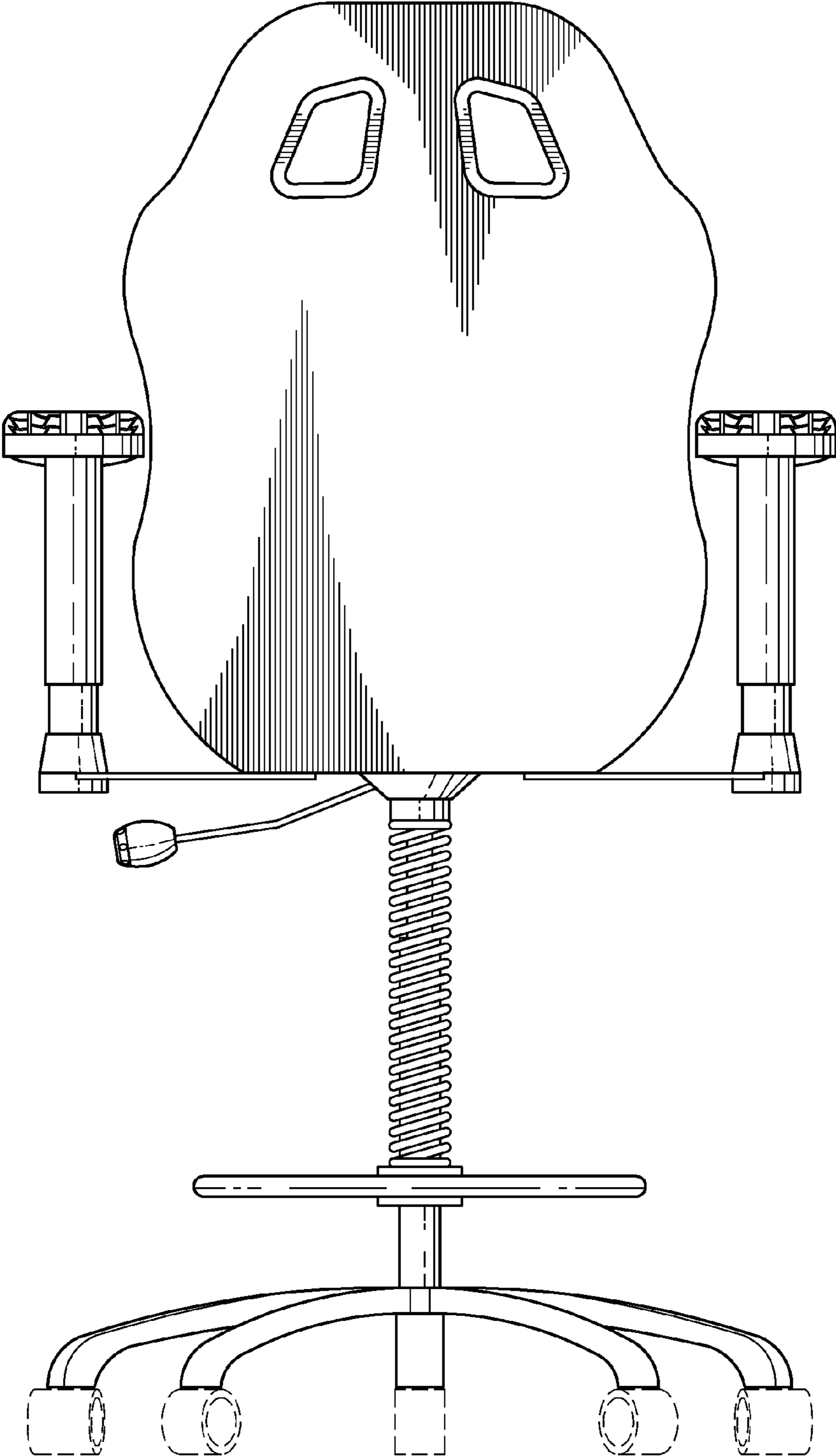
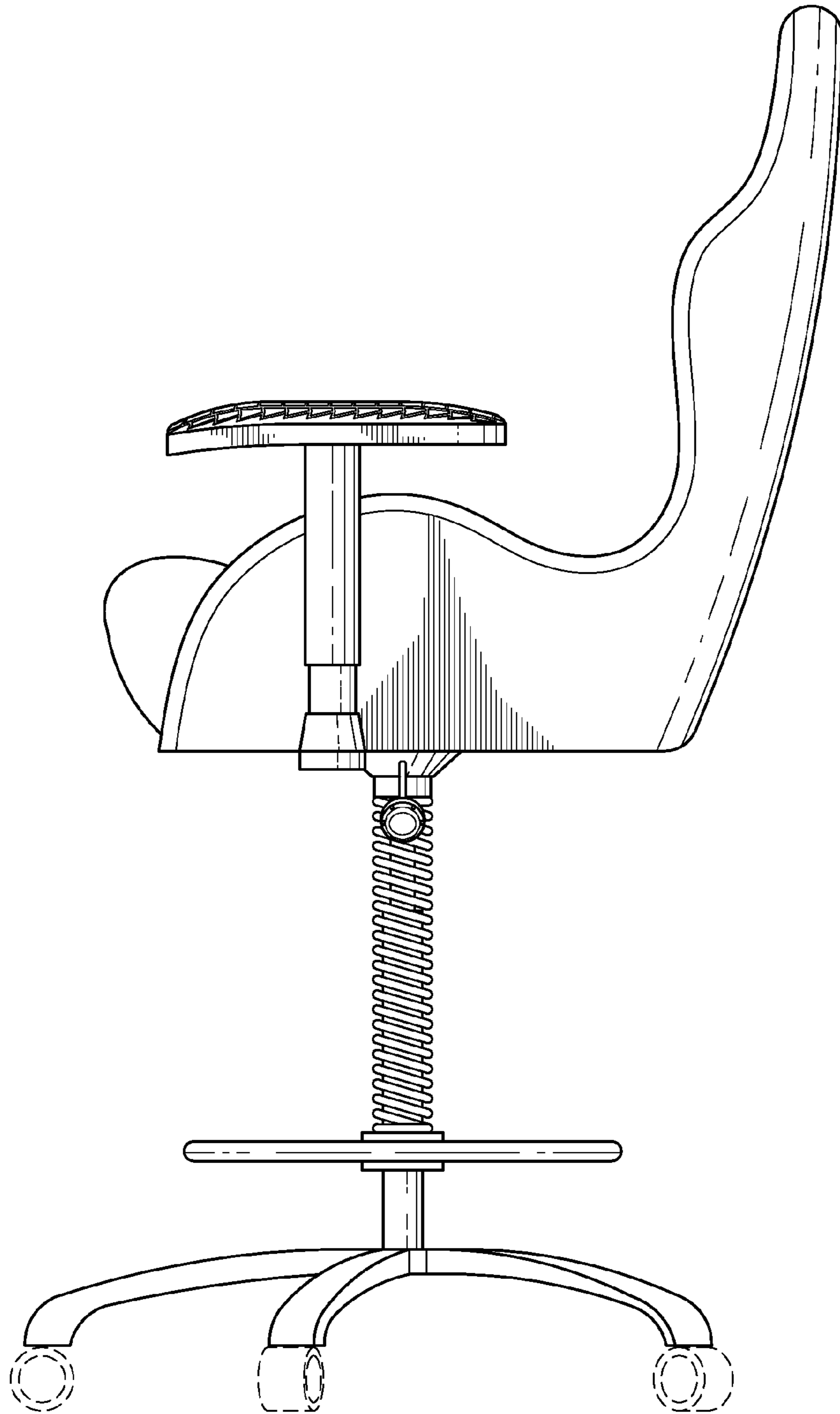


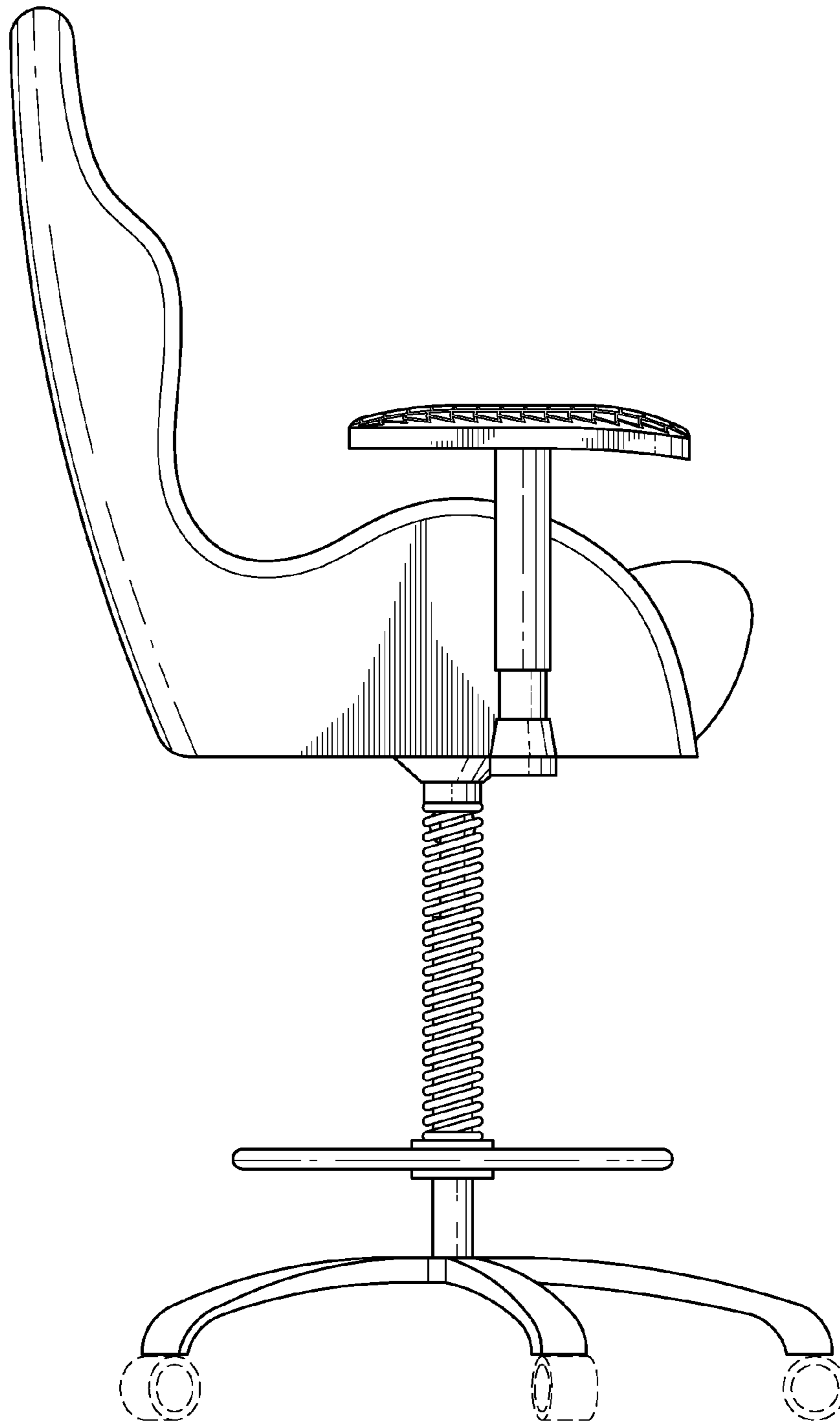
FIG. 3



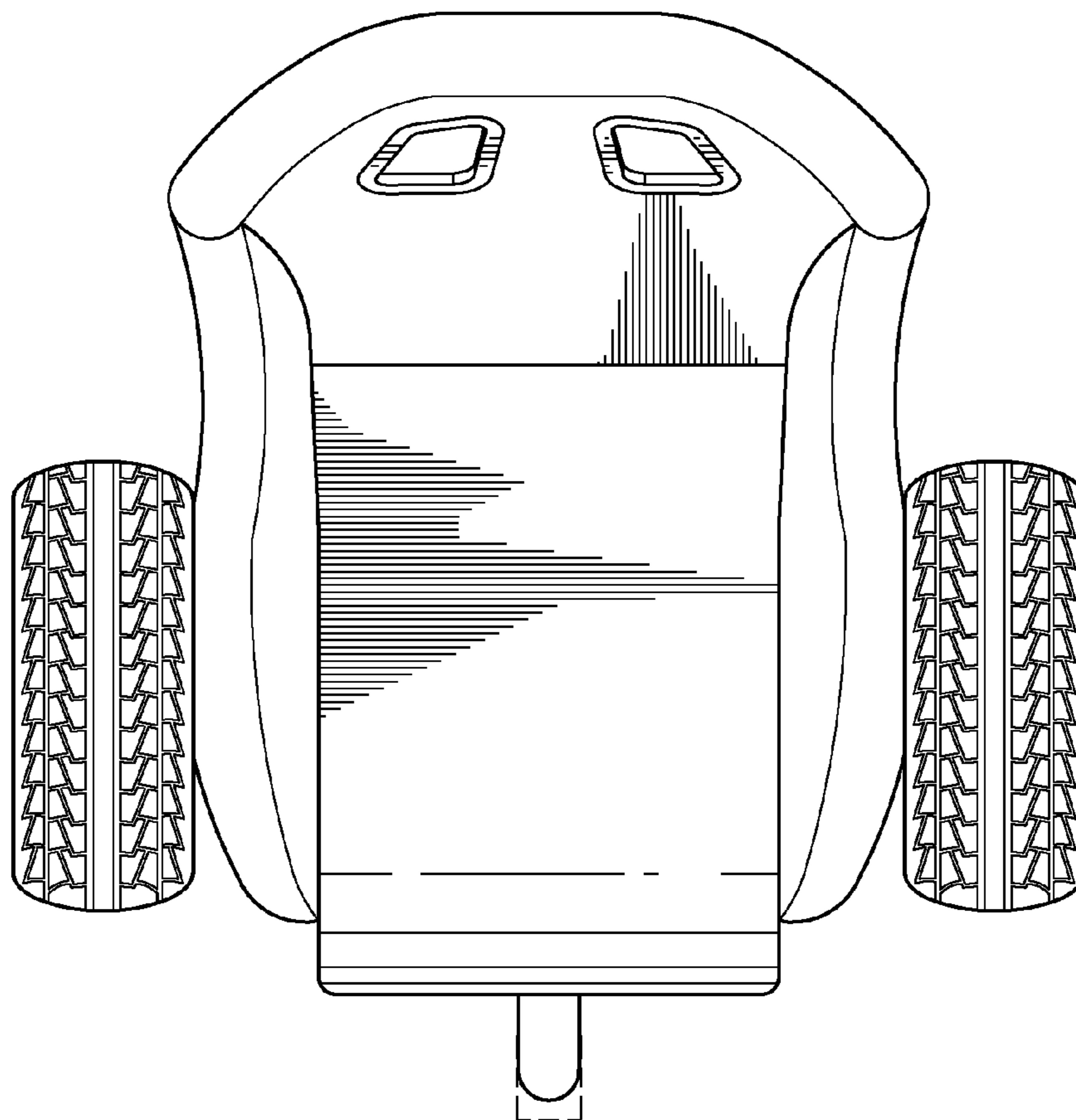
*FIG. 4*



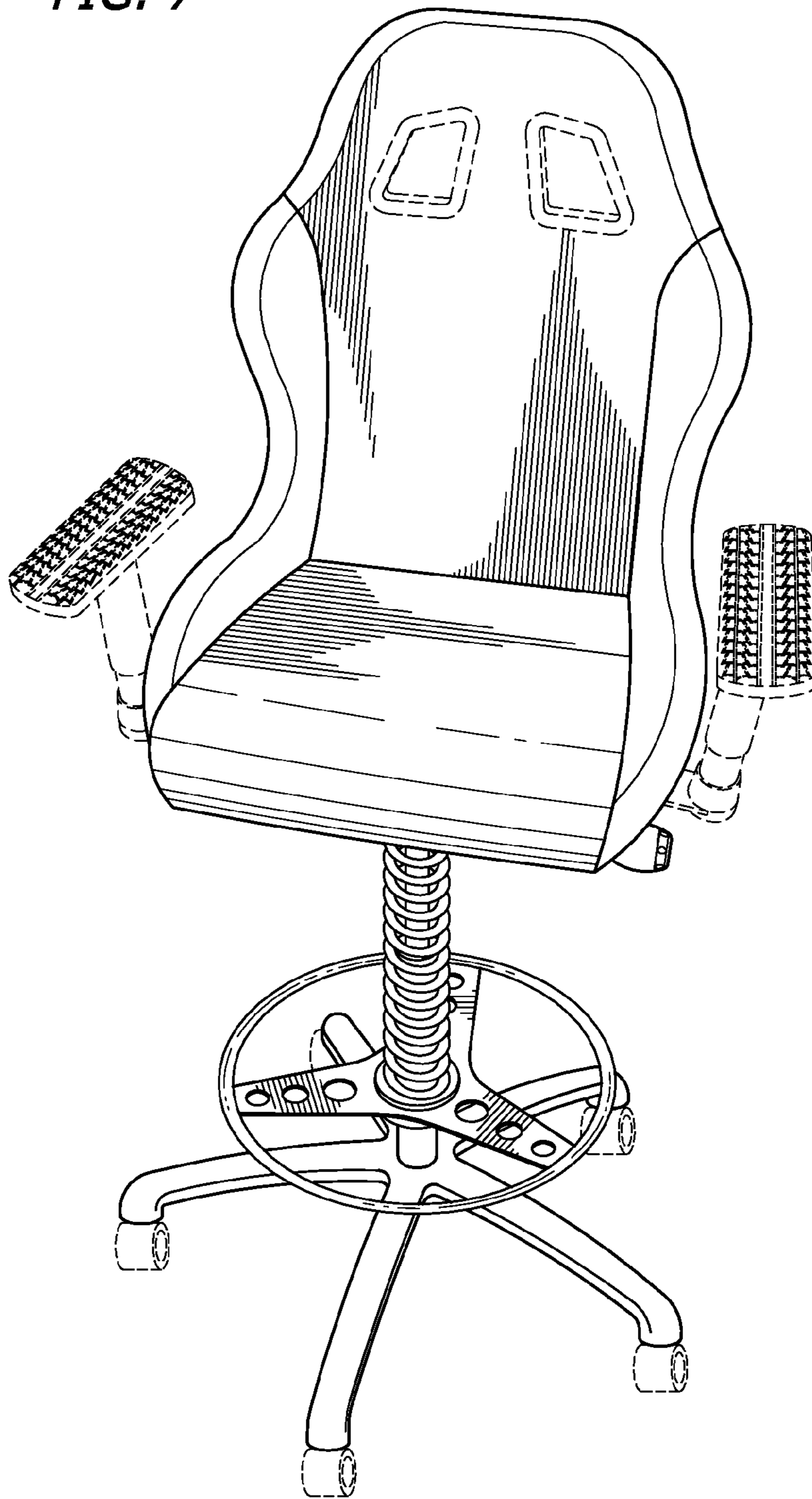
*FIG. 5*



*FIG. 6*



*FIG. 7*





*FIG. 8*

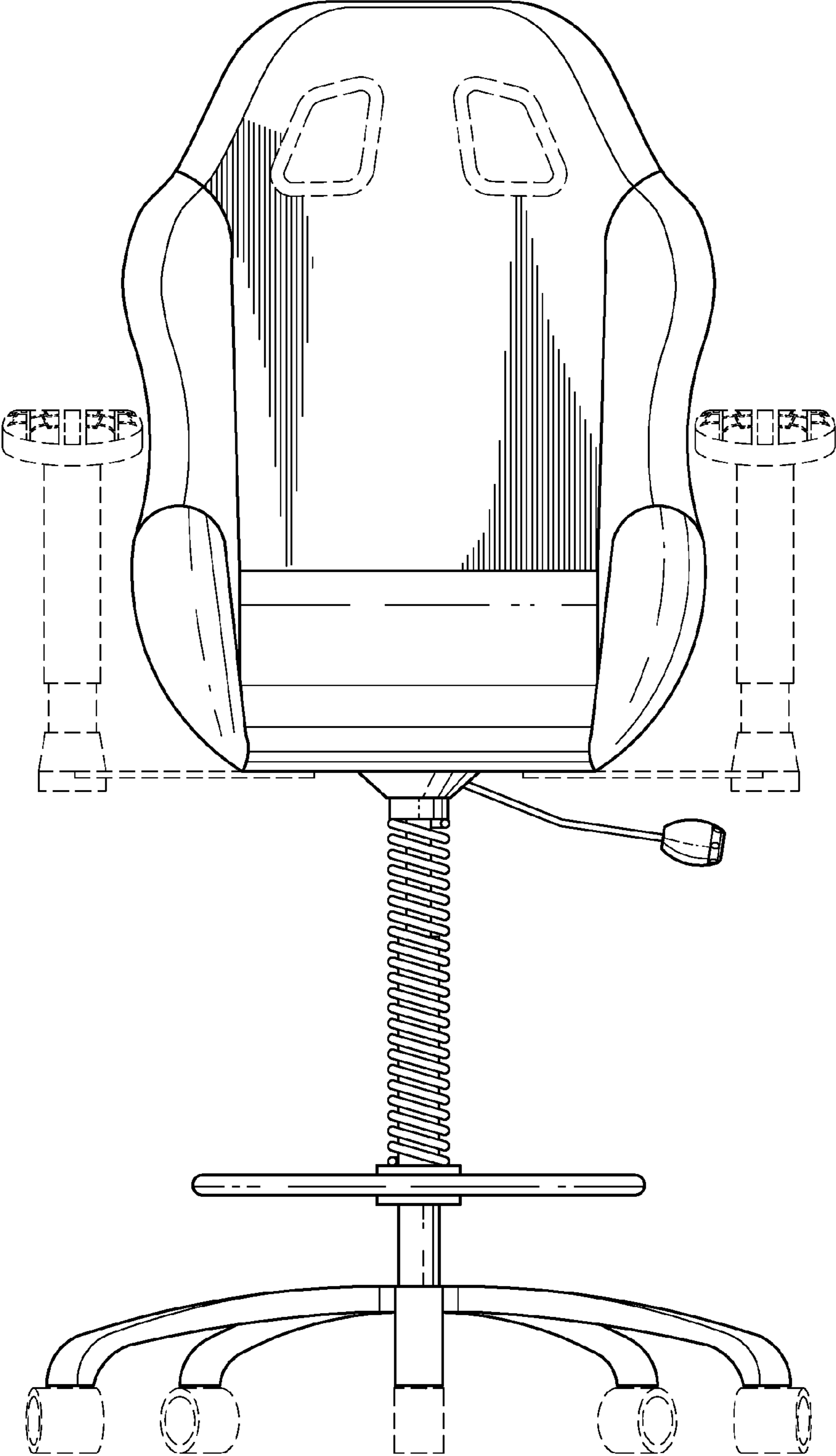
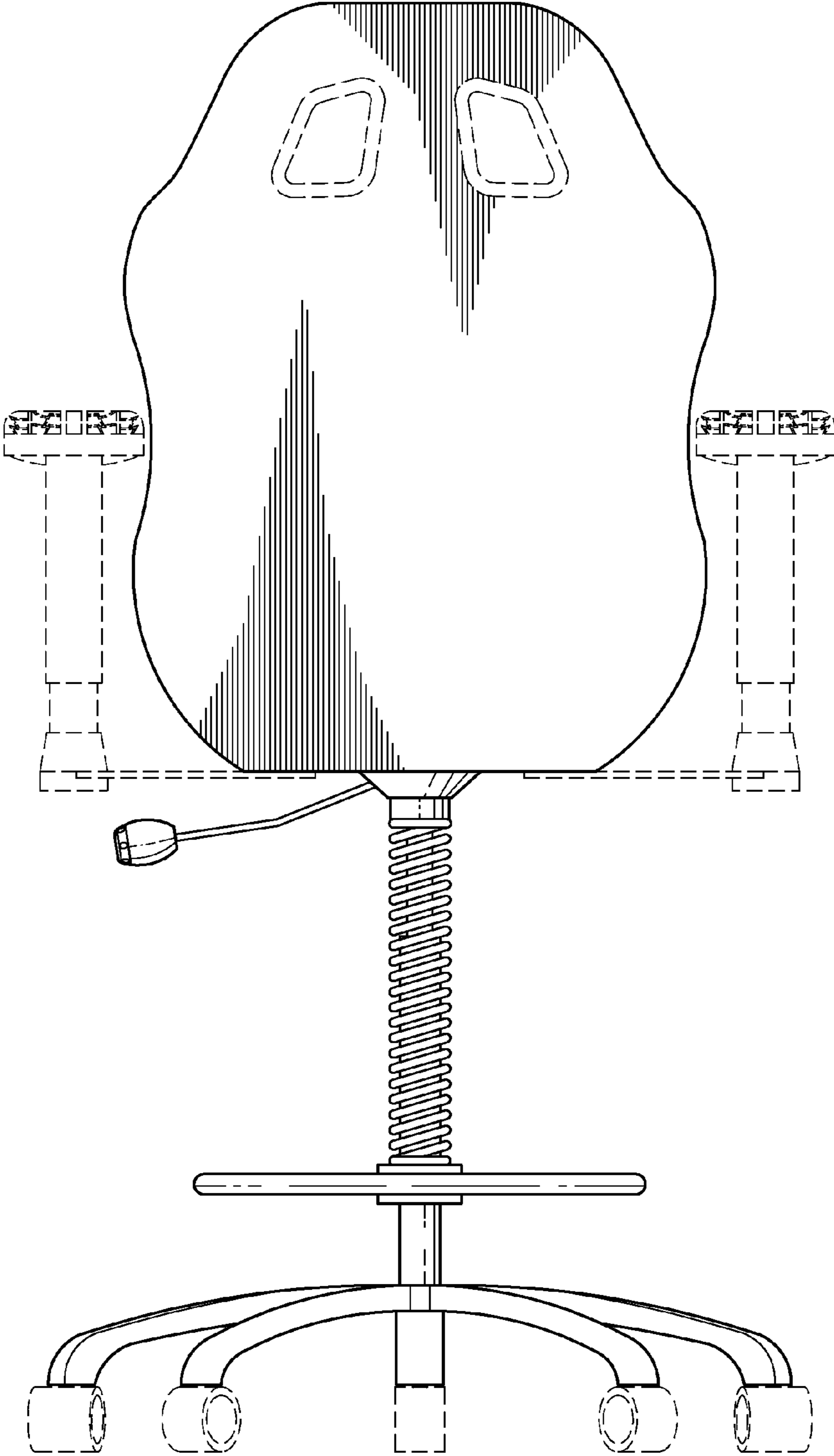
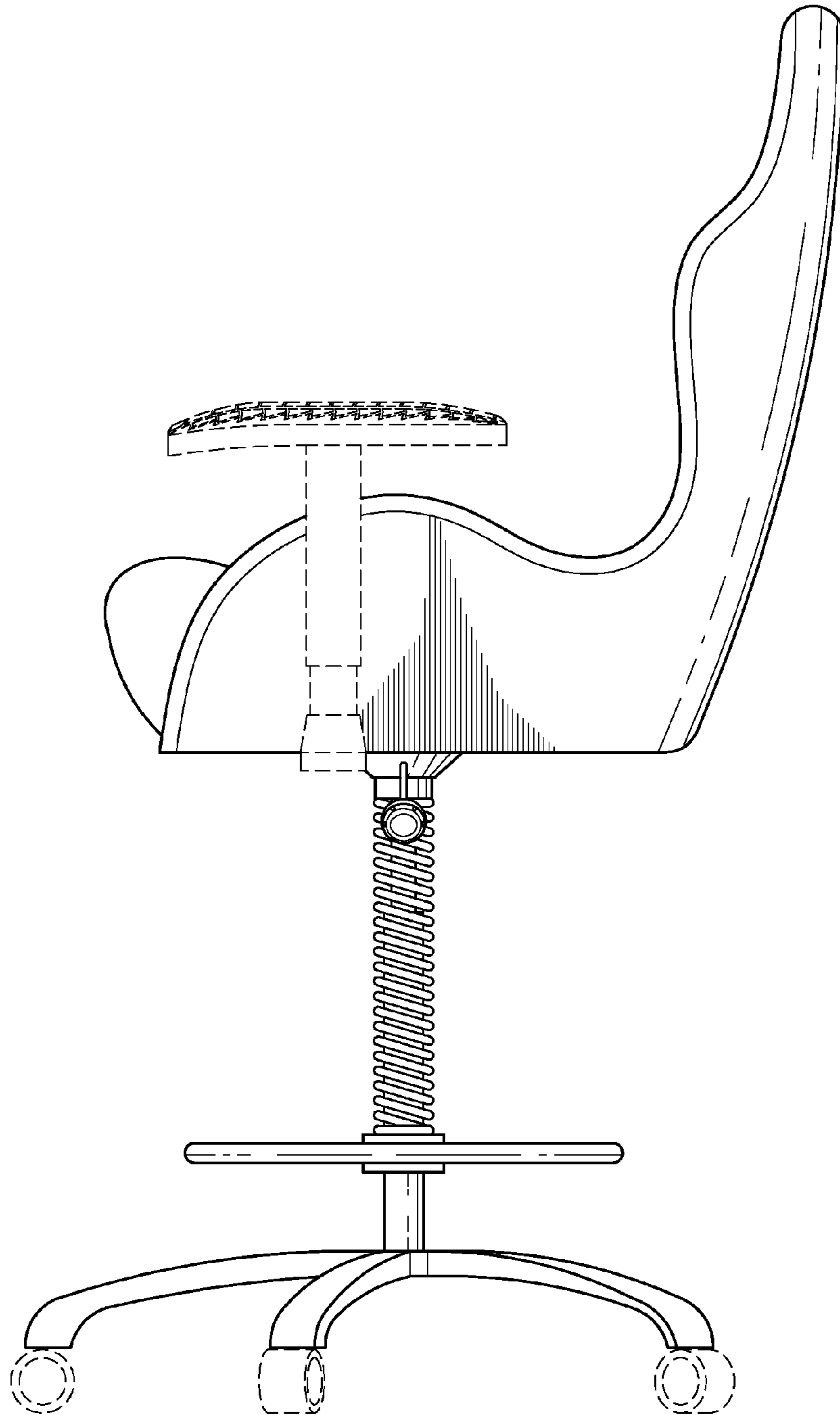


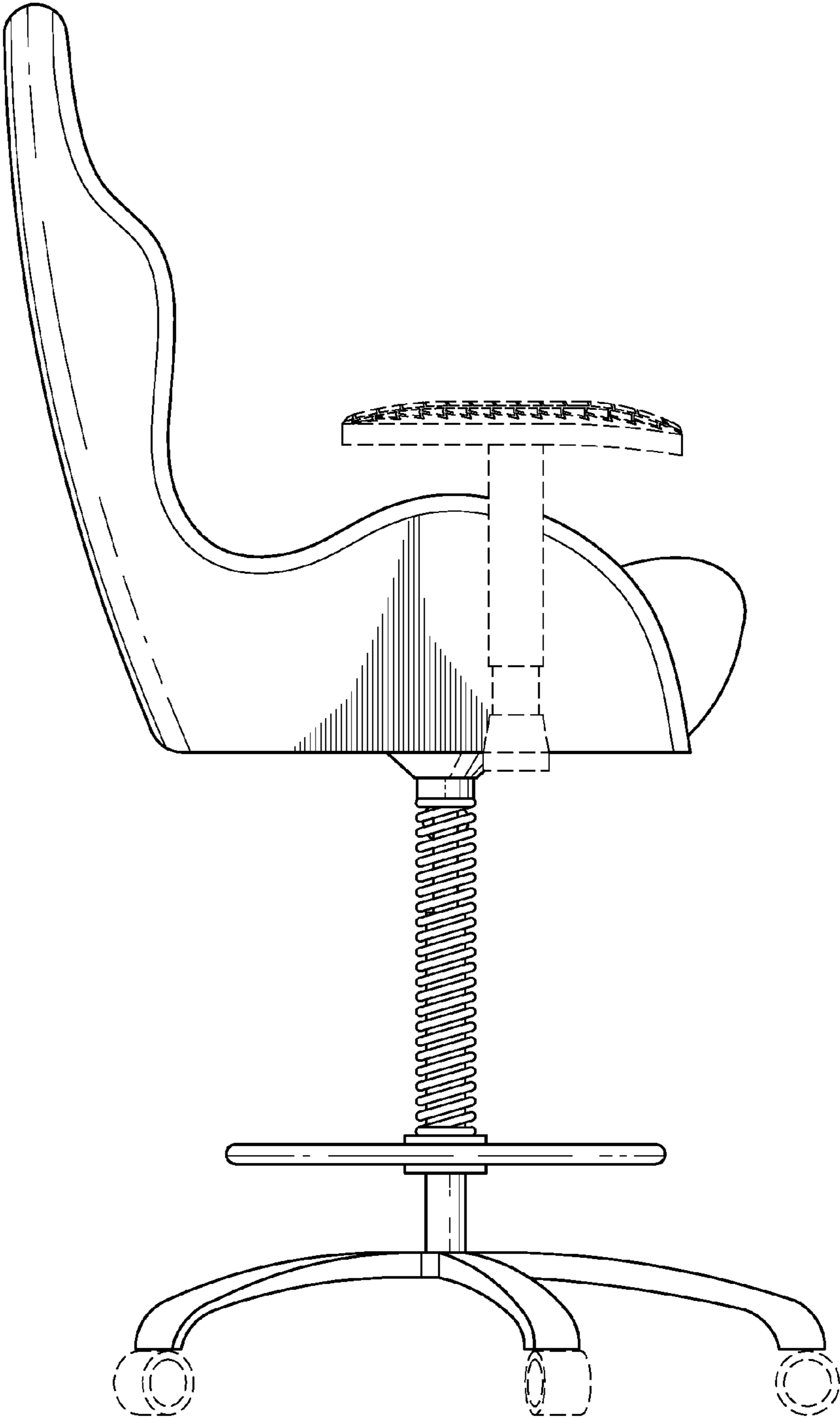
FIG. 9



*FIG. 10*



*FIG. 11*



*FIG. 12*

