



US00D693585S

(12) **United States Design Patent**
Pedersen et al.

(10) **Patent No.:** **US D693,585 S**

(45) **Date of Patent:** **** Nov. 19, 2013**

(54) **FURNISHING**

D586,158 S 2/2009 Thomkins
D656,342 S 3/2012 Blitzer
D659,415 S * 5/2012 Soto et al. D6/355

(71) Applicant: **Target Brands, Inc.**, Minneapolis, MN
(US)

(72) Inventors: **Sara L. Pedersen**, Minneapolis, MN
(US); **Katherine R. Wittenberg**, Saint
Paul, MN (US); **Chad M. Bogdan**, Saint
Paul, MN (US); **George K. Smithwick**,
Blaine, MN (US)

(73) Assignee: **Target Brands, Inc.**, Minneapolis, MN
(US)

(**) Term: **14 Years**

(21) Appl. No.: **29/436,473**

(22) Filed: **Nov. 6, 2012**

(51) **LOC (9) Cl.** **06-01**

(52) **U.S. Cl.**

USPC **D6/355**

(58) **Field of Classification Search**

USPC D6/334-336, 349, 355, 370, 374, 376,
D6/379, 381, 716, 716.1, 716.2, 716.3,
D6/716.4; 297/232, 411.42, 445.1, 446.1,
297/452.63

See application file for complete search history.

(56) **References Cited**

U.S. PATENT DOCUMENTS

D49,154 S * 6/1916 Martin D6/355
D75,371 S 5/1928 Kannaka
D101,223 S 9/1936 Jiranek
D312,535 S * 12/1990 Yau Kee D6/349
D320,893 S 10/1991 Kinard et al.
D369,914 S * 5/1996 Kirn et al. D6/355
D512,229 S * 12/2005 Reza-Hadden D6/355

OTHER PUBLICATIONS

Makostrings, "Patio Ottoman Set of 2," <http://makostrings.com/Outdoor-Lighting/outdoor-footrests/>, 1 page, at least as early as Aug. 2012.

ivgStores, "Hospitality Rattan—Grenada Patio Ottoman in Viro Fiber Antique Brown Finish," http://www.ivgstores.com/ivg2/y/productid-89920-.htm?utm_medium=affiliate&utm_source=cj-ivgstores.com&utm_term=89920, 1 page, at least as early as Aug. 2012.

Modern Wicker, "South Sea Rattan Martinique Wicker Ottoman 75206," <http://www.modernwicker.com/servlet/-strse-276/Martinique-wicker-ottoman/Detail>, 1 page, at least as early as Aug. 2012.

Gloster, "Pacific Deep Seating Ottoman," <http://www.gloster.com/gla/collections/pacific-deep-seating-ottoman>, 1 page, at least as early as Aug. 2012.

ET&T Distributors Inc., "Tuscany Wicker Ottoman," <http://ettflorida.com/product.php?id=1121>, 1 page, at least as early as Aug. 2012.

* cited by examiner

Primary Examiner — Mimosa De

(74) *Attorney, Agent, or Firm* — Leanne Taveggia Farrell;
Westman, Champlin & Koehler, P.A.

(57) **CLAIM**

The ornamental design for a furnishing, as shown and described.

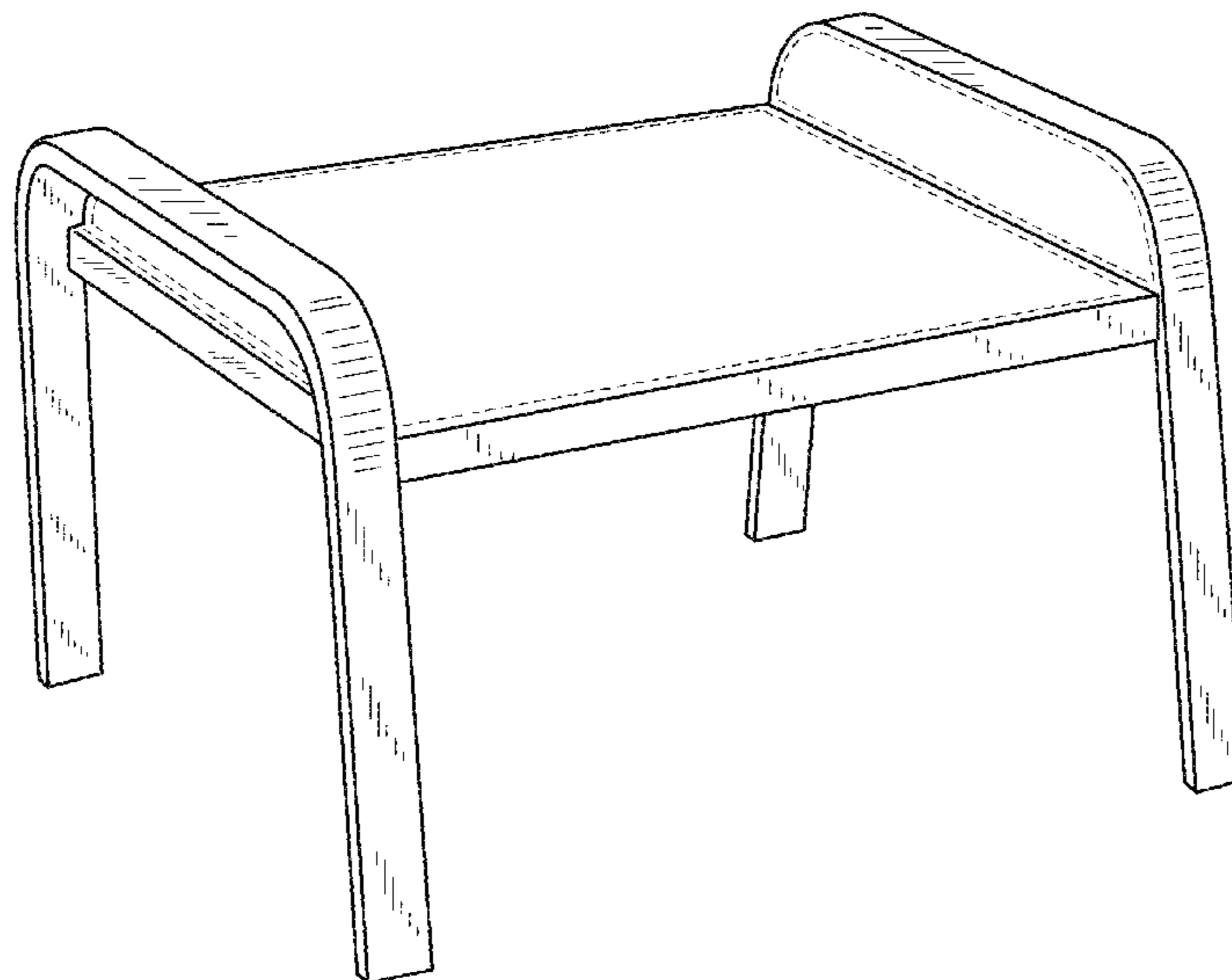
DESCRIPTION

FIG. 1 is a perspective view of a furnishing;
FIG. 2 is a side view thereof, the opposing side being identical;

FIG. 3 is a front view thereof, the rear being identical; and,
FIG. 4 is a top view thereof.

The broken lines shown in the drawings are included for purposes of illustrating portions of the furnishing and form no part of the claimed design.

1 Claim, 4 Drawing Sheets



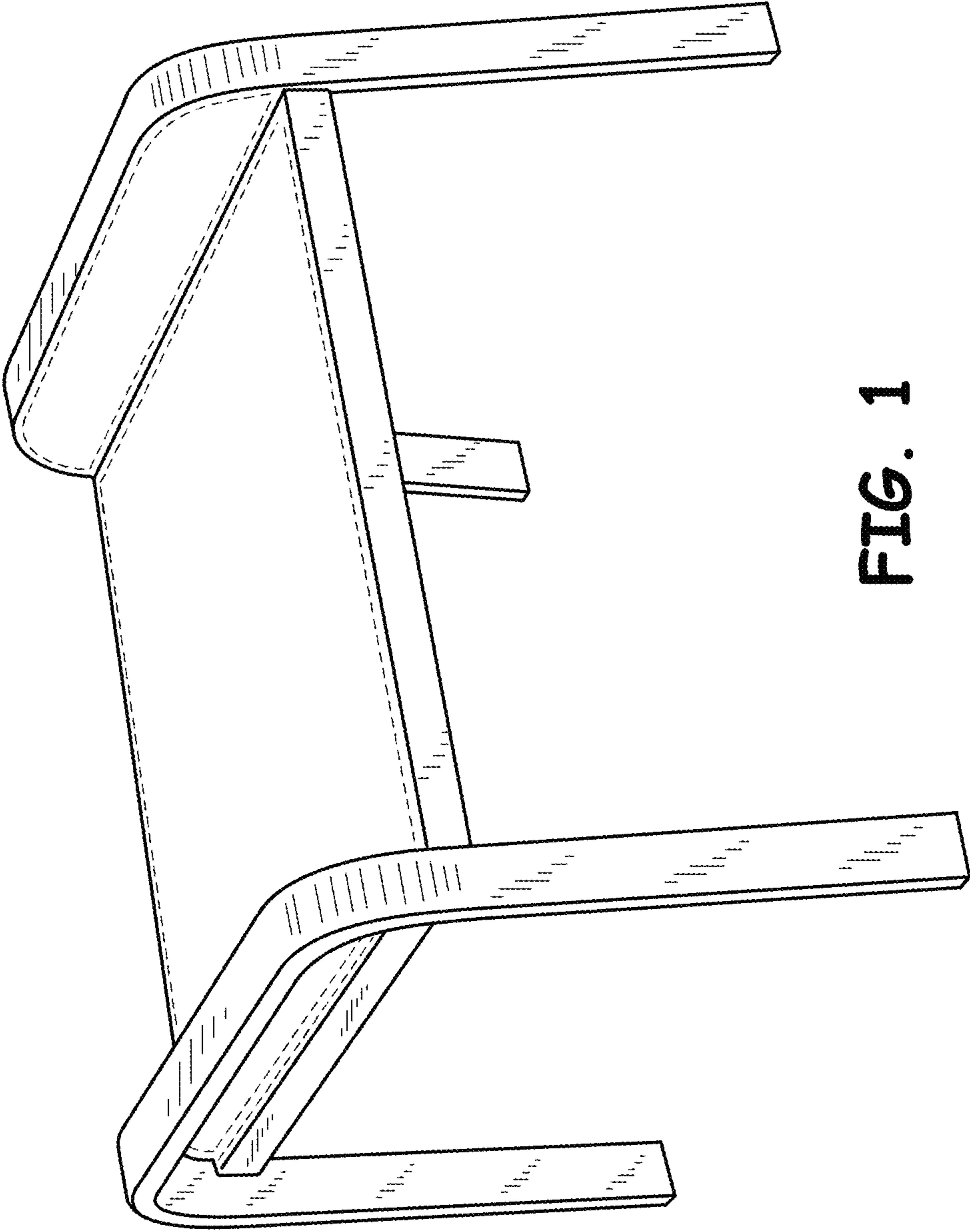


FIG. 1

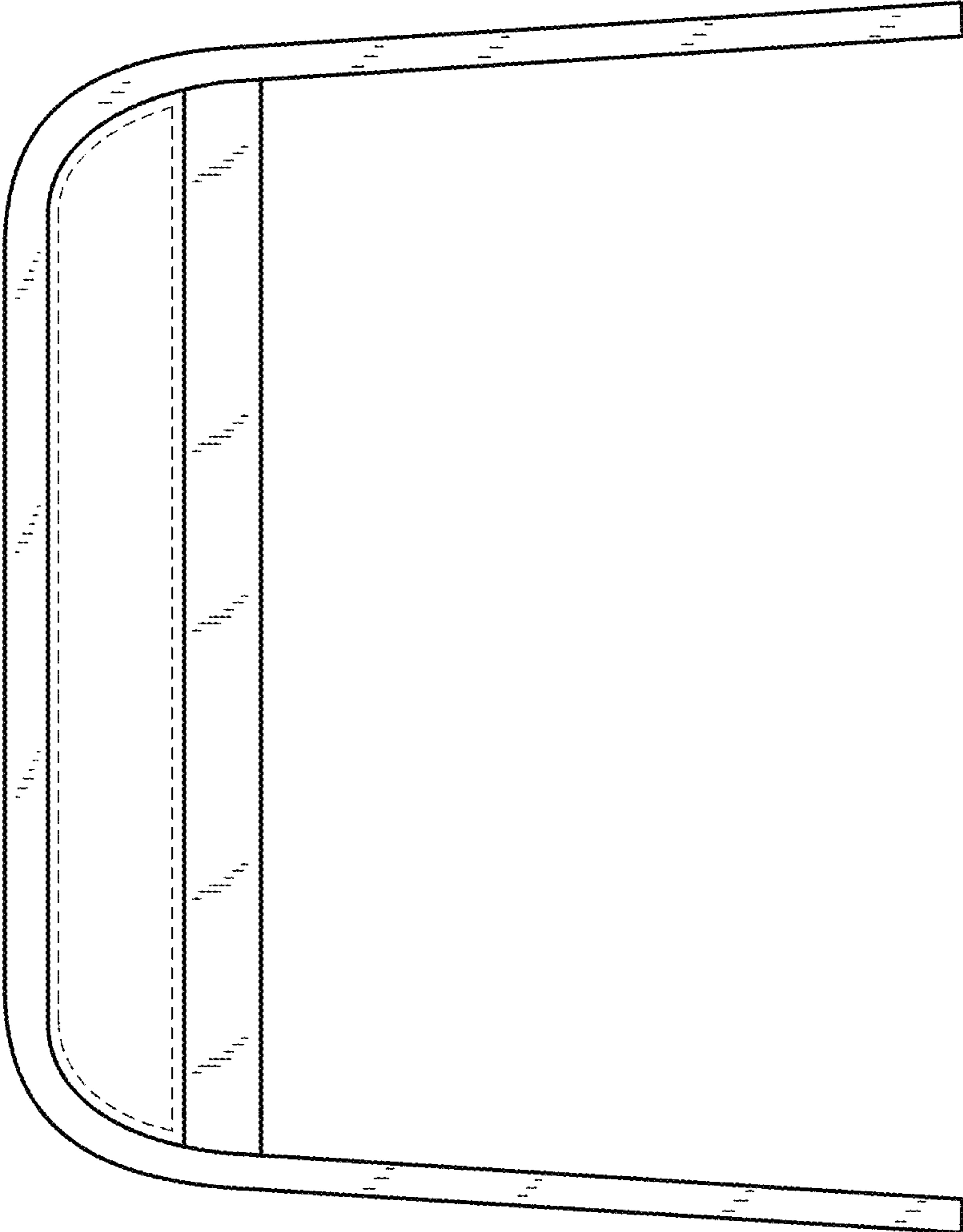


FIG. 2

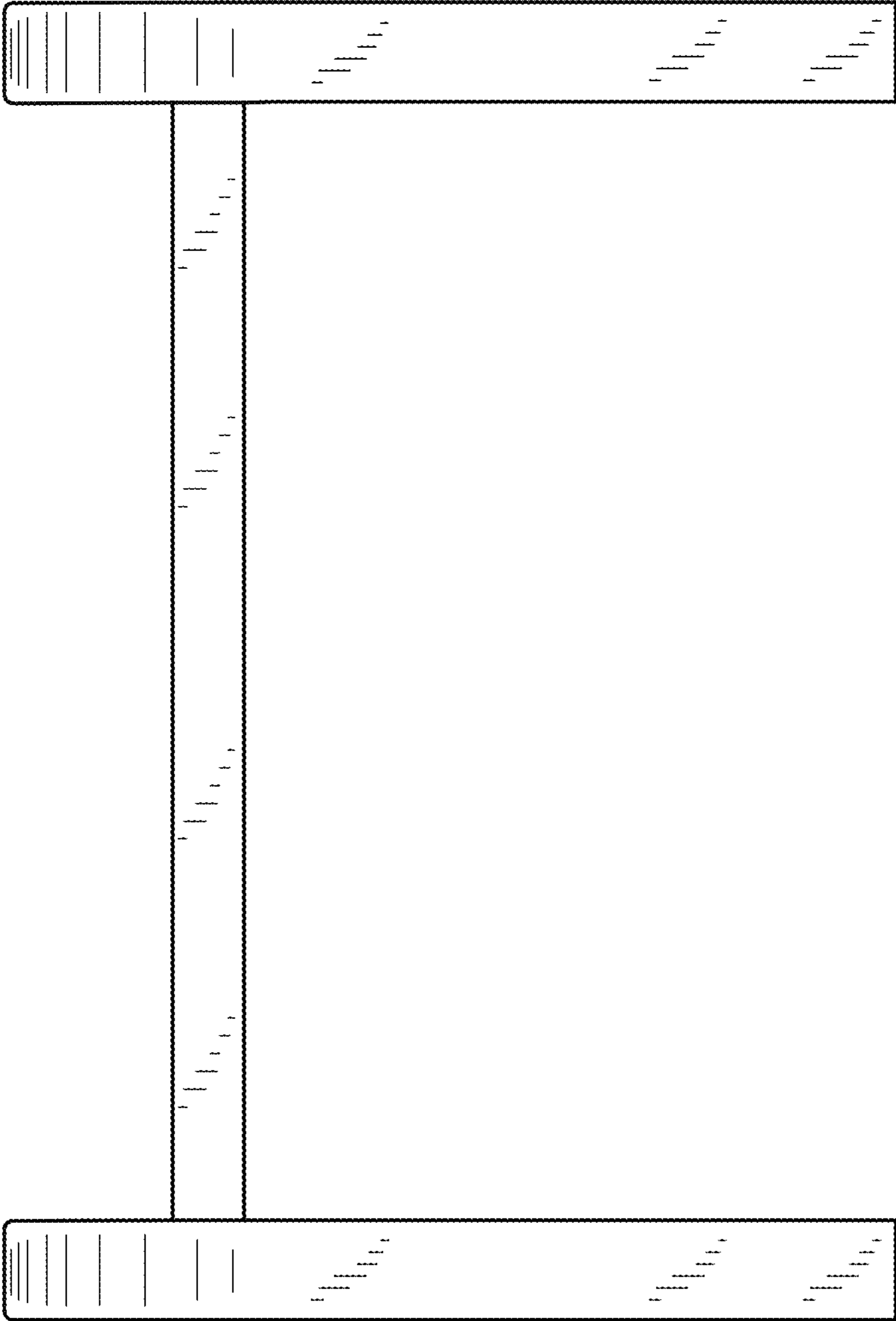


FIG. 3

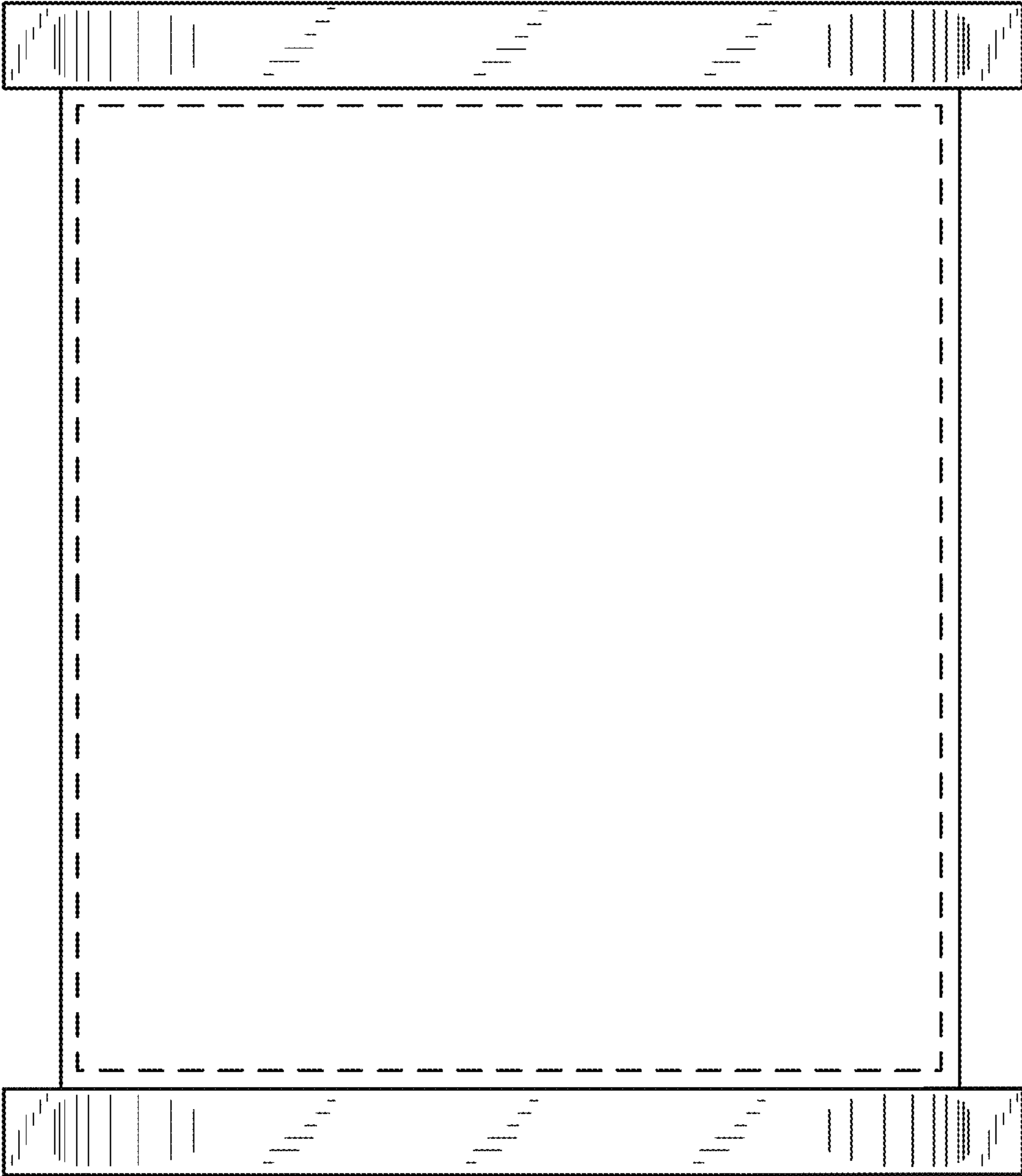


FIG. 4