



US00D693584S

(12) **United States Design Patent**
Kanhasamy

(10) **Patent No.:** **US D693,584 S**
(45) **Date of Patent:** **** Nov. 19, 2013**

(54) **FURNITURE**

(75) Inventor: **Abedan Kanhasamy**, Kuala Lumpur (MY)

(73) Assignee: **Lifestyle Solutions, Inc.**, Fremont, CA (US)

(**) Term: **14 Years**

(21) Appl. No.: **29/400,467**

(22) Filed: **Aug. 29, 2011**

(51) **LOC (9) Cl.** **06-01**

(52) **U.S. Cl.**
USPC **D6/334**

(58) **Field of Classification Search**
USPC D6/334, 335, 337, 374, 379, 380, 381, D6/702, 704, 716; 297/118, 300.1, 302.1, 297/311, 313, 353, 354.1, 445.1, 446.1, 297/446.2, 447.4, 464, 465, 900, DIG. 2, 297/DIG. 7; 5/12.1, 12.2

See application file for complete search history.

(56) **References Cited**

U.S. PATENT DOCUMENTS

D240,783 S * 8/1976 Zapf D6/334
D259,601 S * 6/1981 Marks D6/334

(Continued)

Primary Examiner — Sandra Snapp

(74) *Attorney, Agent, or Firm* — Robert A. Voigt, Jr.; Winstead P.C.

(57) **CLAIM**

The ornamental design for this furniture, as shown and described.

DESCRIPTION

FIG. 1 is a front perspective view of a first embodiment of furniture in the form of a single chair being in a sitting position and a pillow removed;

FIG. 2 is a front perspective view of a pillow, which is an accessory to the furniture and shown in broken lines for illustration only;

FIG. 3 is a front perspective view of the first embodiment of the furniture wherein a chair is in a sitting position with the pillow;

FIG. 4 is a front and side perspective view of the first embodiment of the furniture with a chair being in a sitting position with the pillow;

FIG. 5 is a side perspective view of the first embodiment of the furniture with a chair shown in a sitting position with the pillow;

FIG. 6 is a front perspective view of a second embodiment of the furniture with a first chair being in a sitting position and a second chair being in a flat position, where the two chairs are placed next to one another;

FIG. 7 is a front perspective view of the second embodiment of the furniture with both chairs being in a flat position, where the two chairs are placed next to one another, and where a tray is placed on one of the chairs, the tray being shown in broken lines for illustration;

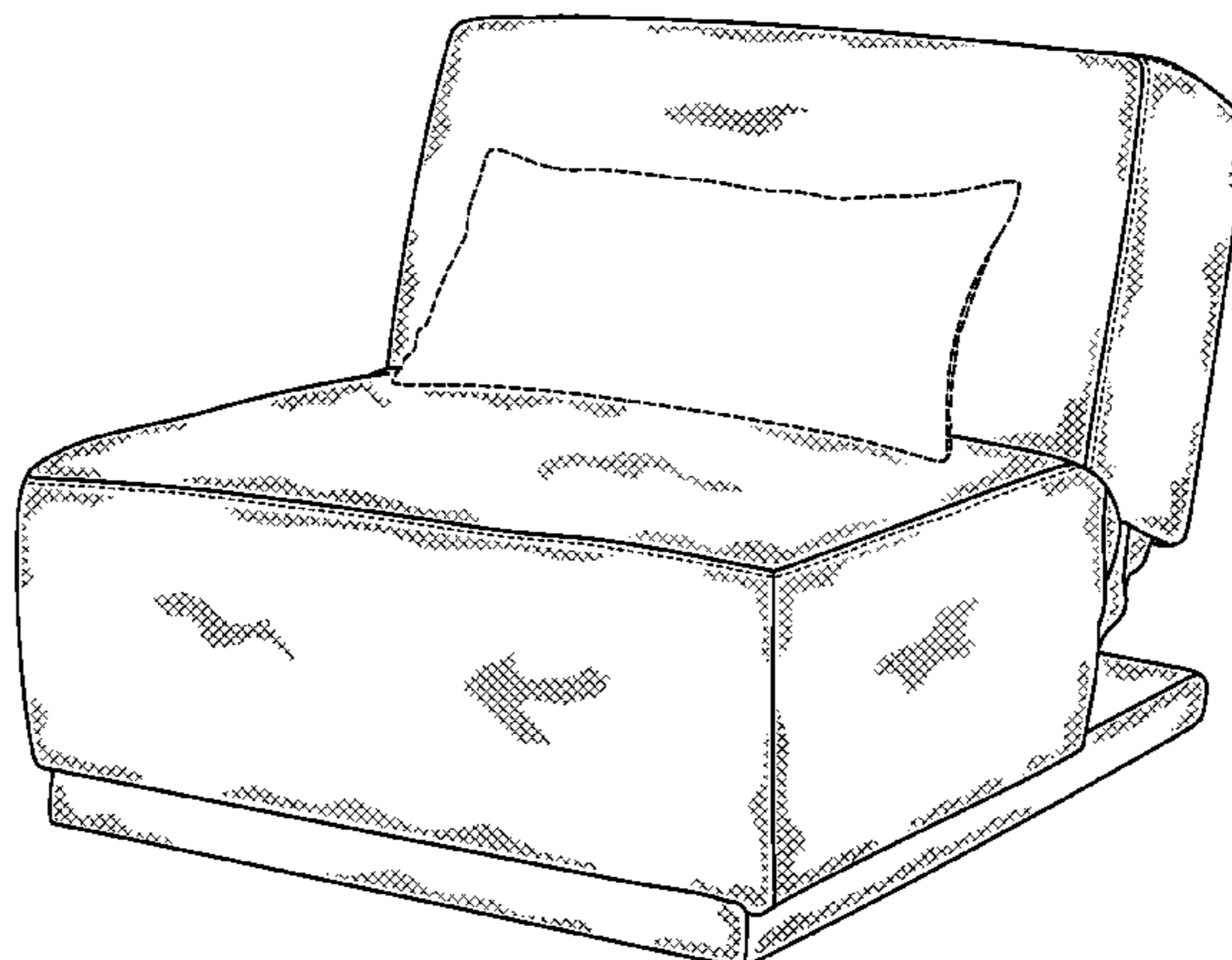
FIG. 8 is a front perspective view of a third embodiment of the furniture with two chairs being in a sitting position and a single chair being in the flat position, where the chairs are placed next to one another and the chair in the flat position is being paced at an end of the grouping of chairs;

FIG. 9 is a perspective view of a third embodiment of the furniture with two chairs being in the sitting position and a single chair being in the flat position, where the chairs are placed next to one another and the chair in the flat position is placed in the middle of the grouping of chairs and a tray is placed on the chair in the flat position, the tray shown in broken lines; and,

FIG. 10 is a perspective view of a third embodiment of the furniture with two chairs being in a sitting position and a single chair being in the flat position, where the chairs are placed next to one another, and where the chair in the flat position being paced at the end of the groupings of chairs, and where a tray is placed on the chair in the flat position, the tray being shown in broken lines.

The broken lines shown in the drawings are for illustrative purposes only and form no part of the claimed design.

1 Claim, 10 Drawing Sheets



(56)

References Cited

U.S. PATENT DOCUMENTS

D263,658 S *	4/1982	Saporiti	D6/334	D526,803 S *	8/2006	Lee	D6/381
D264,027 S *	4/1982	Aronowitz et al.	D6/364	7,213,885 B2 *	5/2007	White et al.	297/440.1
D264,649 S *	6/1982	Saporiti	D6/334	D573,358 S *	7/2008	Gharabegian	D6/334
D280,364 S *	9/1985	Hopfer	D6/334	D577,211 S *	9/2008	Natuzzi	D6/334
D281,655 S *	12/1985	Carter	D6/334	7,419,220 B2 *	9/2008	White et al.	297/440.14
D282,423 S *	2/1986	Carter	D6/449	D585,200 S *	1/2009	Lissoni	D6/334
D313,893 S *	1/1991	Hopfer	D6/334	7,547,073 B2 *	6/2009	White et al.	297/440.1
D327,174 S *	6/1992	Hopfer	D6/334	D609,034 S *	2/2010	Lissoni	D6/500
D425,711 S *	5/2000	Desombre	D6/334	D619,820 S *	7/2010	Lissoni	D6/381
D510,486 S *	10/2005	Karl	D6/334	7,963,612 B2 *	6/2011	Nelson	297/440.1
				D645,667 S *	9/2011	Alberda et al.	D6/334
				2007/0257539 A1 *	11/2007	White et al.	297/440.14
				2009/0315382 A1 *	12/2009	Nelson	297/440.1

* cited by examiner

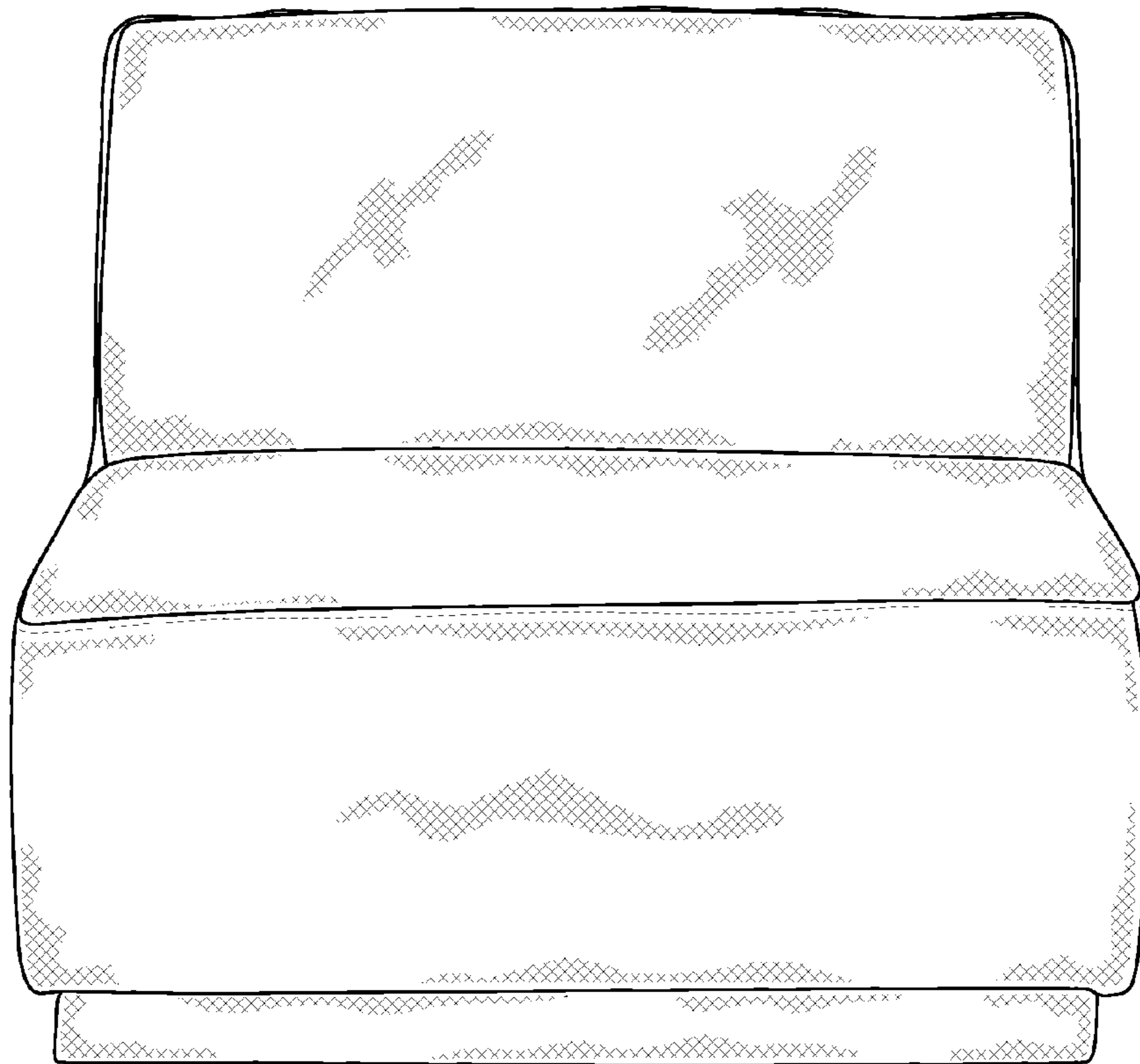


FIG. 1

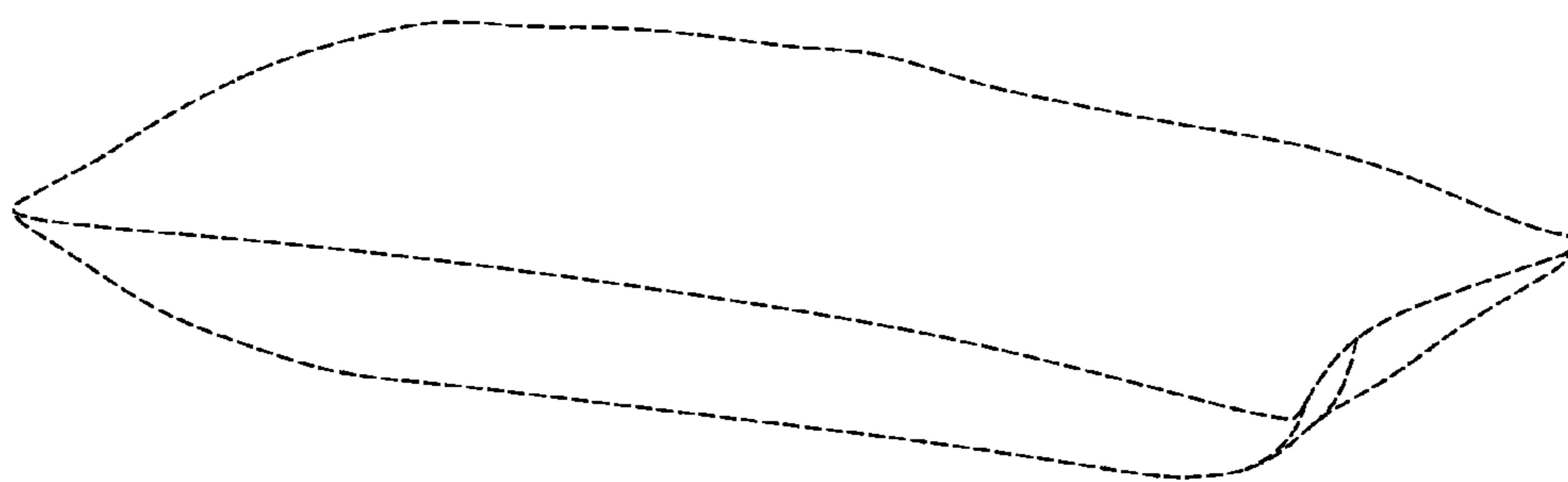


FIG. 2

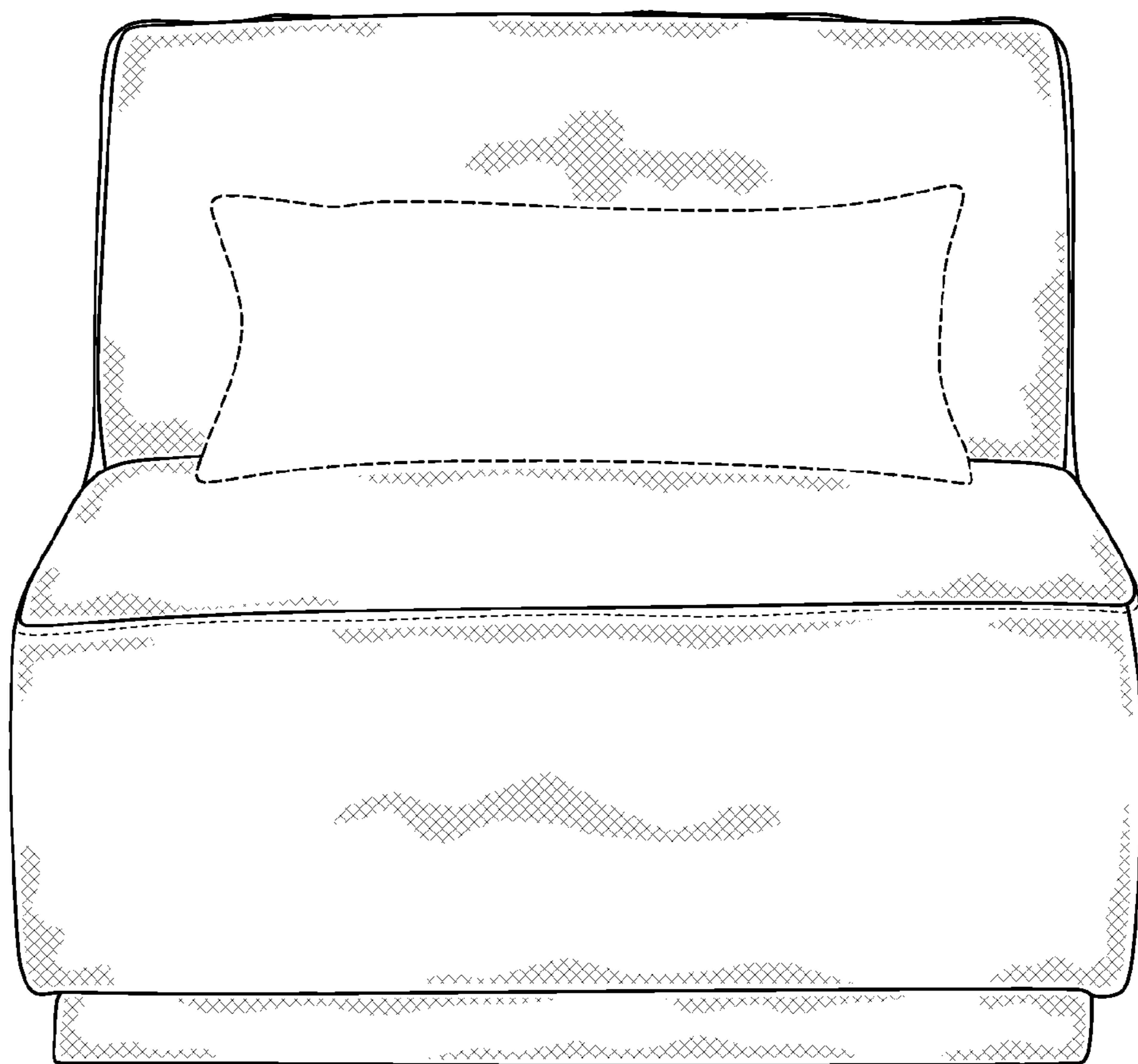


FIG. 3

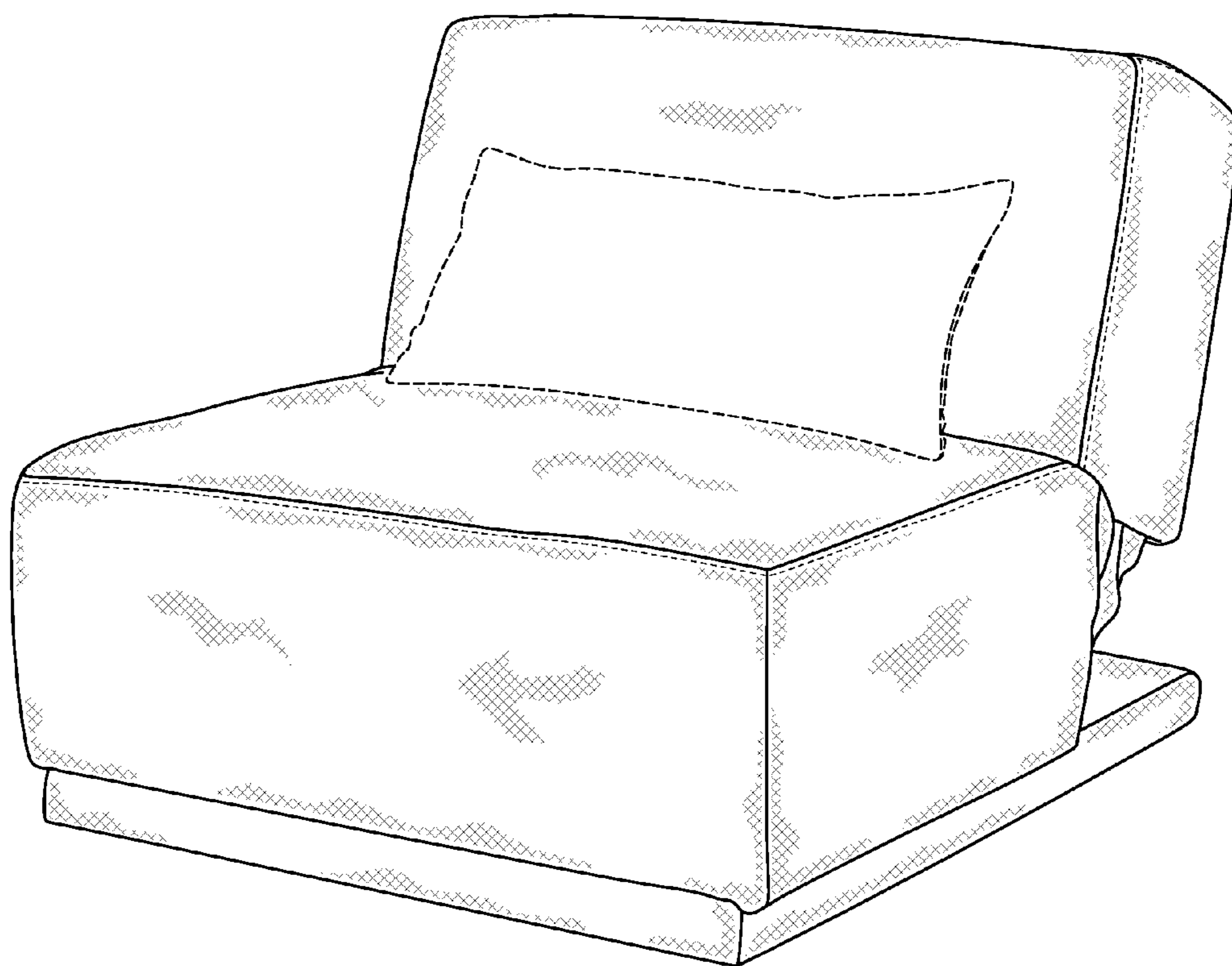


FIG. 4

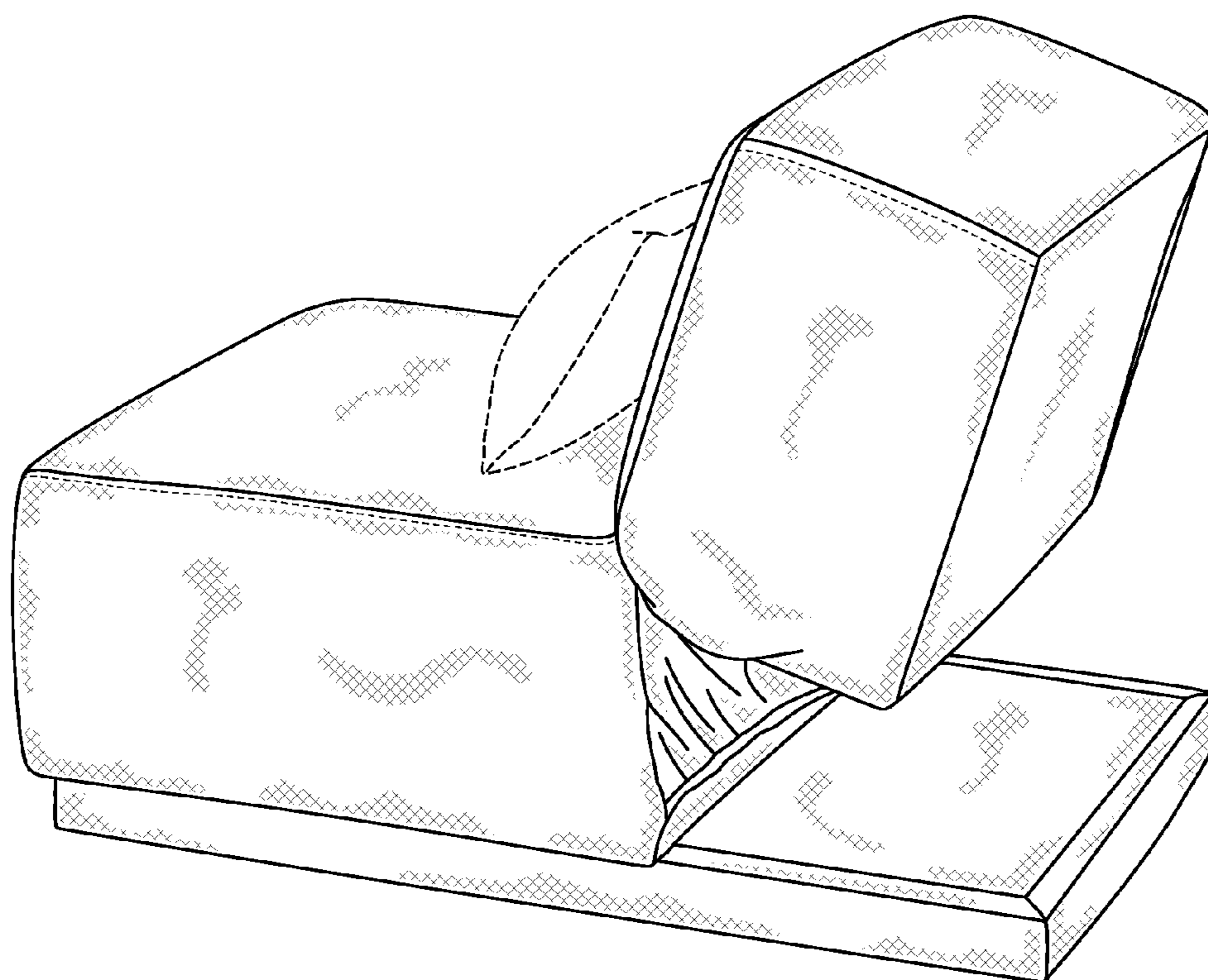


FIG. 5

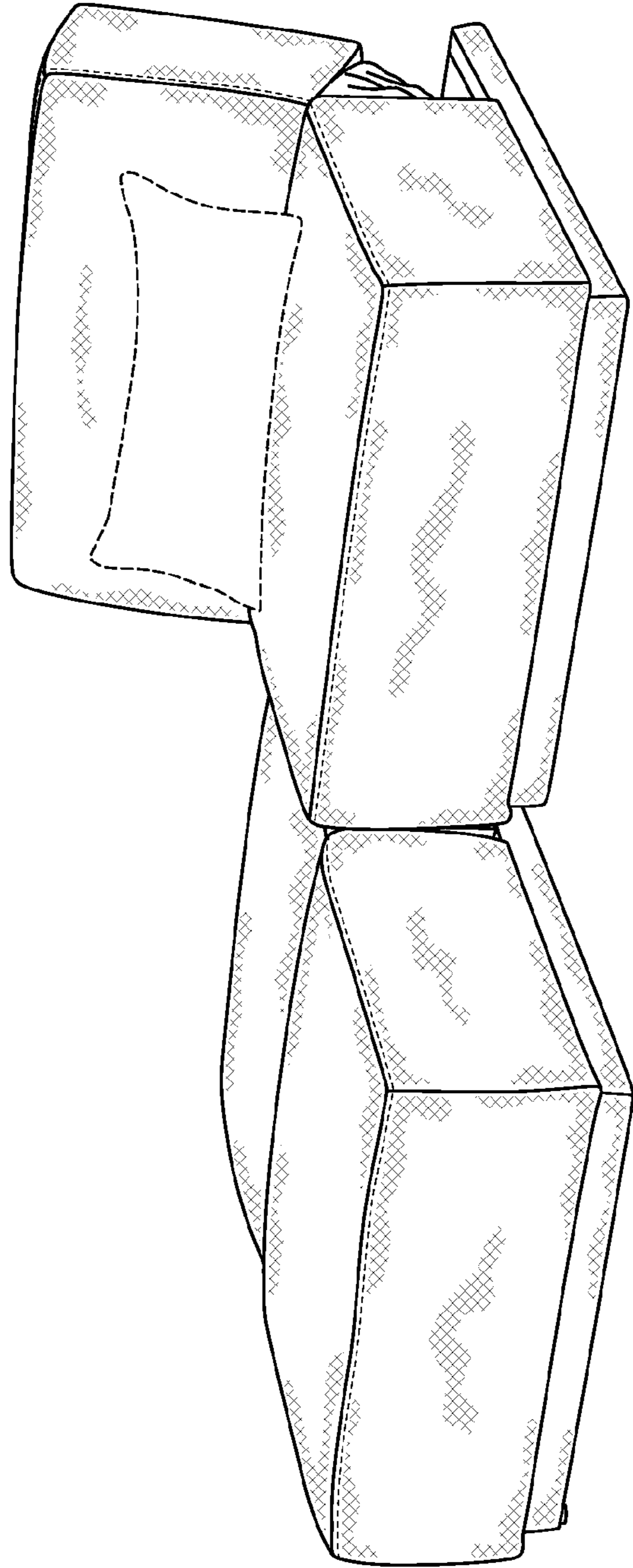


FIG. 6

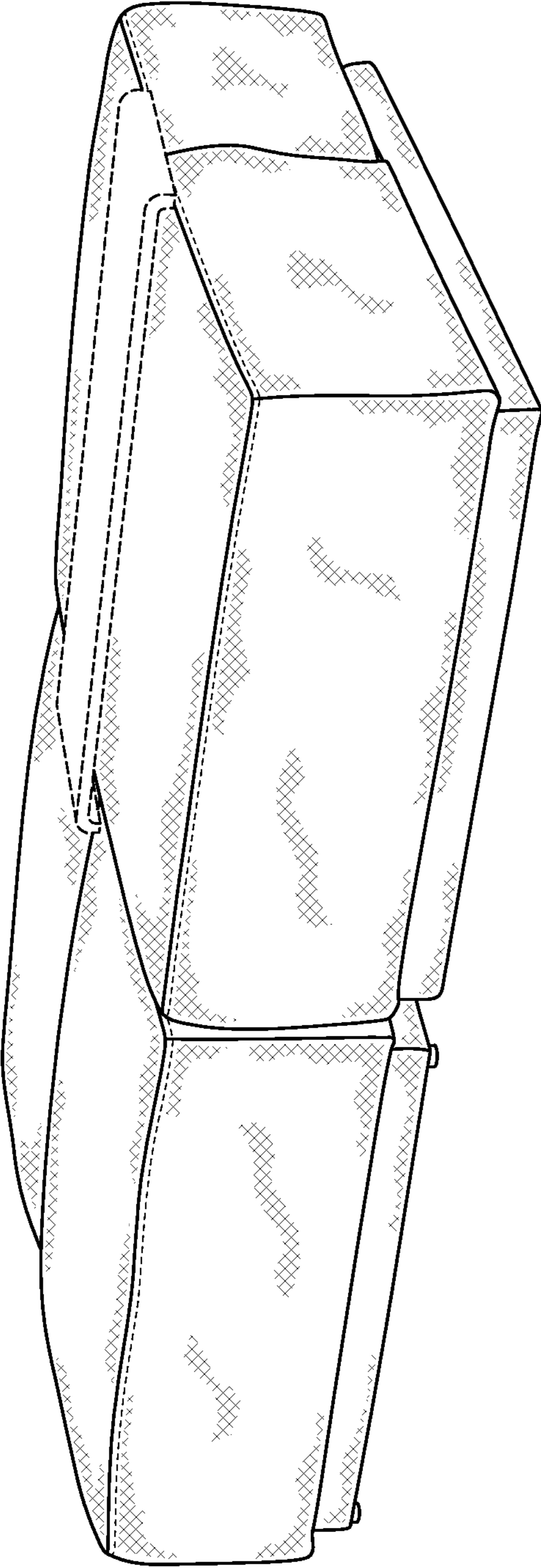


FIG. 7

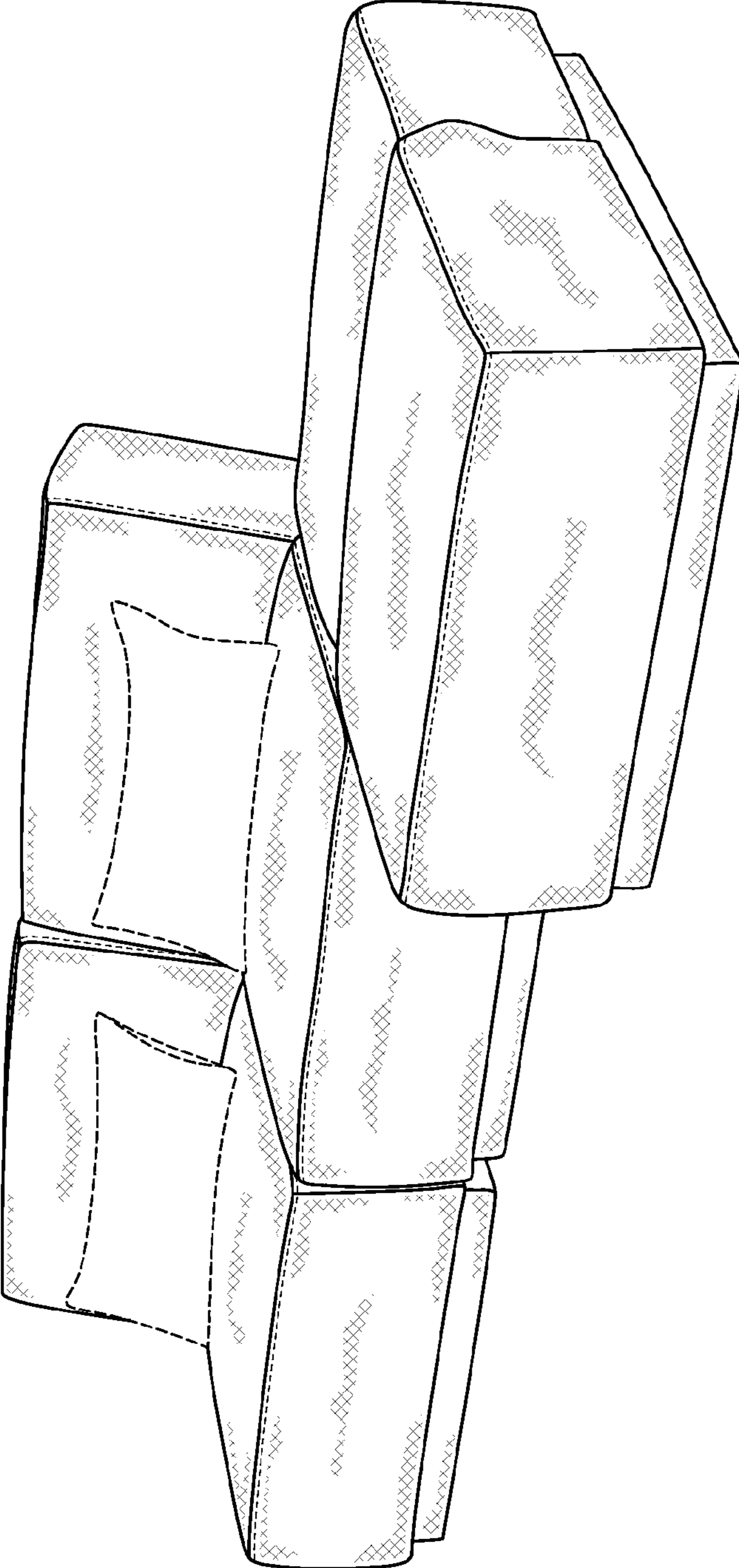


FIG. 8

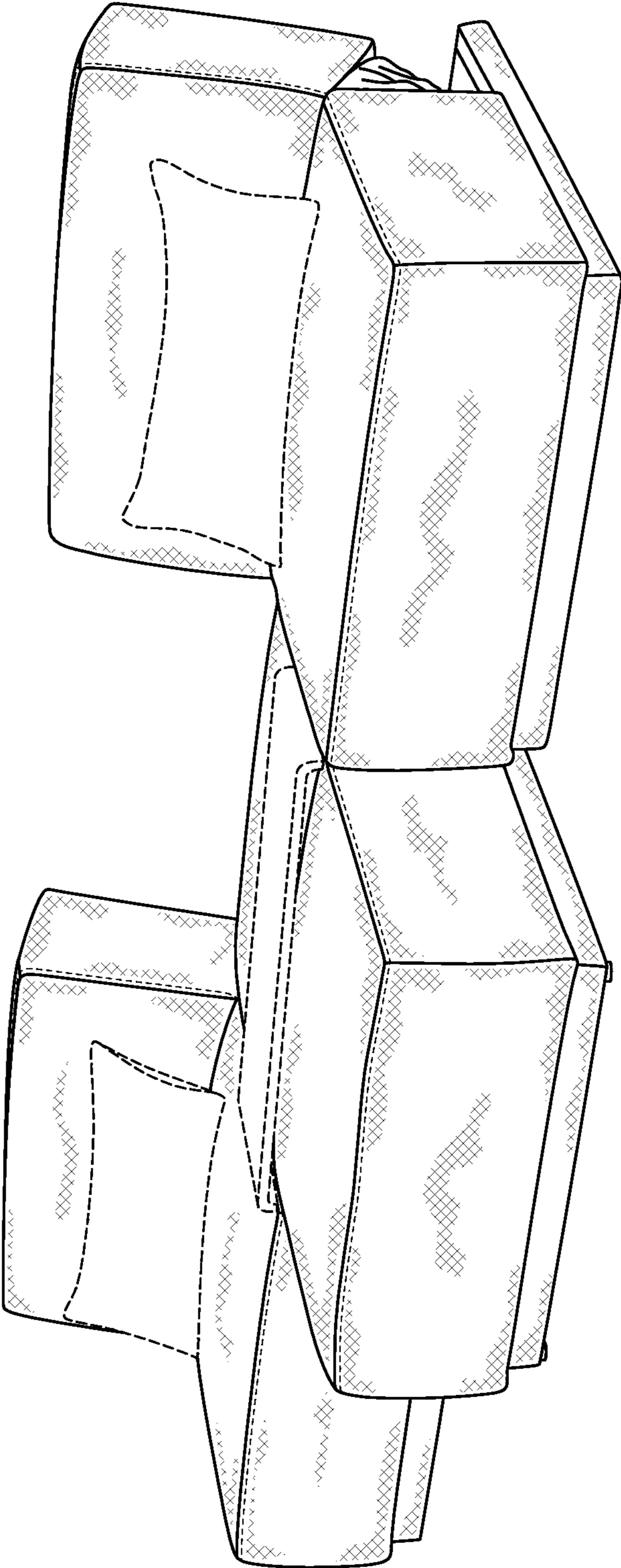


FIG. 9

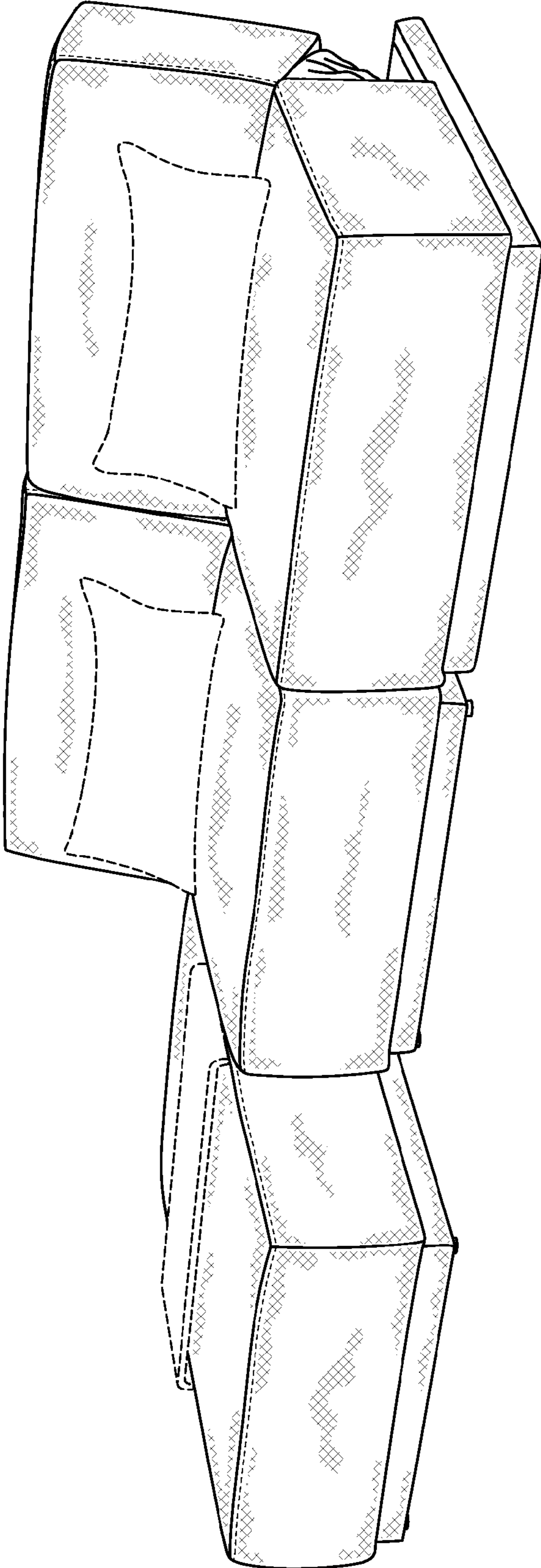


FIG. 10