



US00D693581S

(12) **United States Design Patent**  
**Ballmaier et al.**

(10) **Patent No.:** **US D693,581 S**  
(45) **Date of Patent:** **\*\* Nov. 19, 2013**

(54) **CLEANING ELEMENT FOR A TOOTHBRUSH OR THE LIKE**

(71) Applicant: **The Proctor & Gamble Company**, Cincinnati, OH (US)

(72) Inventors: **Kathi Ballmaier**, Wehrheim (DE); **Benedikt Heil**, Friedberg (DE); **Gerhard Schafer**, Frankfurt (DE); **Carolyn Schluter**, Frankfurt (DE); **Alexander Thalheim-Martin**, Frankfurt (DE)

(73) Assignee: **The Gillette Company**, Boston, MA (US)

(\*\*) Term: **14 Years**

(21) Appl. No.: **29/445,773**

(22) Filed: **Feb. 15, 2013**

(51) **LOC (9) Cl.** ..... **04-02**

(52) **U.S. Cl.**  
USPC ..... **D4/104; D4/136**

(58) **Field of Classification Search**  
USPC ..... D4/101, 104-113, 136; D24/133, 146, D24/147, 152, 211, 214, 215; D28/63; 15/110, 167.1, 167.2, 188; 132/308-311; 601/136, 137, 139, 141, 601/142; 606/235

See application file for complete search history.

(56) **References Cited**

**U.S. PATENT DOCUMENTS**

1,327,757 A \* 1/1920 Eggers ..... 401/28  
1,526,267 A \* 2/1925 Dessau ..... 15/215  
2,545,814 A \* 3/1951 Kempster ..... 15/188

3,491,396 A \* 1/1970 Granieri, Jr. et al. .... 15/104.94  
4,128,910 A \* 12/1978 Nakata et al. .... 15/110  
5,335,389 A \* 8/1994 Curtis et al. .... 15/167.1  
D402,116 S \* 12/1998 Magloff et al. .... D4/104  
D403,510 S \* 1/1999 Menke et al. .... D4/104  
6,859,969 B2 \* 3/2005 Gavney et al. .... 15/117  
7,360,270 B2 \* 4/2008 Moskovich et al. .... 15/28  
8,032,971 B2 \* 10/2011 Moskovich ..... 15/167.1  
2005/0138744 A1 \* 6/2005 Hohlbein ..... 15/167.1  
2008/0184511 A1 \* 8/2008 Brown et al. .... 15/110

\* cited by examiner

*Primary Examiner* — Melanie H Tung

*Assistant Examiner* — Lavone D Tabor

(74) *Attorney, Agent, or Firm* — Vladimir Vitenberg

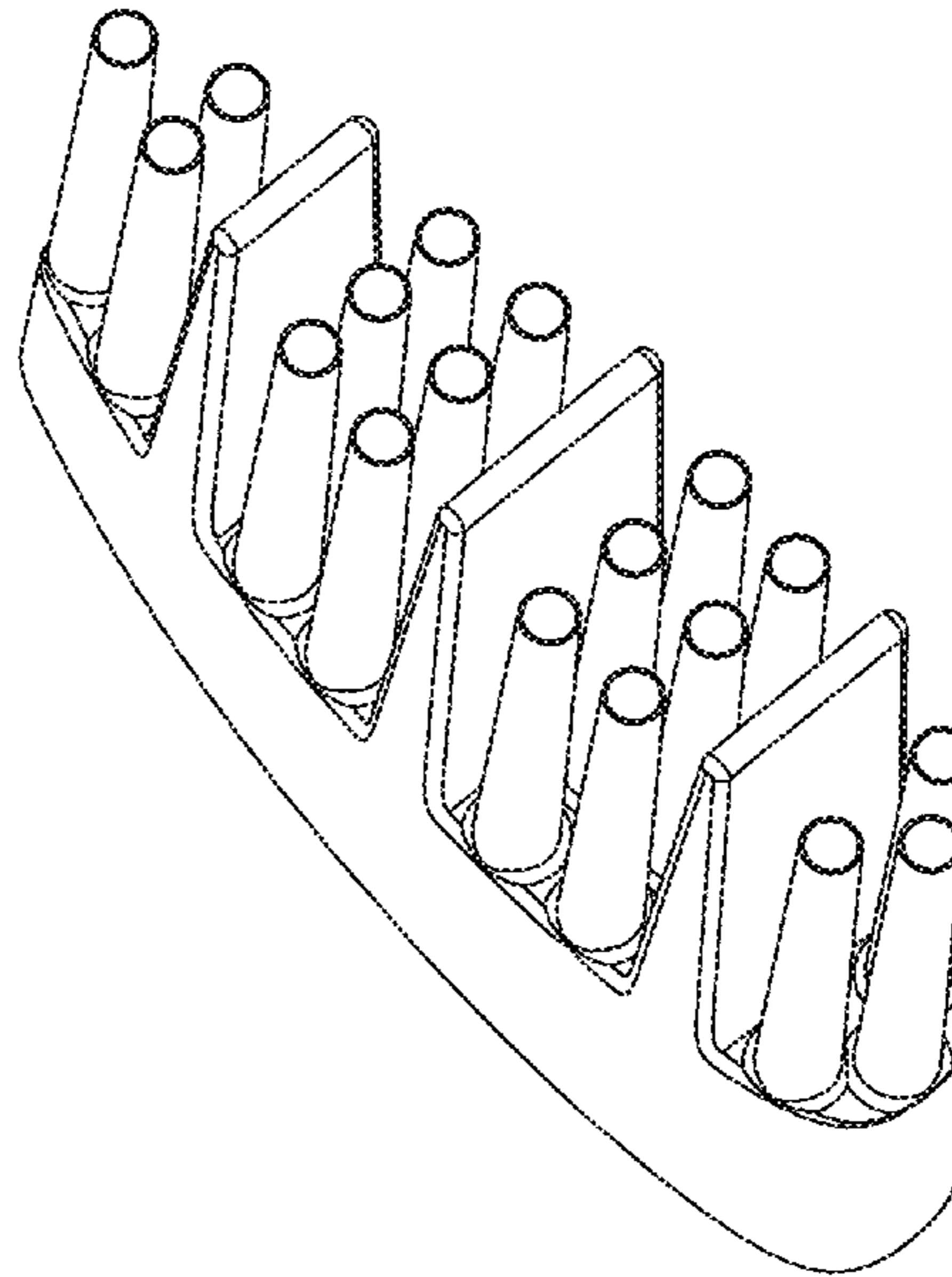
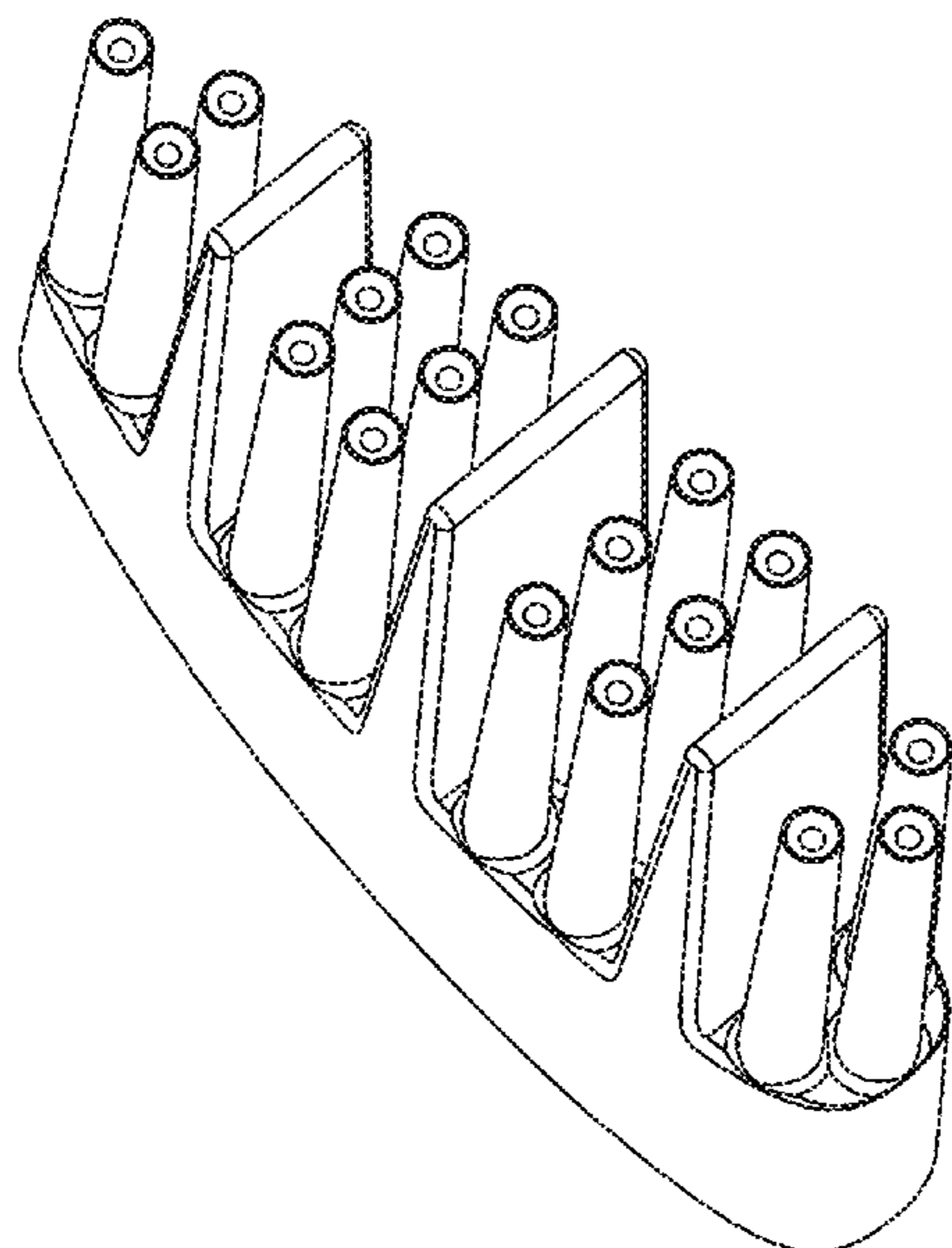
(57) **CLAIM**

The ornamental design for a cleaning element for a toothbrush or the like, as shown and described.

**DESCRIPTION**

FIG. 1 is a perspective view of a cleaning element for a toothbrush or the like;  
FIG. 2 is a front view thereof;  
FIG. 3 is a right side view thereof;  
FIG. 4 is a rear view thereof;  
FIG. 5 is a left side view thereof;  
FIG. 6 is a top plan view thereof;  
FIG. 7 is a bottom view thereof.  
FIG. 8 is a perspective view of a second embodiment of a cleaning element for a toothbrush or the like;  
FIG. 9 is a front view thereof;  
FIG. 10 is a right side view thereof;  
FIG. 11 is a rear view thereof;  
FIG. 12 is a left side view thereof;  
FIG. 13 is a top plan view thereof; and,  
FIG. 14 is a bottom view thereof.

**1 Claim, 8 Drawing Sheets**



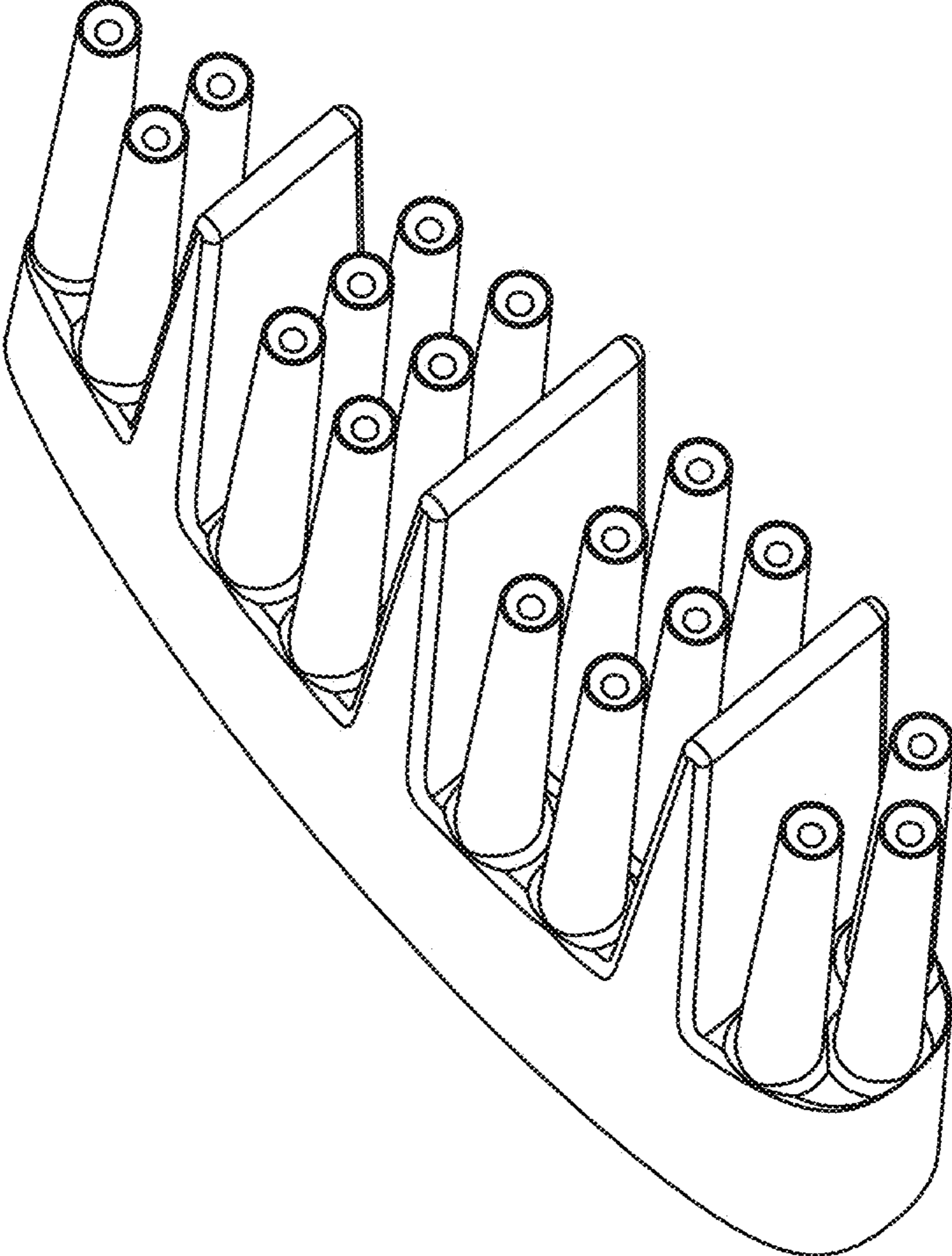


Fig. 1

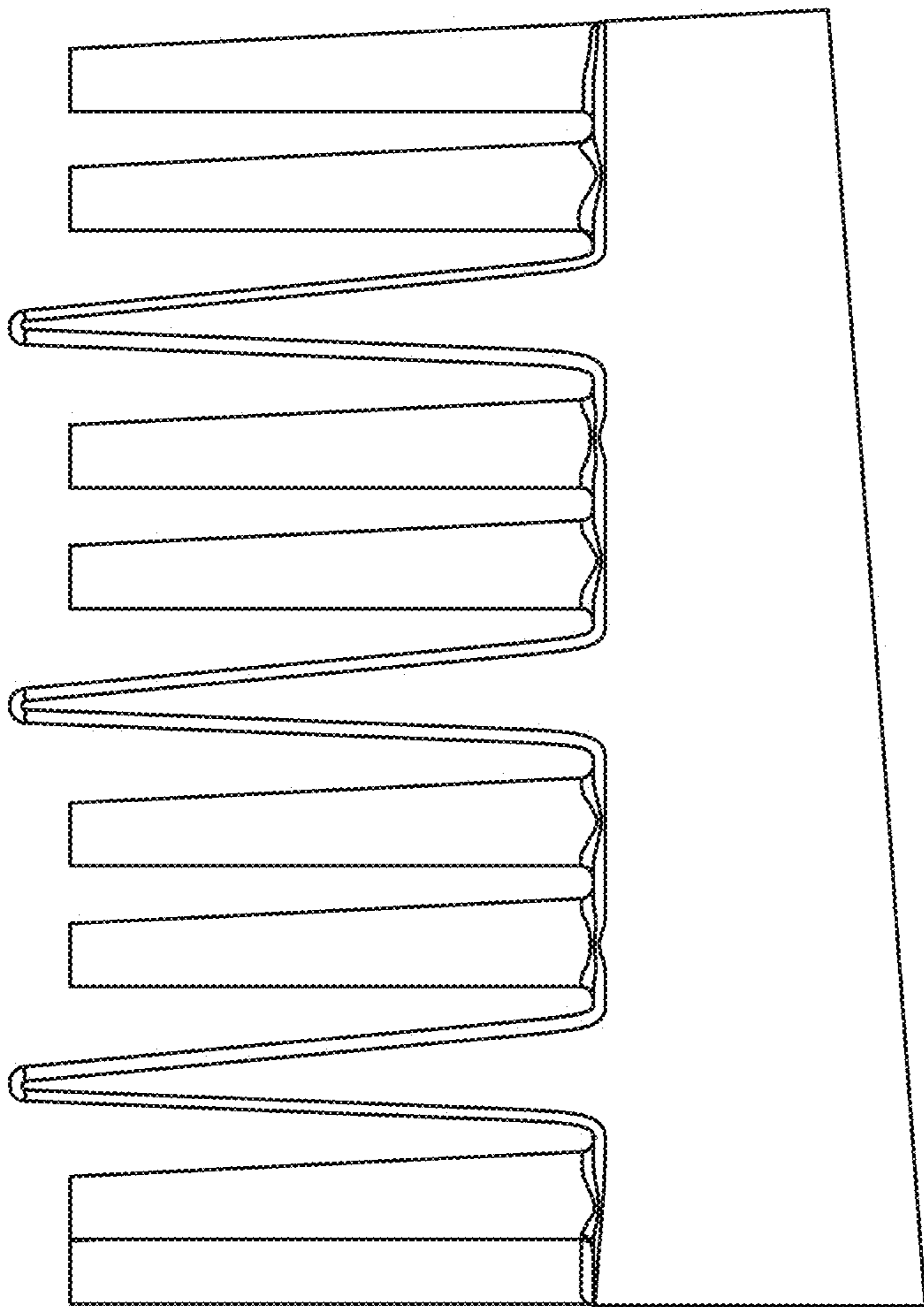


Fig. 2

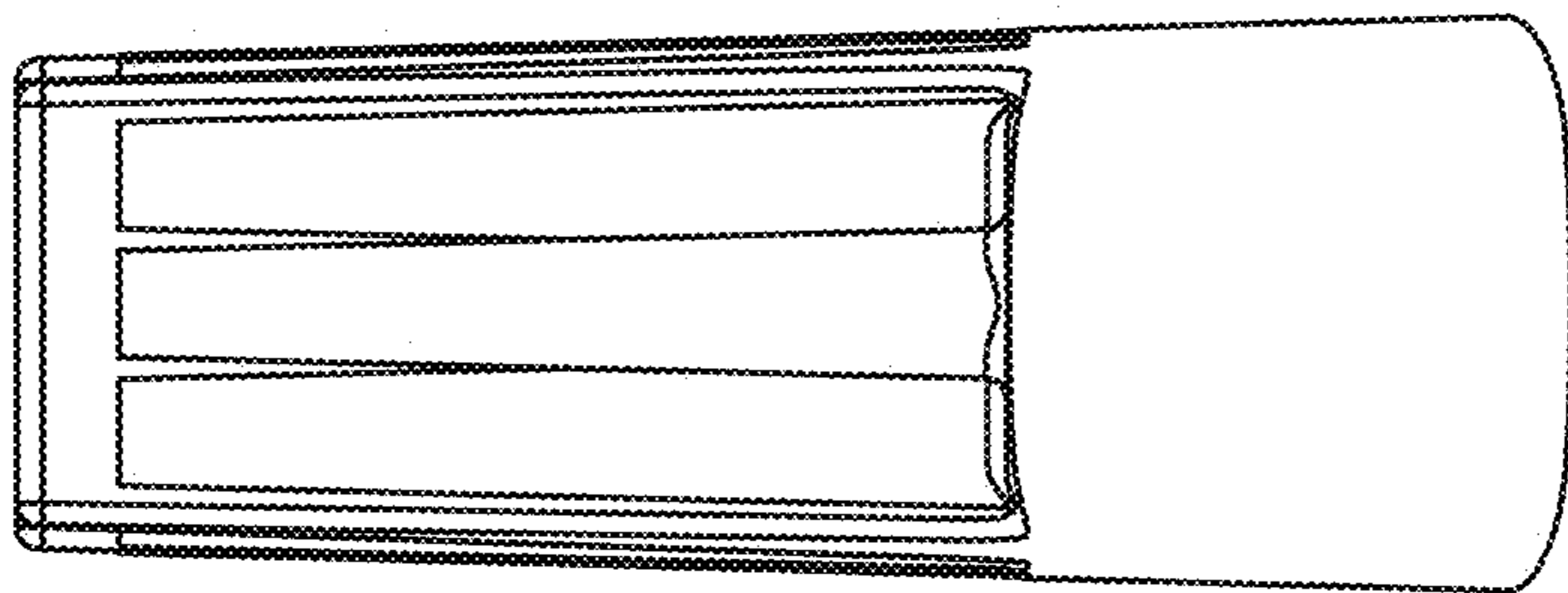


Fig. 3

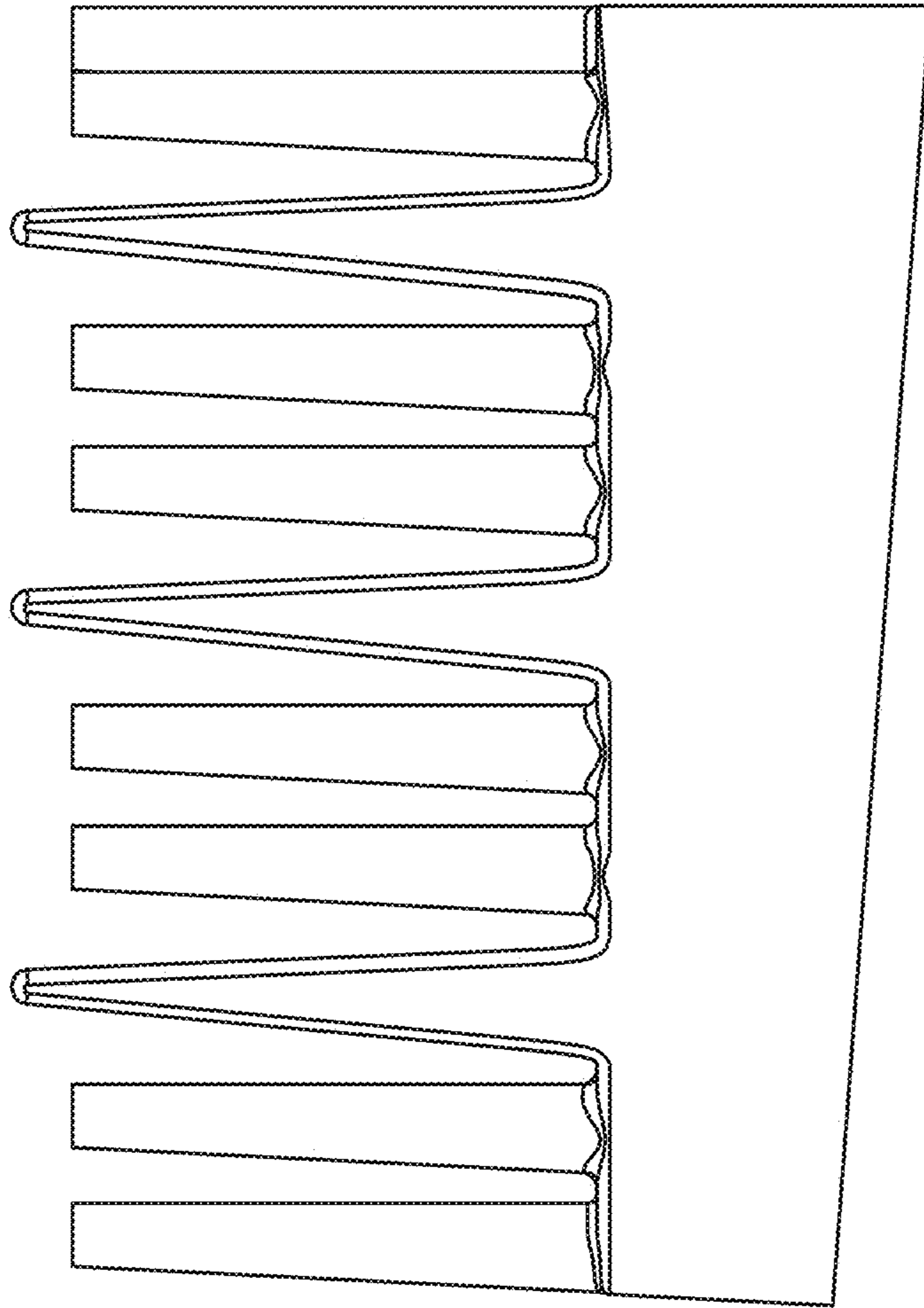


Fig. 4

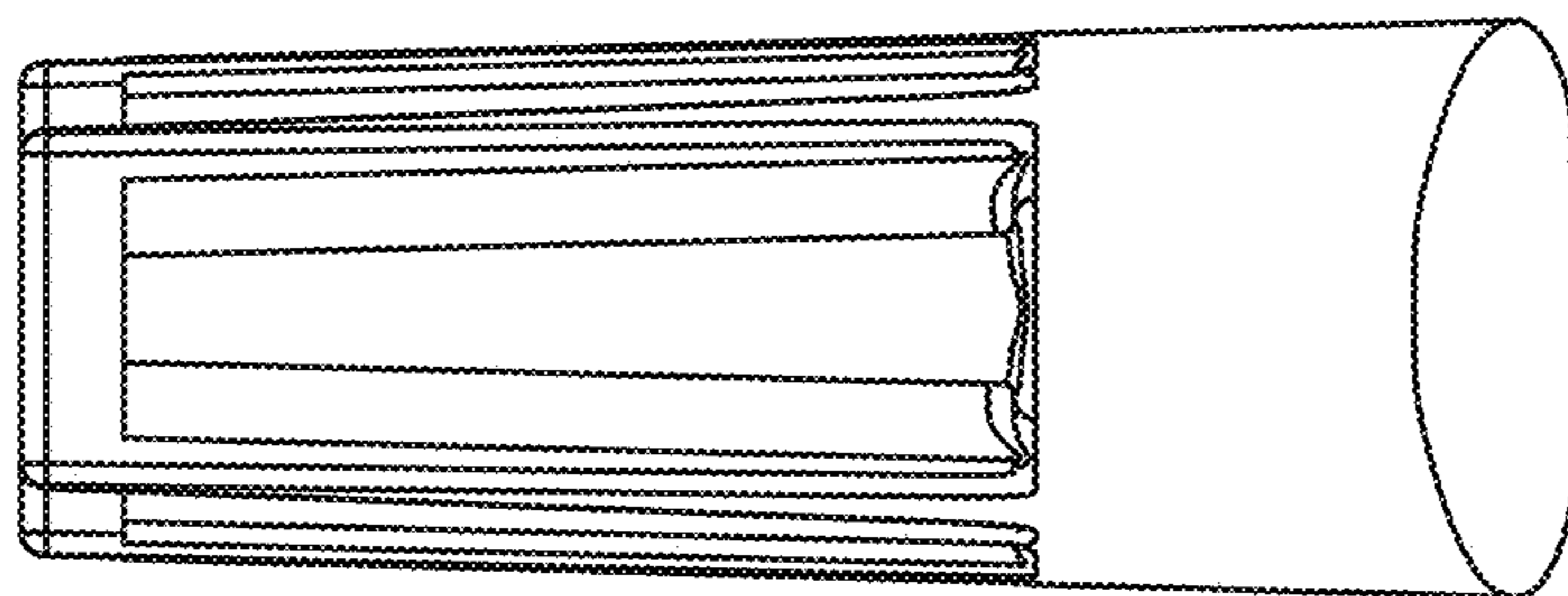


Fig. 5

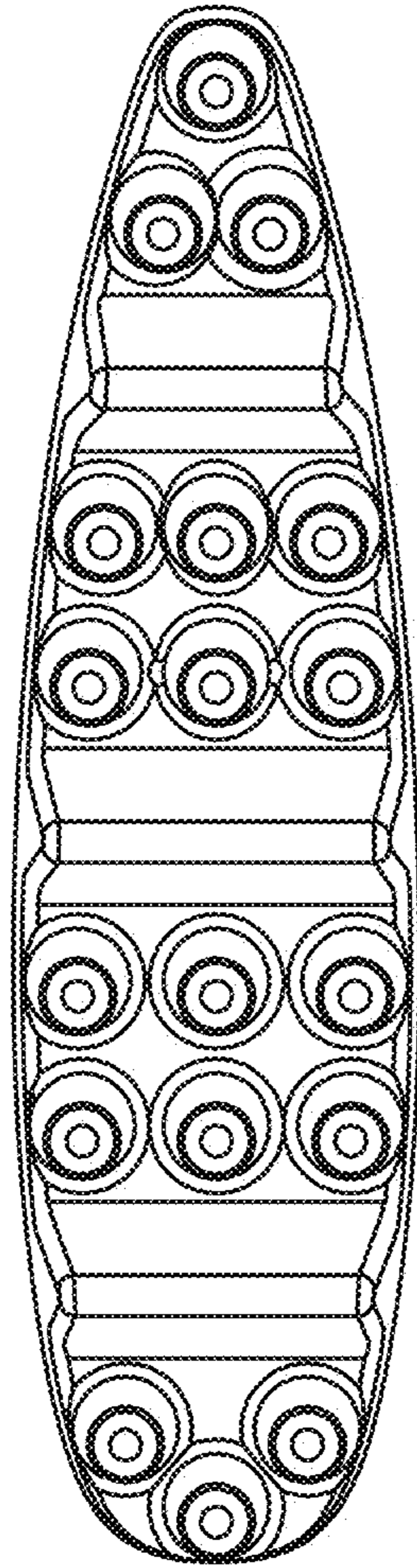


Fig. 6

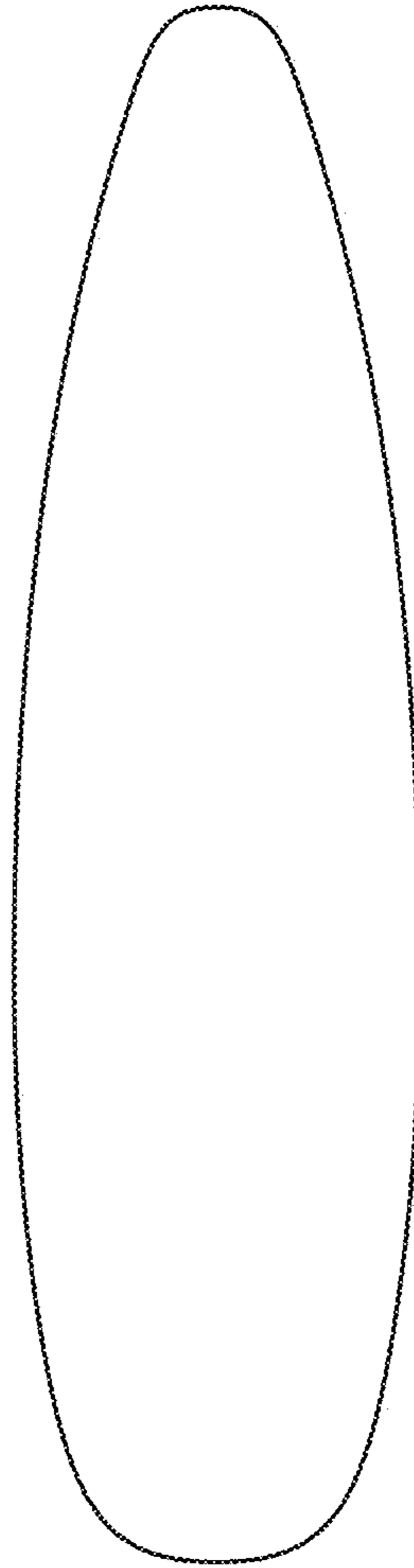


Fig. 7

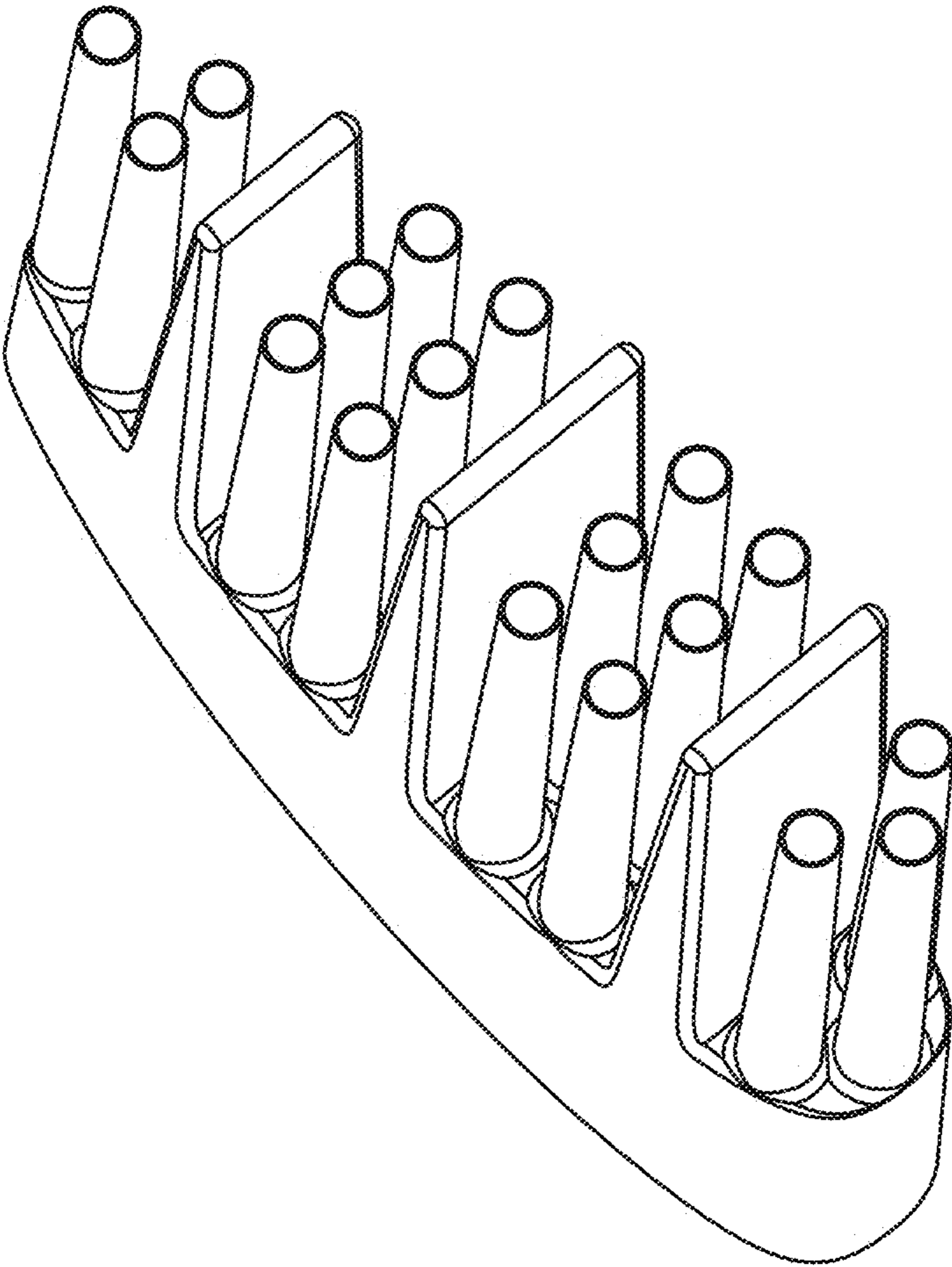


Fig. 8

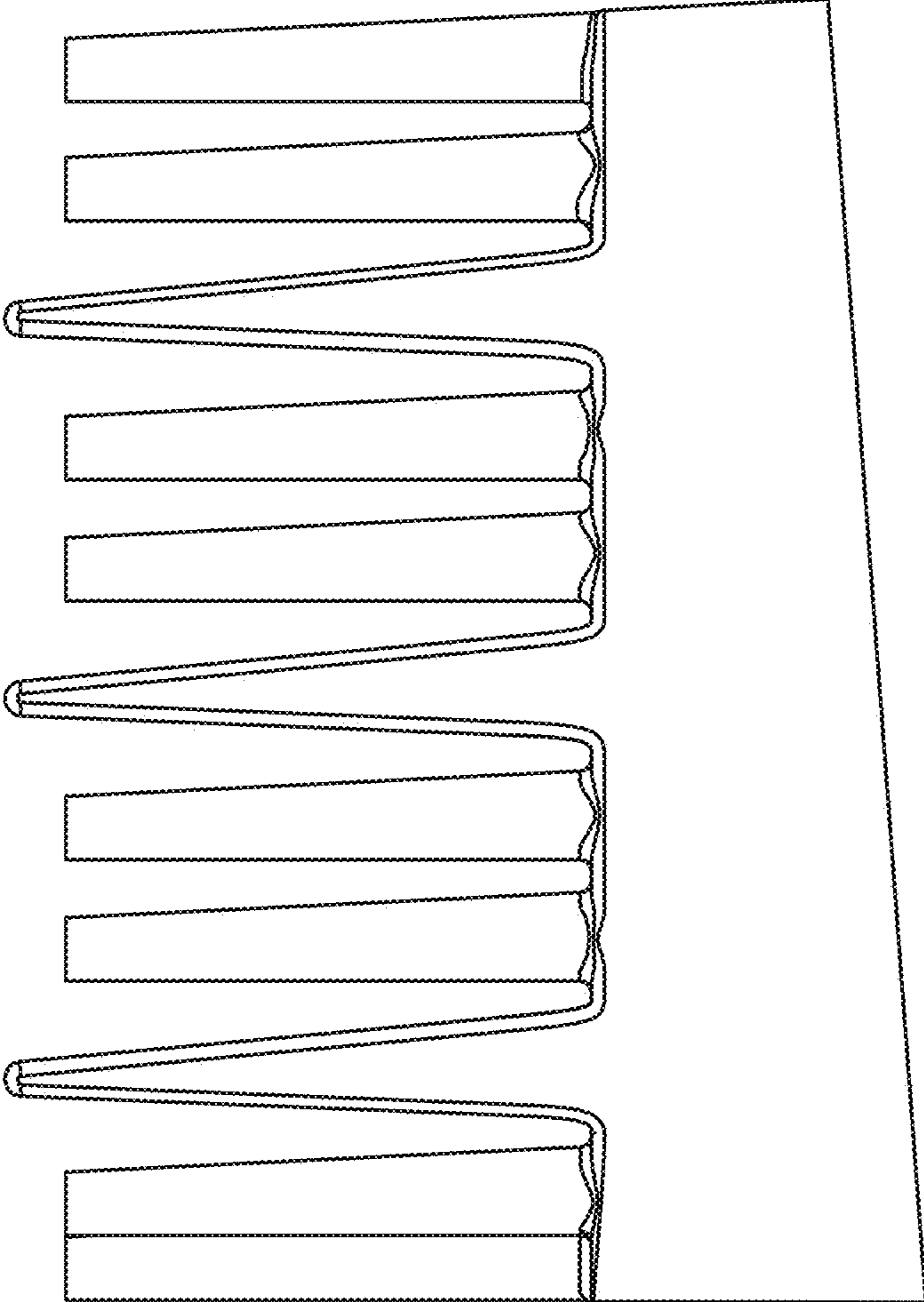


Fig. 9

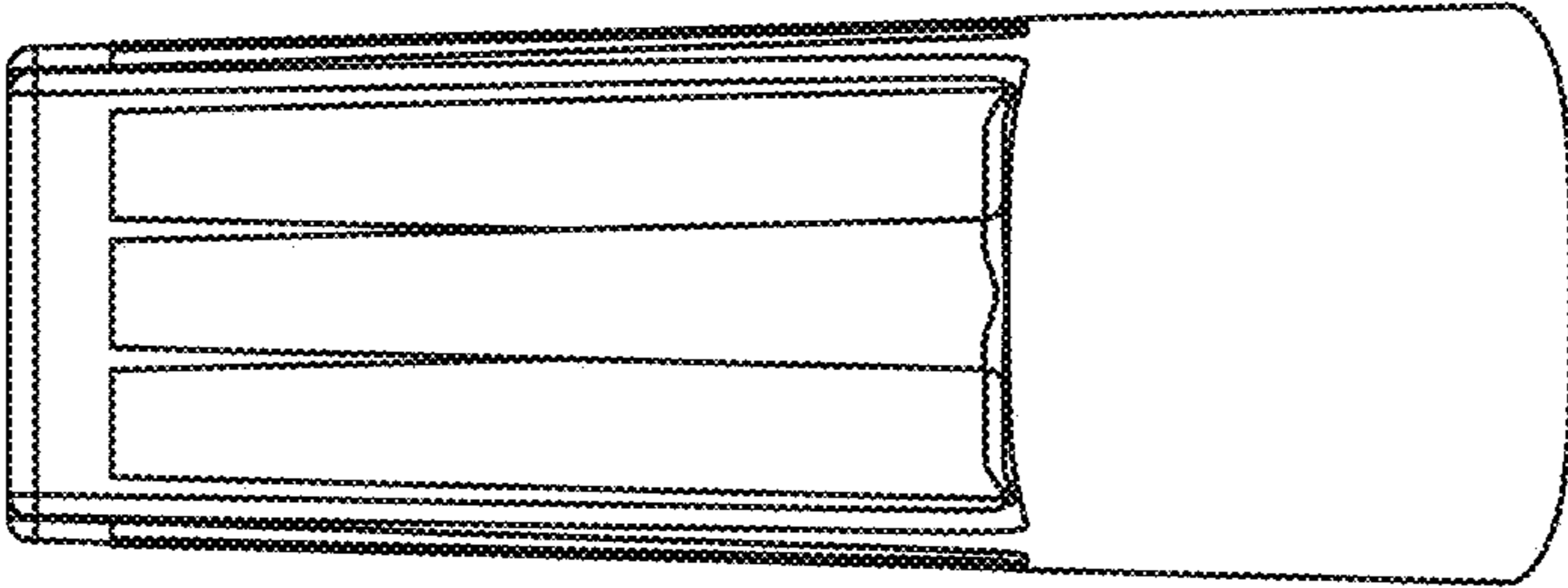


Fig. 10

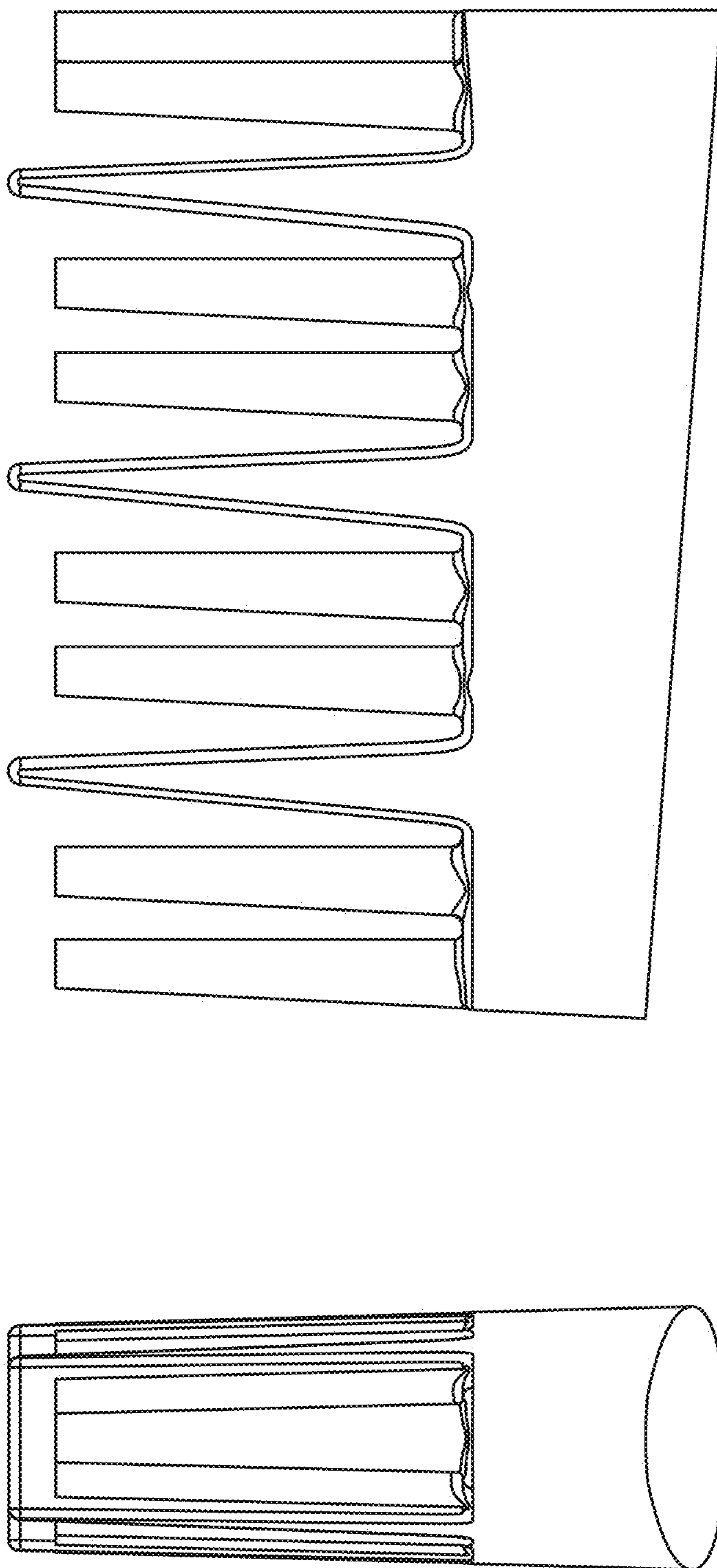


Fig. 11

Fig. 12



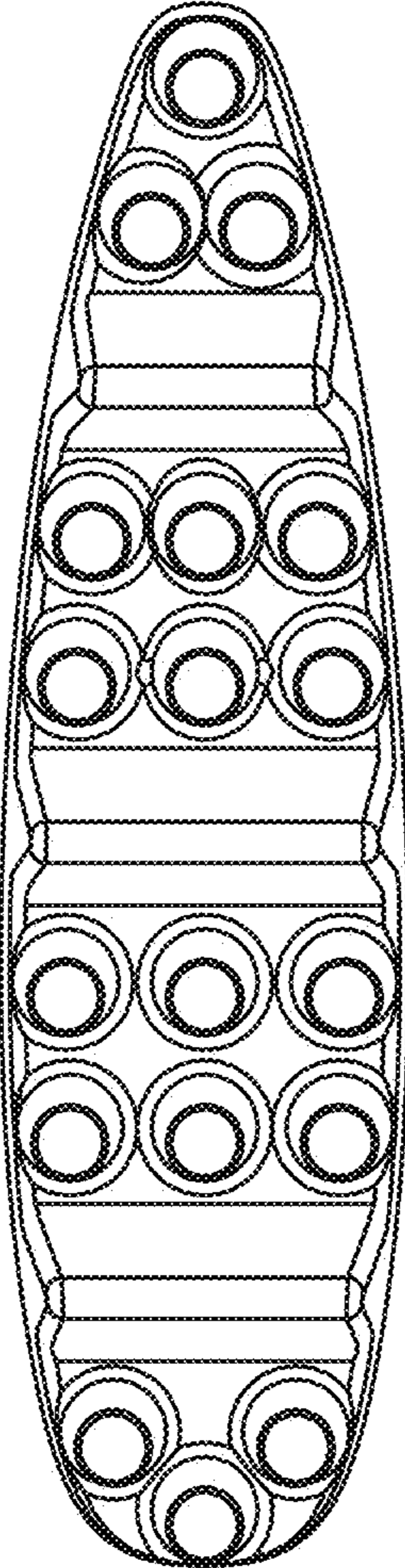


Fig. 13

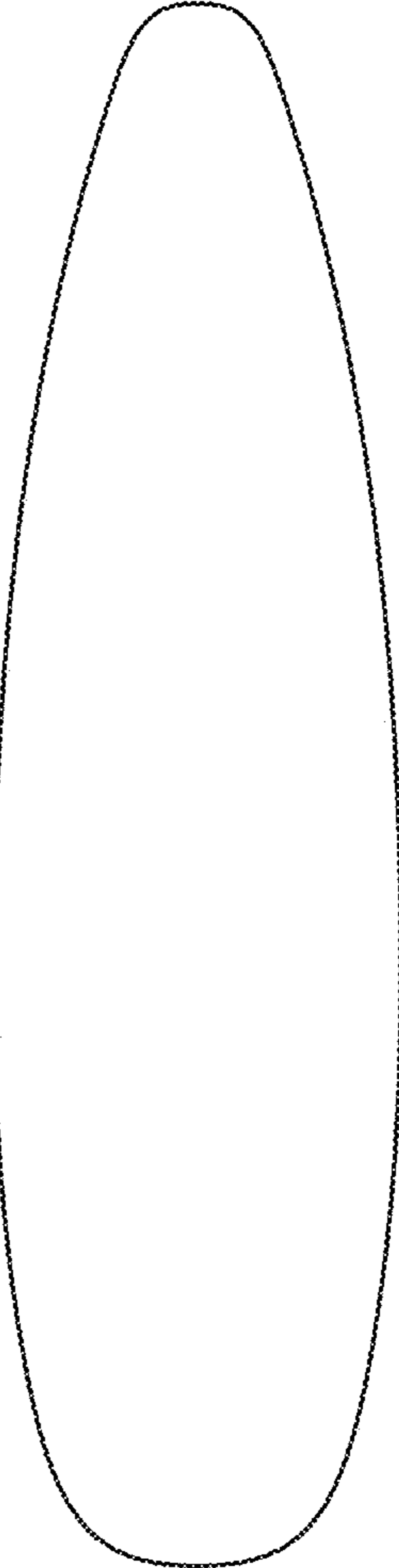


Fig. 14