



US00D693579S

(12) **United States Design Patent**
Weremchuk et al.

(10) **Patent No.:** **US D693,579 S**
(45) **Date of Patent:** **** Nov. 19, 2013**

- (54) **TOOL CASE**
- (71) Applicants: **Peter Weremchuk**, Simsbury, CT (US);
Matthew C. Green, Amherst, MA (US)
- (72) Inventors: **Peter Weremchuk**, Simsbury, CT (US);
Matthew C. Green, Amherst, MA (US)
- (73) Assignee: **Irwin Industrial Tool Company**,
Huntersville, NC (US)
- (**) Term: **14 Years**
- (21) Appl. No.: **29/444,535**
- (22) Filed: **Jan. 31, 2013**

6,868,967	B2	3/2005	Lam	
6,986,538	B1	1/2006	Ecker	
7,328,796	B2	2/2008	Brunson et al.	
D563,670	S	3/2008	Cornwell et al.	
D578,759	S	10/2008	Grenier et al.	
D579,202	S	10/2008	Grenier et al.	
7,552,742	B2	6/2009	Dole	
7,699,176	B2	4/2010	Lin	
7,824,137	B2	11/2010	Vasudeva et al.	
D650,173	S	12/2011	Lima et al.	
D650,585	S	12/2011	Jamison et al.	
2005/0072701	A1	4/2005	Allan et al.	
2006/0201833	A1*	9/2006	Chen	206/349
2008/0011634	A1	1/2008	Lin	
2008/0014035	A1	1/2008	Perkovich et al.	
2008/0078684	A1	4/2008	Lin	
2009/0169317	A1	7/2009	Rae	

* cited by examiner

Related U.S. Application Data

- (60) Division of application No. 29/420,595, filed on May 10, 2012, now Pat. No. Des. 676,654, which is a continuation of application No. 13/453,604, filed on Apr. 23, 2012.
- (51) **LOC (9) Cl.** **03-01**
- (52) **U.S. Cl.**
USPC **D3/318; D3/294**
- (58) **Field of Classification Search**
USPC **D3/272, 294, 318; 206/503-507,**
206/509-510, 514-515, 518
See application file for complete search history.

(56) **References Cited**

U.S. PATENT DOCUMENTS

4,199,060	A	4/1980	Howard
5,918,741	A	7/1999	Vasudeva
6,119,859	A	9/2000	Wen
D477,714	S	7/2003	Cunningham et al.
D481,868	S	11/2003	Cunningham et al.

Primary Examiner — Holly Baynham

(74) *Attorney, Agent, or Firm* — McCarter & English, LLP

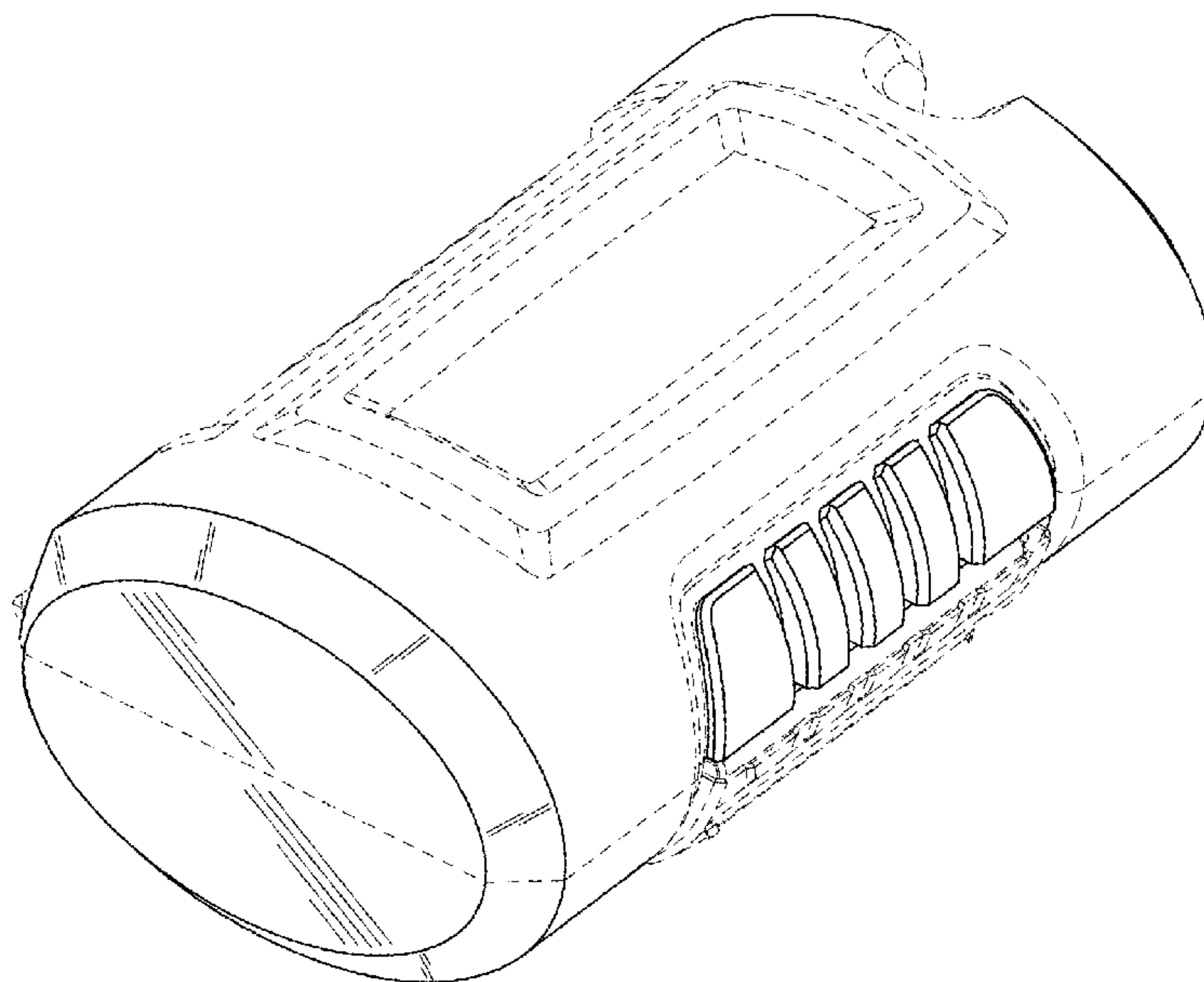
(57) **CLAIM**

The ornamental design for a tool case, as shown and described.

DESCRIPTION

FIG. 1 is a perspective view of a tool case showing the present invention;
 FIG. 2 is a left elevational view thereof;
 FIG. 3 is a right elevational view thereof;
 FIG. 4 is a top plan view thereof;
 FIG. 5 is a bottom plan view thereof;
 FIG. 6 is a rear elevational view thereof; and,
 FIG. 7 is a front elevational view thereof.
 The broken lines showing structure are for the purposes of illustrating environment and form no part of the claimed design.

1 Claim, 7 Drawing Sheets



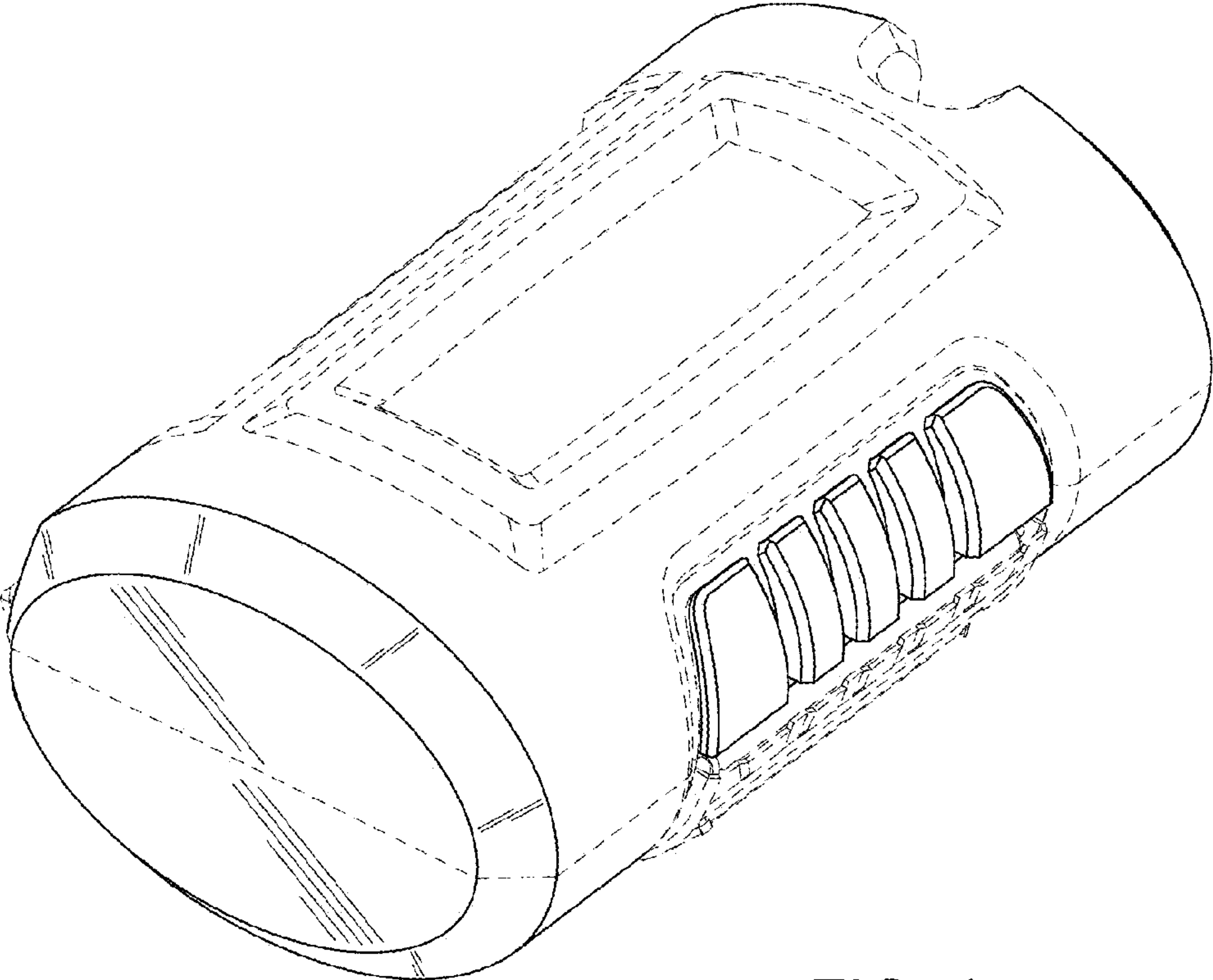


FIG. 1

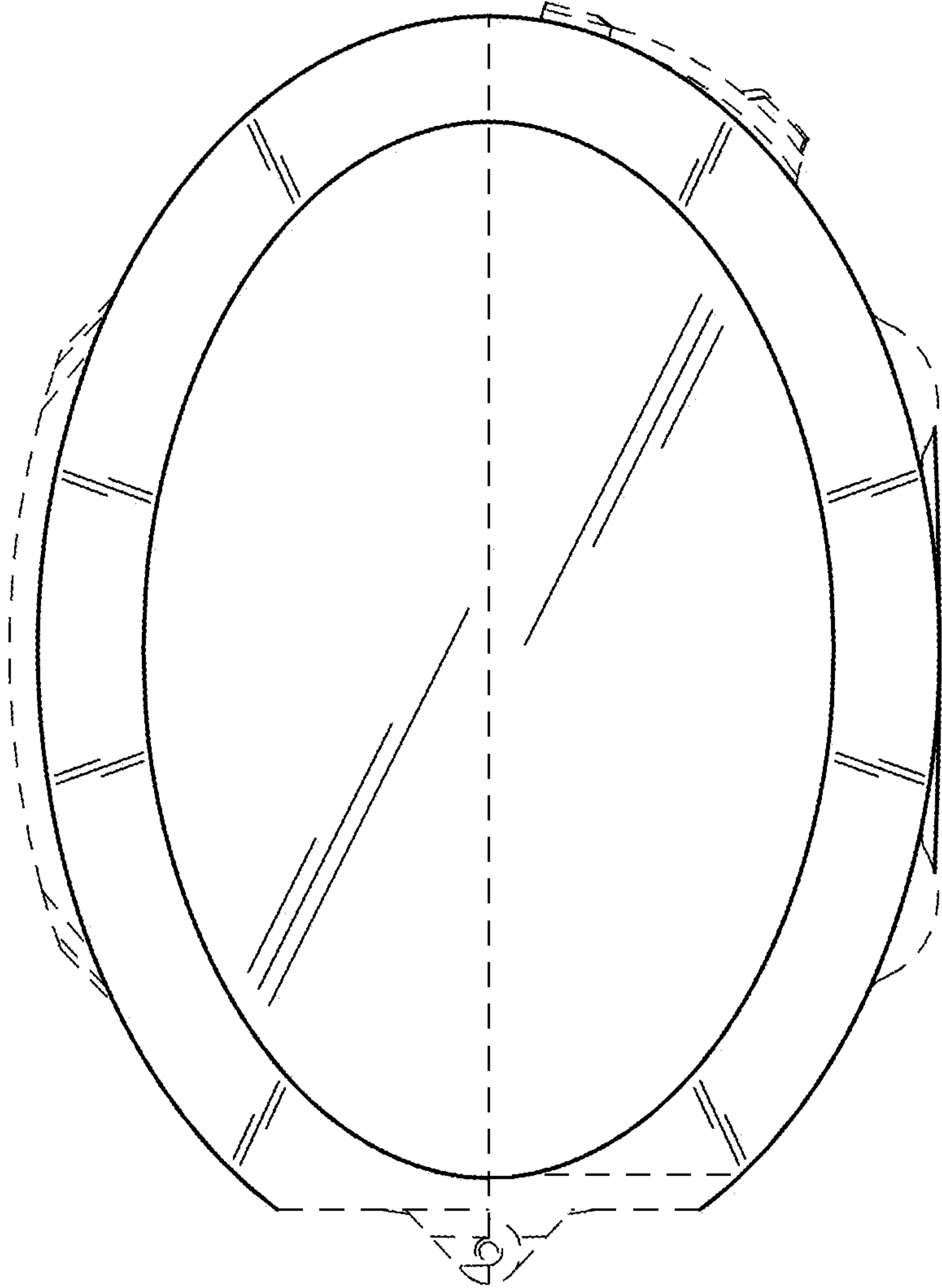


FIG. 2

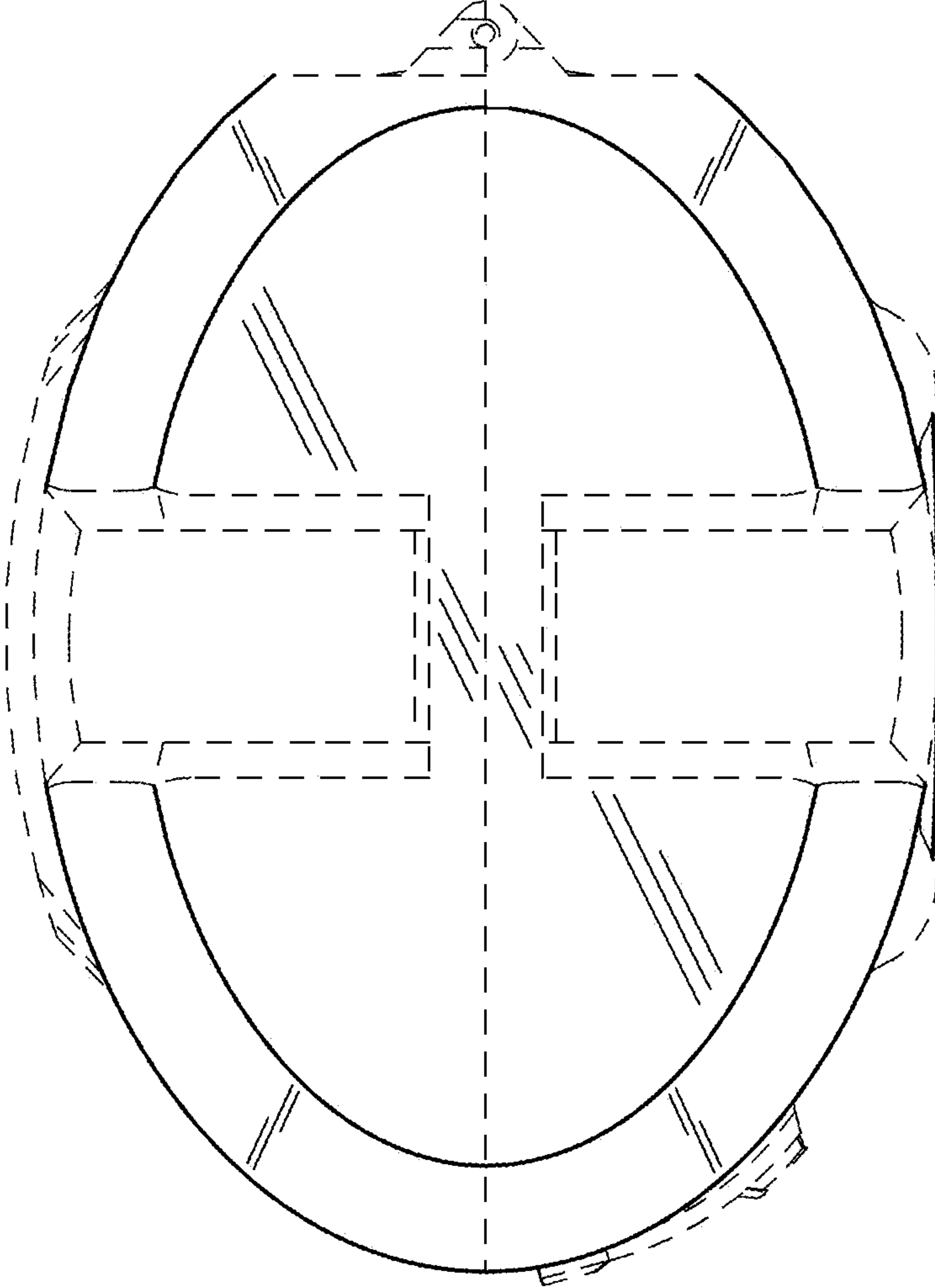


FIG. 3

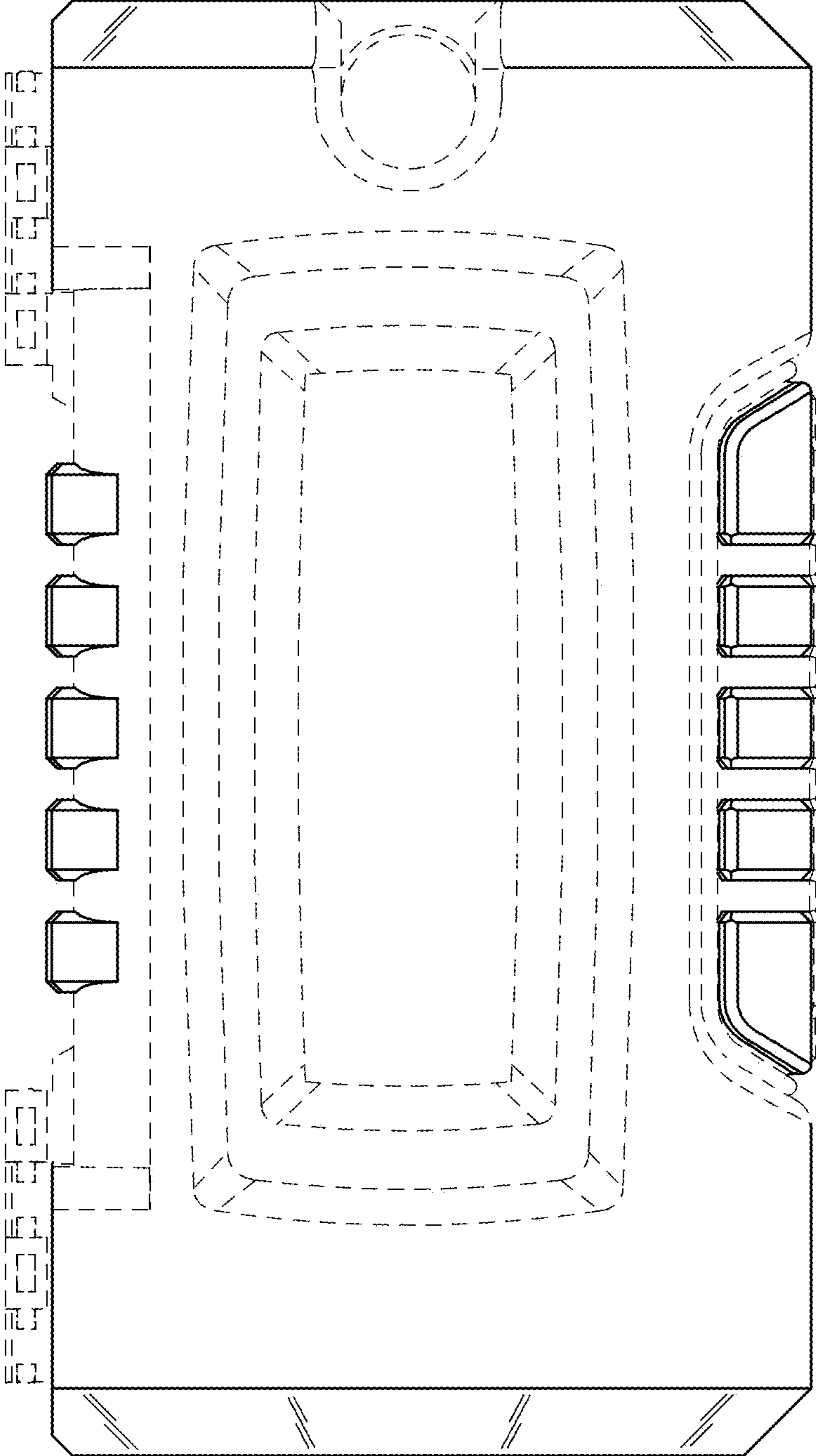


FIG. 4

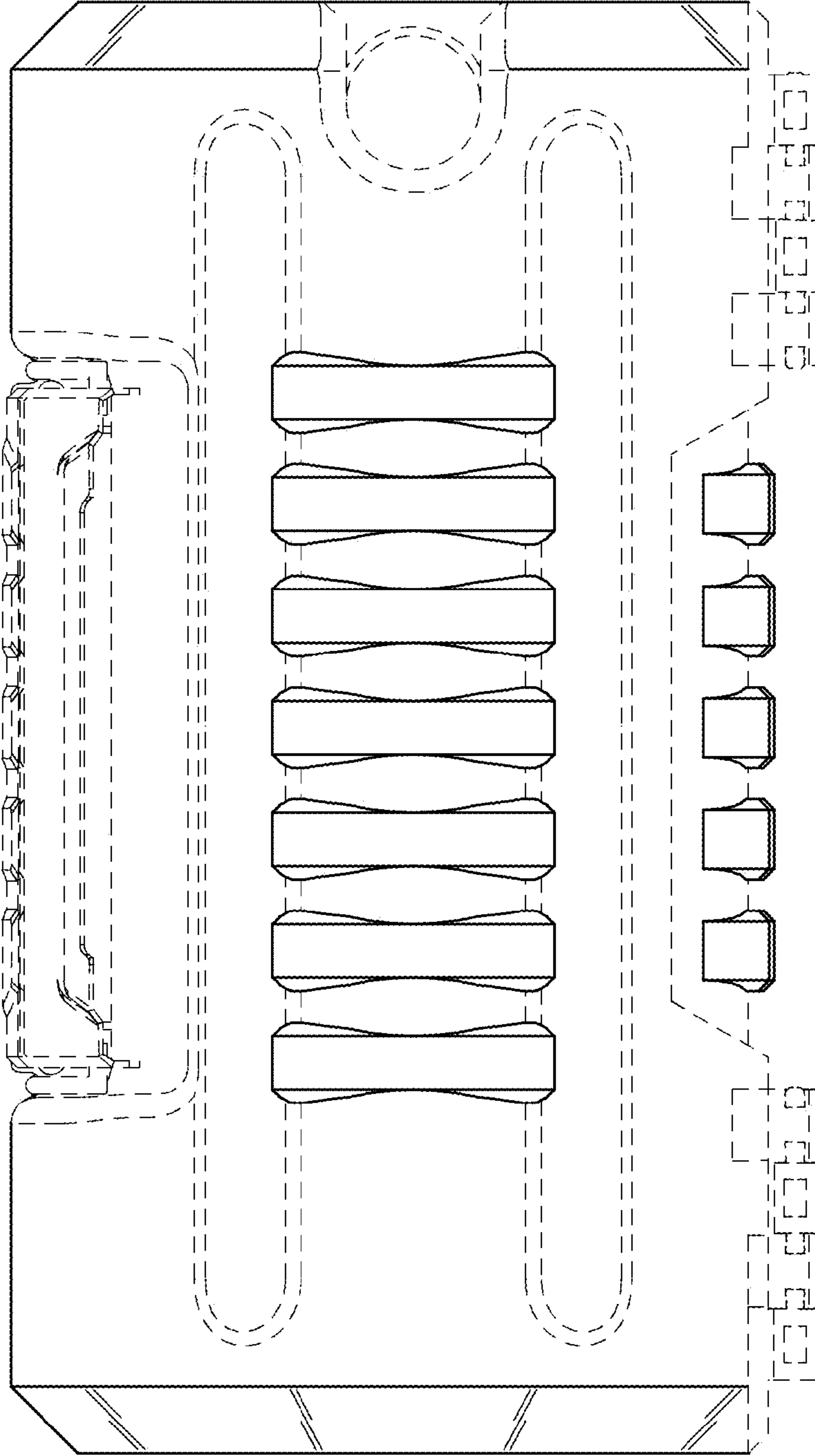


FIG. 5

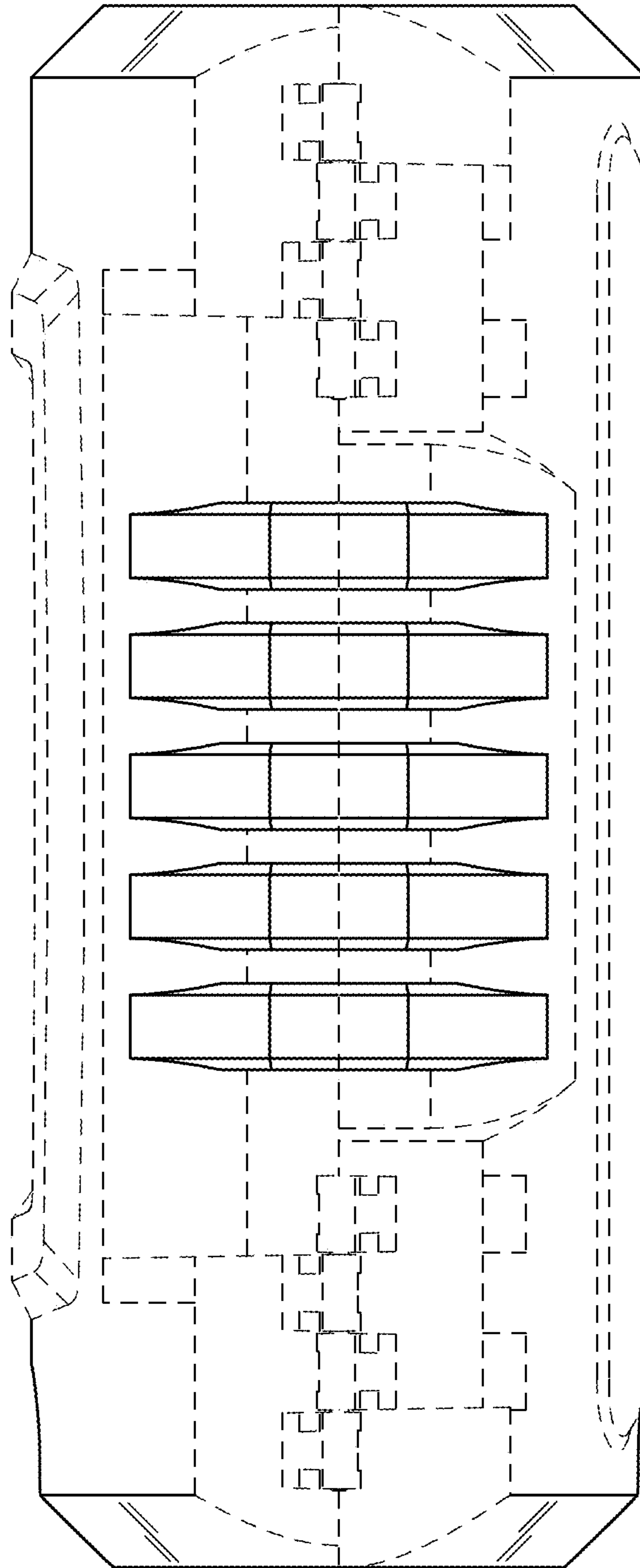


FIG. 6

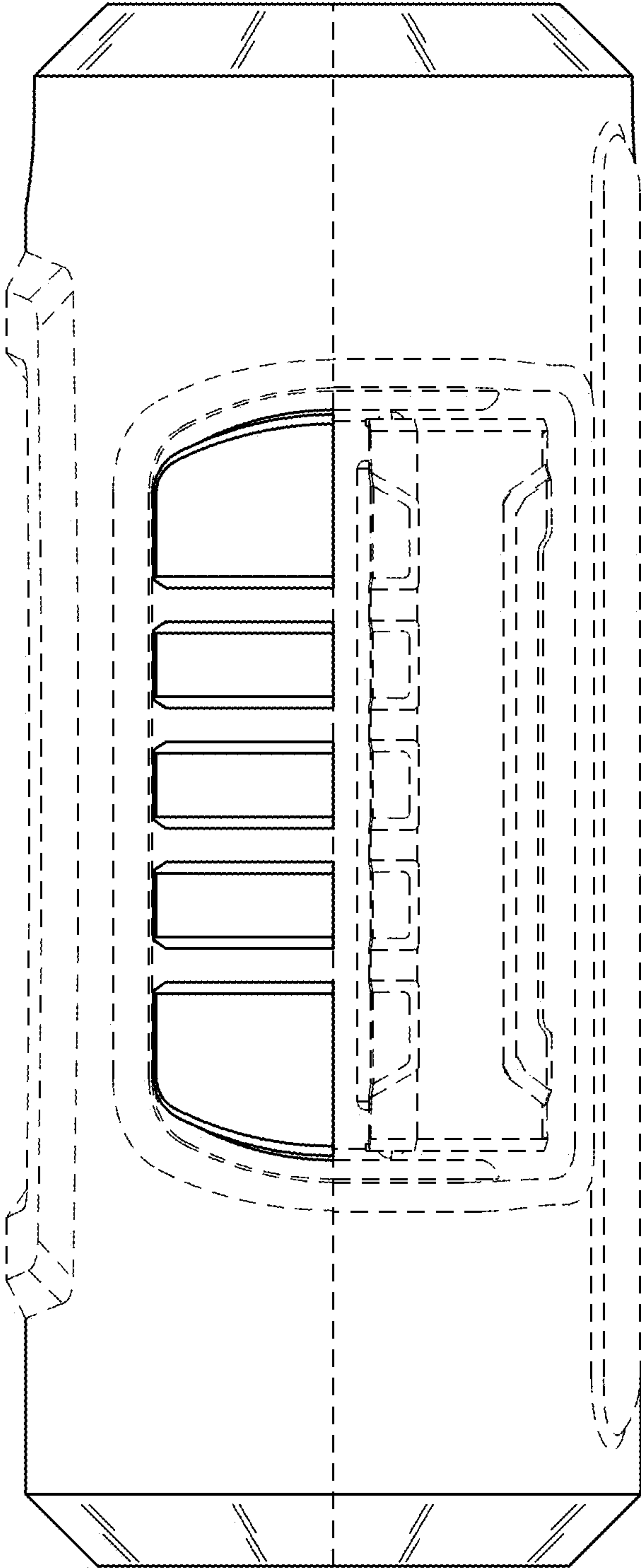


FIG. 7