



US00D693577S

(12) **United States Design Patent**
Goodman et al.

(10) **Patent No.:** **US D693,577 S**

(45) **Date of Patent:** **** Nov. 19, 2013**

(54) **BASKET**

(71) Applicant: **Spectrum Diversified Designs, Inc.**,
Streetsboro, OH (US)

(72) Inventors: **Sheldon Goodman**, Solon, OH (US);
Phaysouk Xayoiphonh, Akron, OH
(US)

(73) Assignee: **Spectrum Diversified Designs, Inc.**,
Streetsboro, OH (US)

(**) Term: **14 Years**

(21) Appl. No.: **29/440,409**

(22) Filed: **Dec. 21, 2012**

(51) **LOC (9) Cl.** **03-01**

(52) **U.S. Cl.**
USPC **D3/306**

(58) **Field of Classification Search**
USPC D3/201, 304, 306-309; D9/429;
220/914; D19/75-77, 86, 92; 206/203,
206/214-215, 822, 307.1; 229/100, 406,
229/915

See application file for complete search history.

(56) **References Cited**

U.S. PATENT DOCUMENTS

D343,712 S * 1/1994 Linder D6/513
D348,760 S * 7/1994 Linder D3/306

(Continued)

Primary Examiner — Kelley Donnelly

(74) *Attorney, Agent, or Firm* — Benesch Friedlander
Coplan & Aronoff LLP

(57) **CLAIM**

What is claimed is the ornamental design for an ornamental basket, as shown and described.

DESCRIPTION

FIG. 1 is a perspective view of an ornamental basket showing a new design;

FIG. 2 is a front view of the ornamental basket of FIG. 1;

FIG. 3 is a right side view of the ornamental basket of FIG. 1;

FIG. 4 is a rear view of the ornamental basket of FIG. 1;

FIG. 5 is a top view of the ornamental basket of FIG. 1;

FIG. 6 is a bottom view of the ornamental basket of FIG. 1;

FIG. 7 is a perspective view of another embodiment of the ornamental basket;

FIG. 8 is a front view of the ornamental basket of FIG. 7;

FIG. 9 is a rear view of the ornamental basket of FIG. 7;

FIG. 10 is a right side view of the ornamental basket of FIG. 7;

FIG. 11 is a top view of the ornamental basket of FIG. 7;

FIG. 12 is a bottom view of the ornamental basket of FIG. 7;

FIG. 13 is a perspective view of another embodiment of the ornamental basket;

FIG. 14 is a front view of the ornamental basket of FIG. 13;

FIG. 15 is a rear view of the ornamental basket of FIG. 13;

FIG. 16 is a right side view of the ornamental basket of FIG. 13;

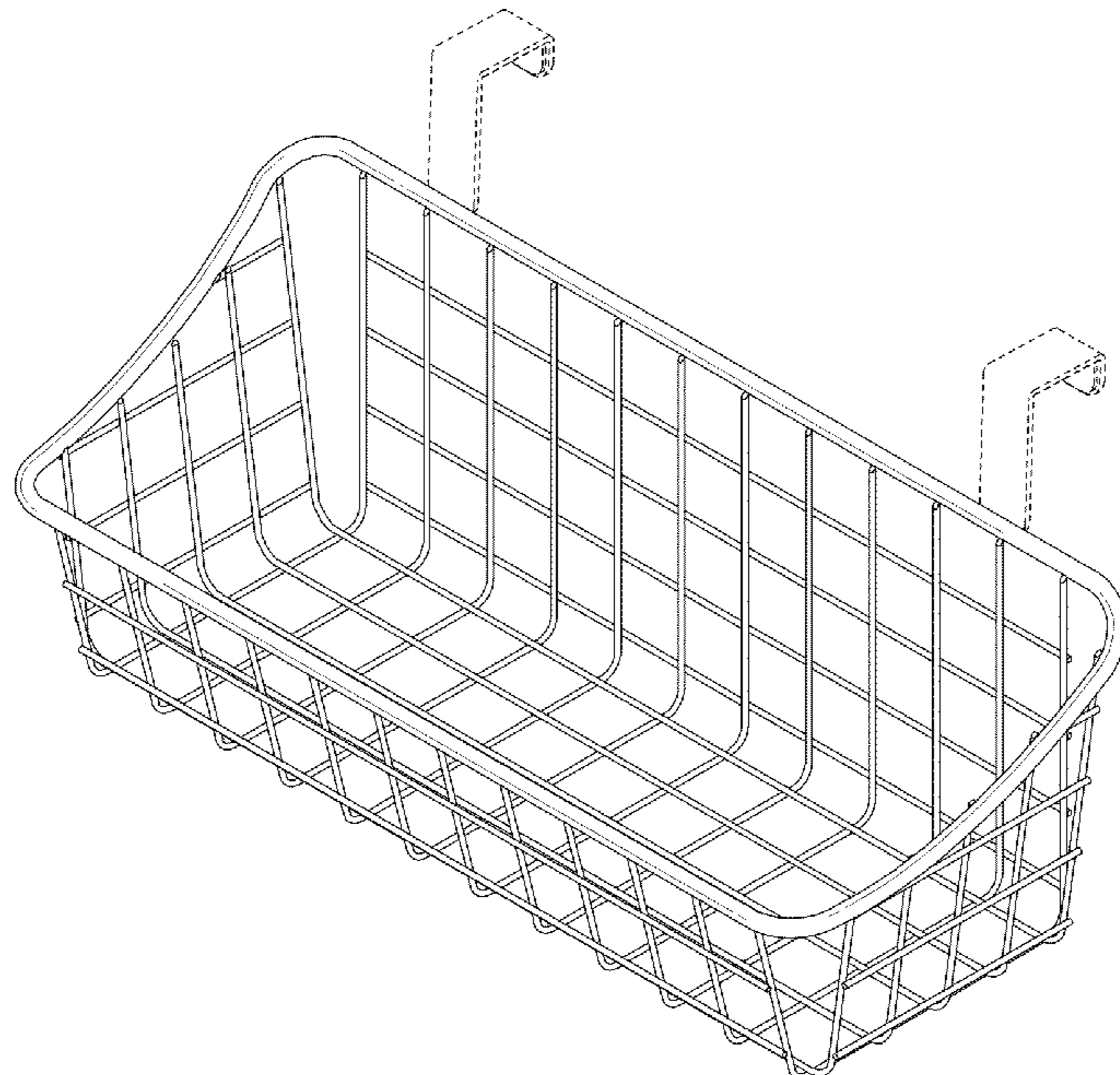
FIG. 17 is a top view of the ornamental basket of FIG. 13;

FIG. 18 is a bottom view of the ornamental basket of FIG. 13;

and,
FIG. 19 is a perspective view another embodiment of the ornamental basket.

The components of the display shown in broken lines illustrate environment of the article only and form no part of the claimed design. Further, the vertical and diagonal broken lines are not meant to be indicative of any specified colors.

1 Claim, 10 Drawing Sheets



(56)

References Cited

U.S. PATENT DOCUMENTS

D450,213 S *	11/2001	Snell	D6/566	D508,321 S *	8/2005	Anderson et al.	D6/566
D458,640 S *	6/2002	Hofman	D19/90	D540,091 S *	4/2007	Snell	D6/566
D464,516 S *	10/2002	Snell	D6/566	D545,060 S *	6/2007	Cheng	D3/306
D472,735 S *	4/2003	Haugen	D6/462	D554,419 S *	11/2007	Thompson et al.	D6/566
D475,411 S *	6/2003	Hardy et al.	D19/90	D579,660 S *	11/2008	Snider	D3/304
D477,144 S *	7/2003	Remmers	D3/306	D587,038 S *	2/2009	Goodman et al.	D6/462
D498,632 S *	11/2004	Anderson et al.	D6/566	D588,815 S *	3/2009	Ghiorghie	D3/304
D507,108 S *	7/2005	Suero, Jr.	D3/304	D615,328 S *	5/2010	Snider	D6/510
D508,167 S *	8/2005	Anderson et al.	D6/566	D651,405 S *	1/2012	Lee	D3/304
				D677,055 S *	3/2013	Nowicky et al.	D3/304
				D683,963 S *	6/2013	Tsai	D3/304

* cited by examiner

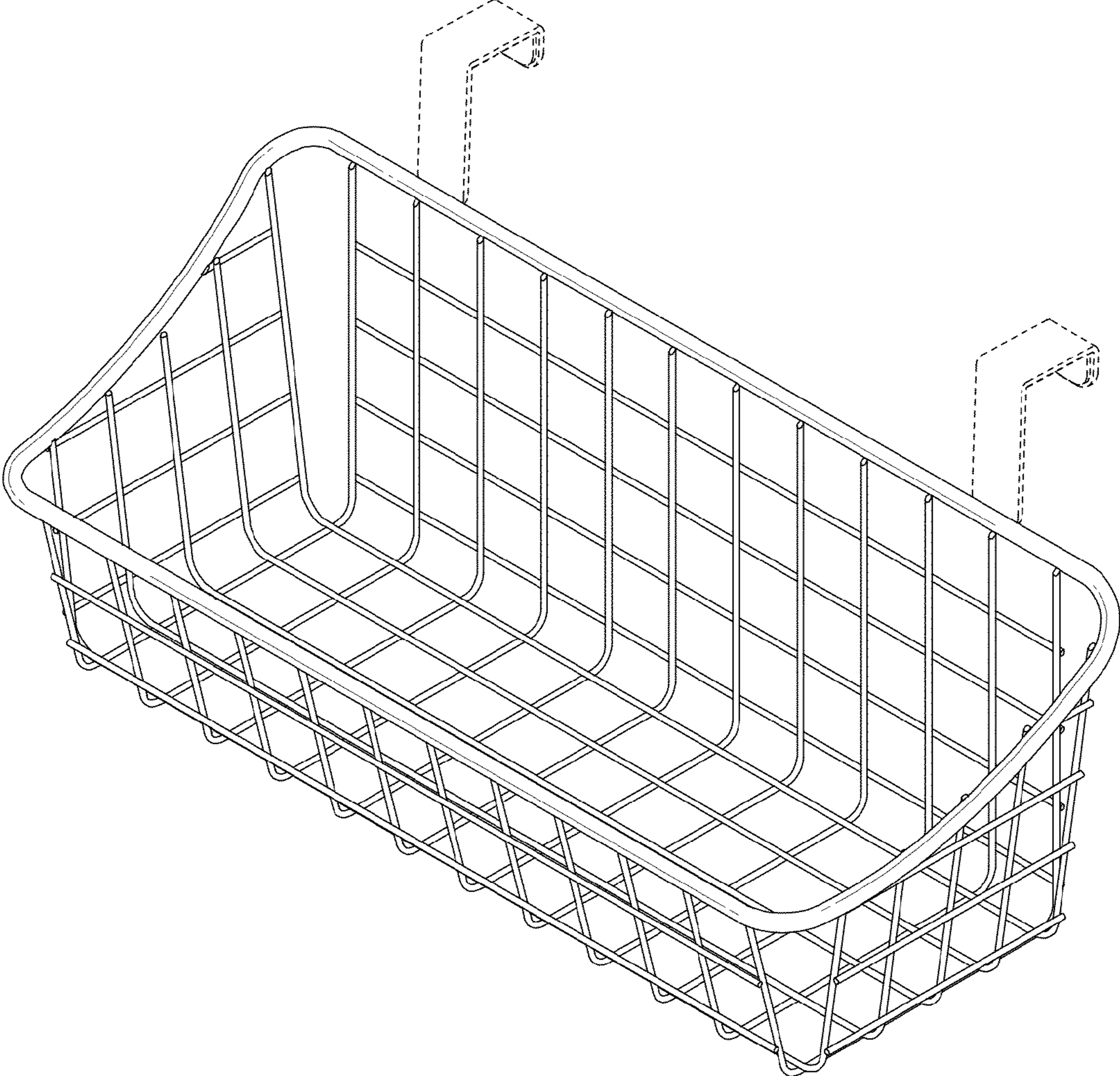


FIG 1

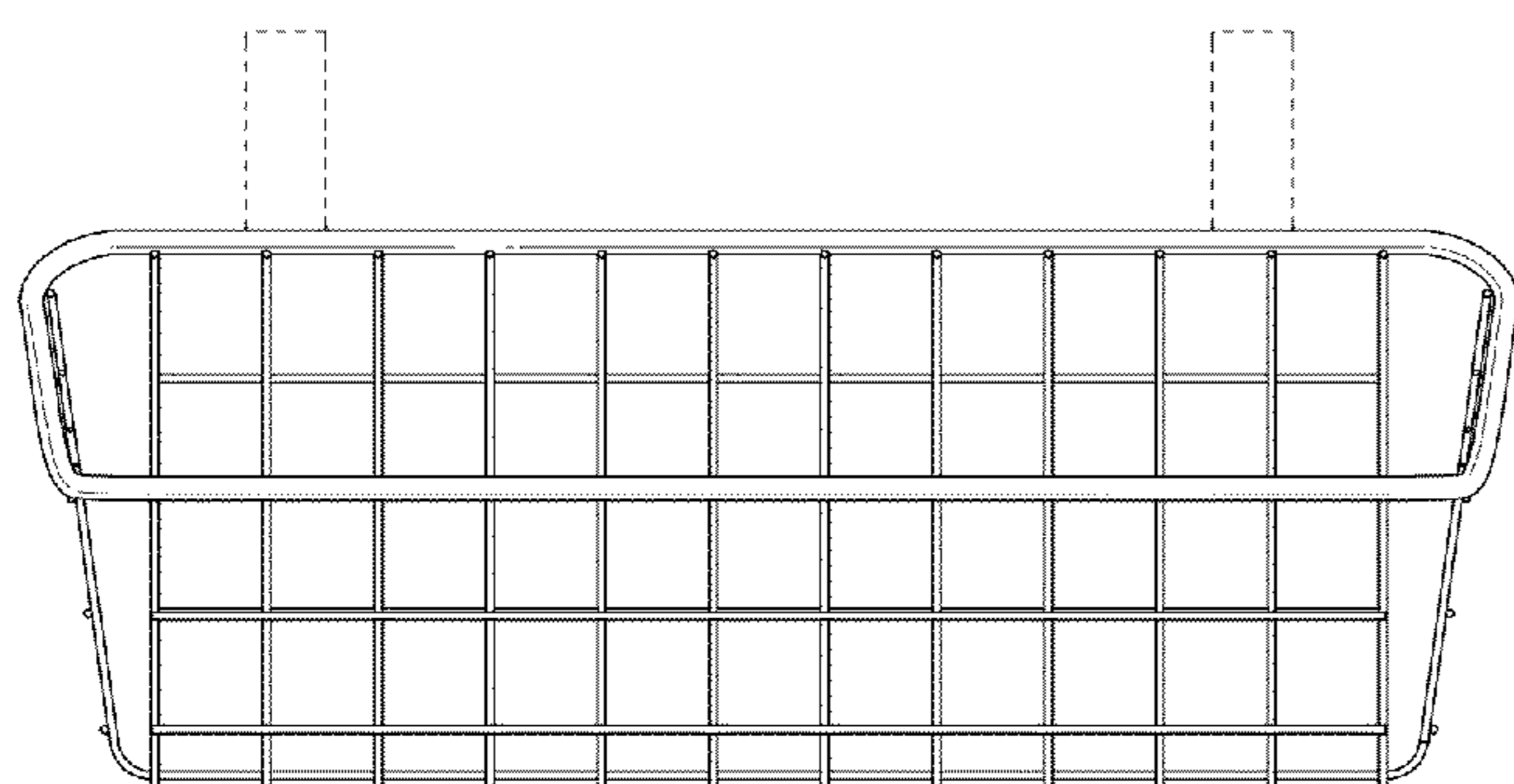


FIG 2

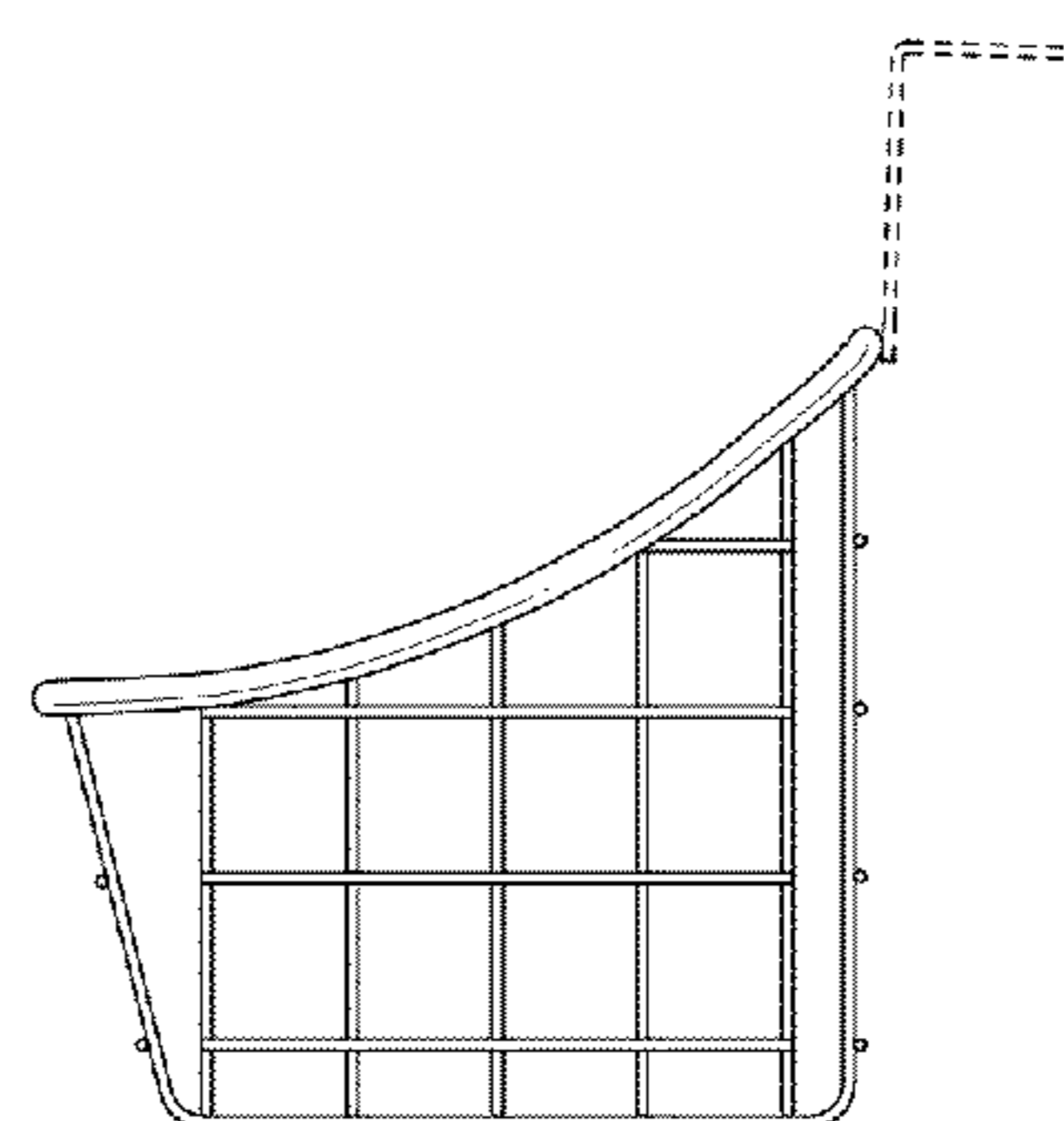


FIG 3

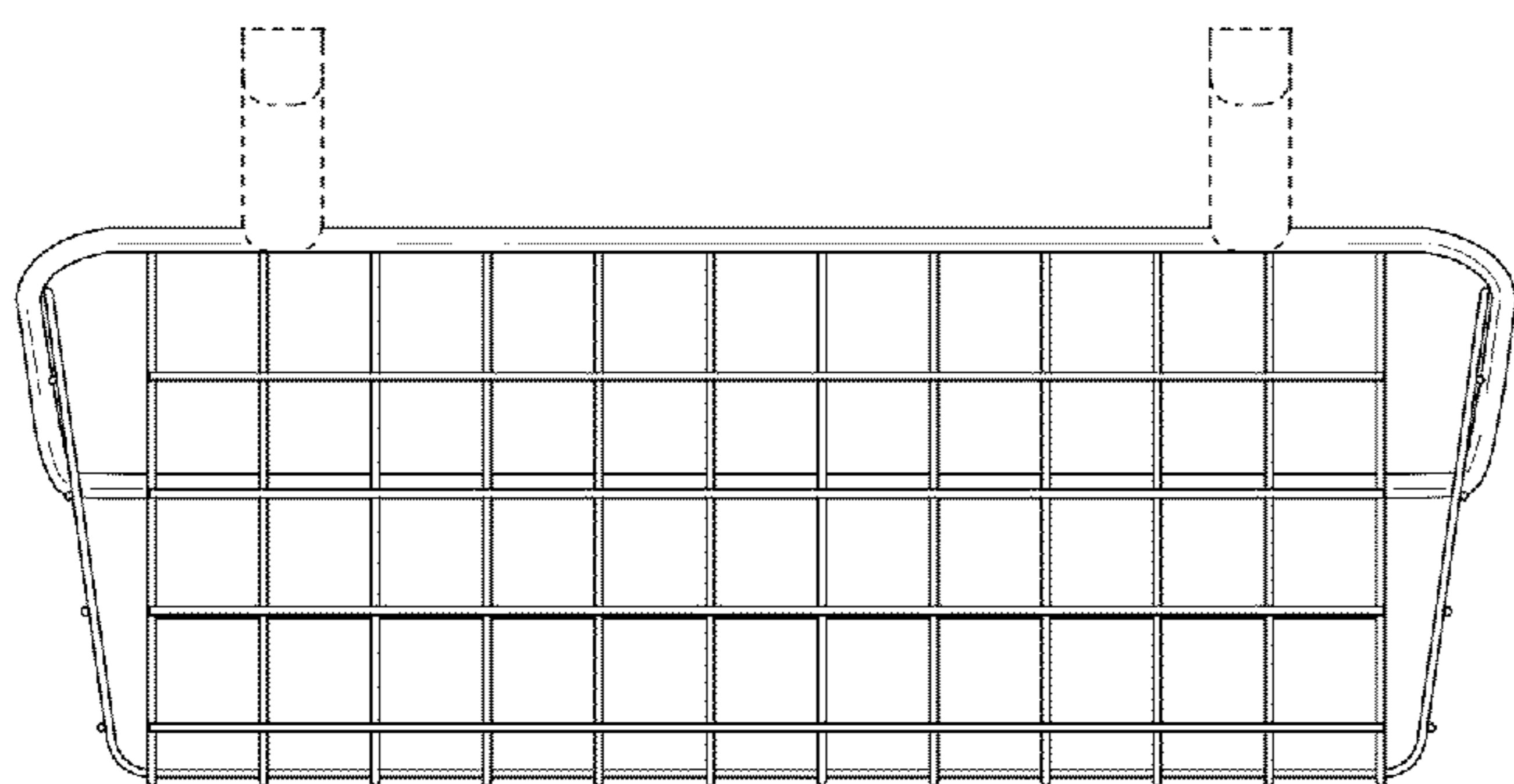


FIG 4

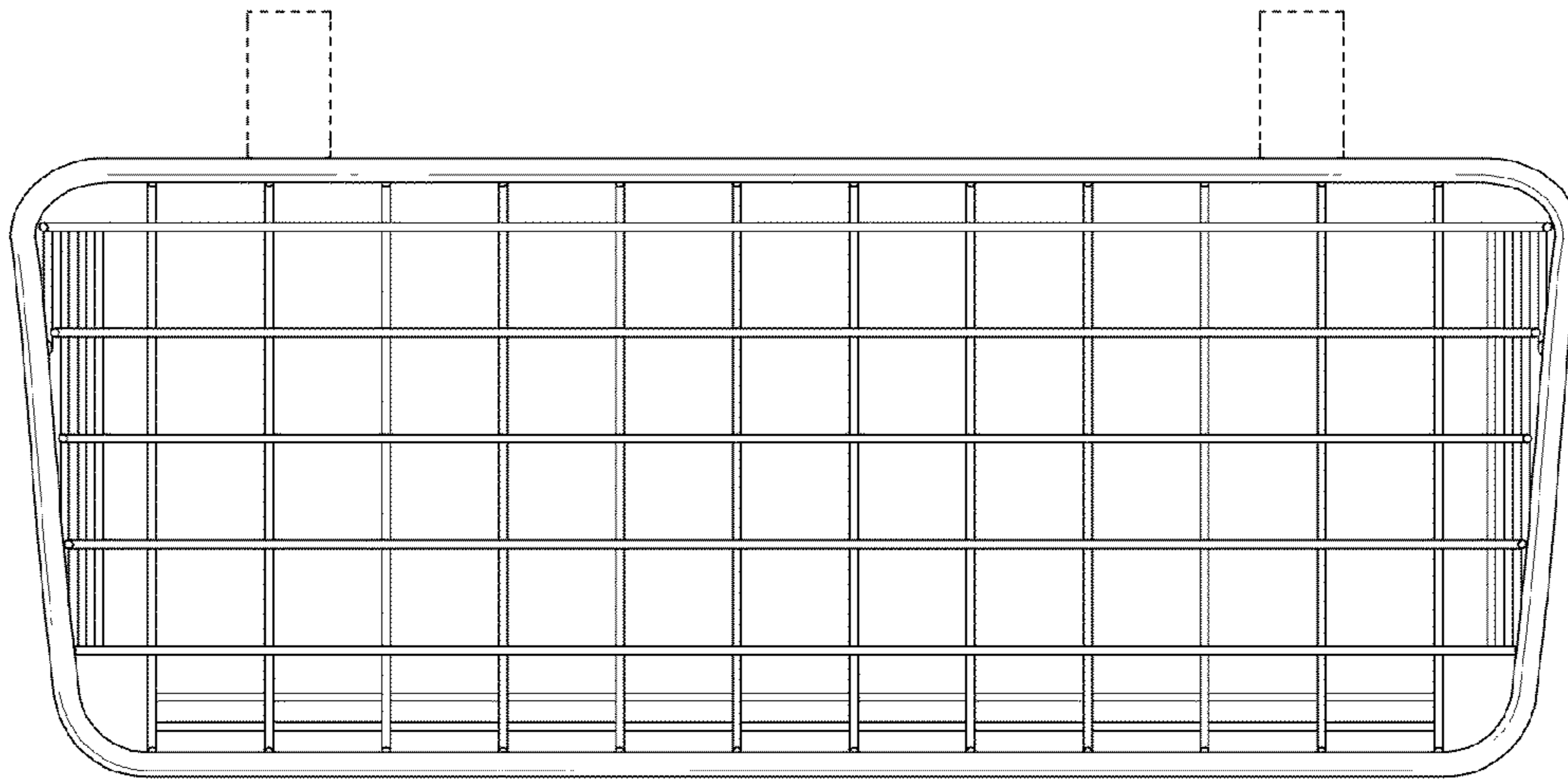


FIG 5

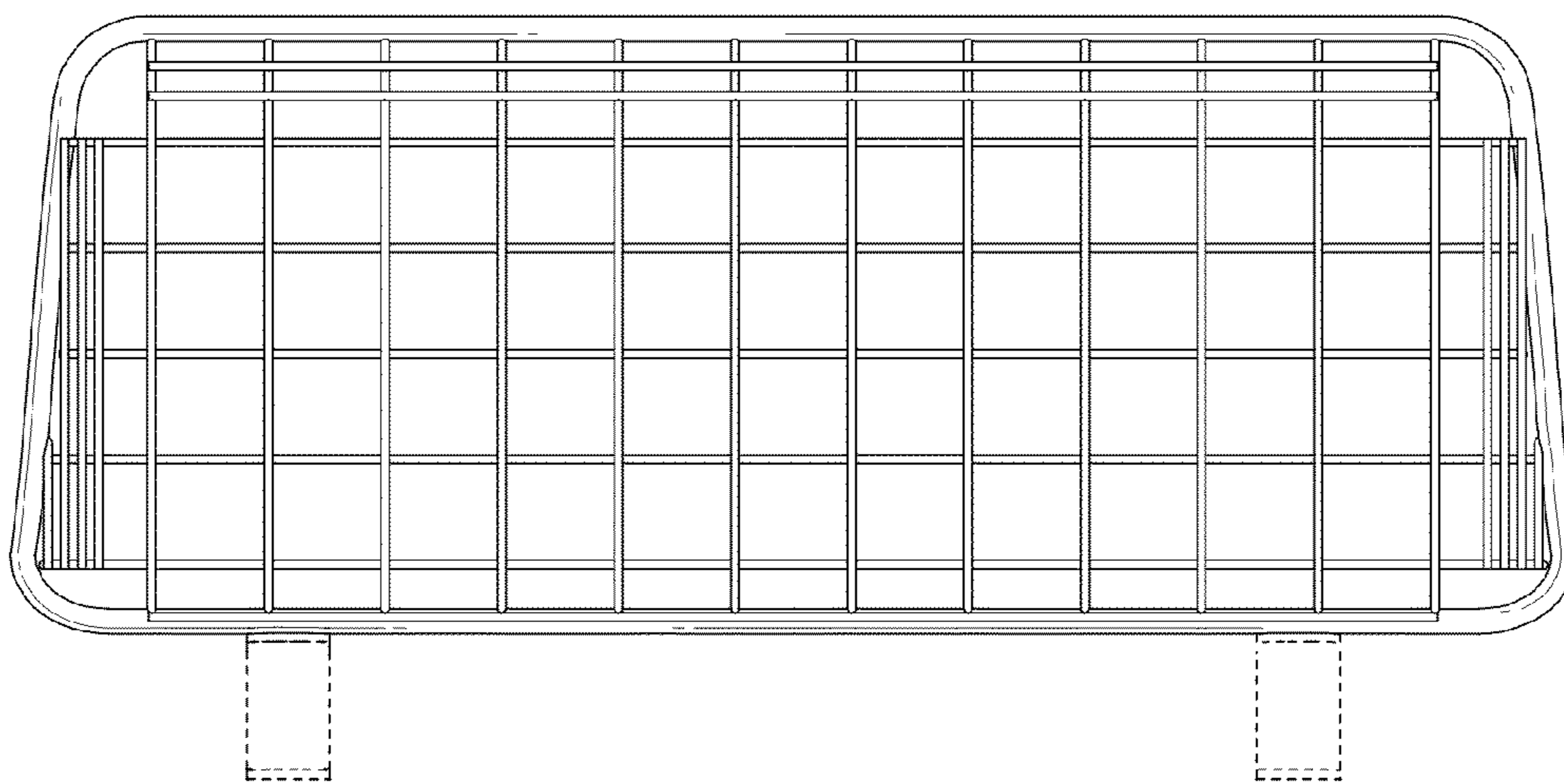


FIG 6

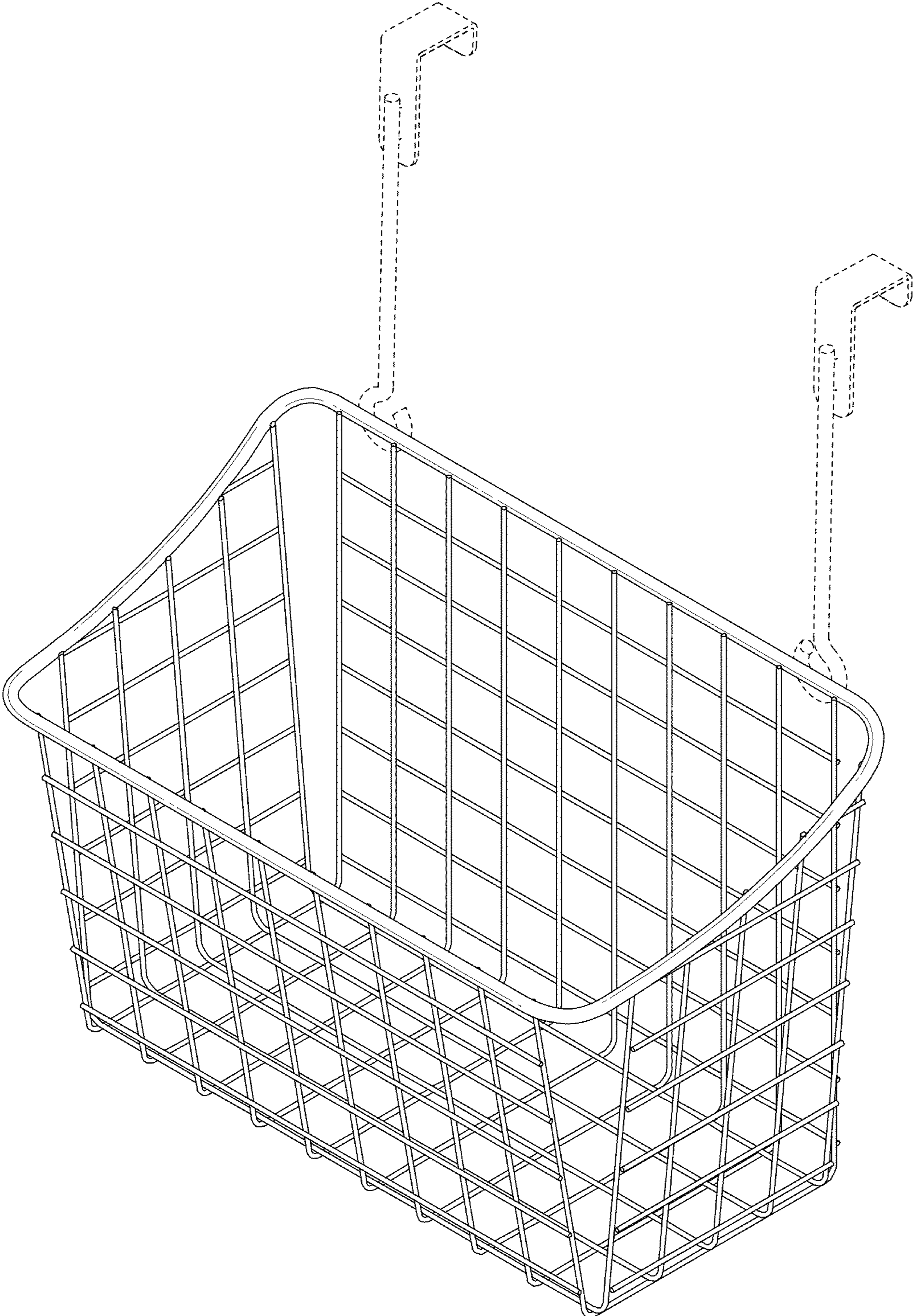


FIG 7

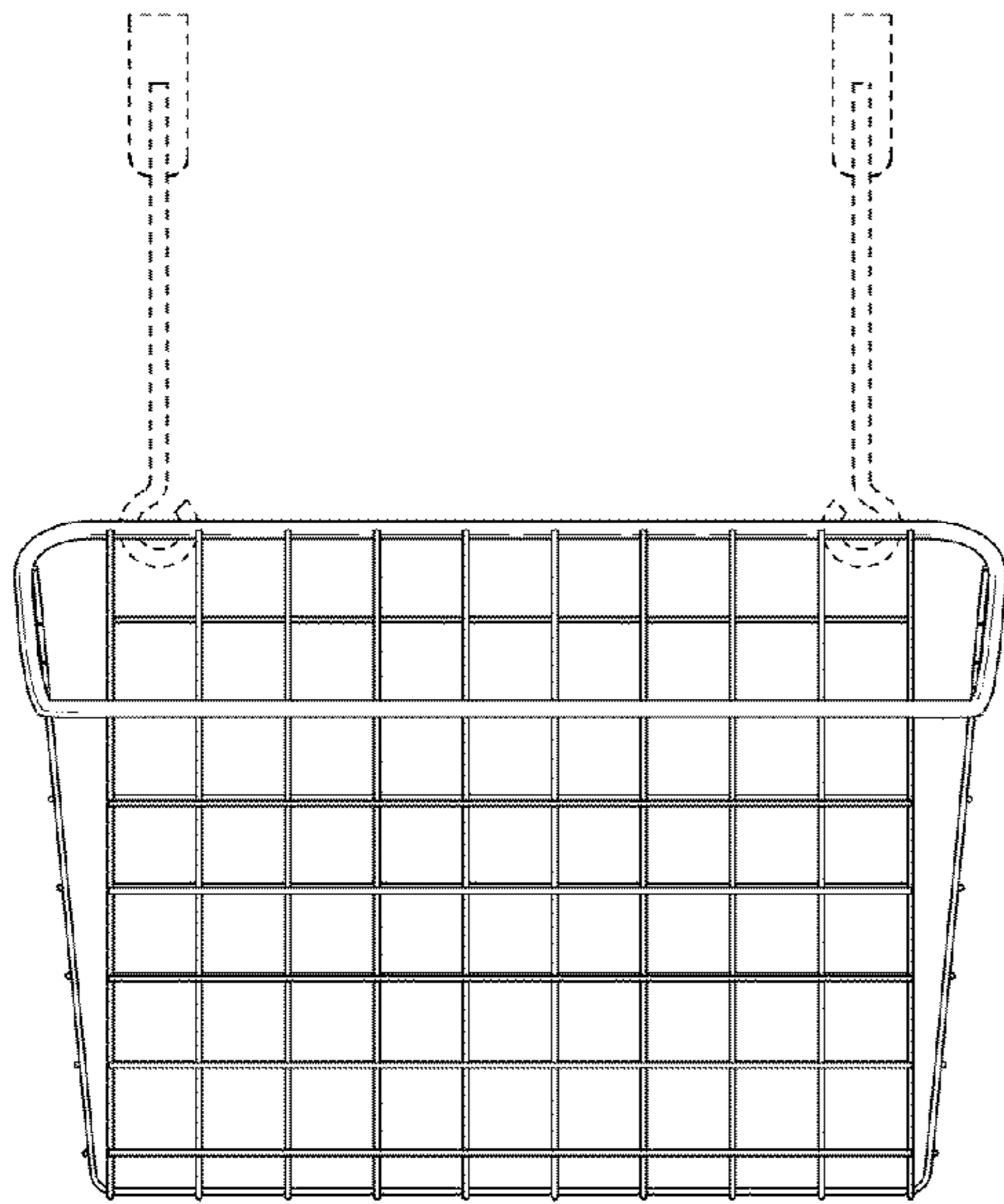


FIG 8

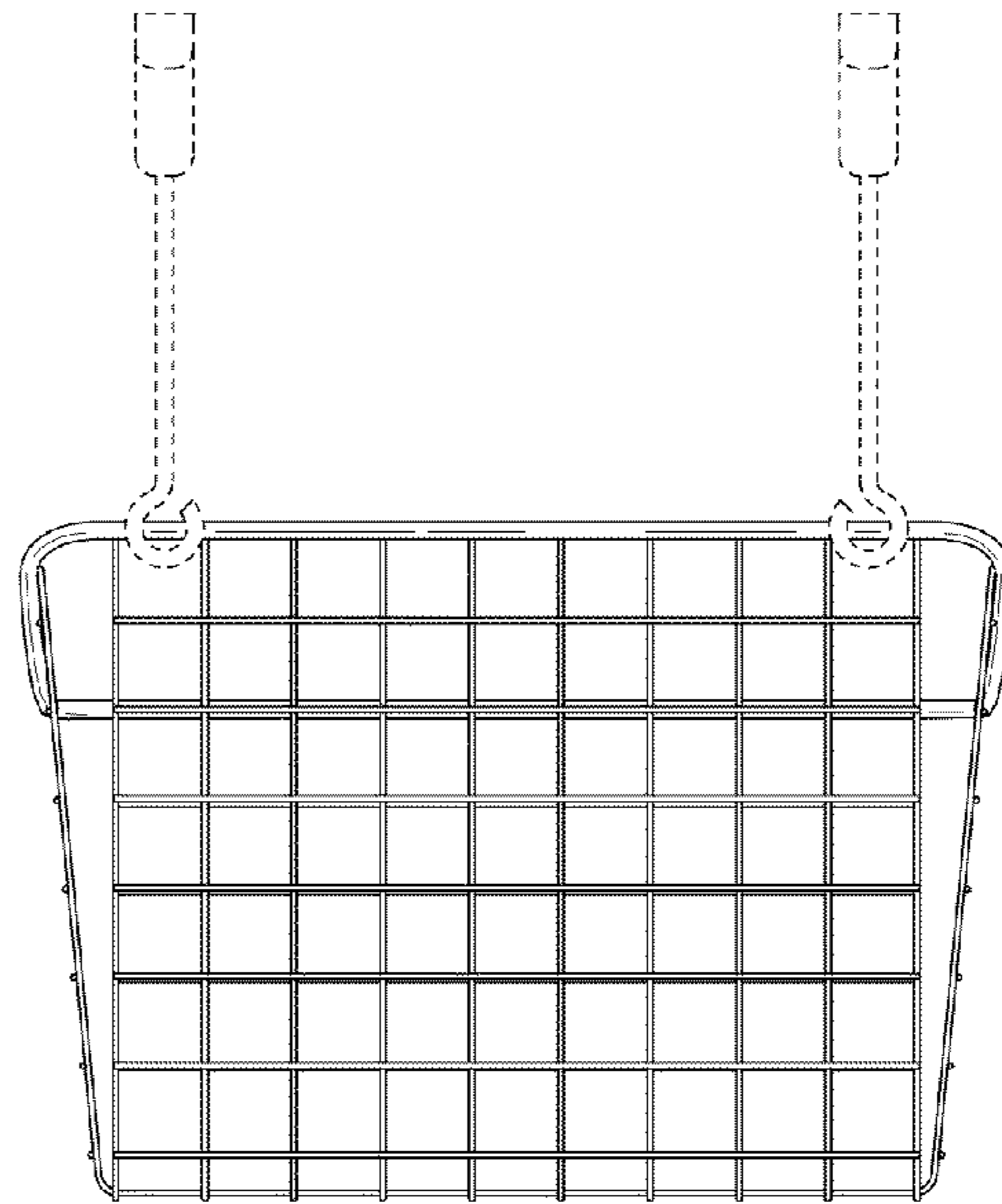


FIG 9

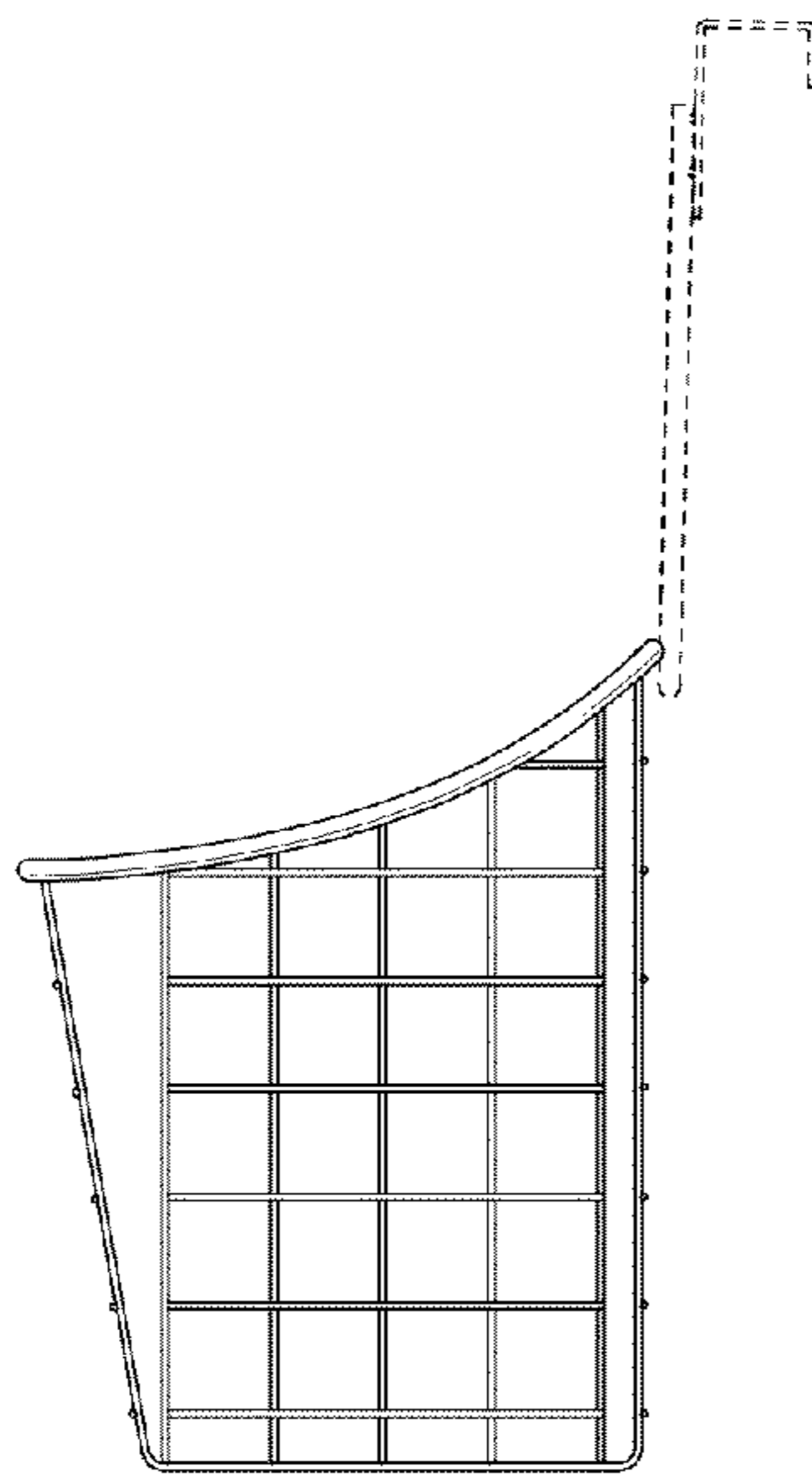


FIG 10

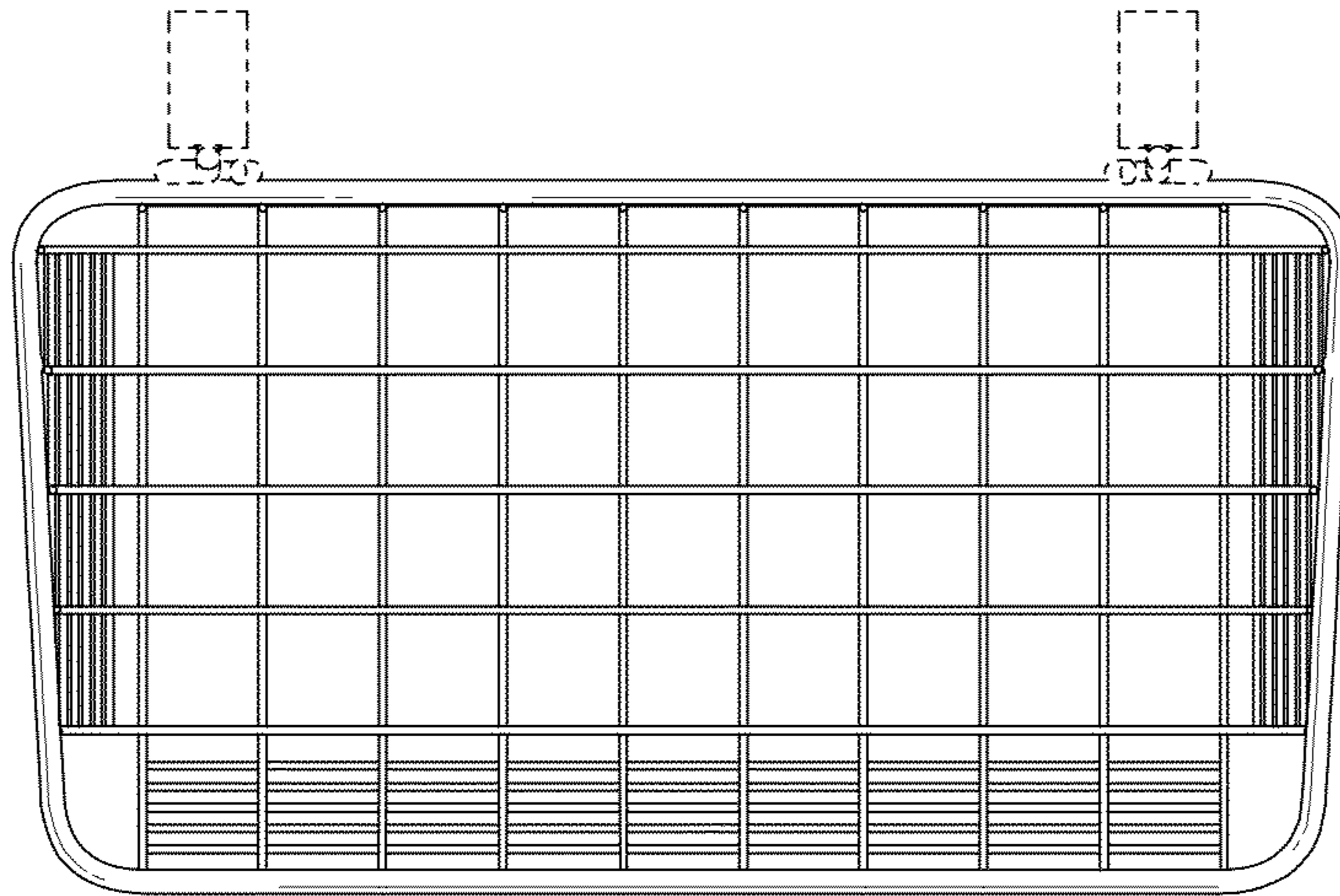


FIG 11

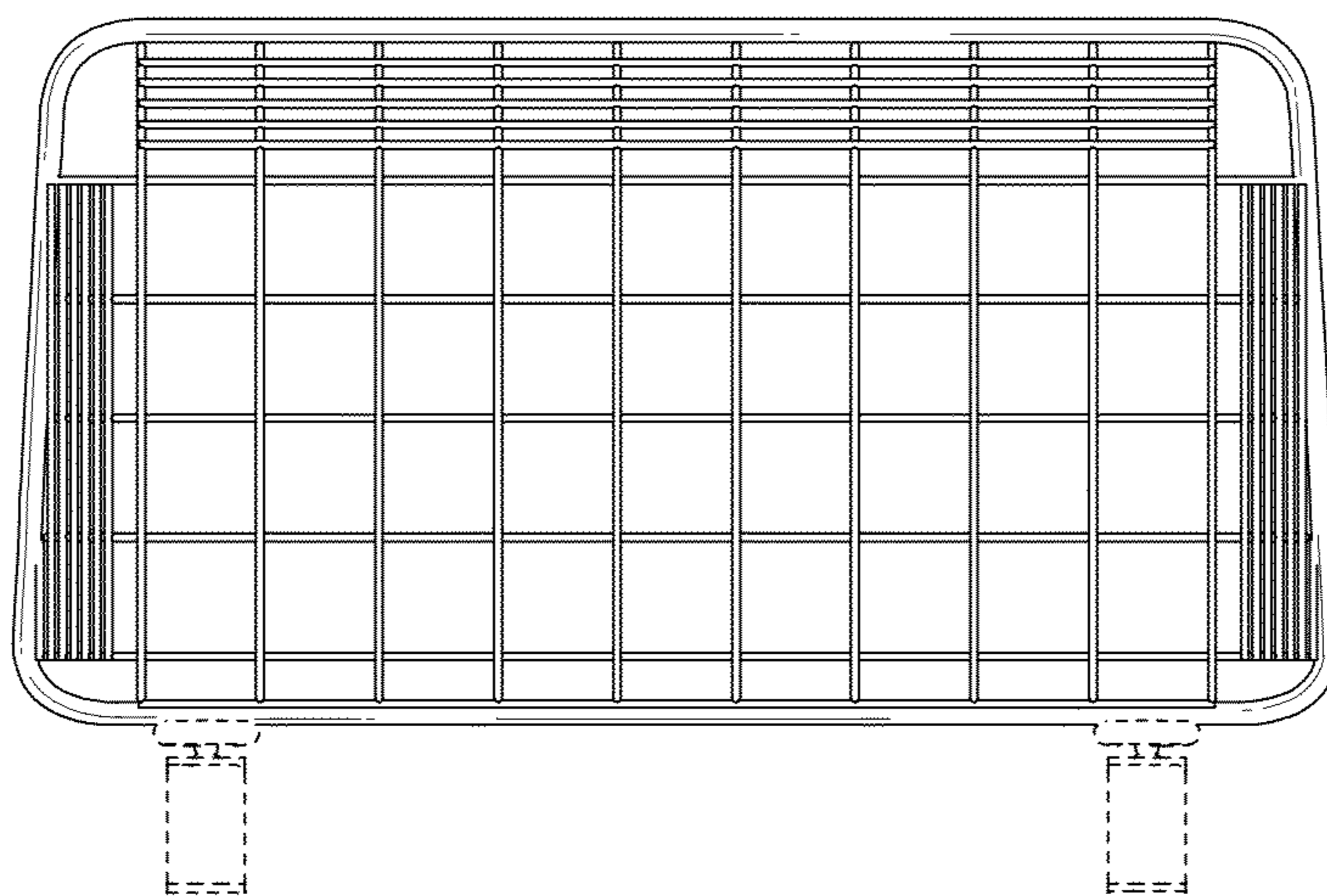


FIG 12

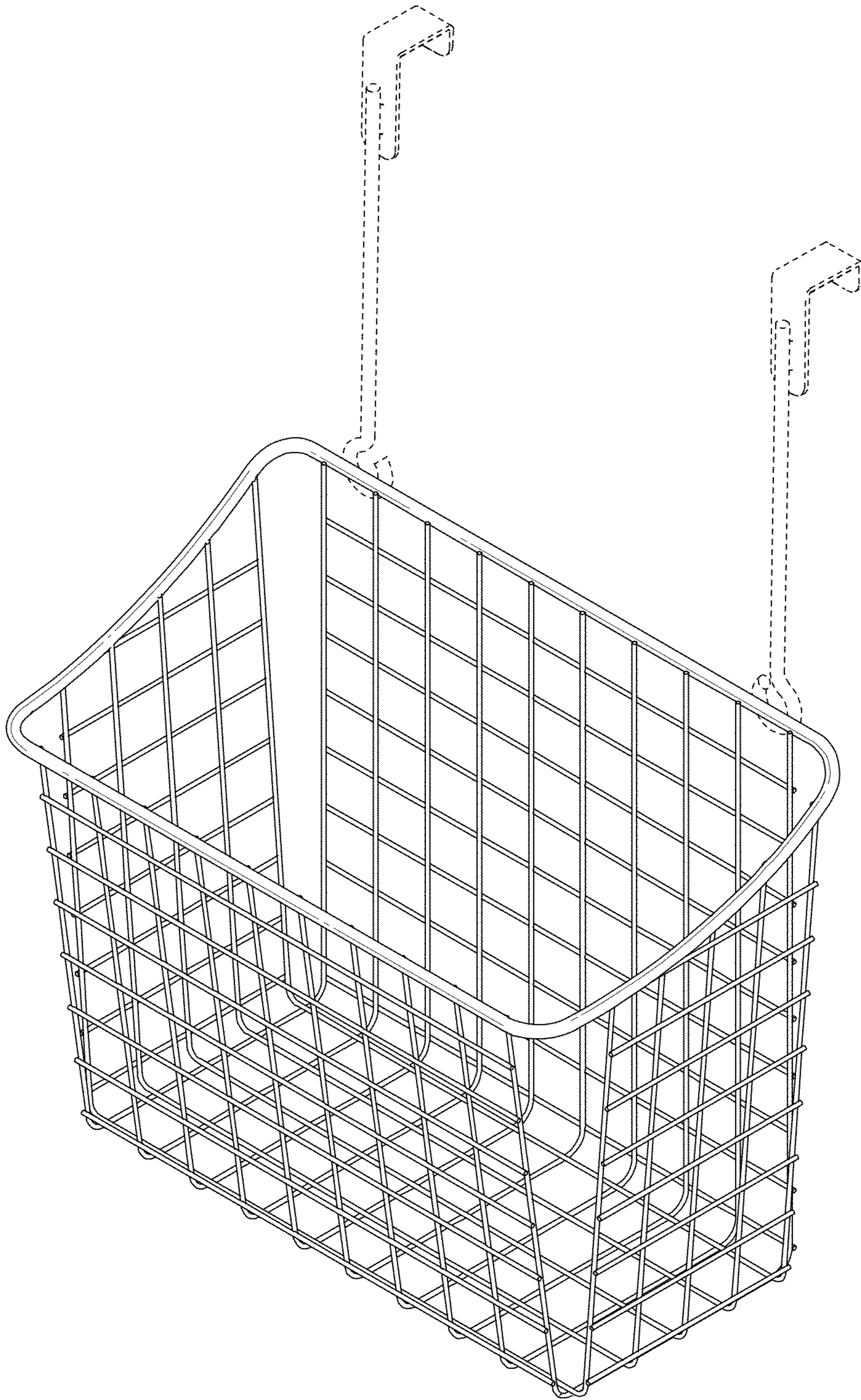


FIG 13

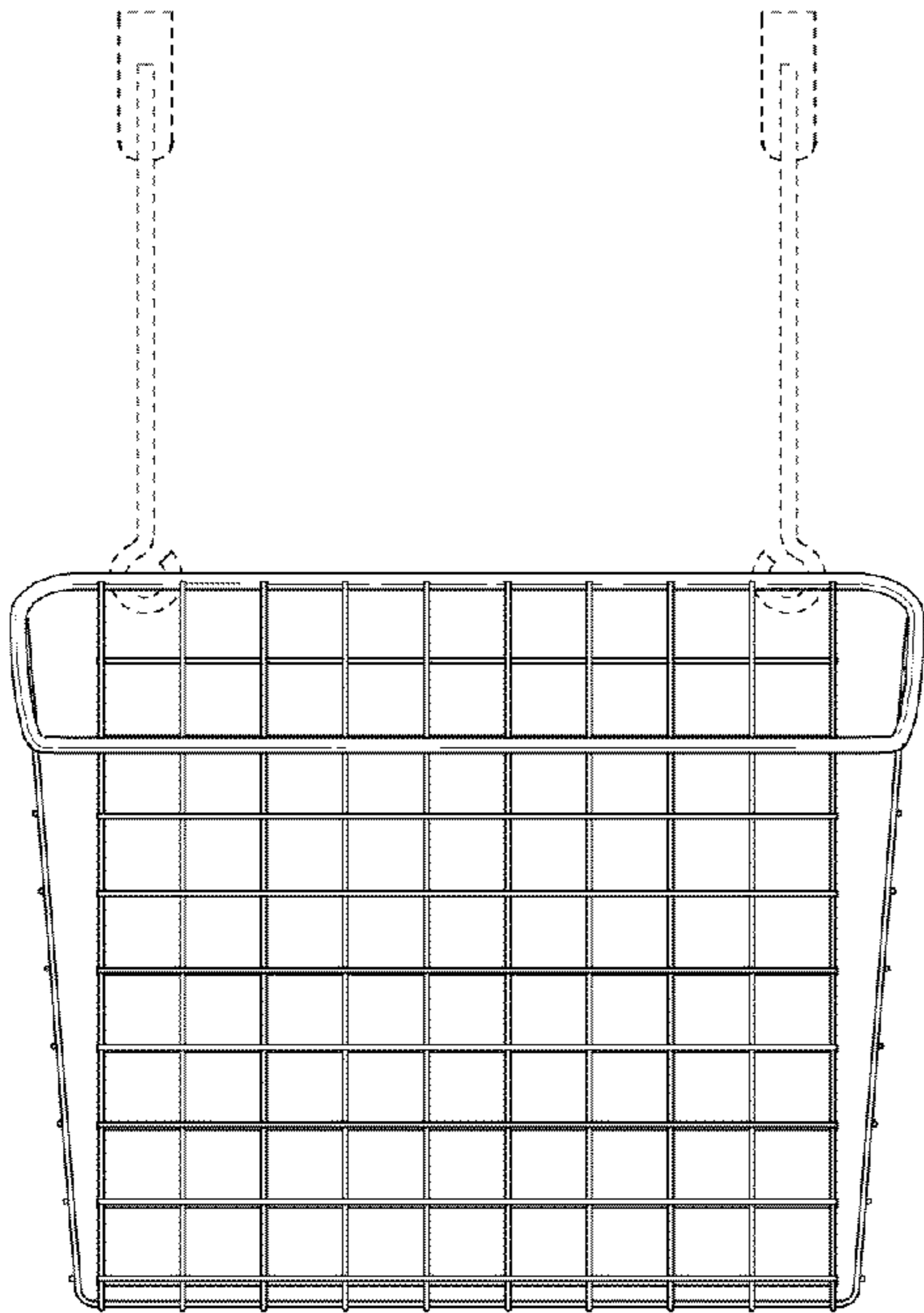


FIG 14

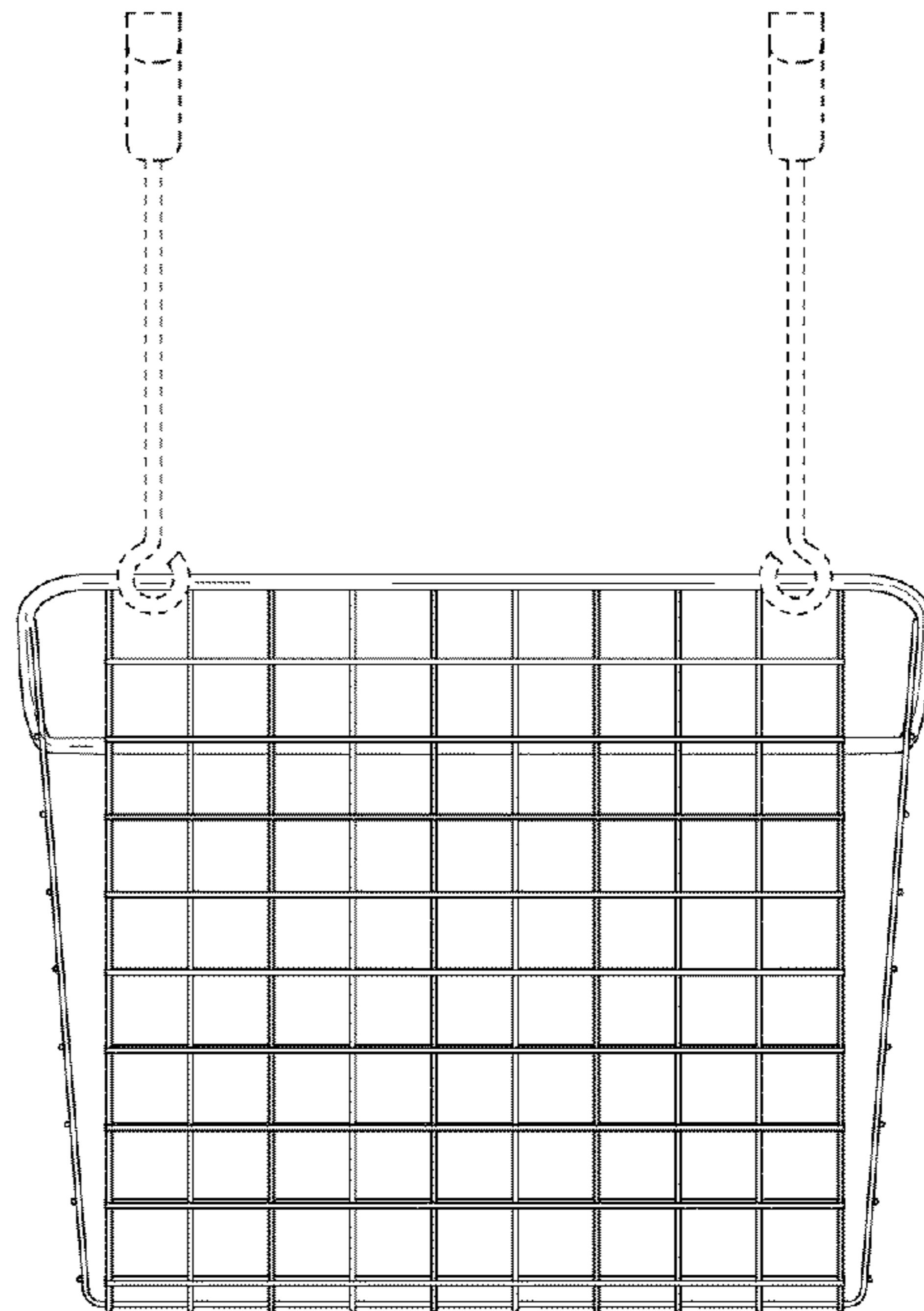


FIG 15

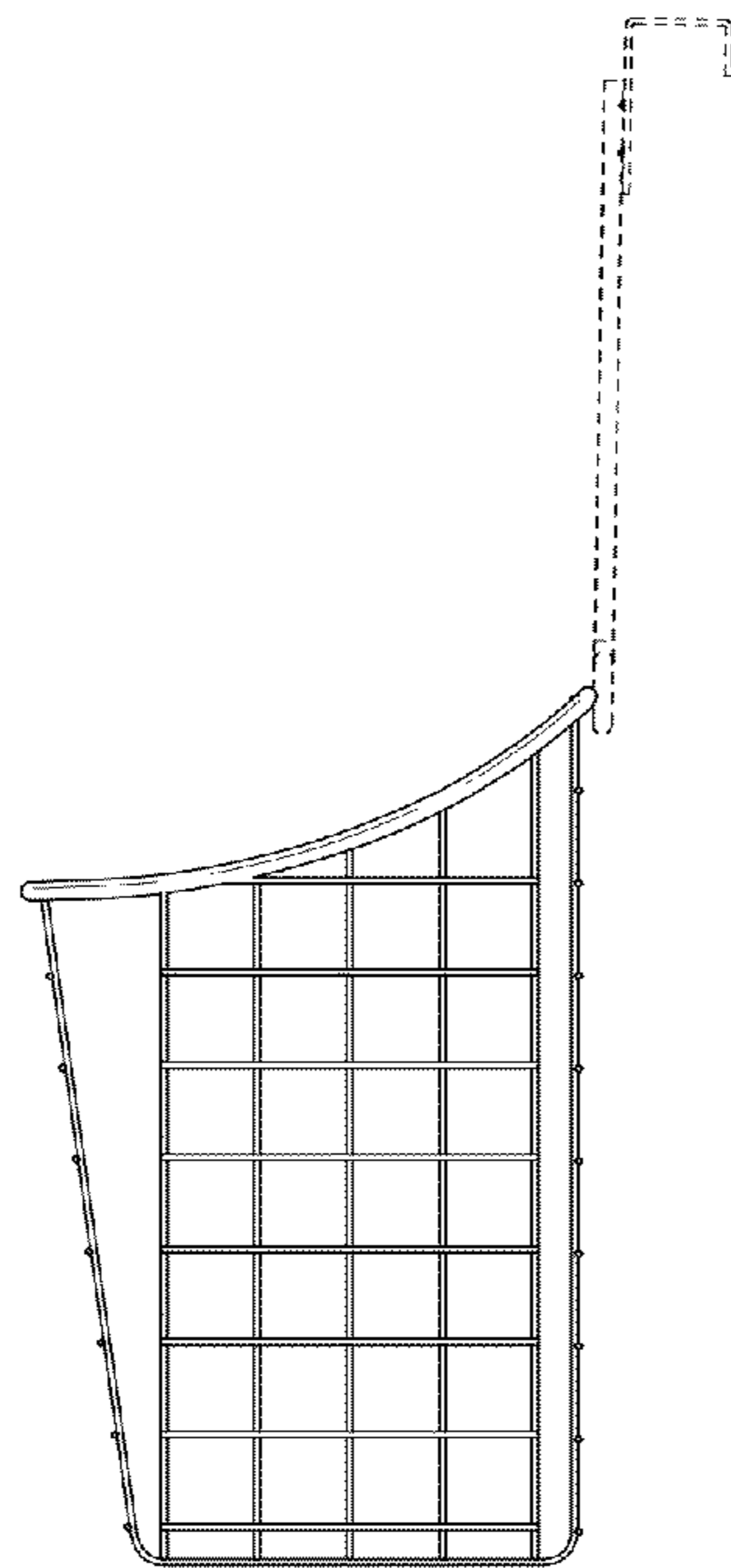


FIG 16

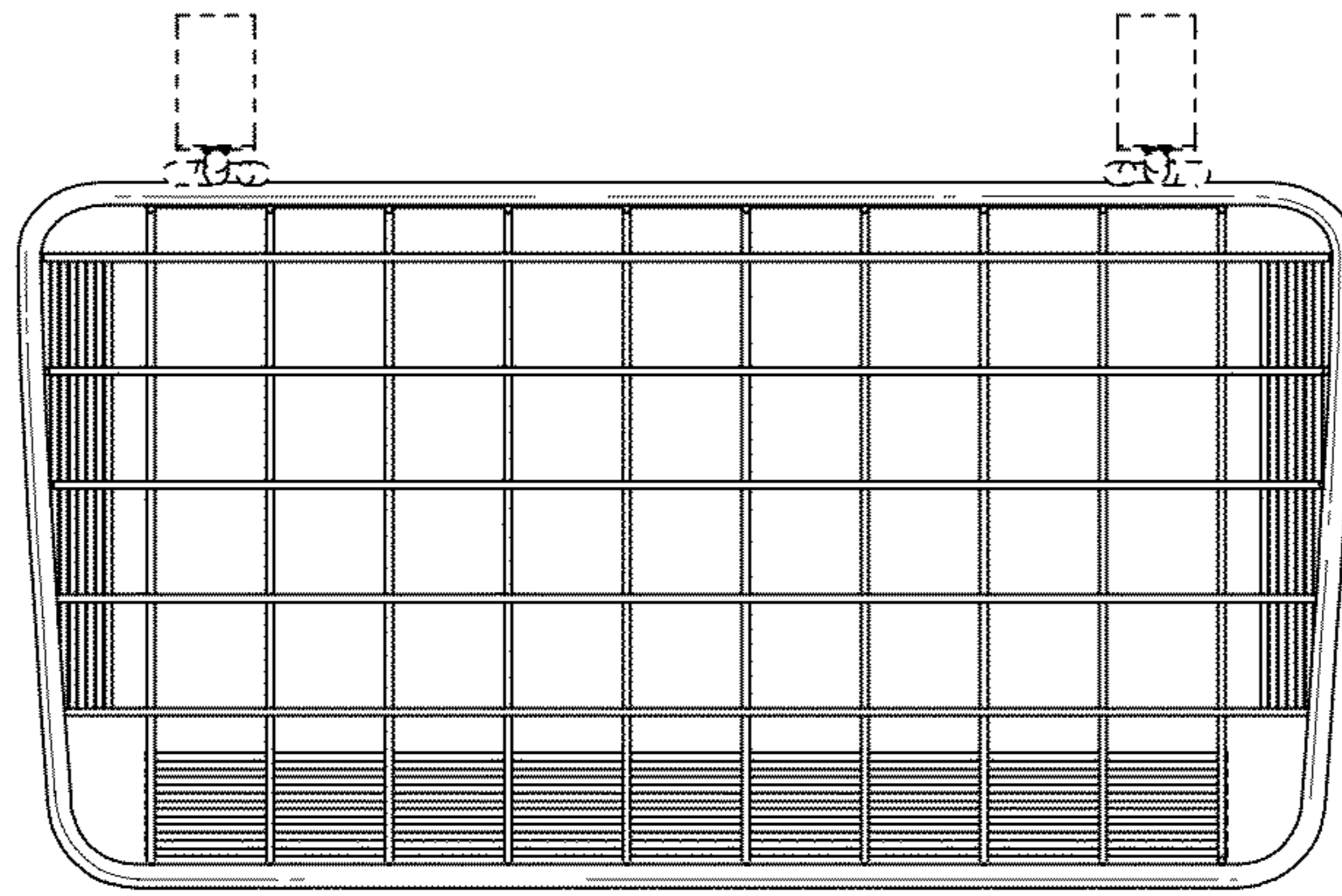


FIG 17

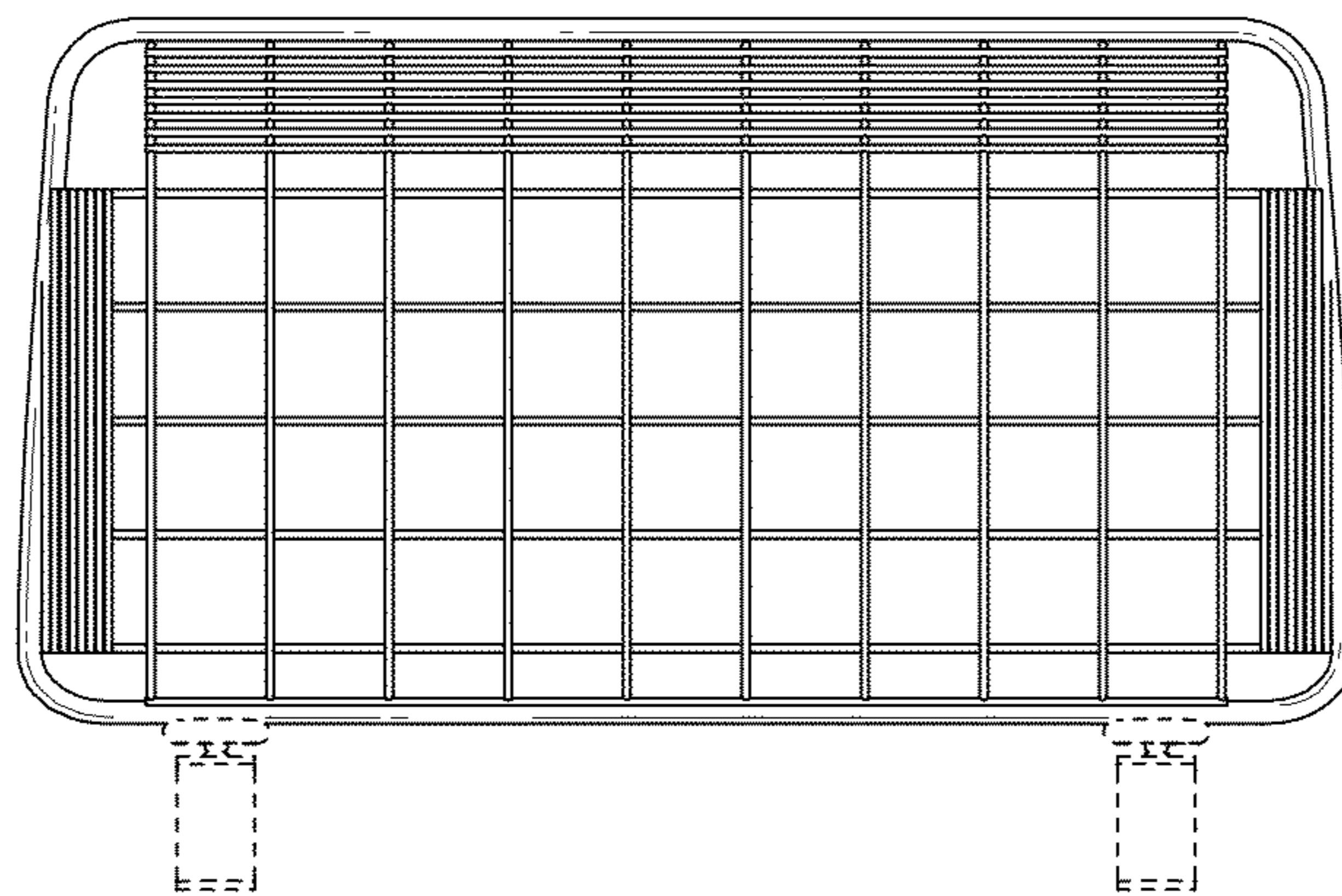


FIG 18

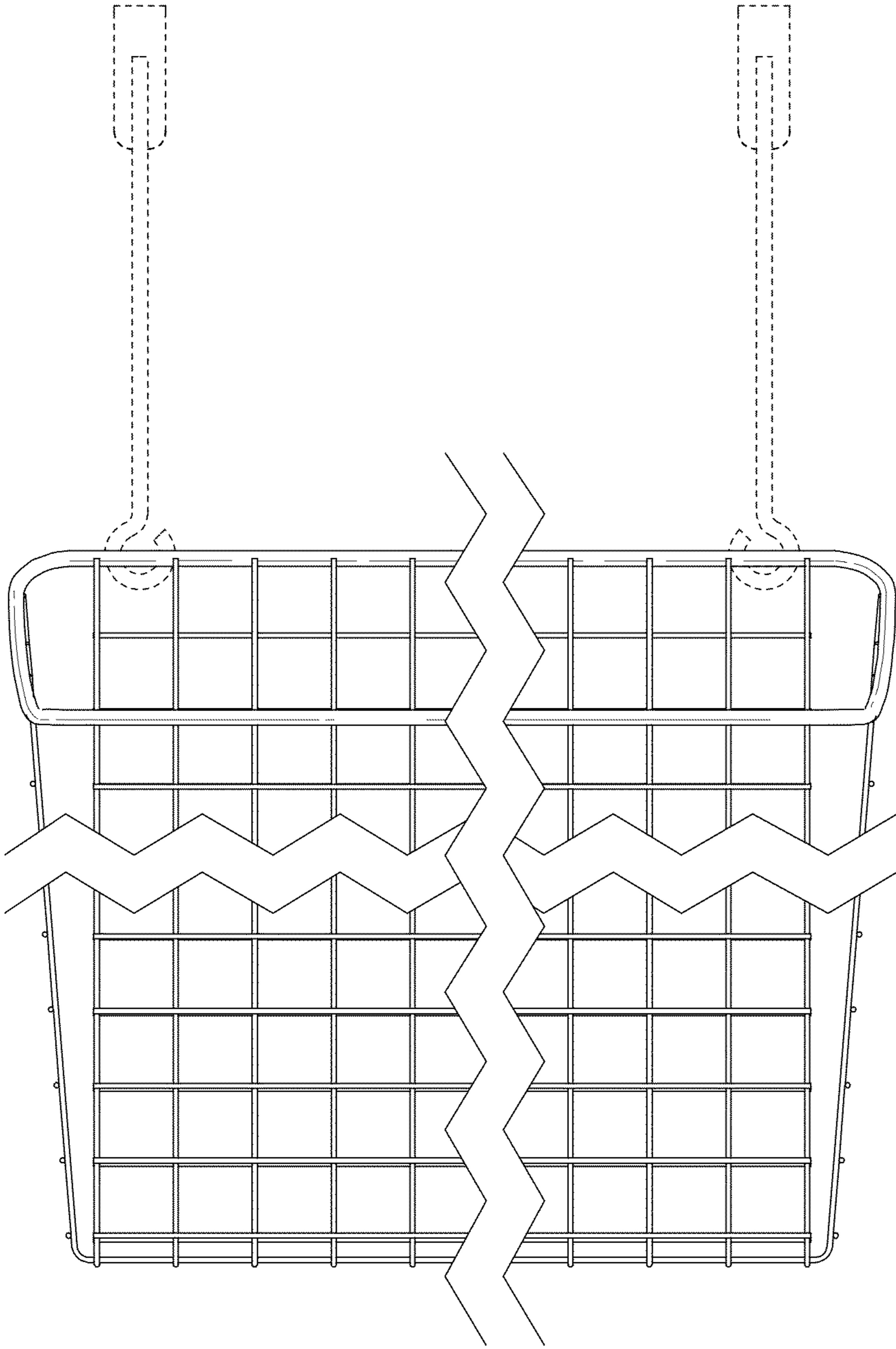


FIG 19