



US00D693575S

(12) **United States Design Patent**
Roose

(10) **Patent No.:** **US D693,575 S**

(45) **Date of Patent:** **** Nov. 19, 2013**

(54) **TREE STAND HARNESS**

(76) Inventor: **James Roose**, Erie, PA (US)

(**) Term: **14 Years**

(21) Appl. No.: **29/431,252**

(22) Filed: **Sep. 5, 2012**

(51) **LOC (9) Cl.** **03-01**

(52) **U.S. Cl.**
USPC **D3/262**

(58) **Field of Classification Search**
USPC D3/234, 255, 271.9, 320, 256, 262, 279,
D3/299, 301, 303, 318, 319, 273, 289, 292,
D3/294-296, 232, 244; D9/424, 420;
D27/189; 206/349; 220/833; 312/902;
190/100

See application file for complete search history.

(56) **References Cited**

U.S. PATENT DOCUMENTS

4,790,460	A *	12/1988	Harper, Jr.	224/644
5,016,794	A *	5/1991	Beagle, Jr.	224/629
5,746,361	A *	5/1998	Johnson	224/258
6,164,505	A *	12/2000	Holter et al.	224/259
D455,009	S *	4/2002	Thayer	D3/327
D474,888	S *	5/2003	Gillenwater	D3/261
7,703,645	B2 *	4/2010	Moskun	224/581

* cited by examiner

Primary Examiner — Sandra Snapp

(74) *Attorney, Agent, or Firm* — Jonathan M. D'Silva;
MacDonald, Illig, Jones & Britton LLP

(57) **CLAIM**

The ornamental design for a tree stand harness, as shown and described.

DESCRIPTION

FIG. 1 is a perspective view of the tree stand harness mounted to a folded tree stand;

FIG. 2 is a perspective view of the tree stand harness shown in FIG. 1;

FIG. 3 is a front end view of the tree stand harness shown in FIG. 1;

FIG. 4 is a rear end view of the tree stand harness shown in FIG. 1;

FIG. 5 is a right hand facing side view of the tree stand harness shown in FIG. 1;

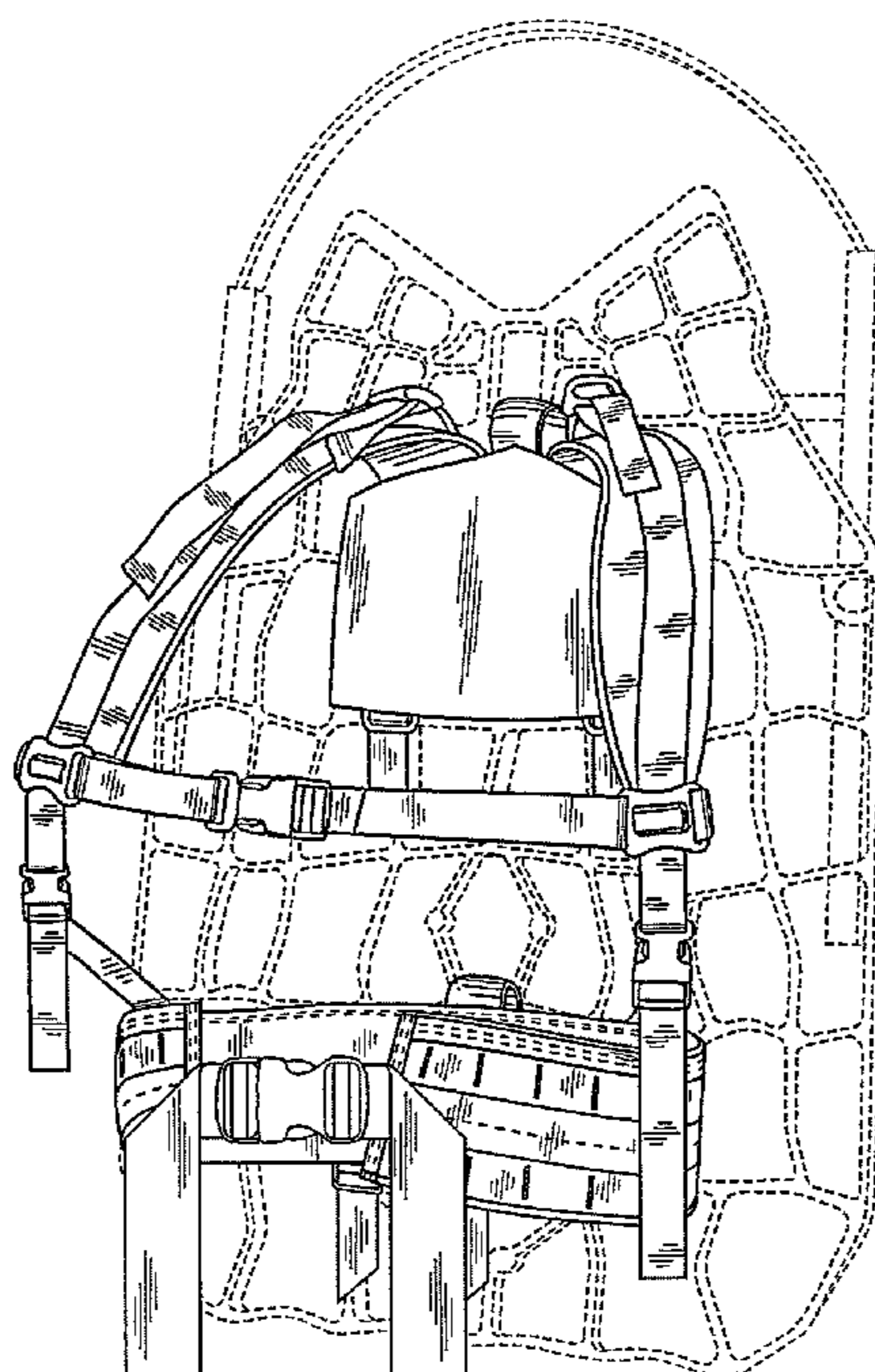
FIG. 6 is a left hand facing side view of the tree stand harness shown in FIG. 1;

FIG. 7 is a top view of the tree stand harness shown in FIG. 1; and,

FIG. 8 is a bottom view of the tree stand harness shown in FIG. 1.

The tree stand which the tree stand harness is mounted to in FIG. 1 is illustrated with broken lines and is included for the purpose of illustrating the environment of the design only and forms no part of the claimed design. The remaining broken lines shown in the drawings are understood to represent stitching.

1 Claim, 4 Drawing Sheets



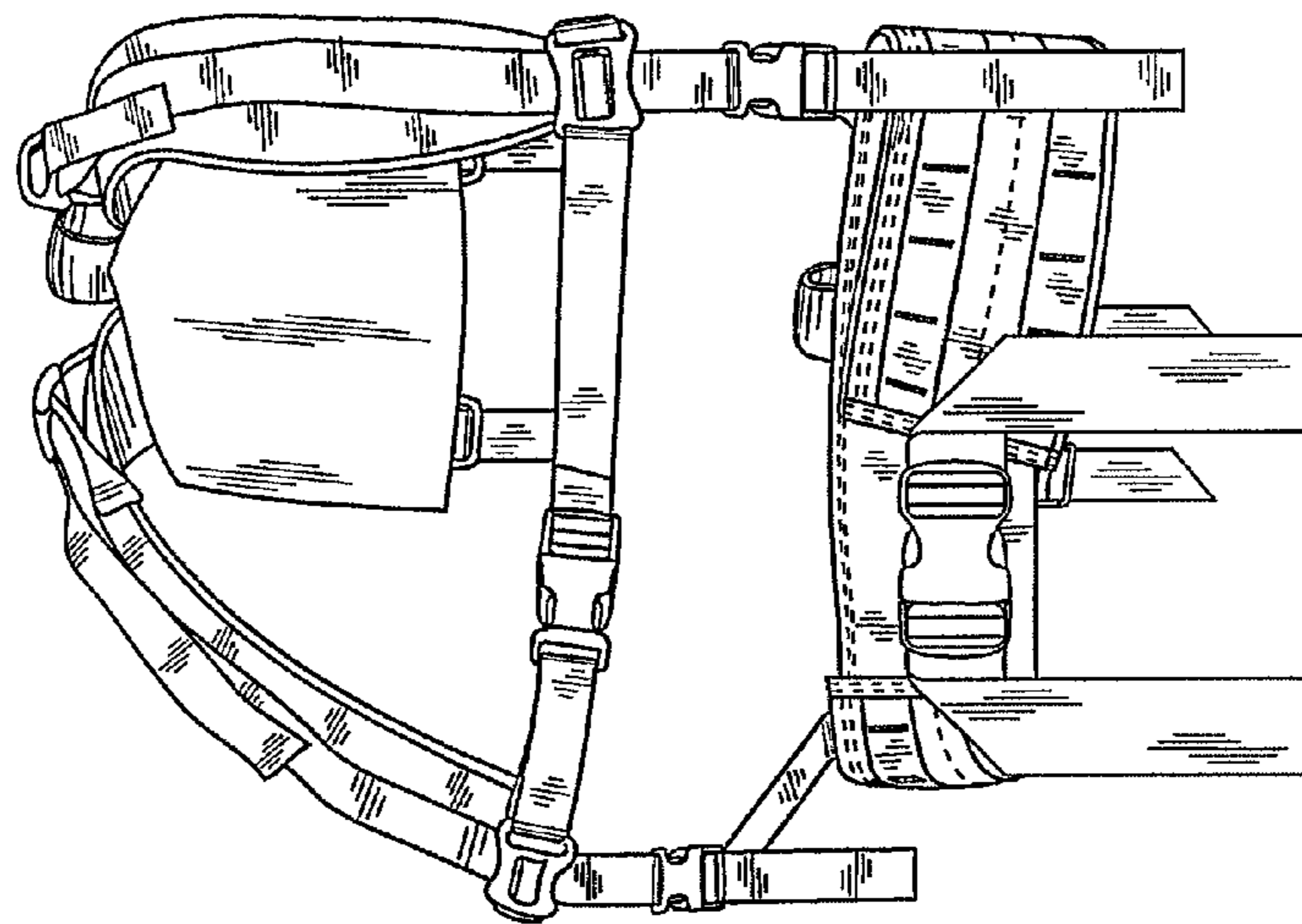


Fig. 2

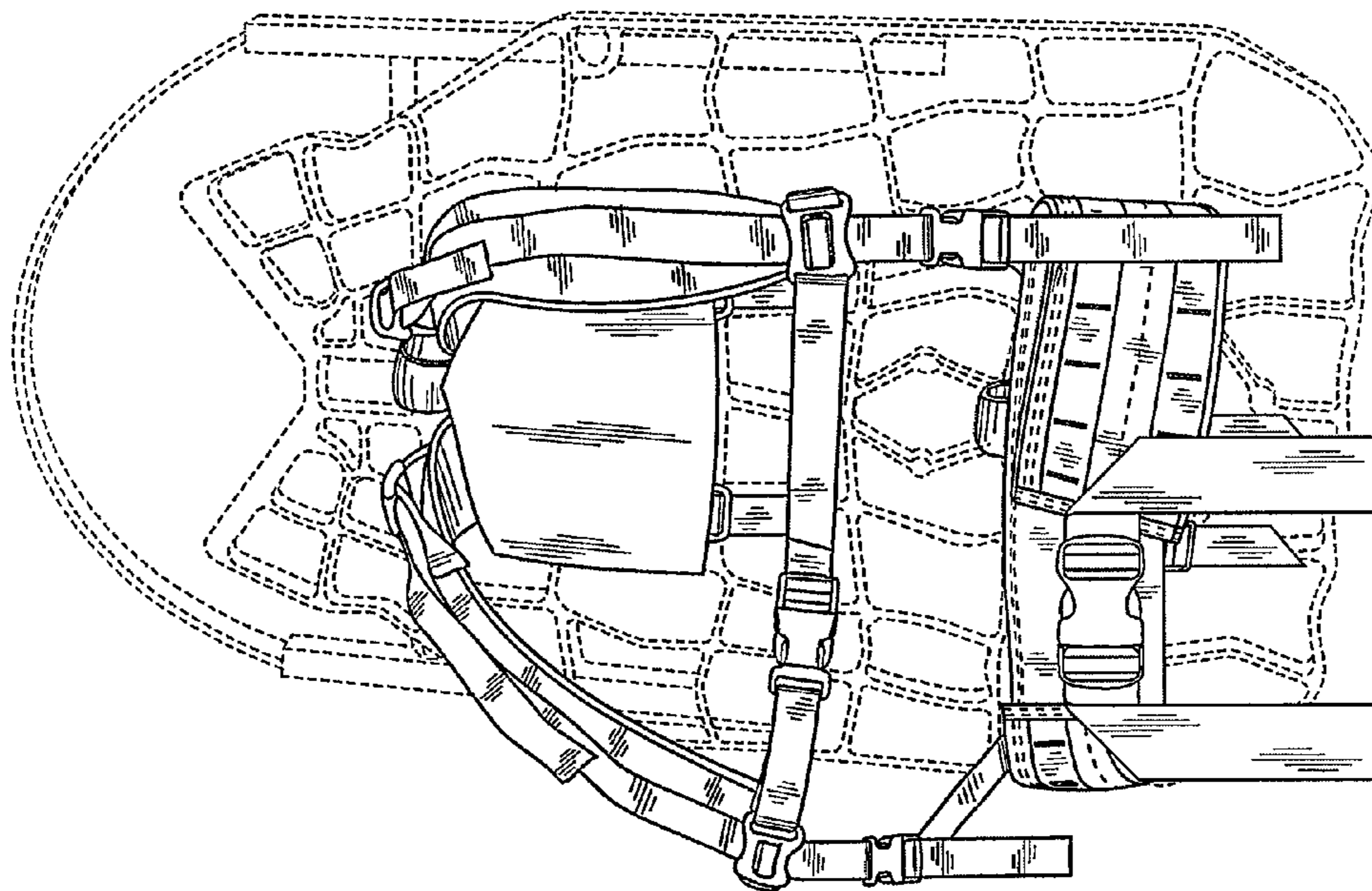


Fig. 1

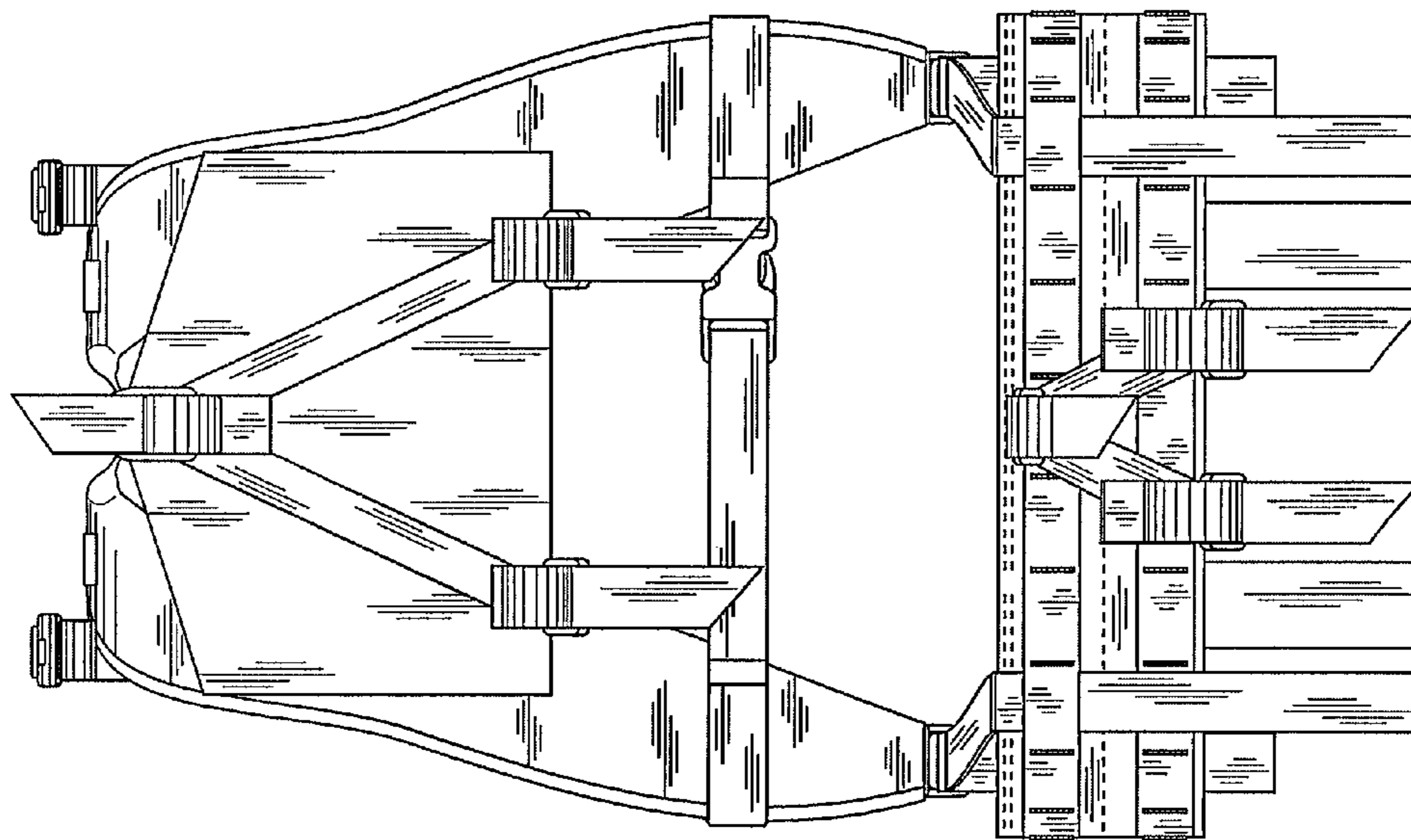


Fig. 4

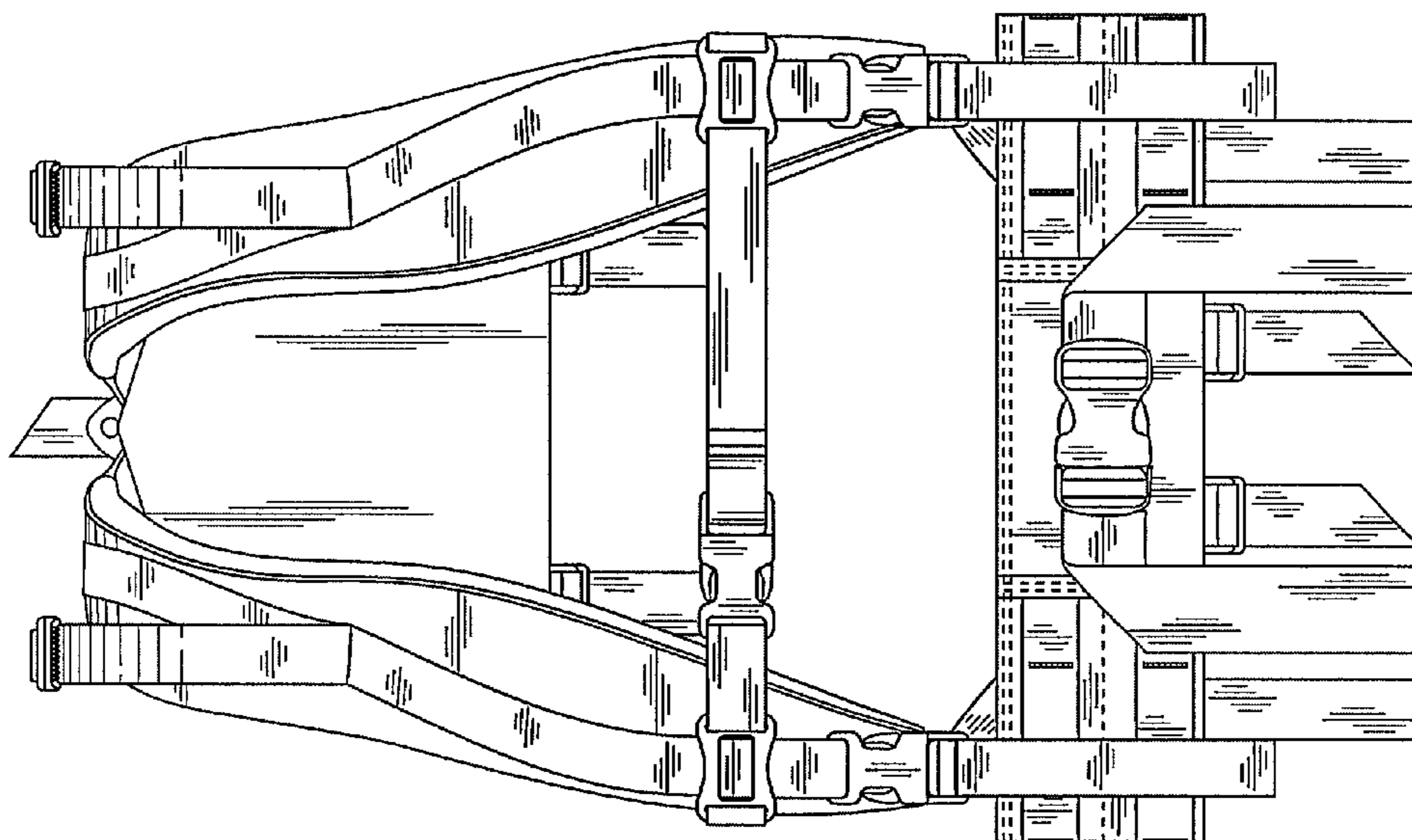


Fig. 3

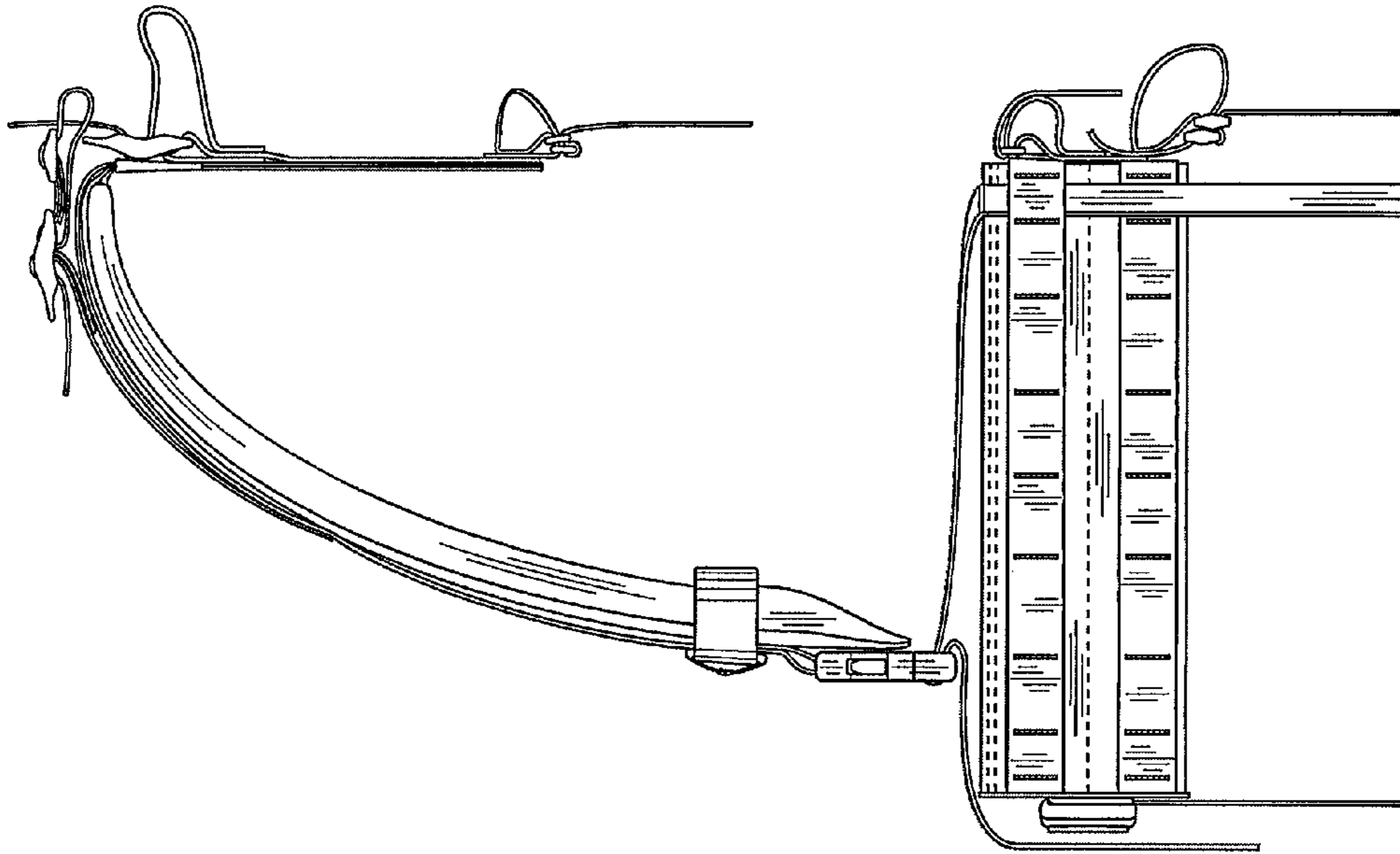


Fig. 6

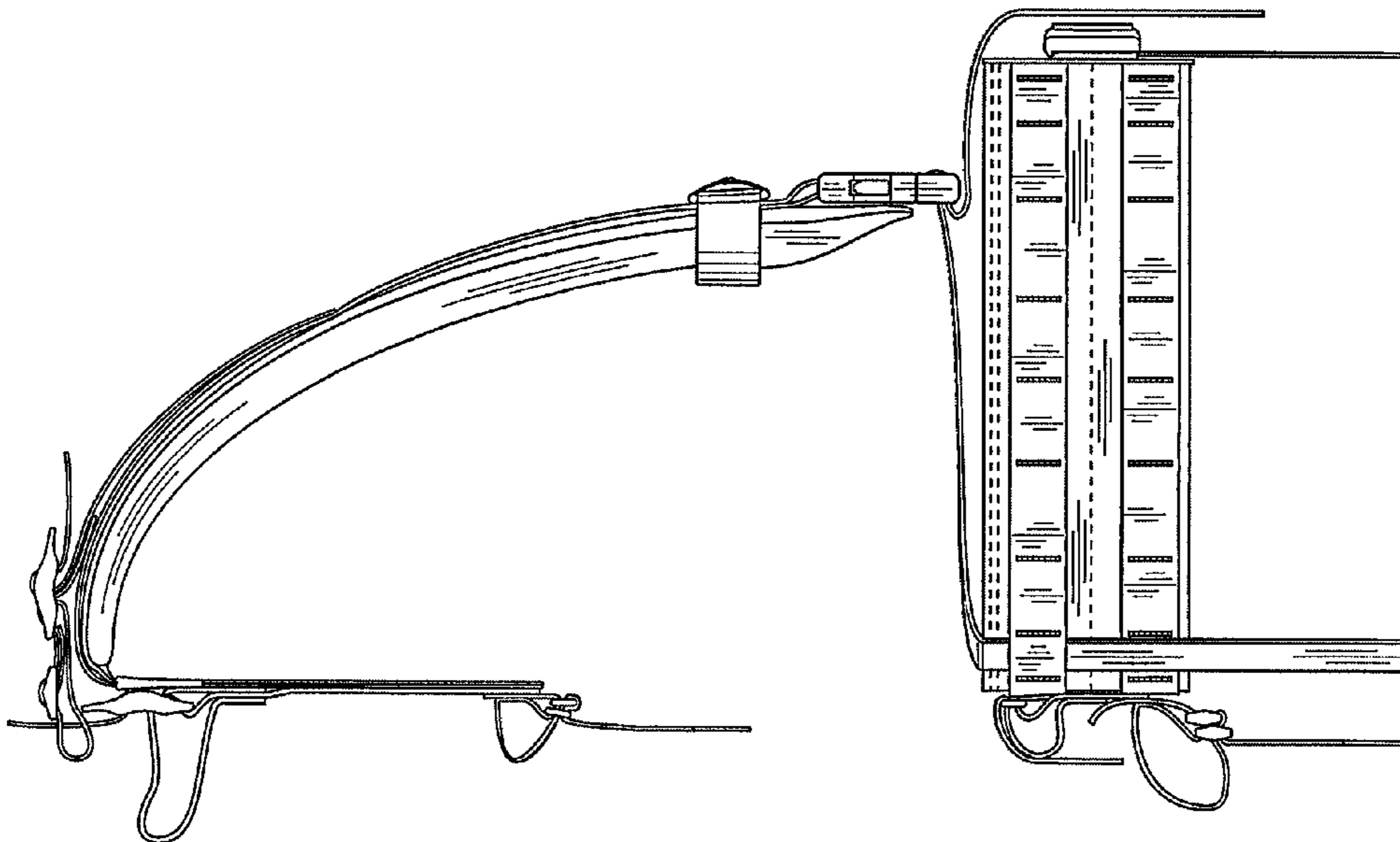


Fig. 5

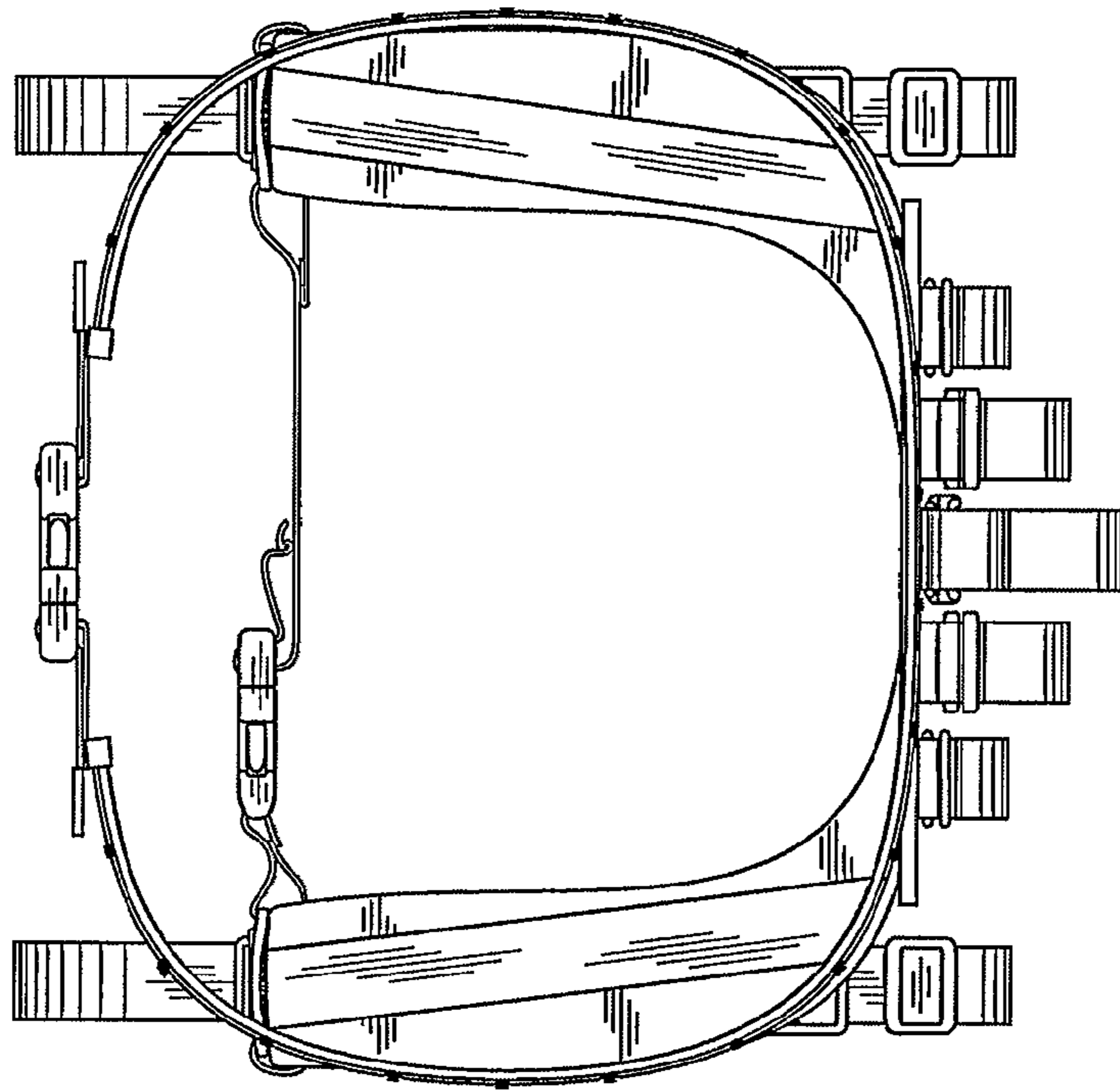


Fig. 8

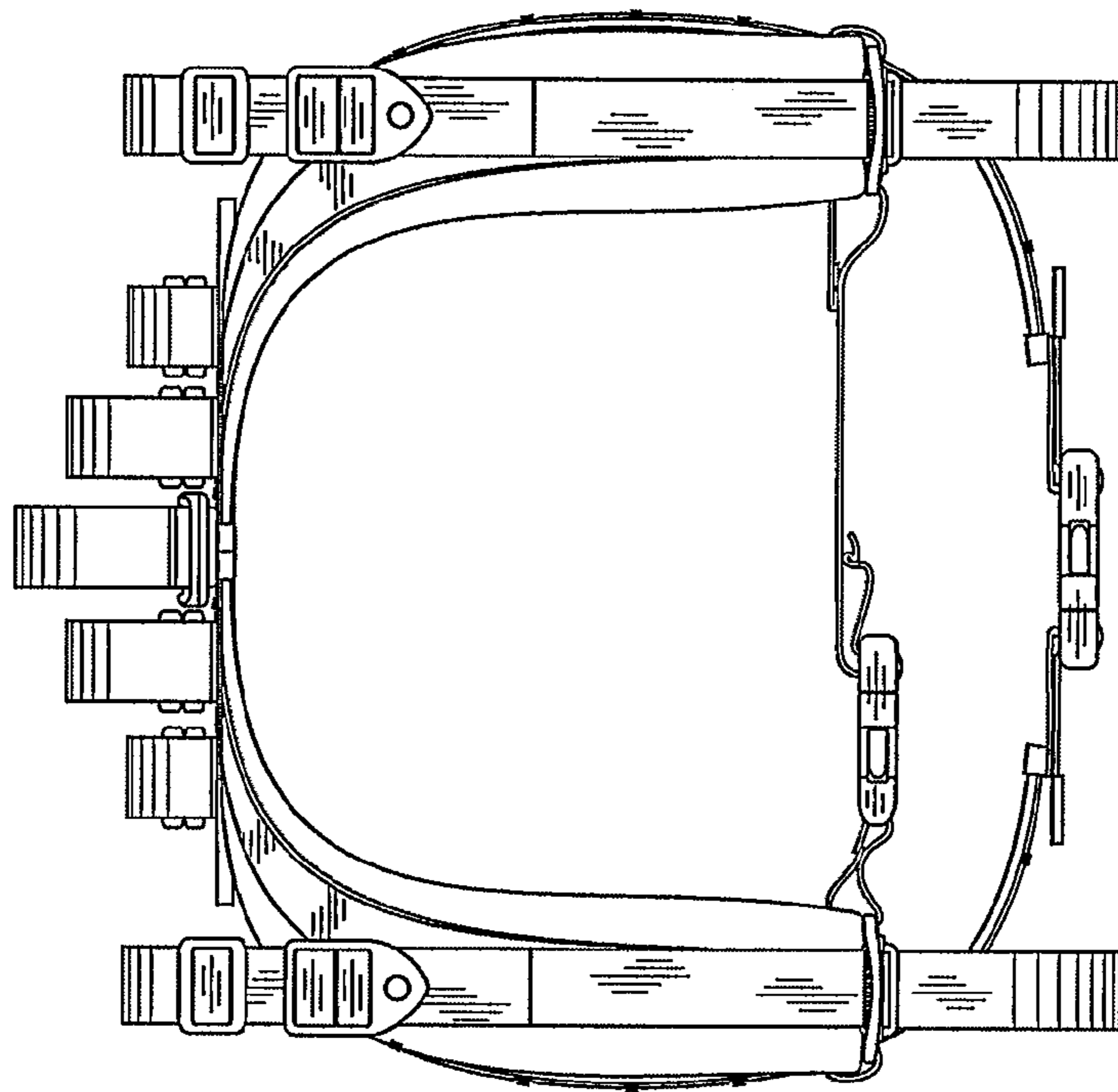


Fig. 7