



US00D693574S

(12) **United States Design Patent**
Tsai

(10) **Patent No.:** **US D693,574 S**
(45) **Date of Patent:** **** Nov. 19, 2013**

(54) **RETRACTABLE CARD HOLDER WITH
RETRACTABLE CORD**

(76) Inventor: **Hai Pin Tsai**, Kowloon (HK)

(**) Term: **14 Years**

(21) Appl. No.: **29/419,002**

(22) Filed: **Apr. 24, 2012**

(30) **Foreign Application Priority Data**

Nov. 14, 2011 (CN) 2011 3 0418176
Dec. 28, 2011 (CN) 2011 3 0502272

(51) **LOC (9) Cl.** **03-01**

(52) **U.S. Cl.**
USPC **D3/249**

(58) **Field of Classification Search**
USPC D3/247, 249-253; 150/130, 132,
150/136-138, 147
See application file for complete search history.

(56) **References Cited**

U.S. PATENT DOCUMENTS

D158,860 S * 6/1950 Jardine D3/227
D168,398 S * 12/1952 Gazan, Jr. D3/247
D189,333 S * 11/1960 Hayden D3/247

* cited by examiner

Primary Examiner — Holly Baynham

(74) *Attorney, Agent, or Firm* — Garcia-Zamor IP Law; Ruy M. Garcia-Zamor

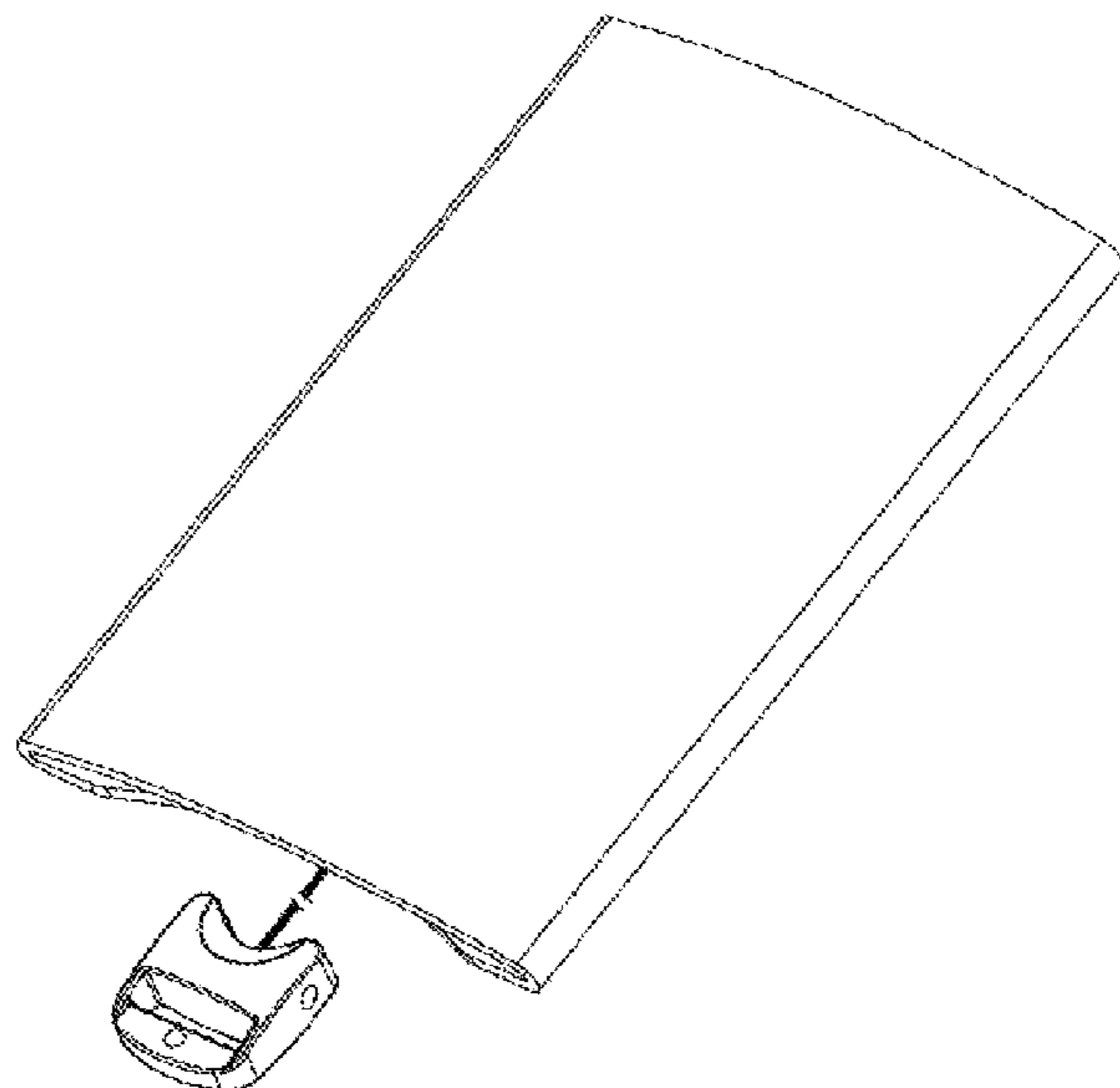
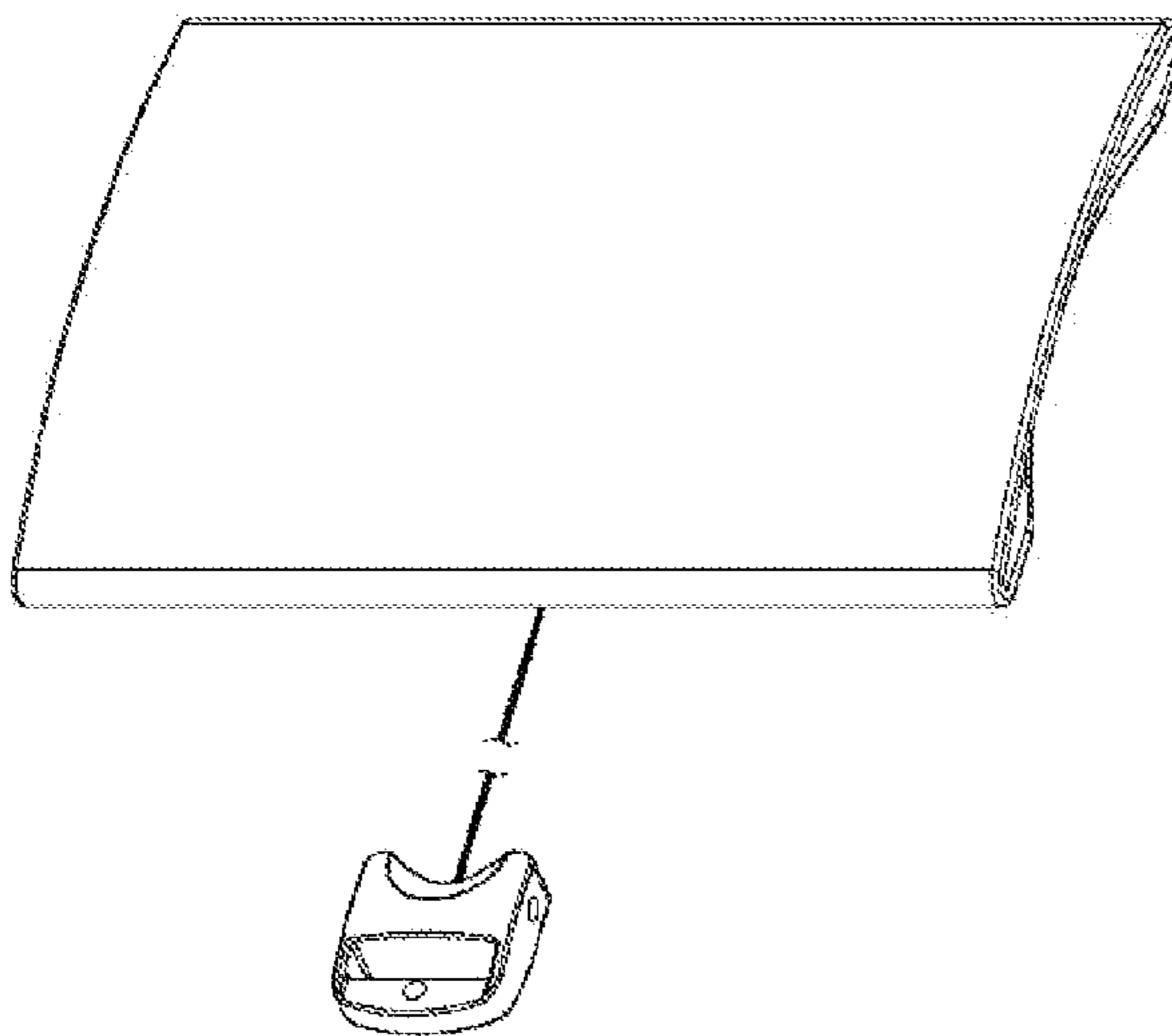
(57) **CLAIM**

We claim a new ornamental design for a retractable card holder with retractable cord, as shown and described.

DESCRIPTION

FIG. 1 is a front elevational view of a retractable card holder with retractable cord according to a first preferred embodiment of my new design;
FIG. 2 is a rear elevational view of the retractable card holder with retractable cord of FIG. 1;
FIG. 3 is a left side elevational view of the retractable card holder with retractable cord of FIG. 1;
FIG. 4 is a right side elevational view of the retractable card holder with retractable cord of FIG. 1;
FIG. 5 is a bottom plan view of the retractable card holder with retractable cord of FIG. 1;
FIG. 6 is a top plan view of the retractable card holder with retractable cord of FIG. 1;
FIG. 7 is a perspective view of the retractable card holder with retractable cord of FIG. 1;
FIG. 8 is a second perspective view of the retractable card holder with retractable cord of FIG. 1 in an alternate configuration;
FIG. 9 is a front view of the second embodiment of the tote bag shown in FIG. 1,
FIG. 10 is a rear elevational view thereof;
FIG. 11 is a left side elevational view thereof;
FIG. 12 is a right-side elevational view thereof;
FIG. 13 is a bottom plan view thereof;
FIG. 14 is a top plan view thereof;
FIG. 15 is a perspective view thereof; and,
FIG. 16 is a second perspective view thereof.

1 Claim, 16 Drawing Sheets



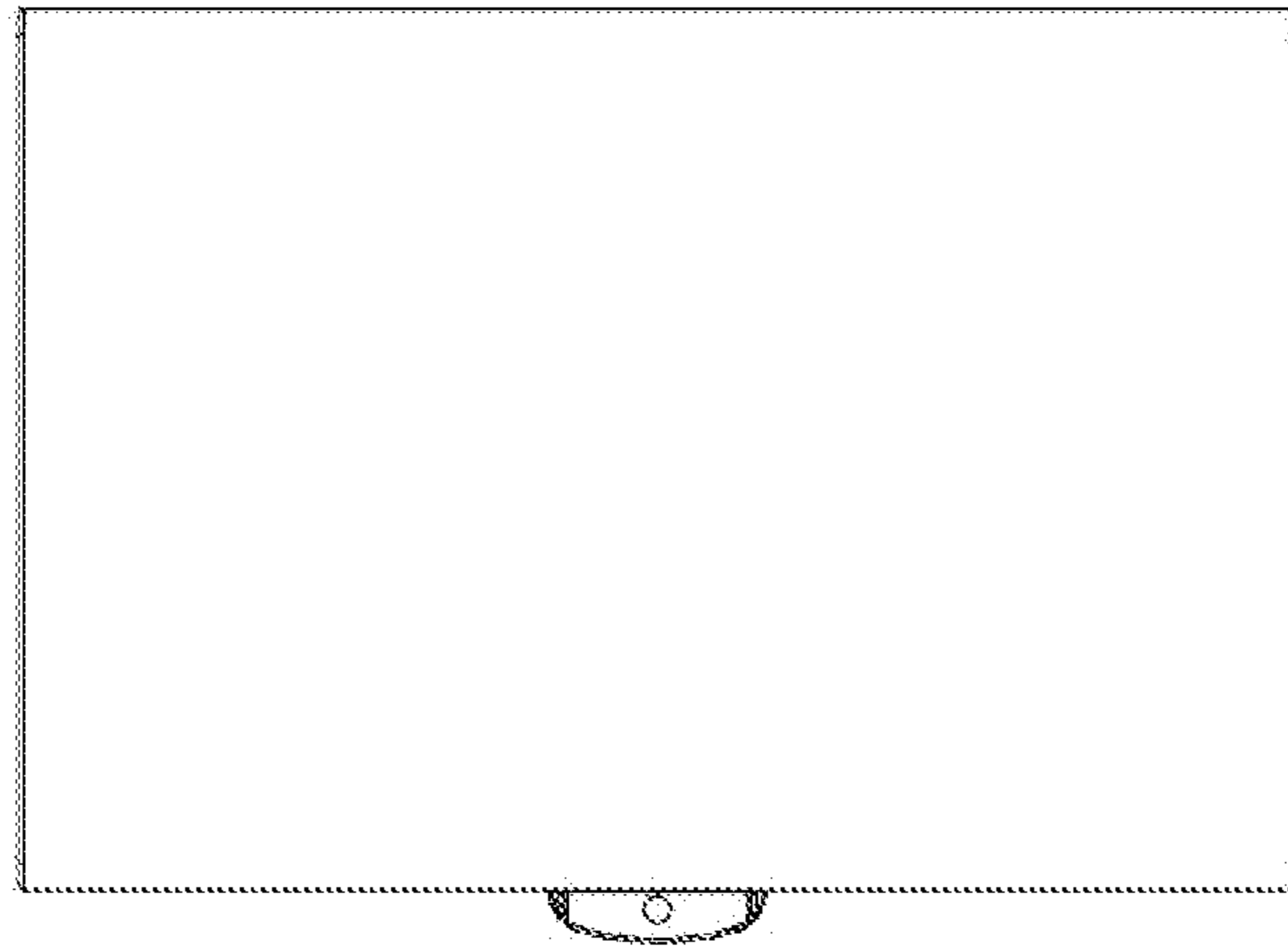


Fig.1

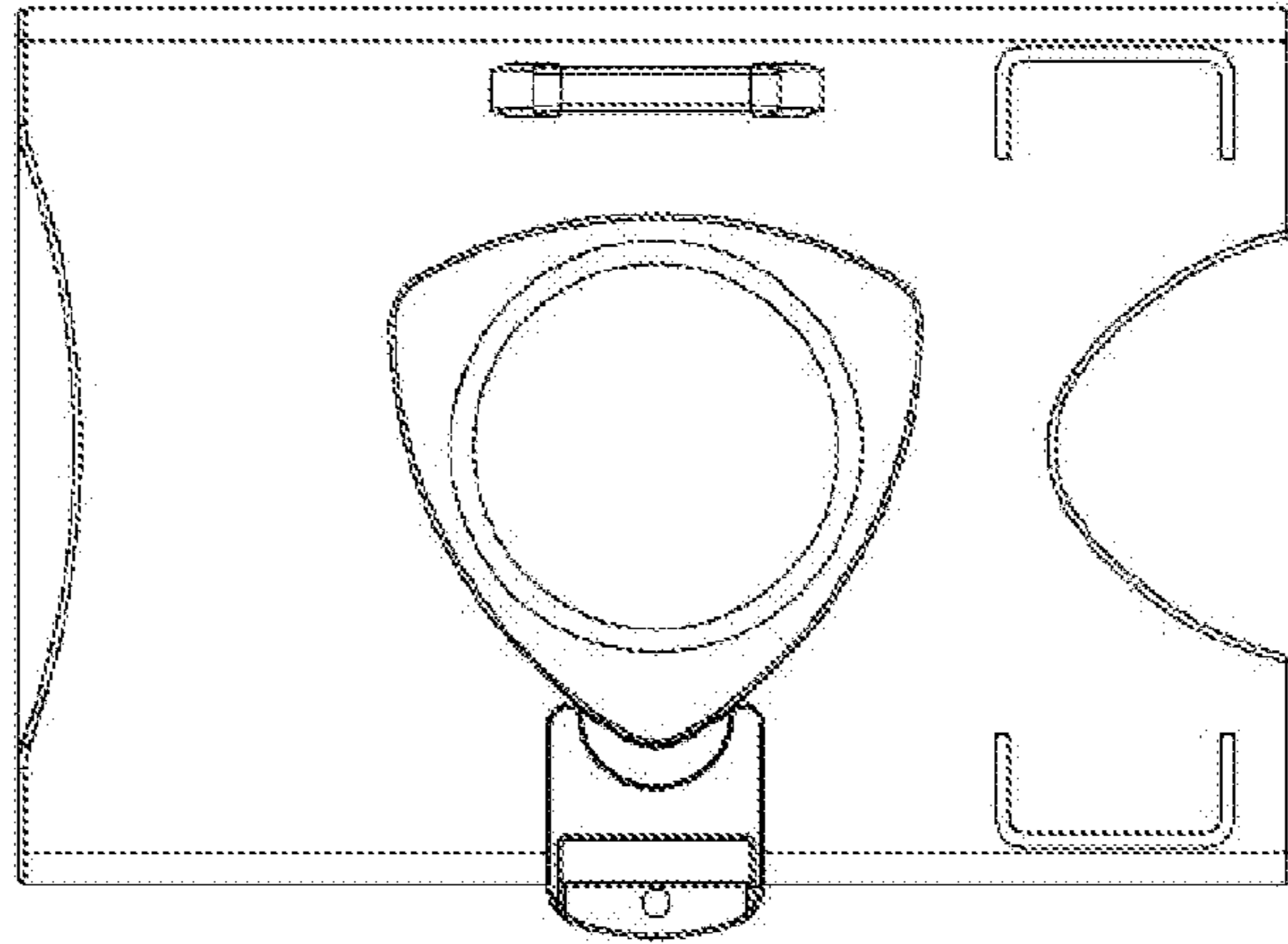


Fig.2

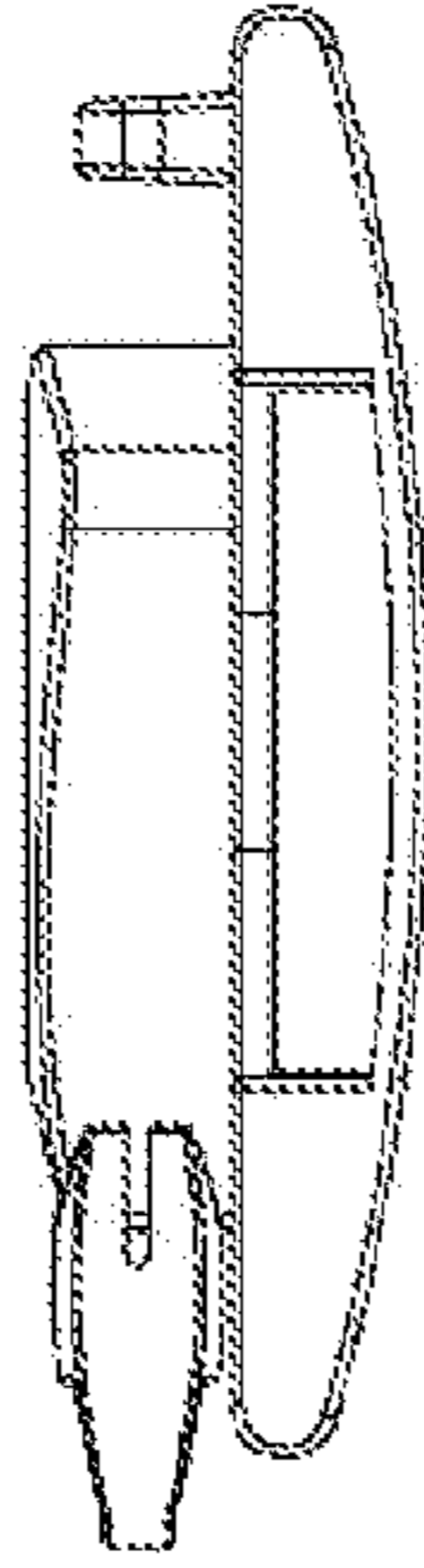


Fig.3

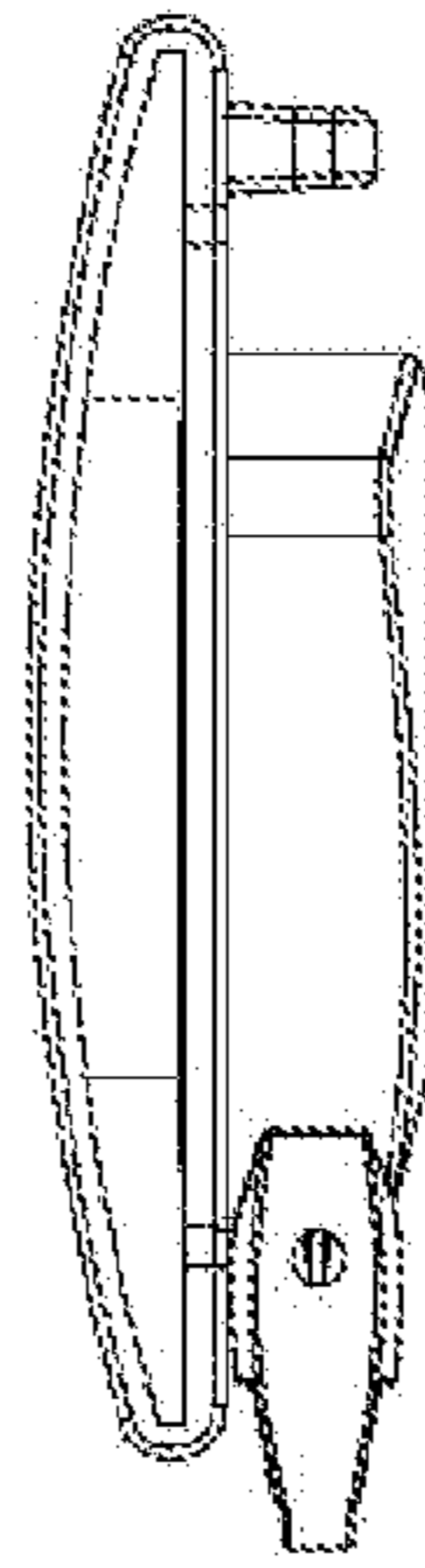


Fig.4

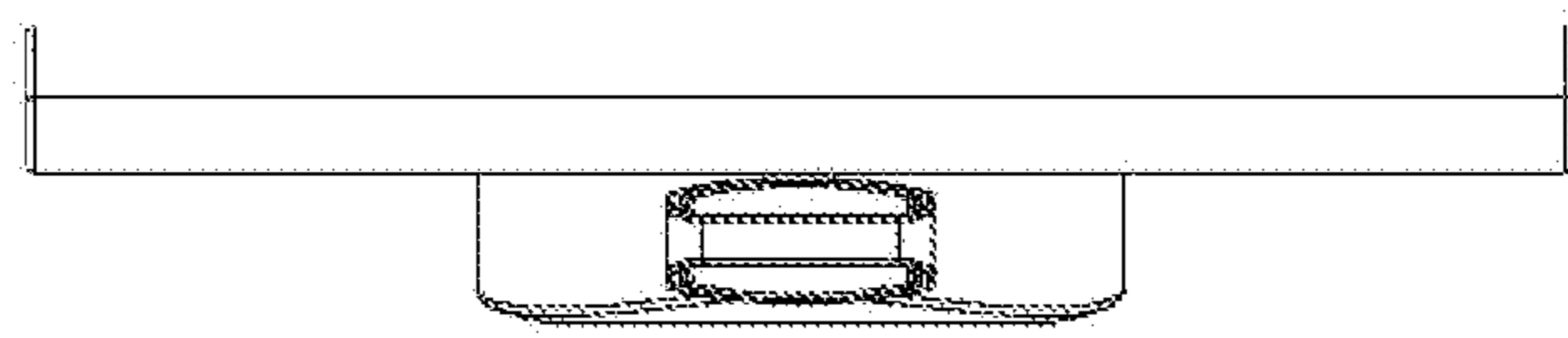


Fig. 5

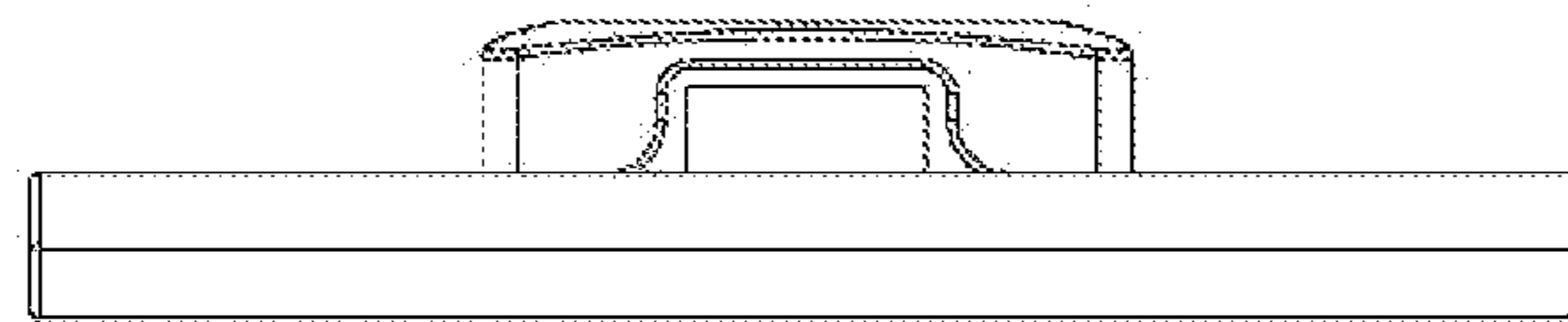


Fig.6

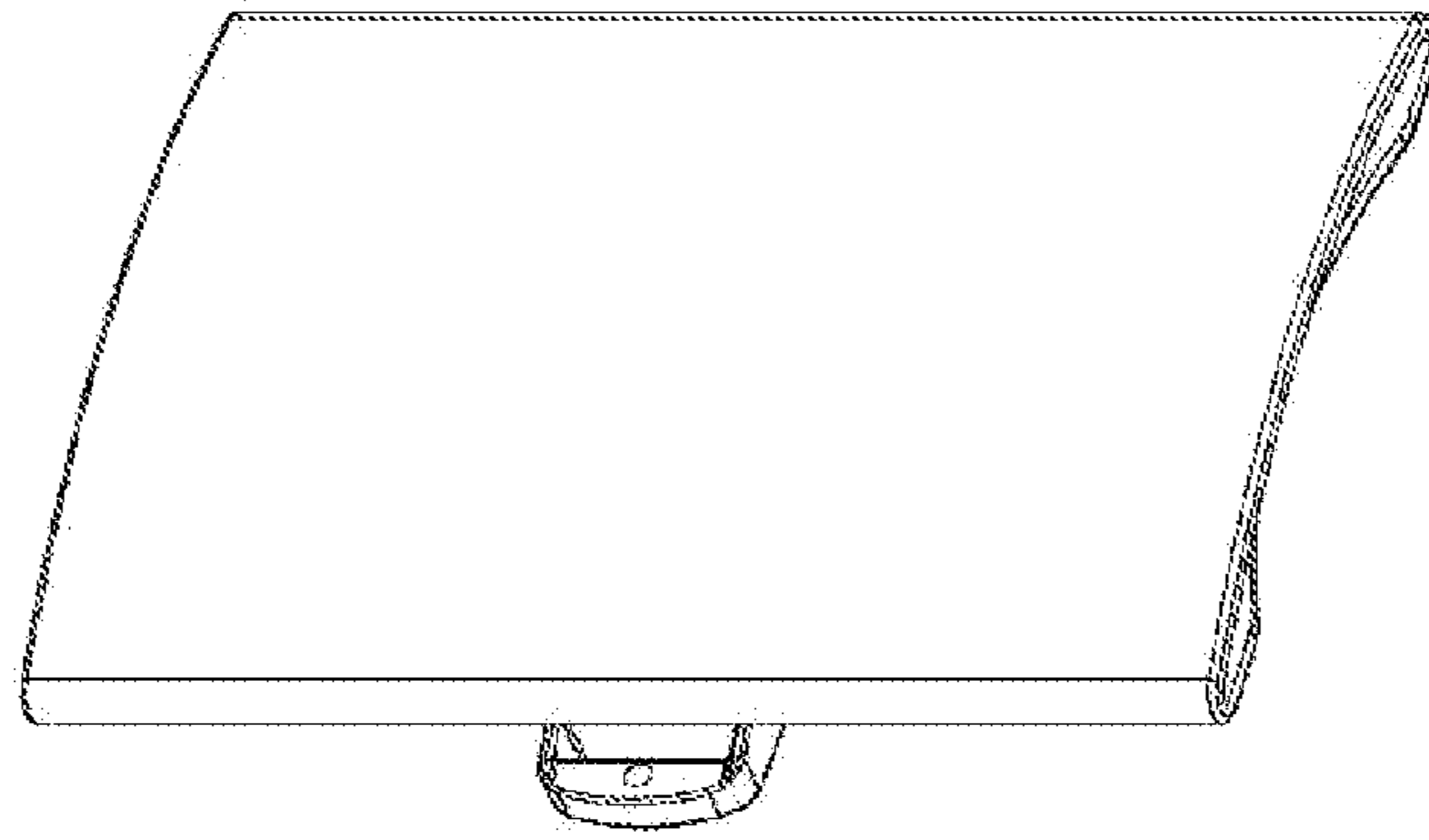


Fig.7

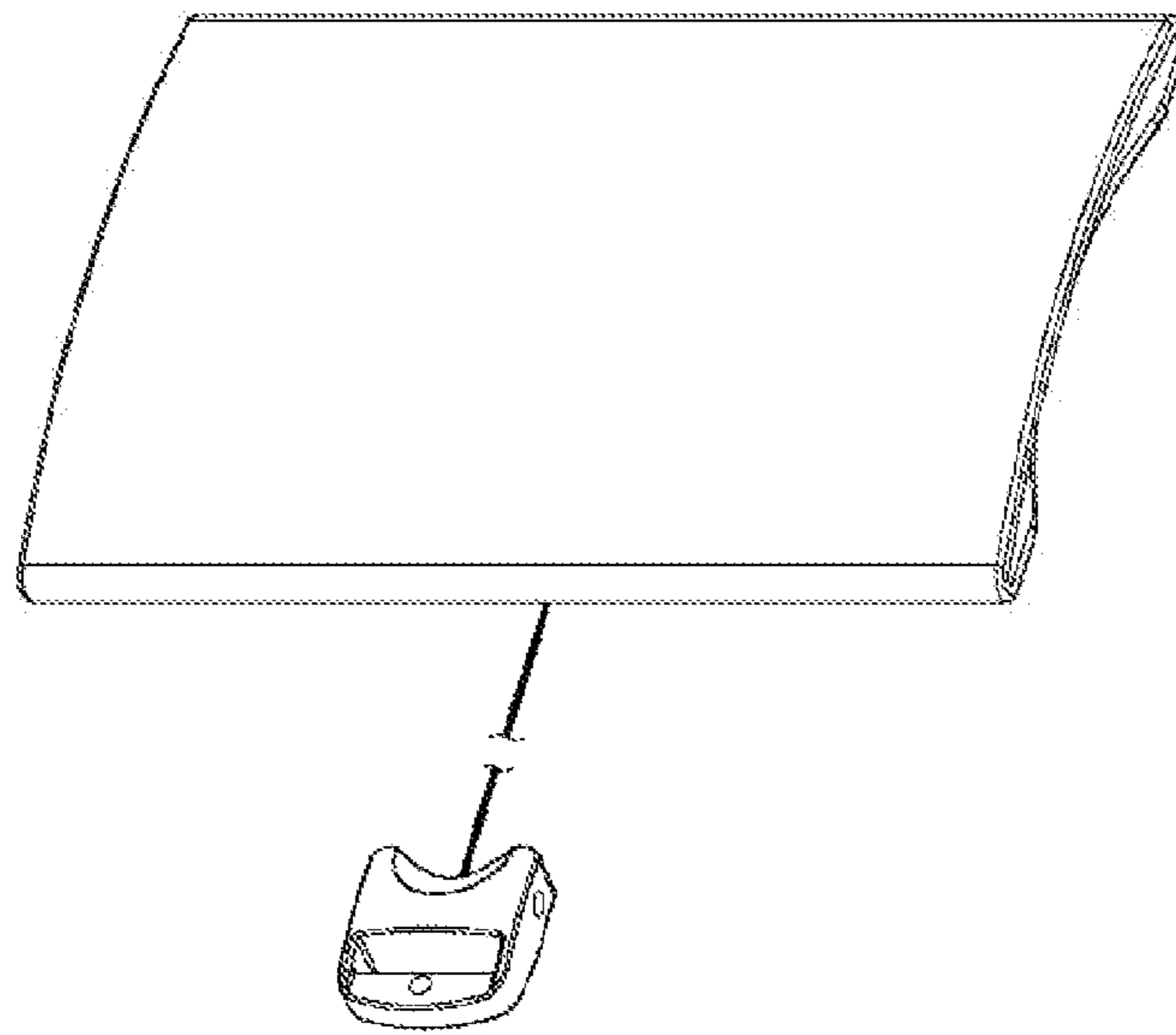


Fig.8

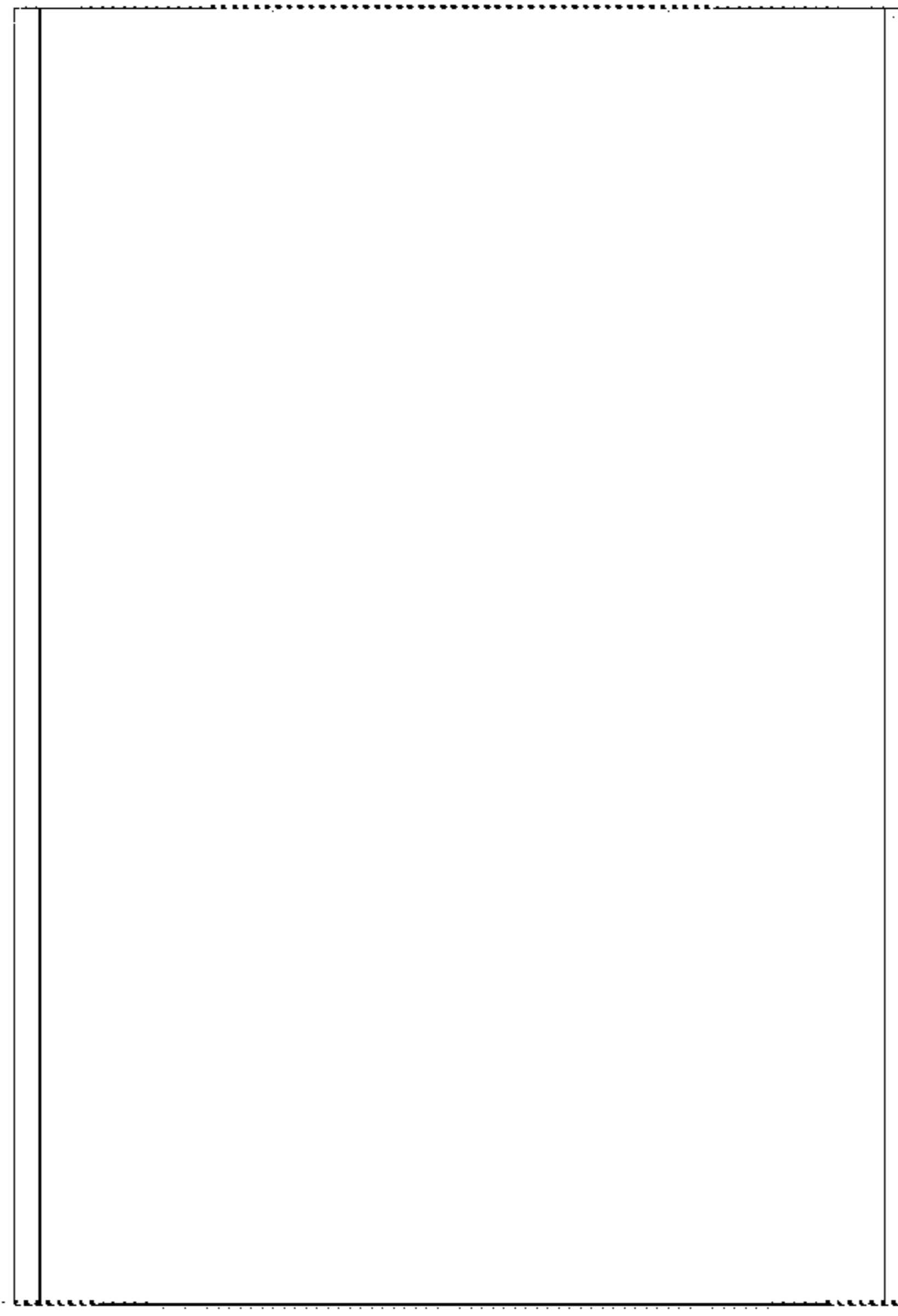


Fig. 9

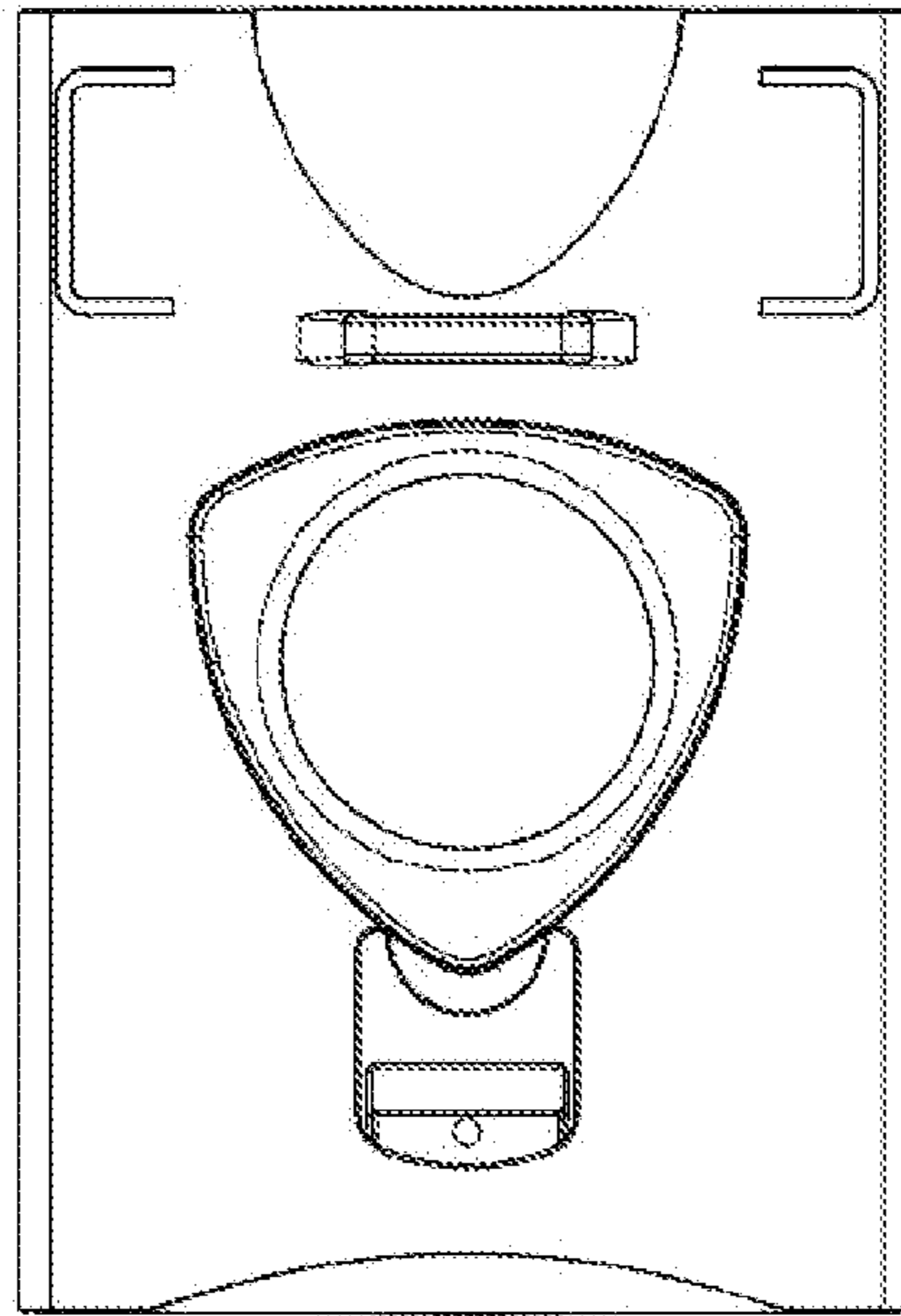


Fig. 10

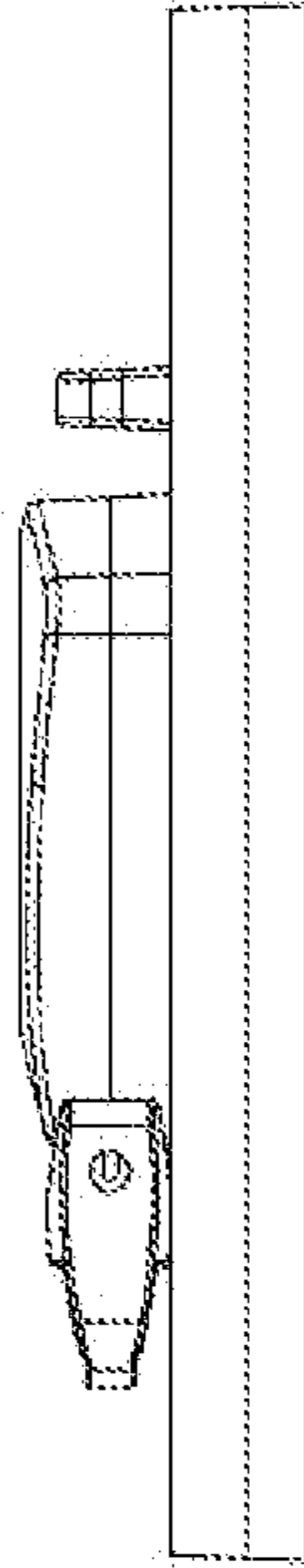


Fig. 11

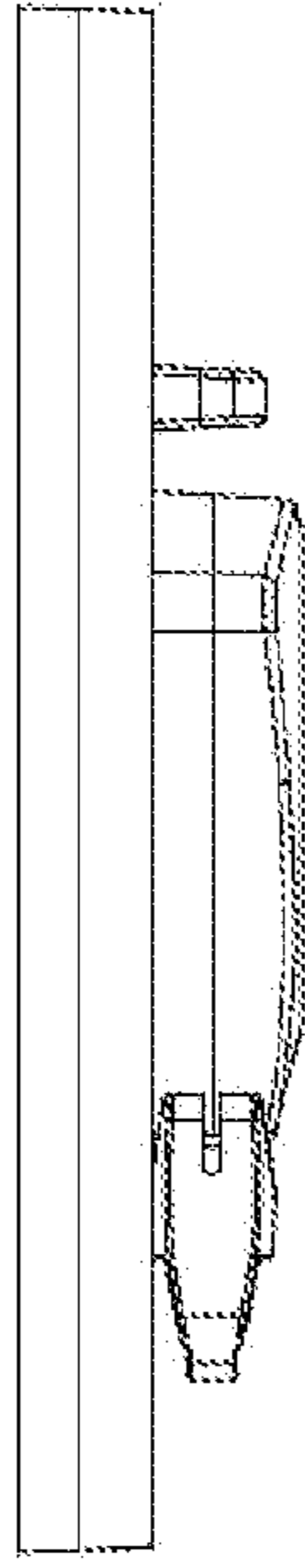


Fig. 12

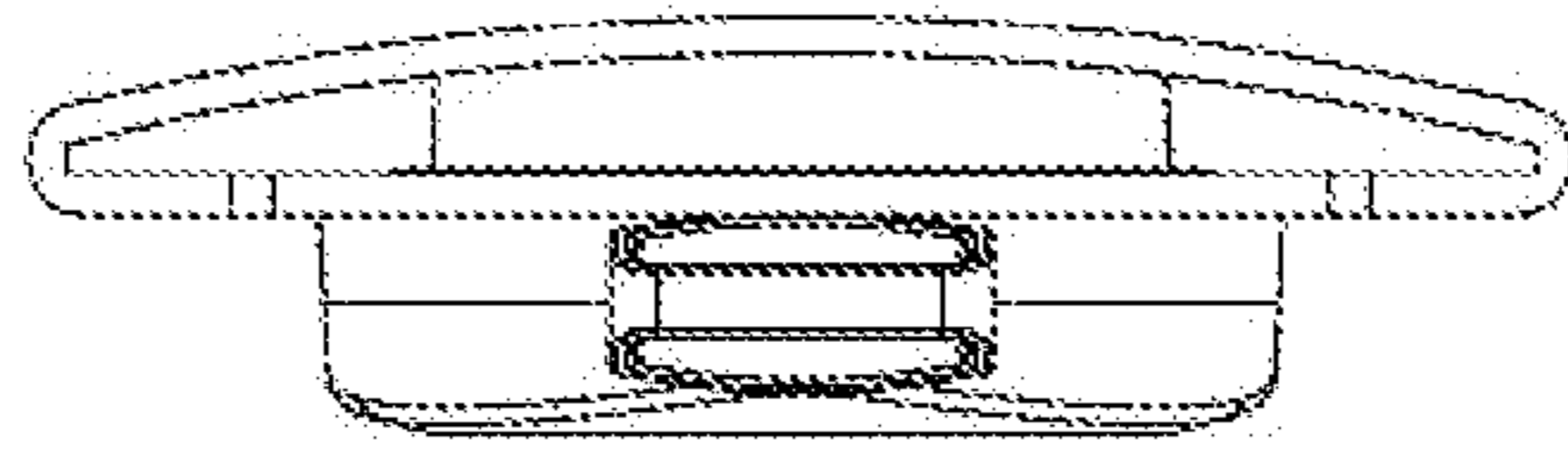


Fig. 13

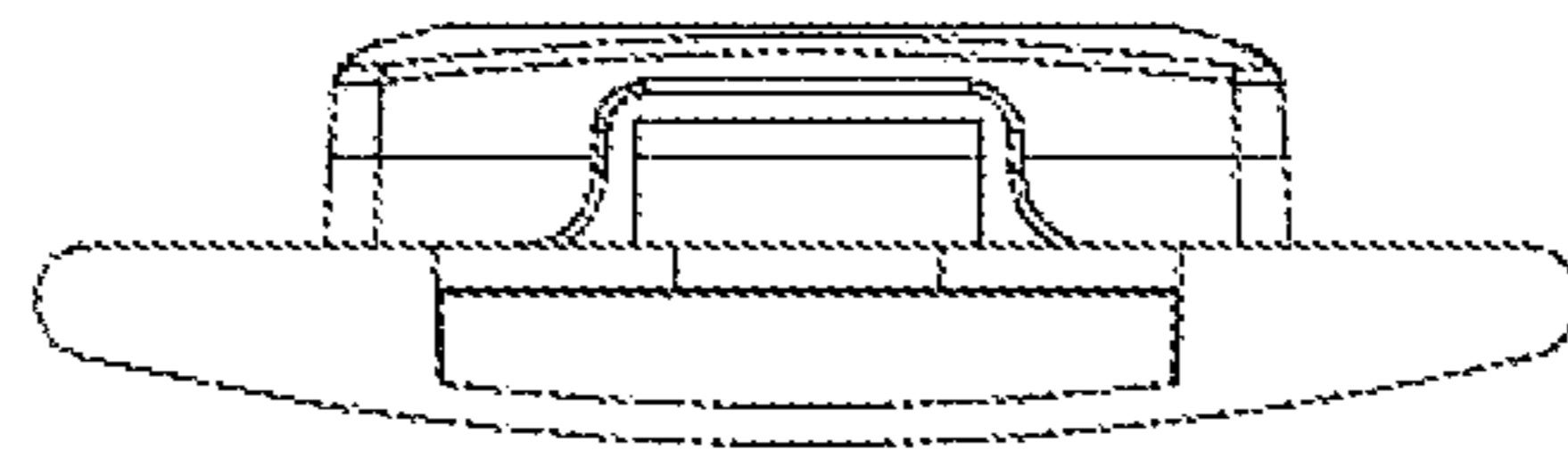


Fig. 14

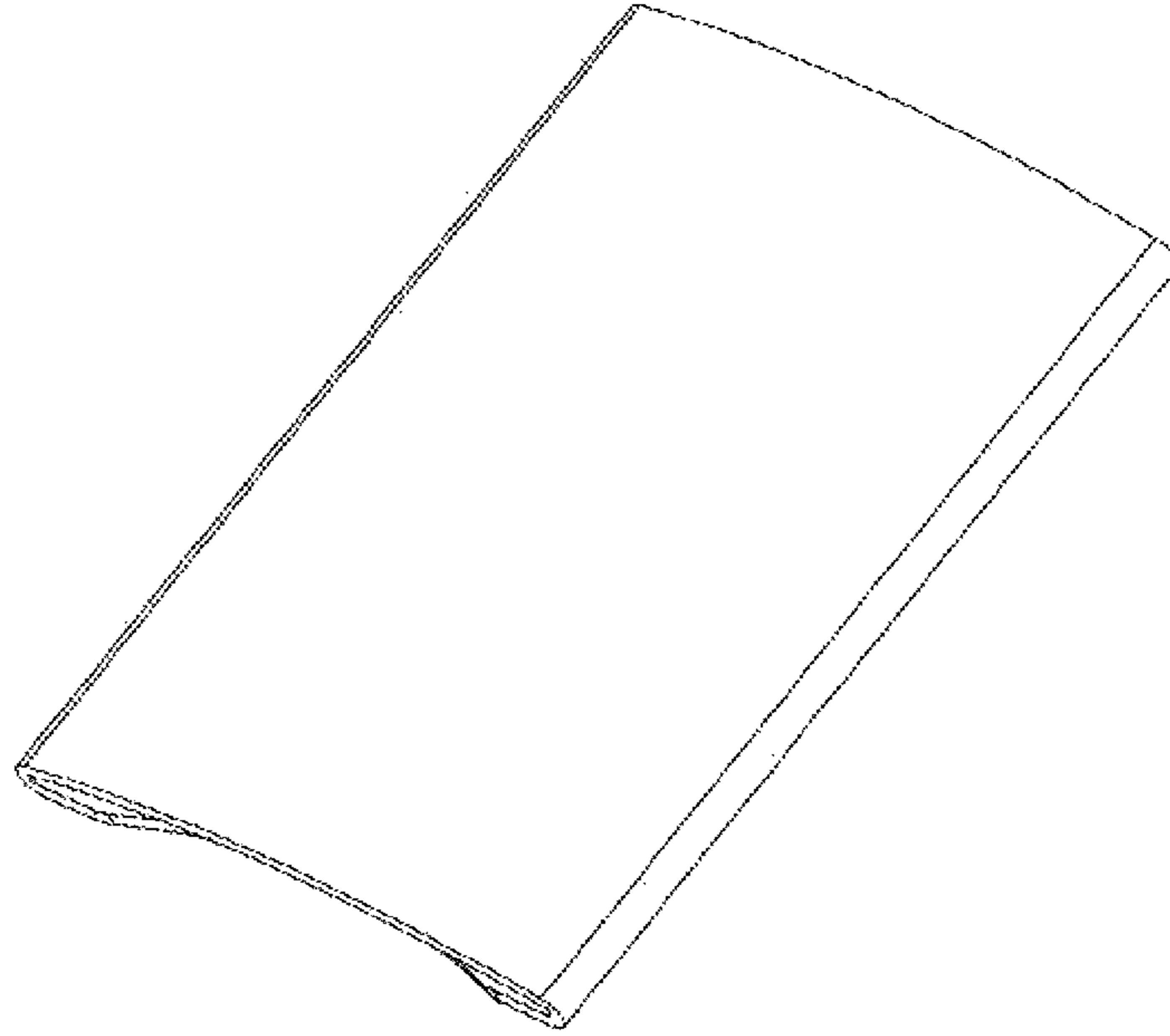


Fig. 15

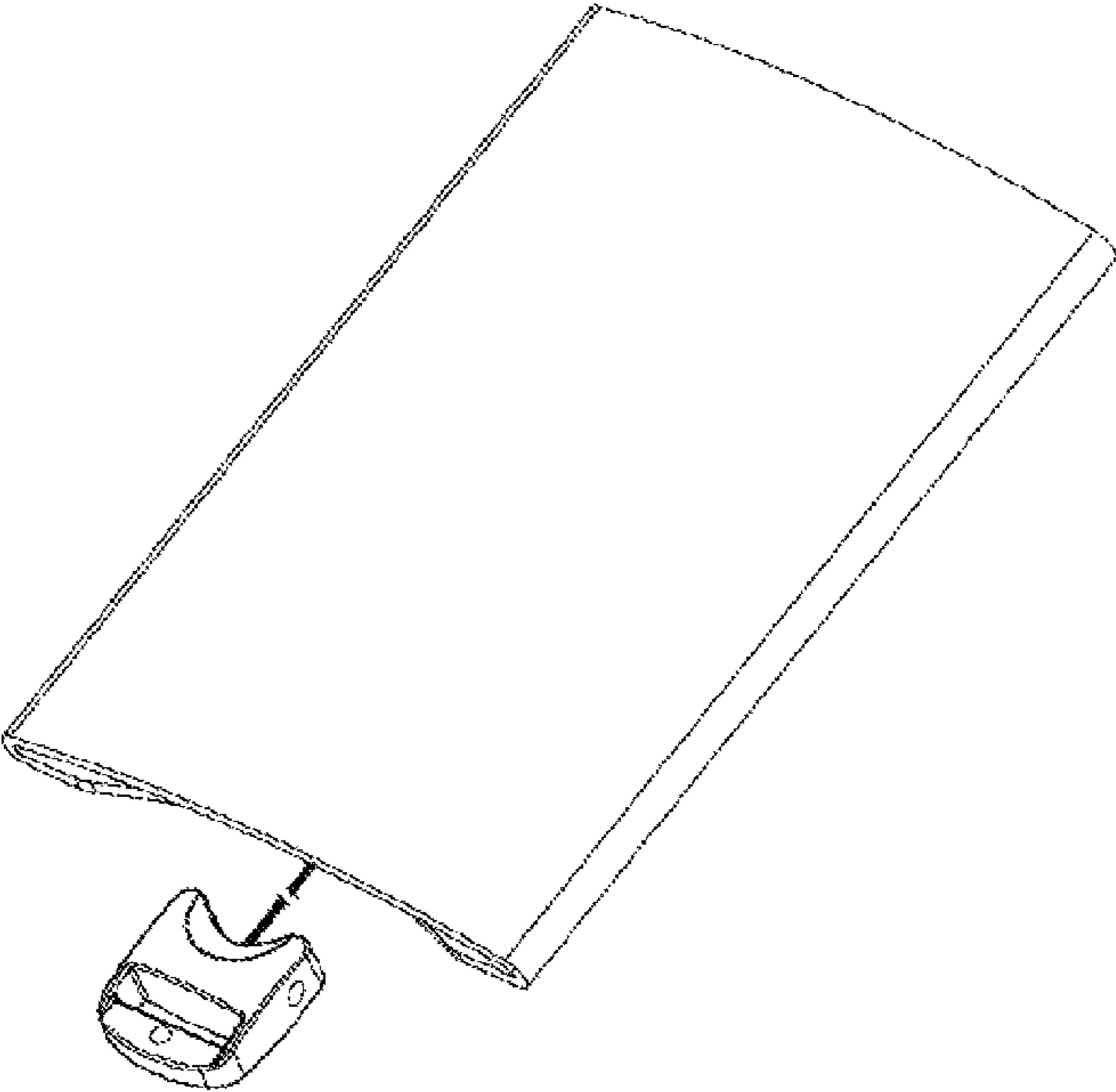


Fig. 16