

US00D693572S

(12) **United States Design Patent**
Kuster et al.

(10) **Patent No.:** **US D693,572 S**
(45) **Date of Patent:** **** Nov. 19, 2013**

(54) **HANDBAG**

(75) Inventors: **Laurence Kuster**, London (GB);
Nicolas Baurain, London (GB); **Simon Holloway**, London (GB)

(73) Assignee: **J. Choo Limited**, London (GB)

(**) Term: **14 Years**

(21) Appl. No.: **29/426,051**

(22) Filed: **Jun. 29, 2012**

(30) **Foreign Application Priority Data**

Mar. 7, 2012 (EM) 002004895-0015

(51) **LOC (9) Cl.** **03-01**

(52) **U.S. Cl.**
USPC **D3/243**

(58) **Field of Classification Search**
USPC D3/232-233, 240-243, 245-246;
150/100, 103-110, 113-114, 117-119
See application file for complete search history.

(56) **References Cited**

U.S. PATENT DOCUMENTS

D174,859 S *	5/1955	Kaplan	D3/243
D532,200 S	11/2006	Gonzalez		
D564,760 S	3/2008	Gonzalez		
D631,655 S *	2/2011	Della Valle	D3/243
D655,583 S *	3/2012	Palazzolo	D7/709

OTHER PUBLICATIONS

Design U.S. Appl. No. 29/420,867, filed May 14, 2012, first named inventor is Laurence Kuster.

Design U.S. Appl. No. 29/420,872, filed May 14, 2012, first named inventor is Laurence Kuster.

* cited by examiner

Primary Examiner — Holly Baynham

(74) *Attorney, Agent, or Firm* — Fross Zelnick Lehrman & Zissu, P.C.; Lawrence E. Apolzon, Esq.

(57) **CLAIM**

The ornamental design for a handbag, as shown and described.

DESCRIPTION

FIG. 1 is a front perspective view of a handbag showing my new design;

FIG. 2 is a front view of the handbag shown in FIG. 1;

FIG. 3 is a rear view of the handbag shown in FIG. 1;

FIG. 4 is a right side of the handbag shown in FIG. 1;

FIG. 5 is a left side view of the handbag shown in FIG. 1;

FIG. 6 is a top view of the handbag shown in FIG. 1; and,

FIG. 7 is a bottom view of the handbag shown in FIG. 1.

The broken line showing of the handles, clasp, screws, grommets, rivets, metal rings, hanging leather tabs, and portions of the body of the bag in relevant drawings shows unclaimed subject matter for the design in those drawings.

1 Claim, 6 Drawing Sheets





FIG. 1



FIG. 2



FIG. 3

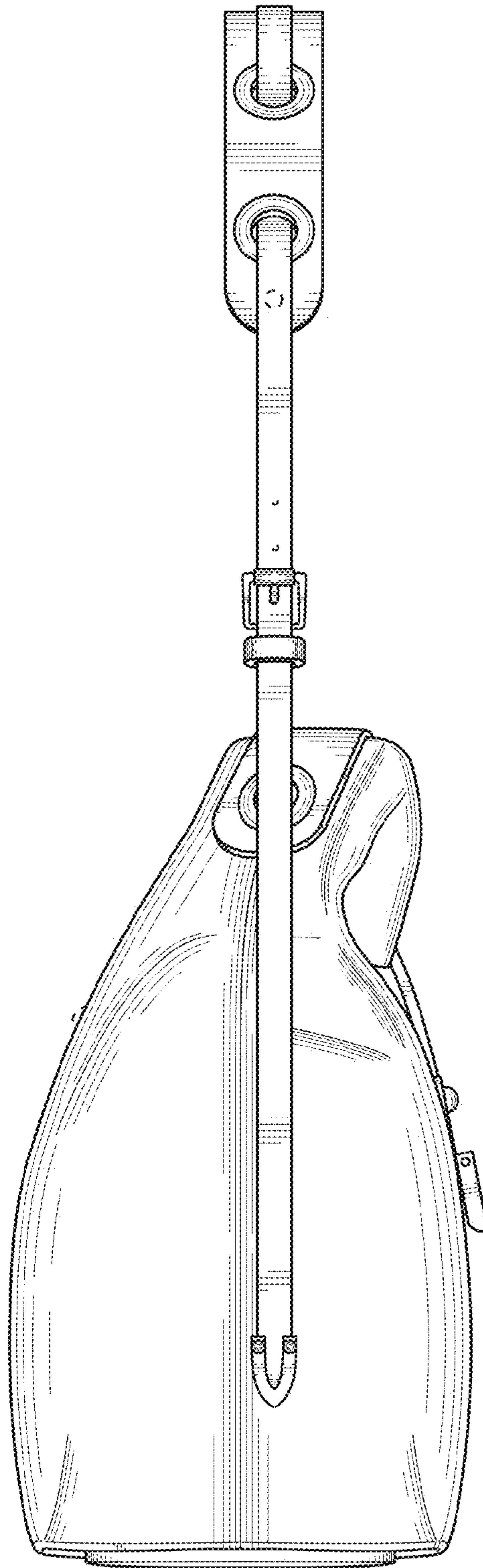


FIG. 4

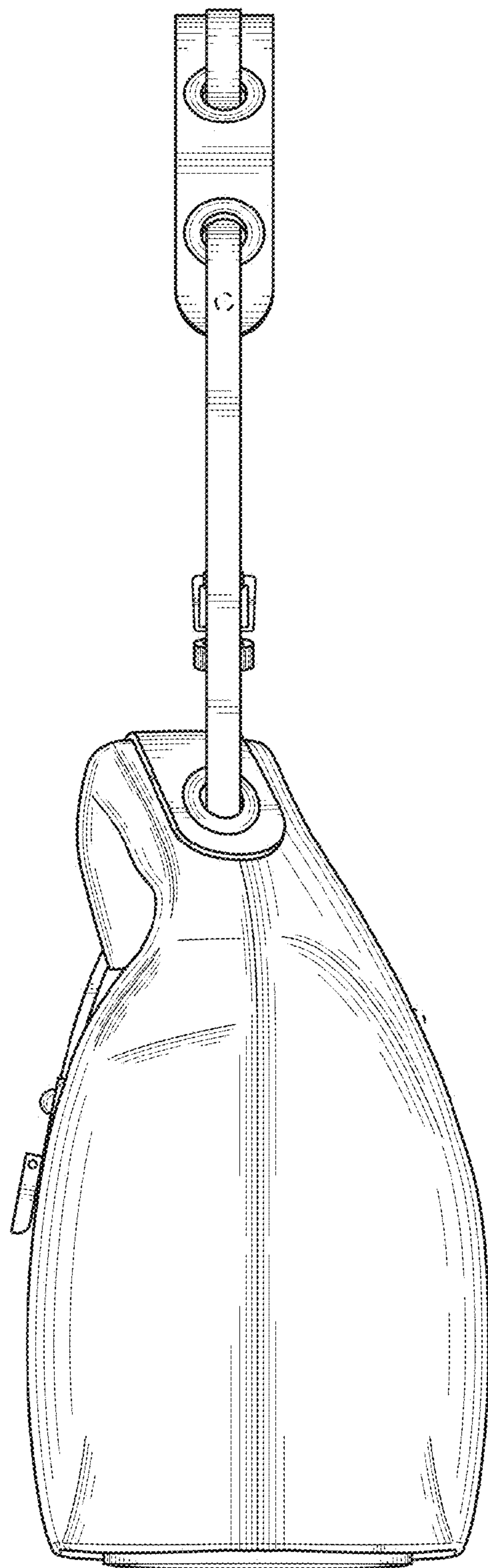


FIG. 5

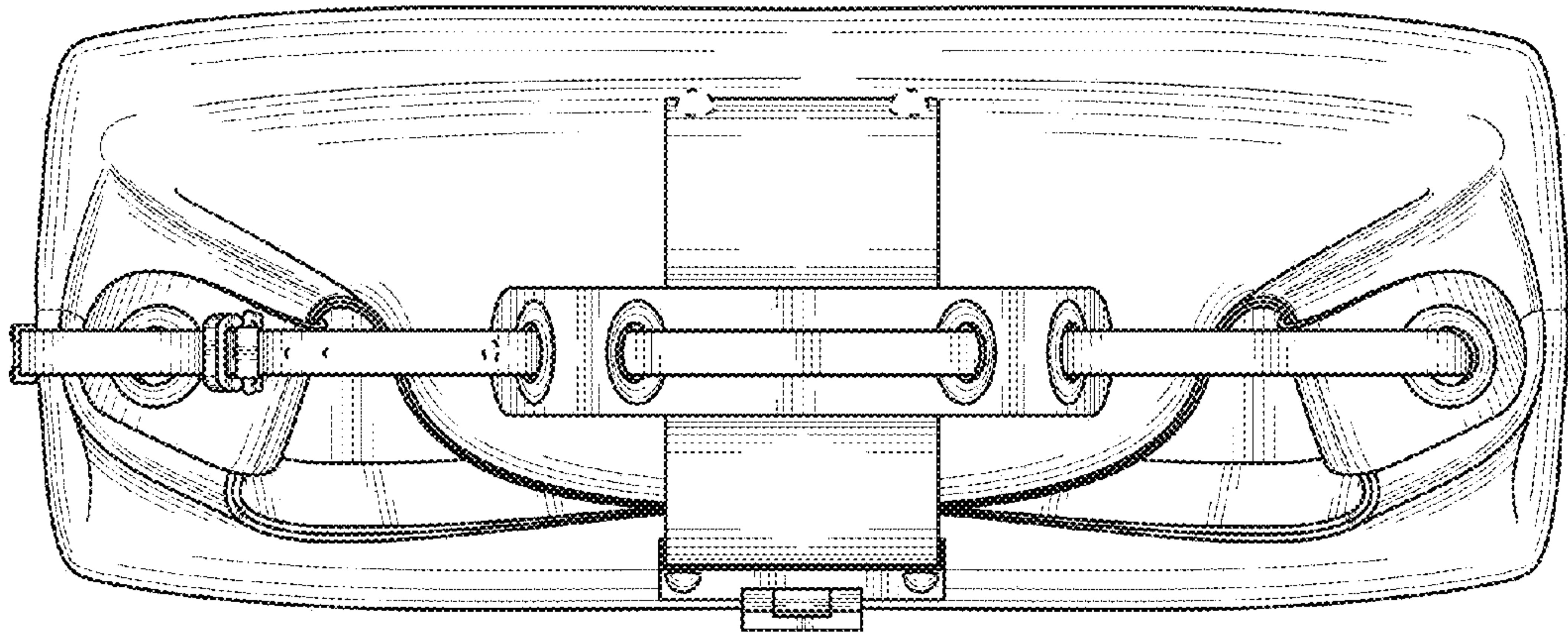


FIG. 6

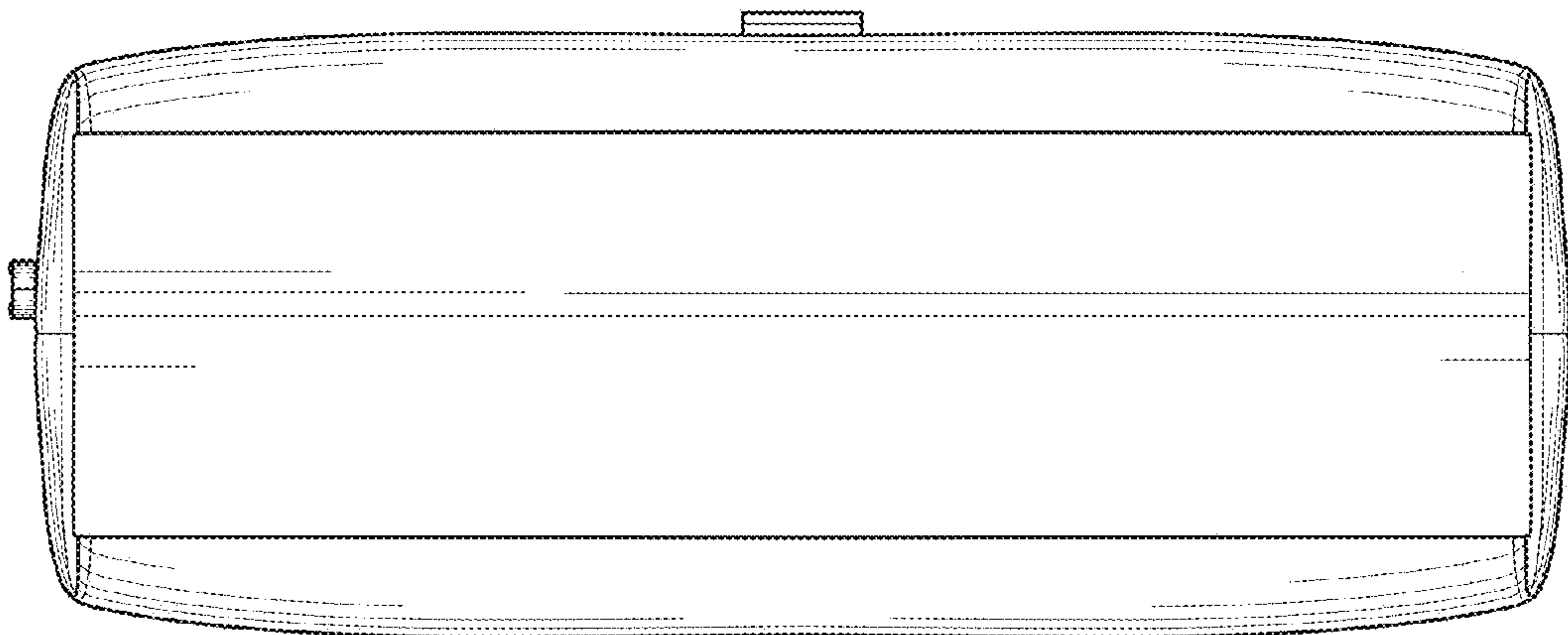


FIG. 7