



US00D693569S

(12) **United States Design Patent**
Lehan

(10) **Patent No.:** **US D693,569 S**

(45) **Date of Patent:** **** Nov. 19, 2013**

(54) **CHILD CARRIER**

(71) Applicant: **Lehan Imports, LLC**, Boulder, CO (US)

(72) Inventor: **Lisbeth Hals Lehan**, Boulder, CO (US)

(73) Assignee: **Lehan Imports, LLC**, Boulder, CO (US)

(**) Term: **14 Years**

(21) Appl. No.: **29/433,896**

(22) Filed: **Oct. 5, 2012**

(51) **LOC (9) Cl.** **03-99**

(52) **U.S. Cl.**
USPC **D3/214**

(58) **Field of Classification Search**
USPC D3/213, 214, 215, 216; D29/100,
D29/101.1, 101.2, 101.3, 101.4, 101.5;
224/158, 159, 160, 161, 264, 270, 907;
119/220; 446/28

See application file for complete search history.

(56) **References Cited**

U.S. PATENT DOCUMENTS

3,481,517	A	12/1969	Aukerman	
3,587,952	A	6/1971	Higuchi	
4,009,808	A	3/1977	Sharp	
D253,558	S *	12/1979	Carter	D3/214
4,234,229	A	11/1980	Arnold	
4,428,514	A	1/1984	Elf	
4,434,920	A	3/1984	Moore	
4,492,326	A	1/1985	Storm	
4,579,264	A	4/1986	Napolitano	
4,724,988	A	2/1988	Tucker	
4,986,458	A	1/1991	Lindsay	
5,246,152	A	9/1993	Dotseth	
5,813,580	A	9/1998	Fair	
6,415,969	B1	7/2002	Higuchi	

6,520,391	B2 *	2/2003	Yen	224/160
D486,635	S *	2/2004	Yagisawa	D3/213
6,715,651	B2	4/2004	Le Gal	
D509,056	S *	9/2005	Shiraishi et al.	D3/213
7,484,645	B2 *	2/2009	Hoff et al.	224/160
D611,699	S *	3/2010	Lundh	D3/214
7,770,765	B2 *	8/2010	Stevens et al.	224/160
D642,375	S *	8/2011	Zack et al.	D3/214
D655,495	S *	3/2012	Sauer et al.	D3/214
8,172,116	B1	5/2012	Lehan et al.	
2005/0051582	A1	3/2005	Frost	
2009/0026235	A1 *	1/2009	Gray	224/160
2009/0206116	A1 *	8/2009	Grant	224/160
2011/0174845	A1 *	7/2011	LaBelle et al.	224/160
2012/0061429	A1 *	3/2012	Sauer	224/160

* cited by examiner

Primary Examiner — Caron D Veynar

Assistant Examiner — Martie K Holtje

(74) *Attorney, Agent, or Firm* — Sheridan Ross P.C.

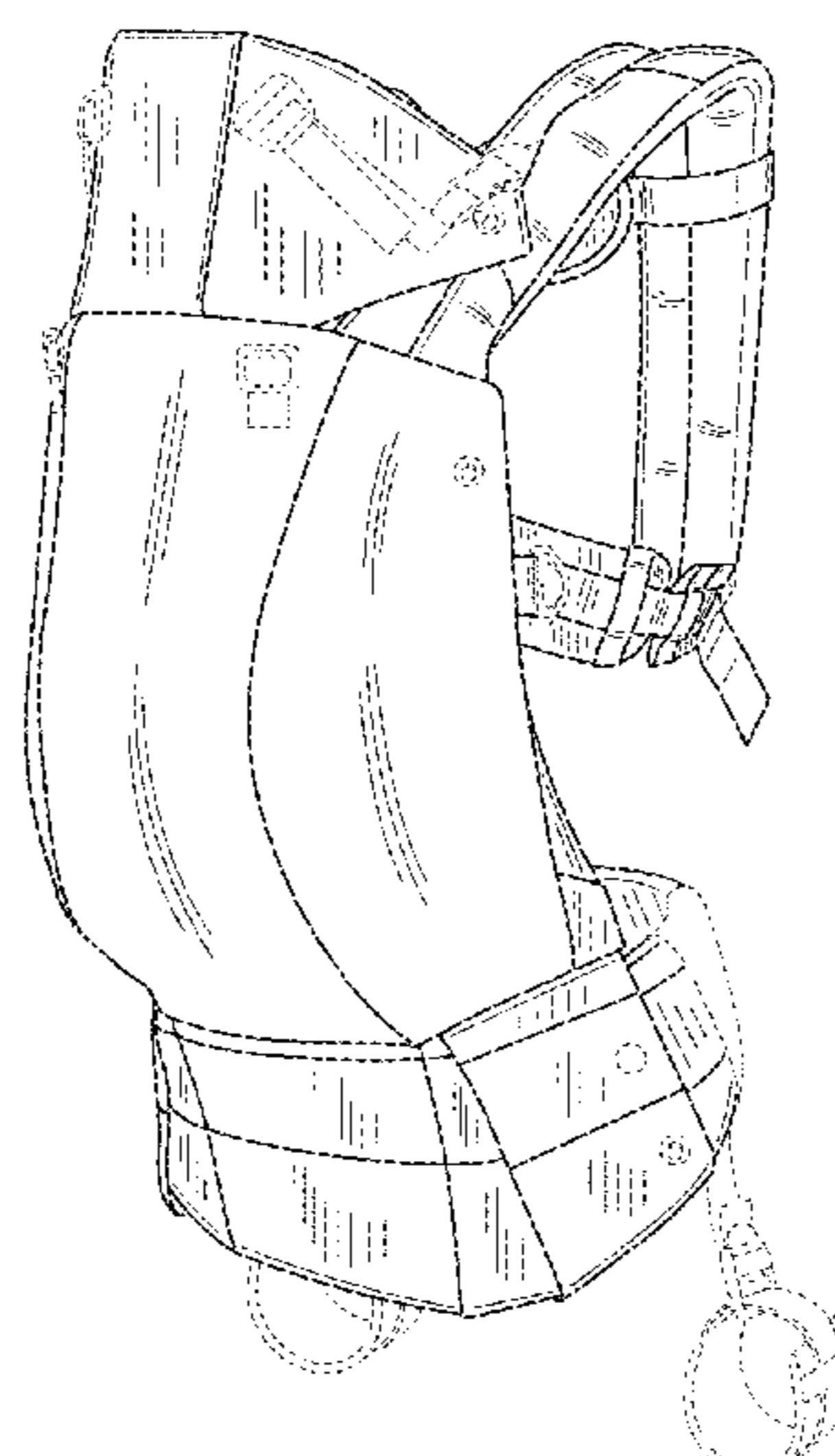
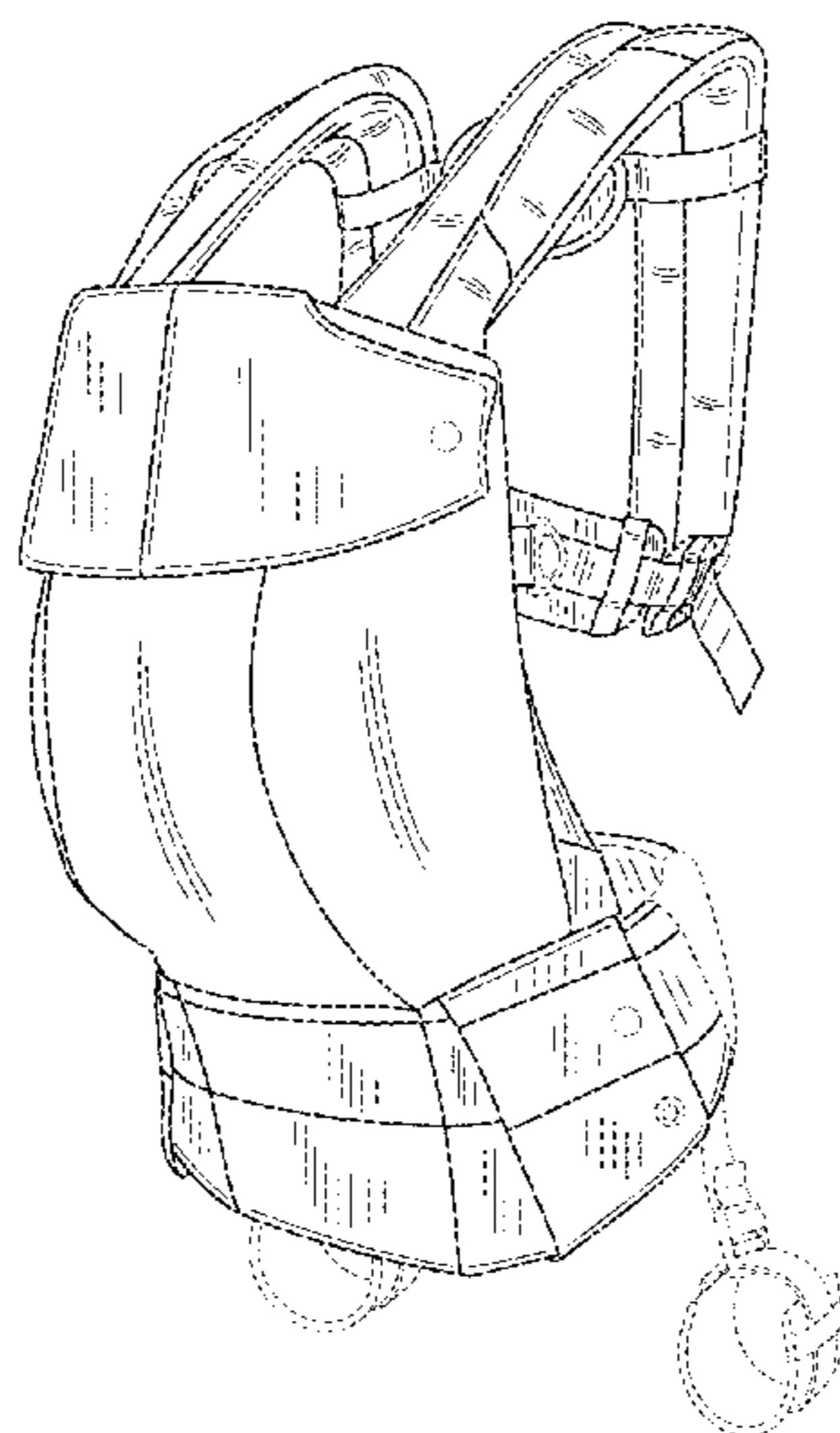
(57) **CLAIM**

The ornamental design for a child carrier, as shown and described.

DESCRIPTION

FIG. 1 is a perspective view of the child carrier;
 FIG. 2 is a front elevation view thereof;
 FIG. 3 is a right elevation view thereof;
 FIG. 4 is a rear elevation view thereof;
 FIG. 5 is a left elevation view thereof;
 FIG. 6 is a top plan view thereof;
 FIG. 7 is a perspective view thereof, wherein a neck support is shown in a second position of use;
 FIG. 8 is a perspective view thereof, wherein side seat flaps are shown in a second position of use; and,
 FIG. 9 is a rear elevation view of FIG. 8.
 The structural features depicted by broken line-work have been provided for the purpose of illustrating portions of the child carrier that form no part of the claimed design.

1 Claim, 9 Drawing Sheets



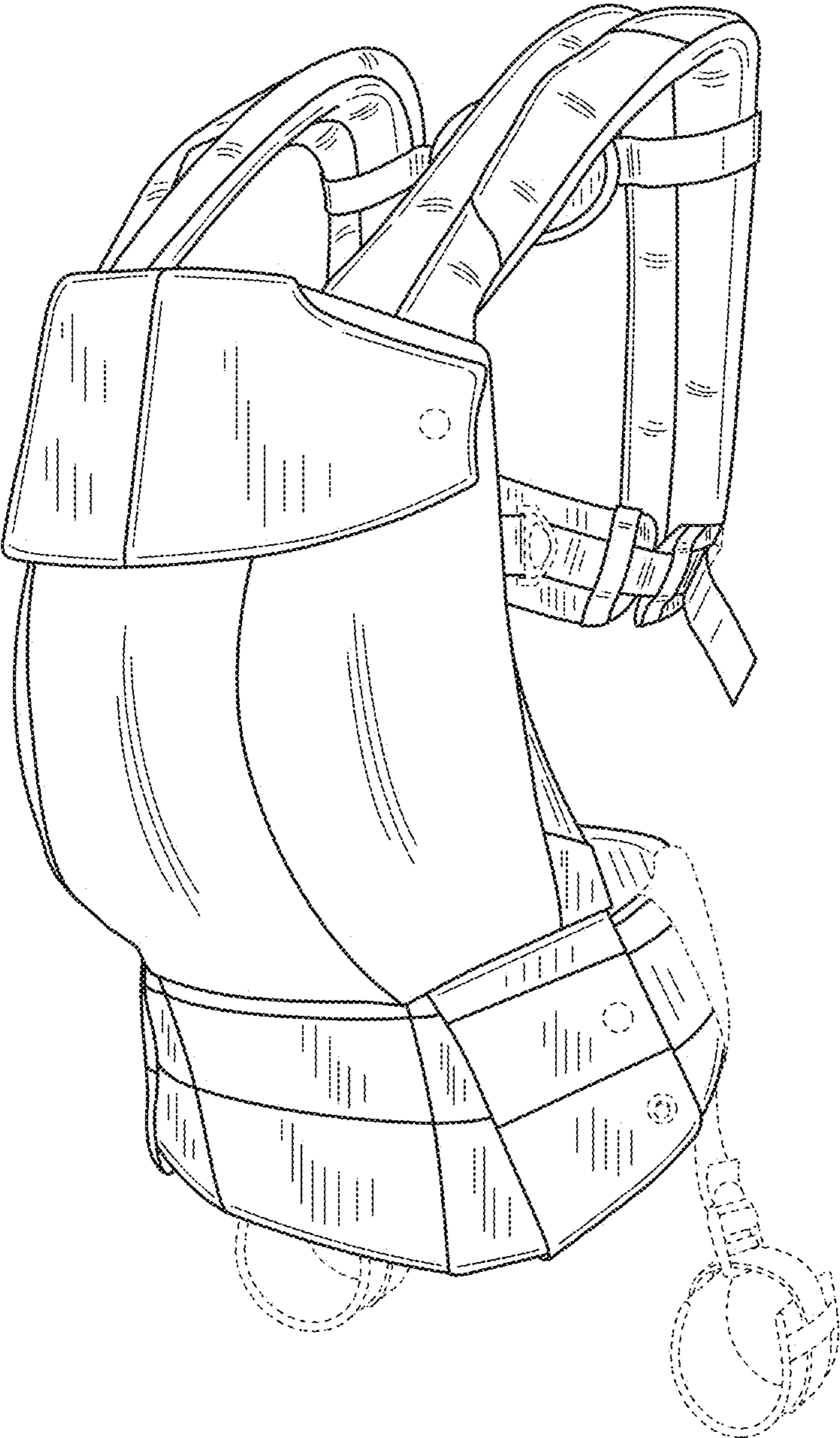


FIG. 1

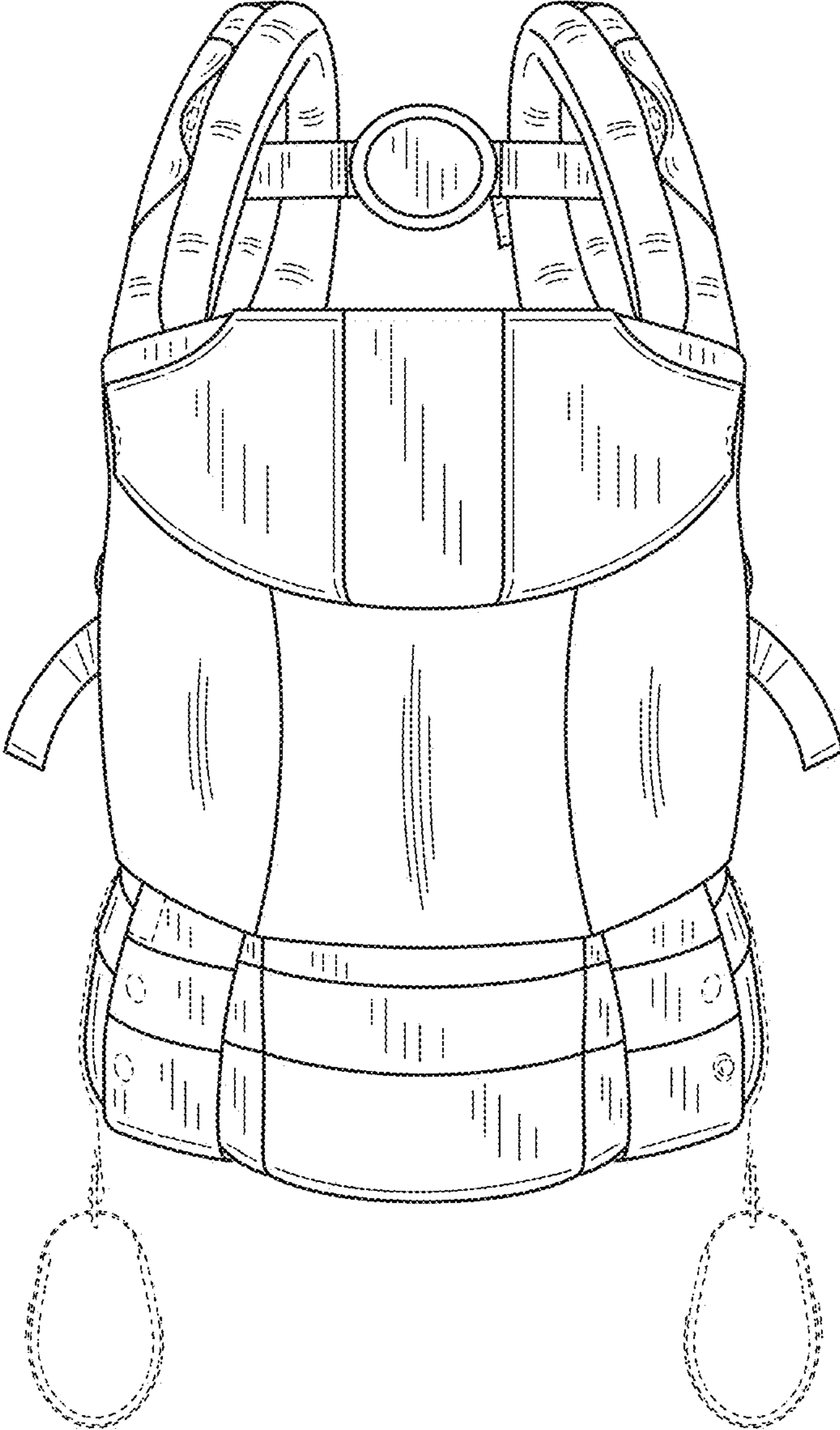


FIG.2

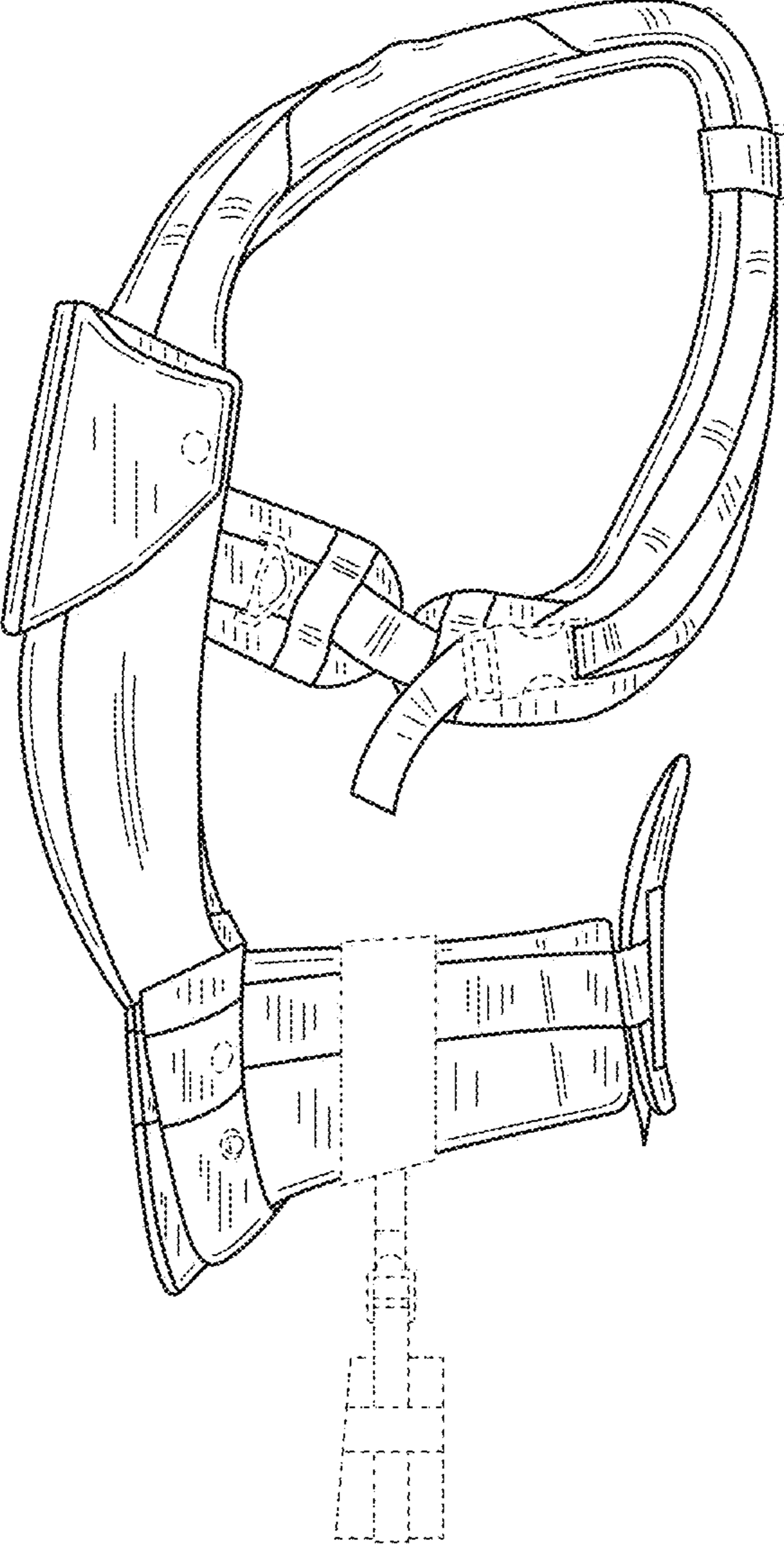


FIG.3

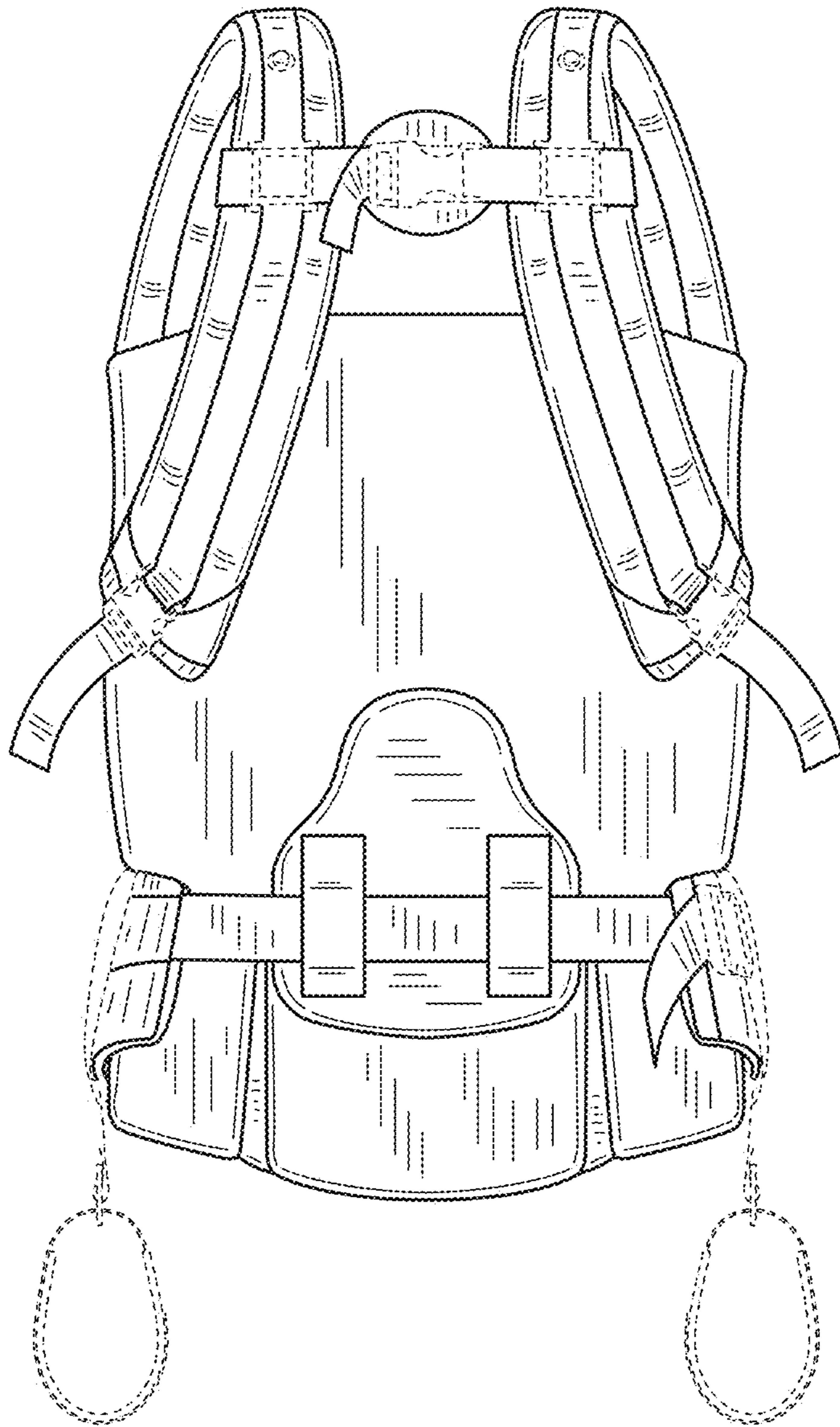


FIG.4

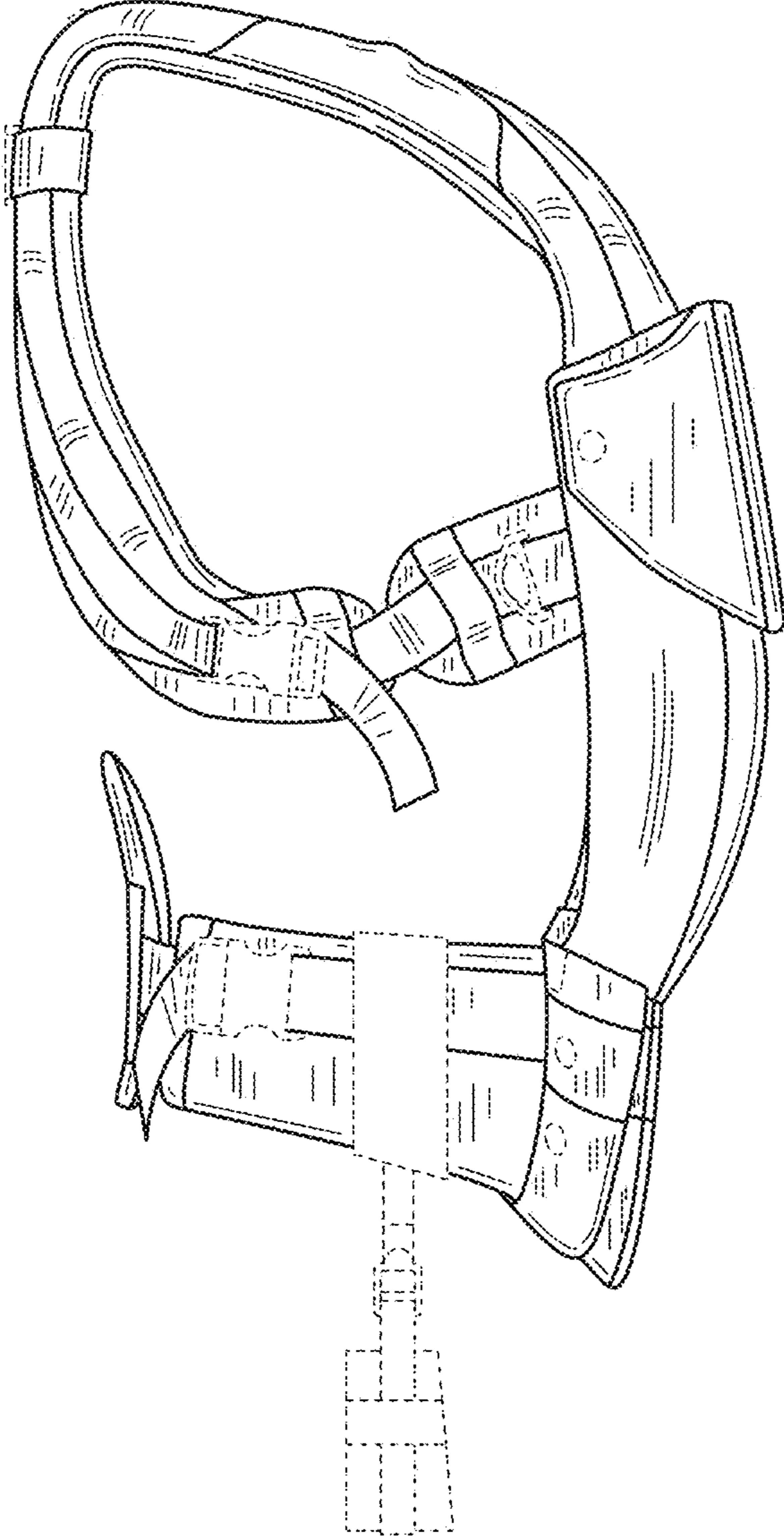


FIG.5

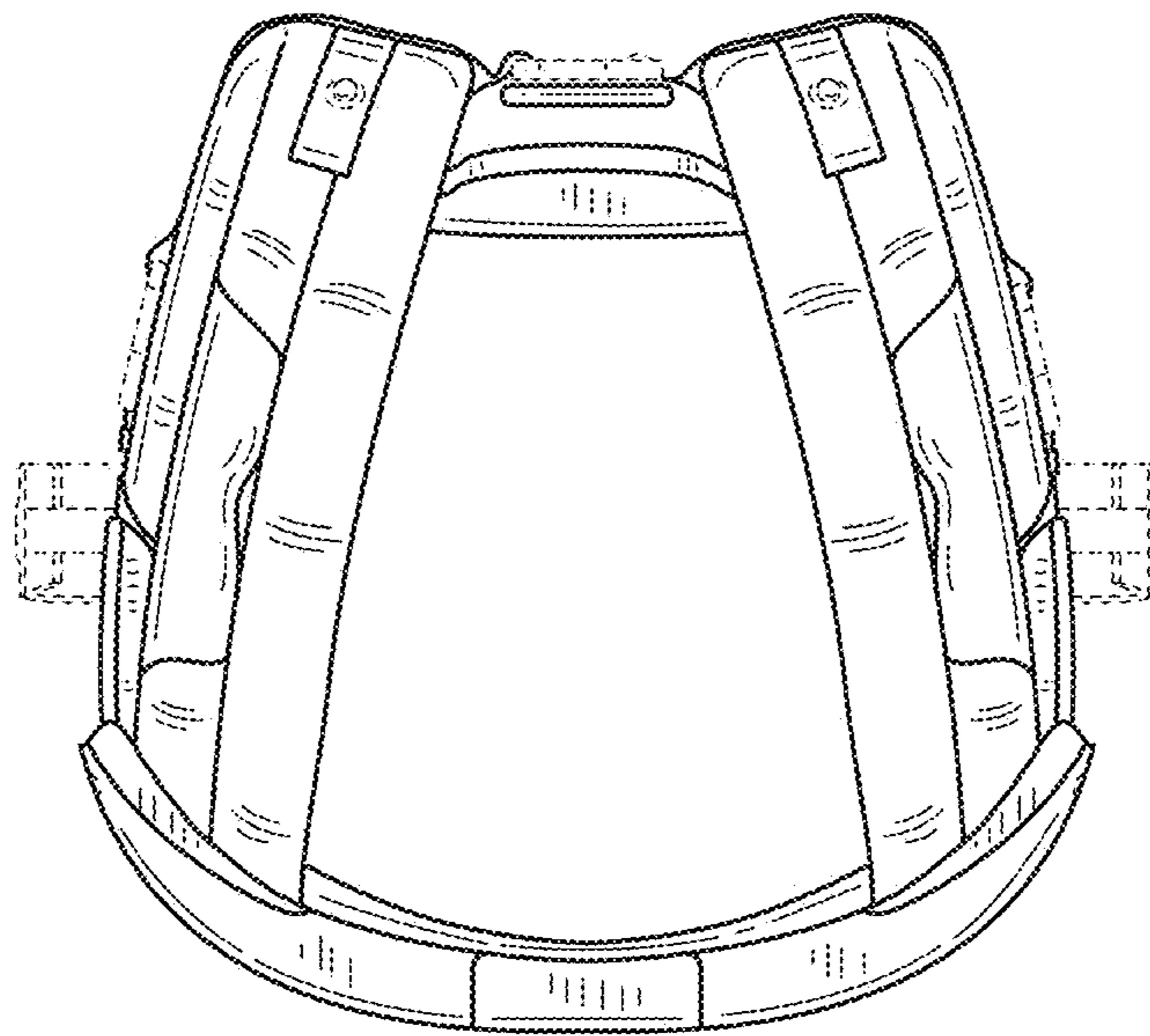


FIG.6

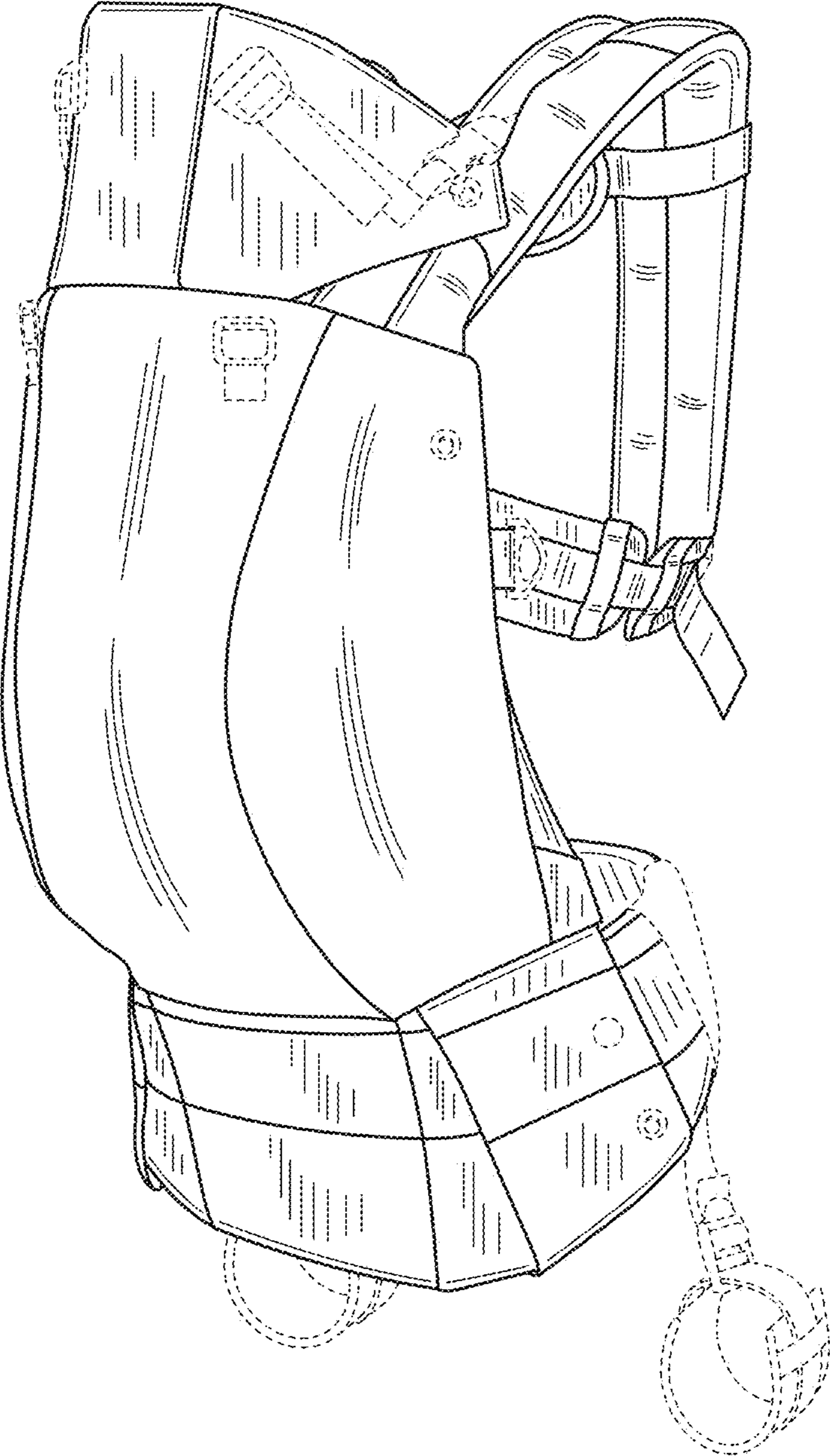


FIG.7

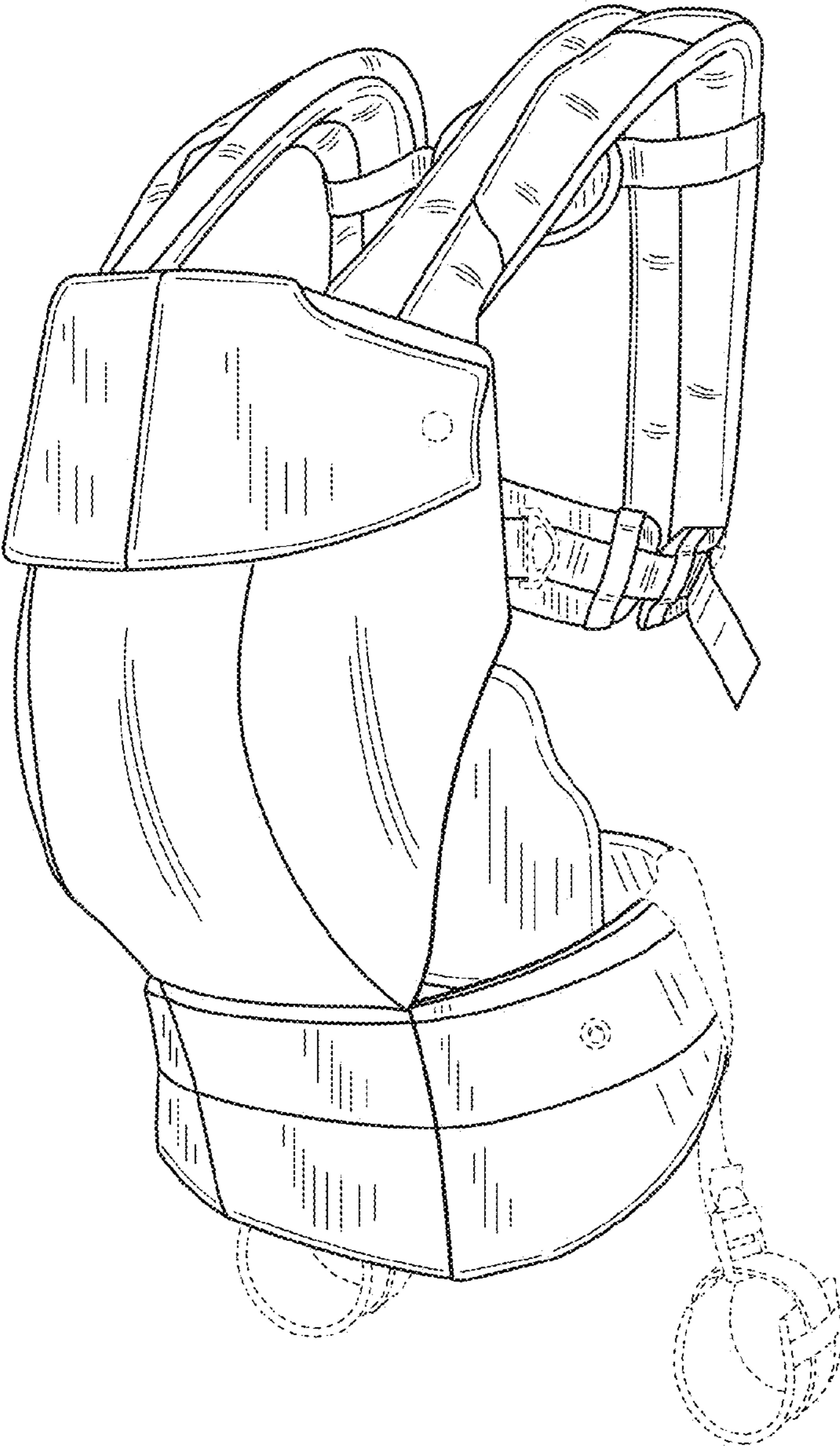


FIG. 8

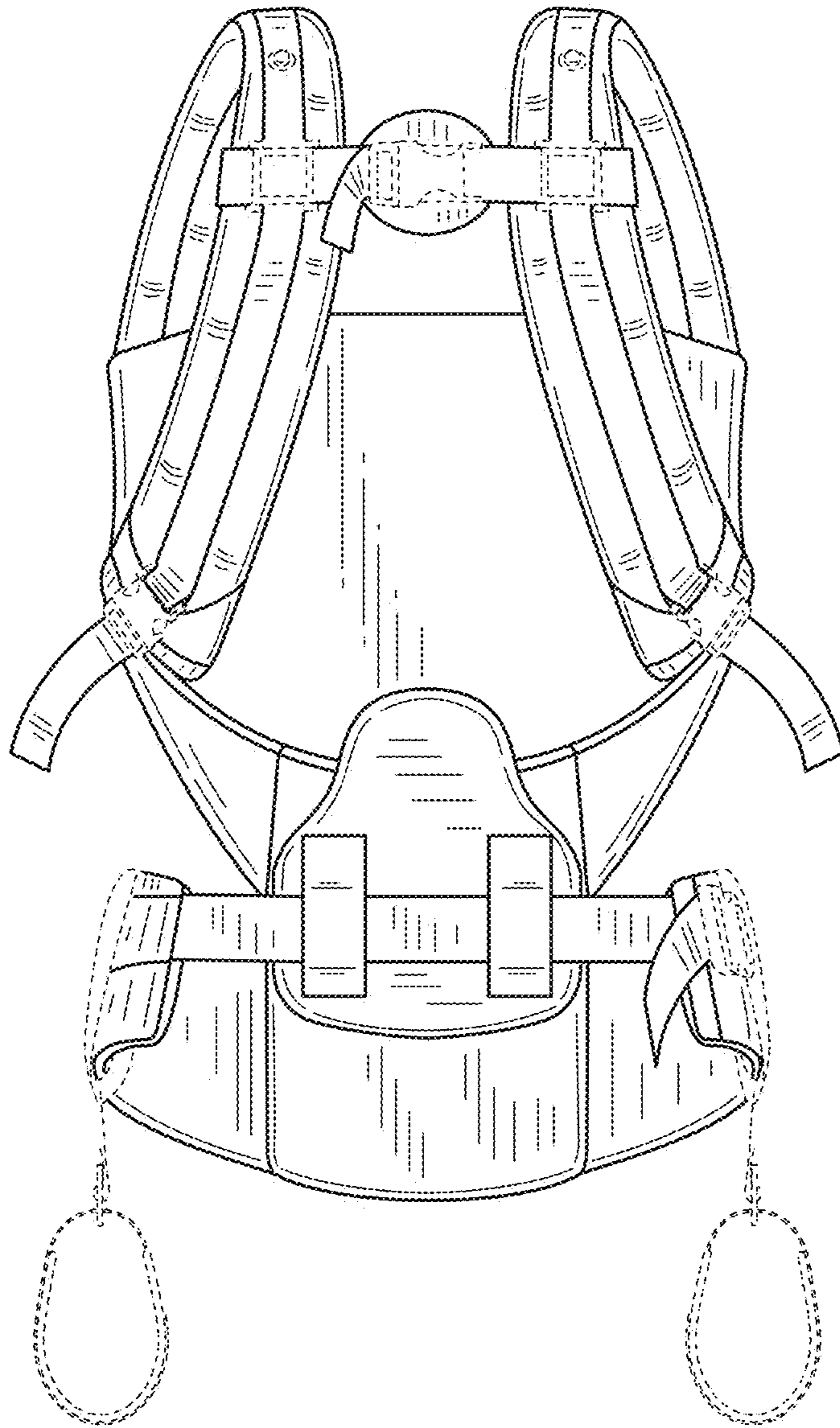


FIG.9