

US00D693564S

(12) **United States Design Patent**
Azar, Jr.

(10) **Patent No.:** **US D693,564 S**
(45) **Date of Patent:** **** Nov. 19, 2013**

(54) **WALKING STICK**

(76) Inventor: **Paul F. Azar, Jr.**, Leasburg, MO (US)

(**) Term: **14 Years**

(21) Appl. No.: **29/397,544**

(22) Filed: **Jul. 18, 2011**

(51) **LOC (9) Cl.** **03-03**

(52) **U.S. Cl.**
USPC **D3/7**

(58) **Field of Classification Search**
USPC D3/5-17; 135/15.1, 16, 33.2, 65-67,
135/70, 74-76, 80, 84, 910; 248/155.1,
248/155.5, 187.1, 129, 519, 522-523;
403/409.1

See application file for complete search history.

(56) **References Cited**

U.S. PATENT DOCUMENTS

772,408 A * 10/1904 Ely 135/66
7,905,667 B2 * 3/2011 Barker 396/419
8,136,542 B2 * 3/2012 Warren 135/65

* cited by examiner

Primary Examiner — Catheri Oliver-Garcia

(74) *Attorney, Agent, or Firm* — Harness, Dickey & Pierce,
P.L.C.

(57) **CLAIM**

The ornamental design for a walking stick, as shown and described.

DESCRIPTION

FIG. 1 is a perspective view of a first embodiment of a walking stick, showing my new design;
FIG. 2 is a partial perspective view of the upper portion of the walking stick shown in FIG. 1;
FIG. 3 is a front elevation view of the walking stick shown in FIG. 1;

FIG. 4 is a rear elevation view of the walking stick shown in FIG. 1;

FIG. 5 is a left side elevation view of the walking stick shown in FIG. 1;

FIG. 6 is a right side elevation view of the walking stick shown in FIG. 1;

FIG. 7 is a top plan view of the walking stick shown in FIG. 1;

FIG. 8 is a bottom plan view of the walking stick shown in FIG. 1;

FIG. 9 is an enlarged top plan view of the walking stick shown in FIG. 1;

FIG. 10 is a perspective view of a second embodiment of the walking stick shown in FIG. 1, with environmental subject matter shown in broken lines;

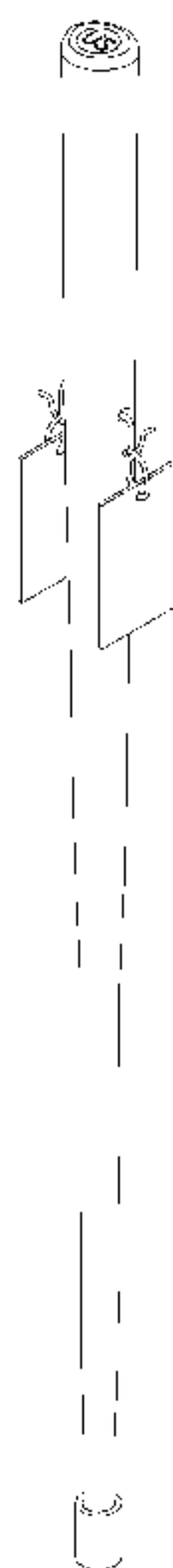
FIG. 11 is a perspective view of a third embodiment of the walking stick shown in FIG. 1, with environmental subject matter shown in broken lines; and,

FIG. 12 is a perspective view of a fourth embodiment of the walking stick shown in FIG. 1, with environmental subject matter shown in broken lines.

The details shown in broken lines in the illustrated embodiments depict environmental subject matter only in those embodiments and form no part of the design claimed with respect to those embodiments.

Broken lines are also used to indicate indeterminate length in FIGS. 10-12 as the walking stick in the second, third and fourth embodiments can be shorter or longer indeterminately in either or both directions relative to other features of the walking stick. The claimed design is primarily a walking stick having the features shown in solid lines in the illustrated embodiments which features vary depending on the embodiment. By way of example, a walking stick may be formed from wood (e.g., hickory, etc.) and include a metal top cap (e.g., brass, etc.) having the letters U.S. thereon or therein (e.g., engraved, carved, cut, etc.). As another example, the letters U.S. may be integrally formed or carved directly into the wood or other material forming a walking stick. In addition, a walking stick may include cards (e.g., PVC tags on twine, string, rawhide rope, etc.) as shown in the first, second and third embodiments respectively illustrated in FIGS. 1, 10 and 11, which cards may include any suitable indicia, images, phrases, artwork, etc.

1 Claim, 5 Drawing Sheets



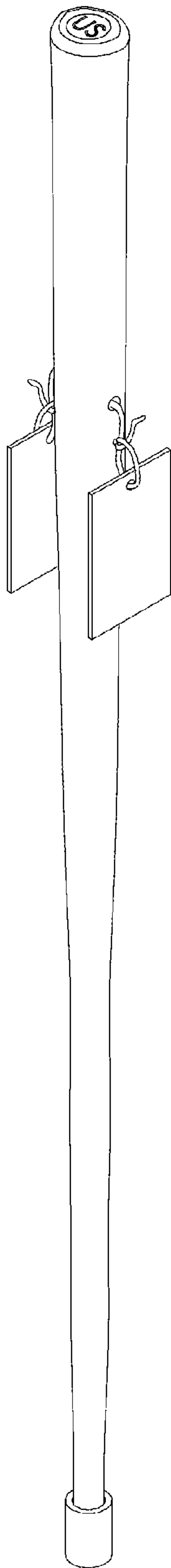


Fig. 1

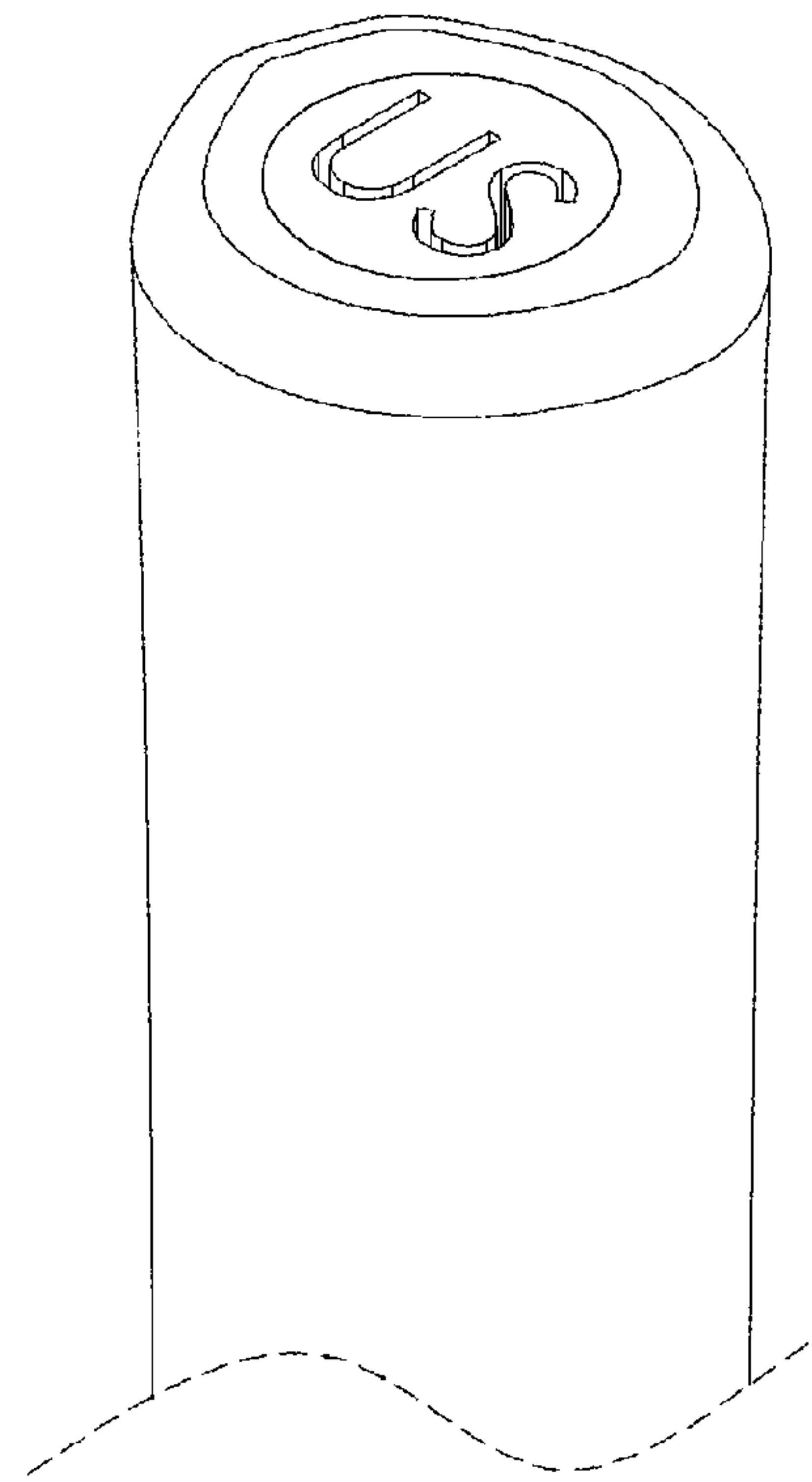


Fig. 2

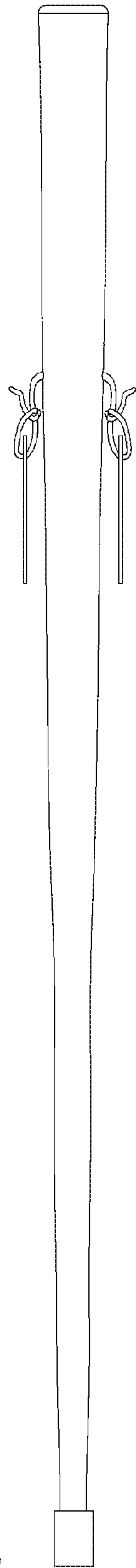


Fig. 3

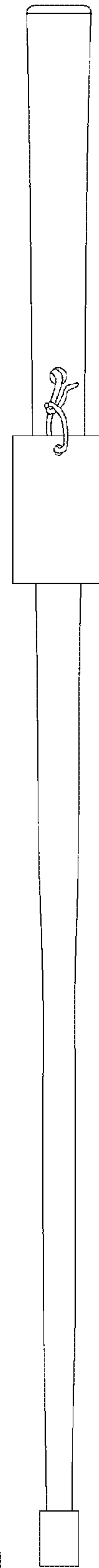


Fig. 4

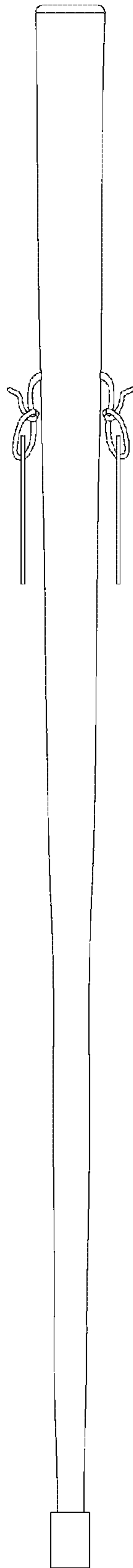


Fig. 5

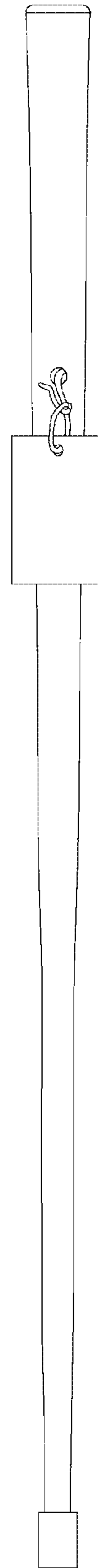


Fig. 6

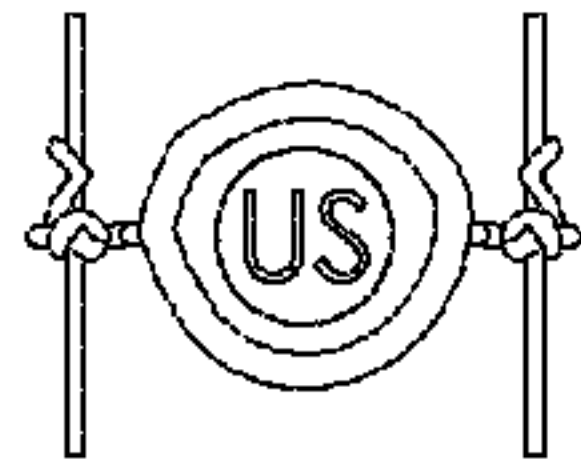


Fig. 7

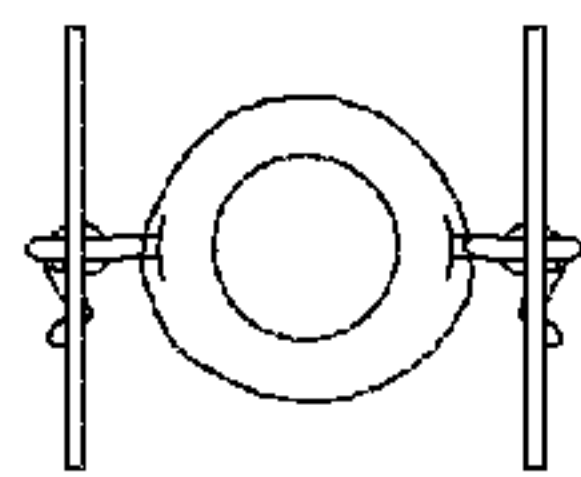


Fig. 8

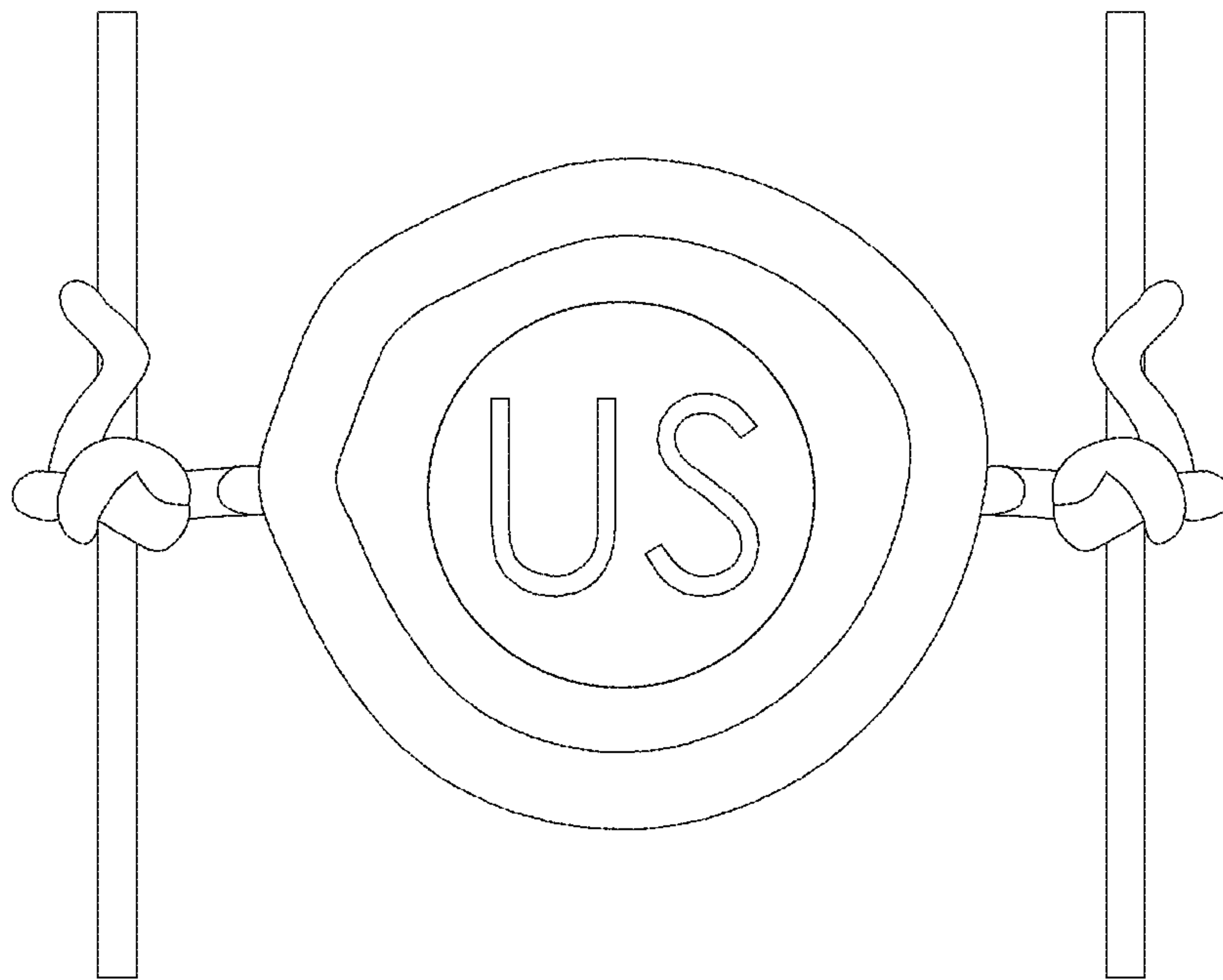


Fig. 9

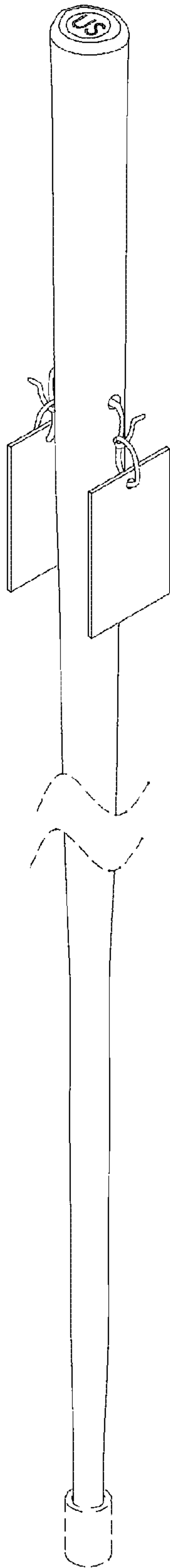


Fig. 10

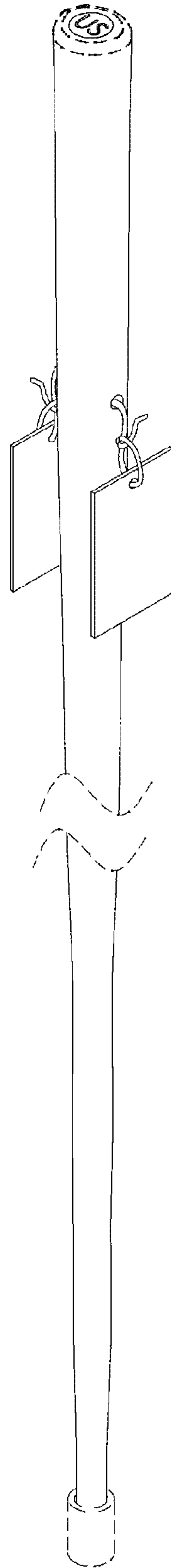


Fig. 11

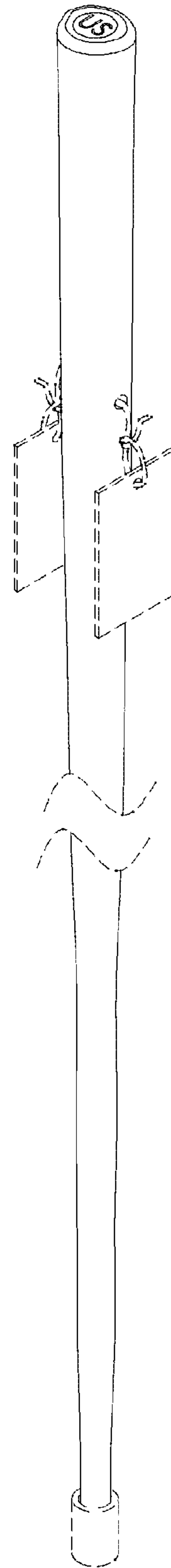


Fig. 12