

US00D693562S

(12) **United States Design Patent**
Akin et al.

(10) **Patent No.:** **US D693,562 S**

(45) **Date of Patent:** **** Nov. 19, 2013**

(54) **UMBRELLA WITH SOLAR PANELS**

(71) Applicant: **ZON**, Manhattan Beach, CA (US)

(72) Inventors: **Sarah Akin**, Manhattan Beach, CA (US); **David Johnson**, San Francisco, CA (US)

(73) Assignee: **ZON**, Manhattan Beach, CA (US)

(**) Term: **14 Years**

(21) Appl. No.: **29/461,661**

(22) Filed: **Jul. 26, 2013**

(51) **LOC (9) Cl.** **03-03**

(52) **U.S. Cl.**
USPC **D3/5; D3/10; D13/102**

(58) **Field of Classification Search**
USPC **D3/5, 10; 135/15.1, 33.2, 20.1**
See application file for complete search history.

6,830,058	B2	12/2004	Li	
6,923,058	B2	8/2005	Nieman et al.	
7,000,624	B2	2/2006	Chang	
7,013,903	B2	3/2006	Li	
D530,269	S *	10/2006	Fowler et al.	D13/102
D561,460	S *	2/2008	Peterson	D3/5
7,562,667	B2	7/2009	Li	
D600,200	S *	9/2009	Dimov et al.	D13/102
D668,443	S	10/2012	Sims, II	
8,360,079	B2	1/2013	Li	
D680,949	S *	4/2013	Swatek	D13/102
D681,548	S *	5/2013	Zhang et al.	D13/102
D688,621	S *	8/2013	Mozzardi et al.	D13/102

* cited by examiner

Primary Examiner — John Windmuller

(74) *Attorney, Agent, or Firm* — Aka Chan LLP

(57) **CLAIM**

The ornamental design for an umbrella with solar panels, as shown and described.

DESCRIPTION

FIG. 1 shows a perspective view of a first embodiment of a design for an umbrella with solar panels.

FIG. 2 shows a top view of FIG. 1.

FIG. 3 shows a side view of FIG. 1.

FIG. 4 shows a perspective view of a second embodiment of a design for an umbrella with solar panels.

FIG. 5 shows a top view of FIG. 4; and,

FIG. 6 shows a side view of FIG. 4.

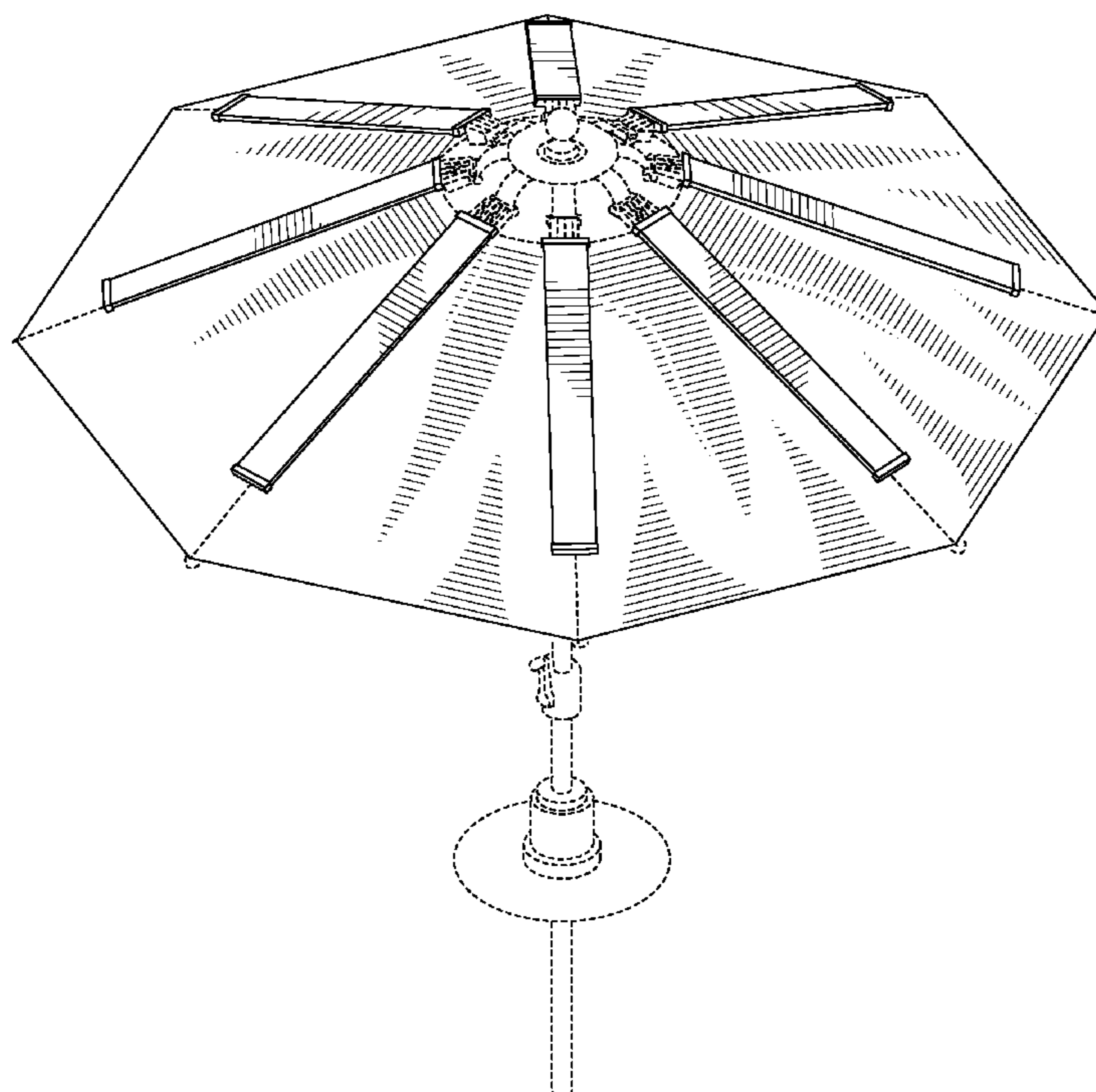
The broken lines in the figures depict portions of the umbrella with solar panels that form no part of the claimed design.

1 Claim, 6 Drawing Sheets

(56) **References Cited**

U.S. PATENT DOCUMENTS

1,397,789	A *	11/1921	Stonestreet	135/20.2
D151,655	S *	11/1948	Preaus	D3/5
D248,042	S *	5/1978	Ouelette	D13/102
4,193,389	A	3/1980	Ku	
4,527,721	A *	7/1985	Goldstein	224/577
D336,982	S *	7/1993	Johnson et al.	D3/5
D373,465	S *	9/1996	Chipman	D3/5
D373,467	S *	9/1996	Chipman	D3/5
D373,468	S *	9/1996	Dubinsky	D3/5
D396,741	S *	8/1998	Vitali et al.	D3/5
D443,409	S *	6/2001	Pilz et al.	D3/5



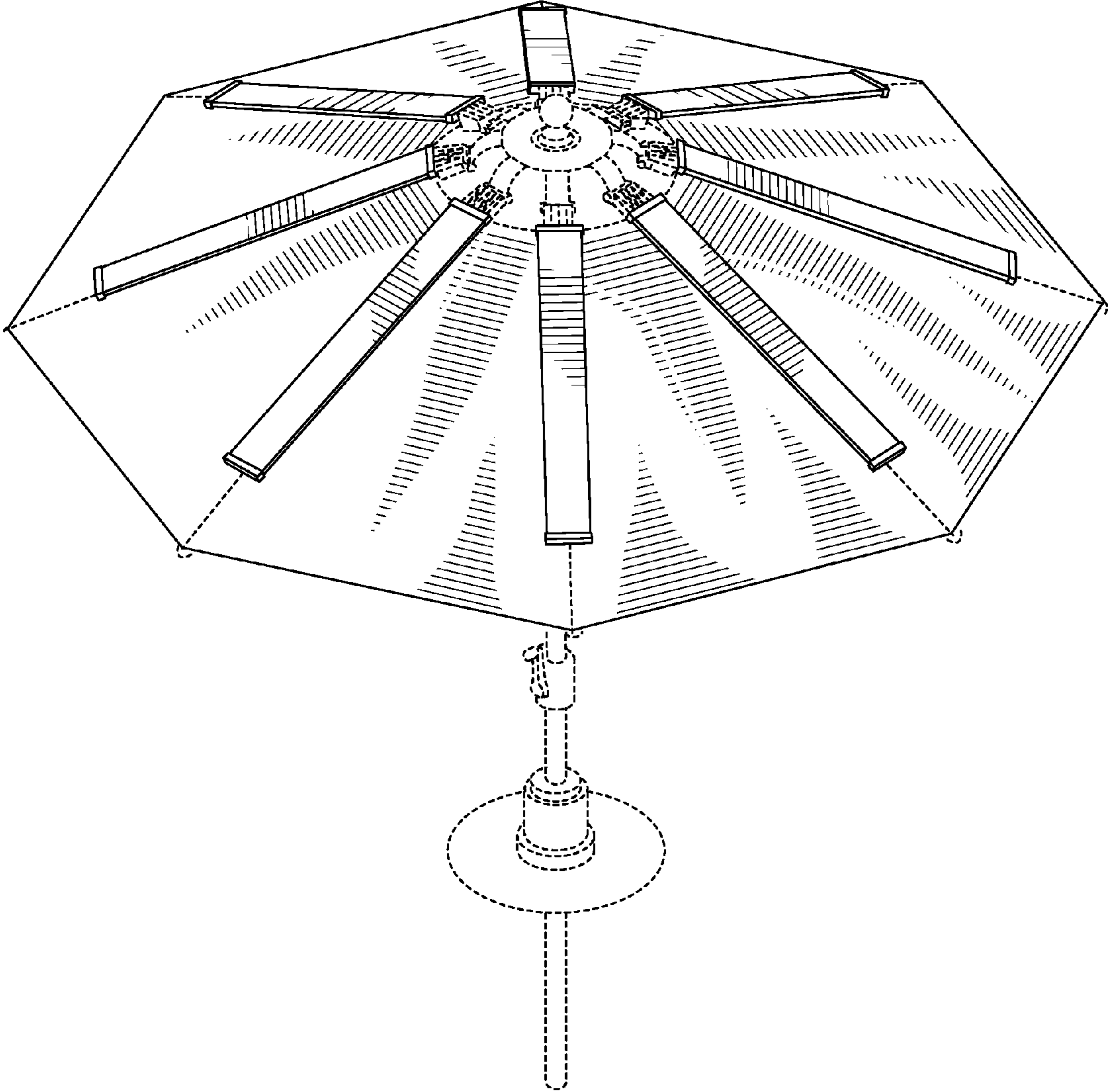


FIG. 1

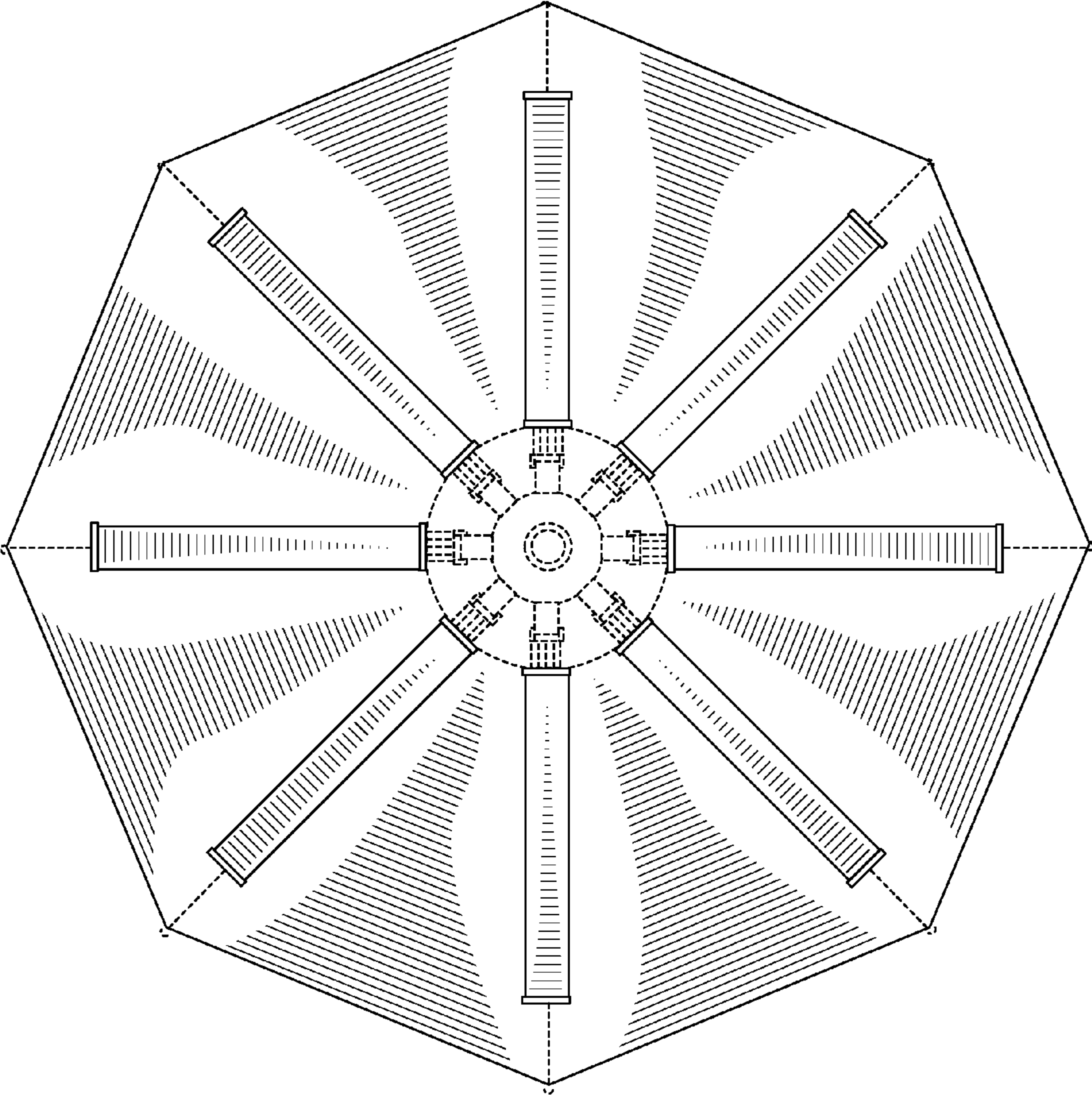


FIG. 2

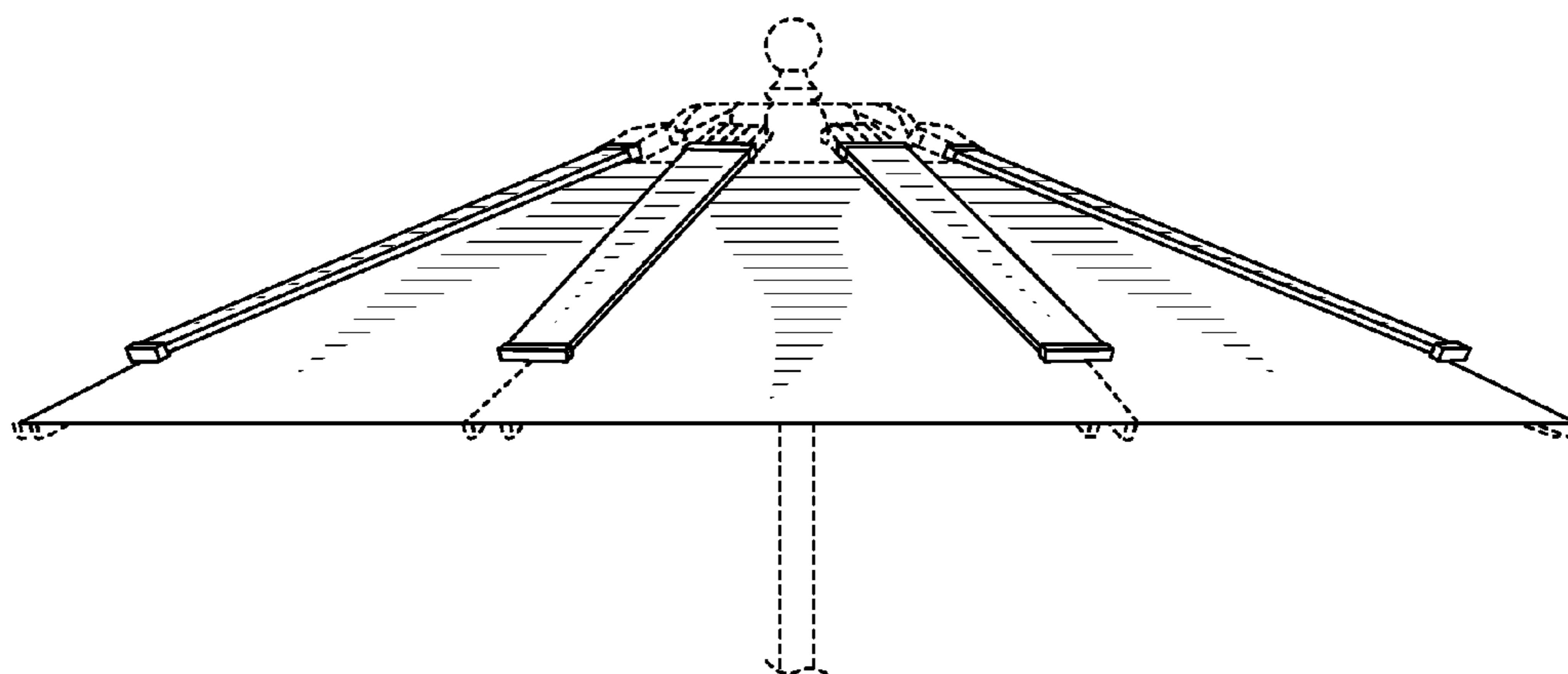


FIG. 3

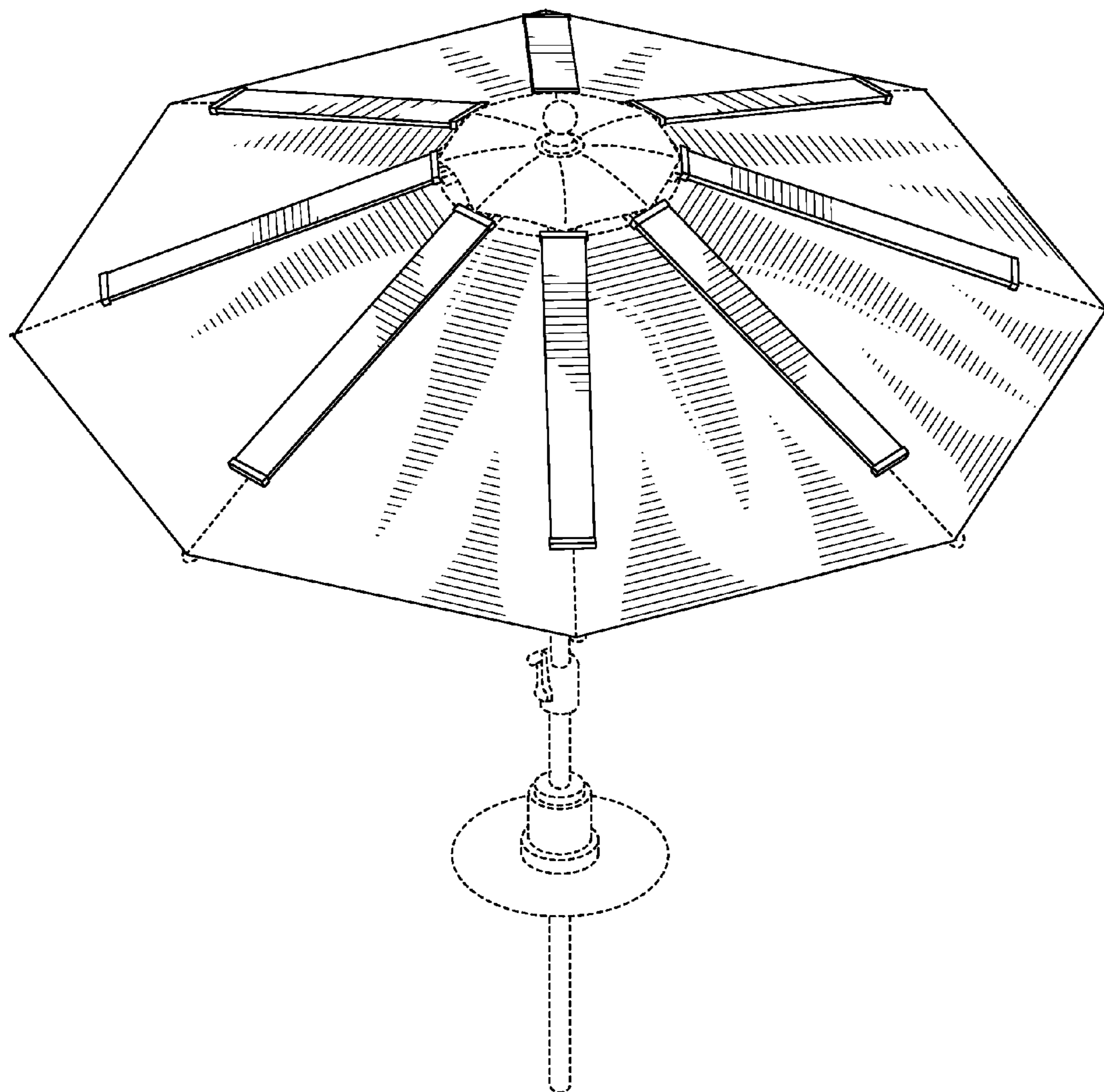


FIG. 4

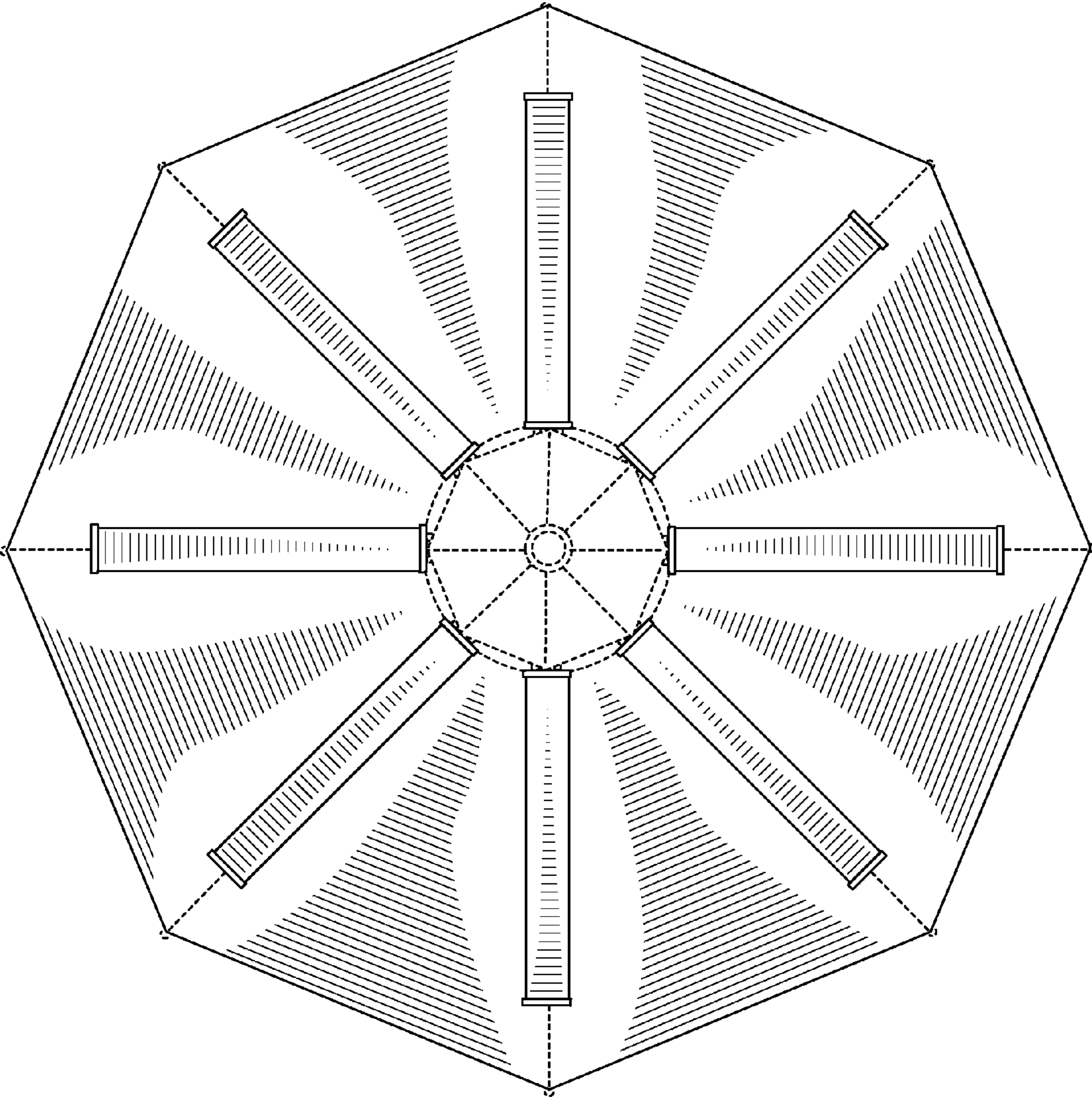


FIG. 5

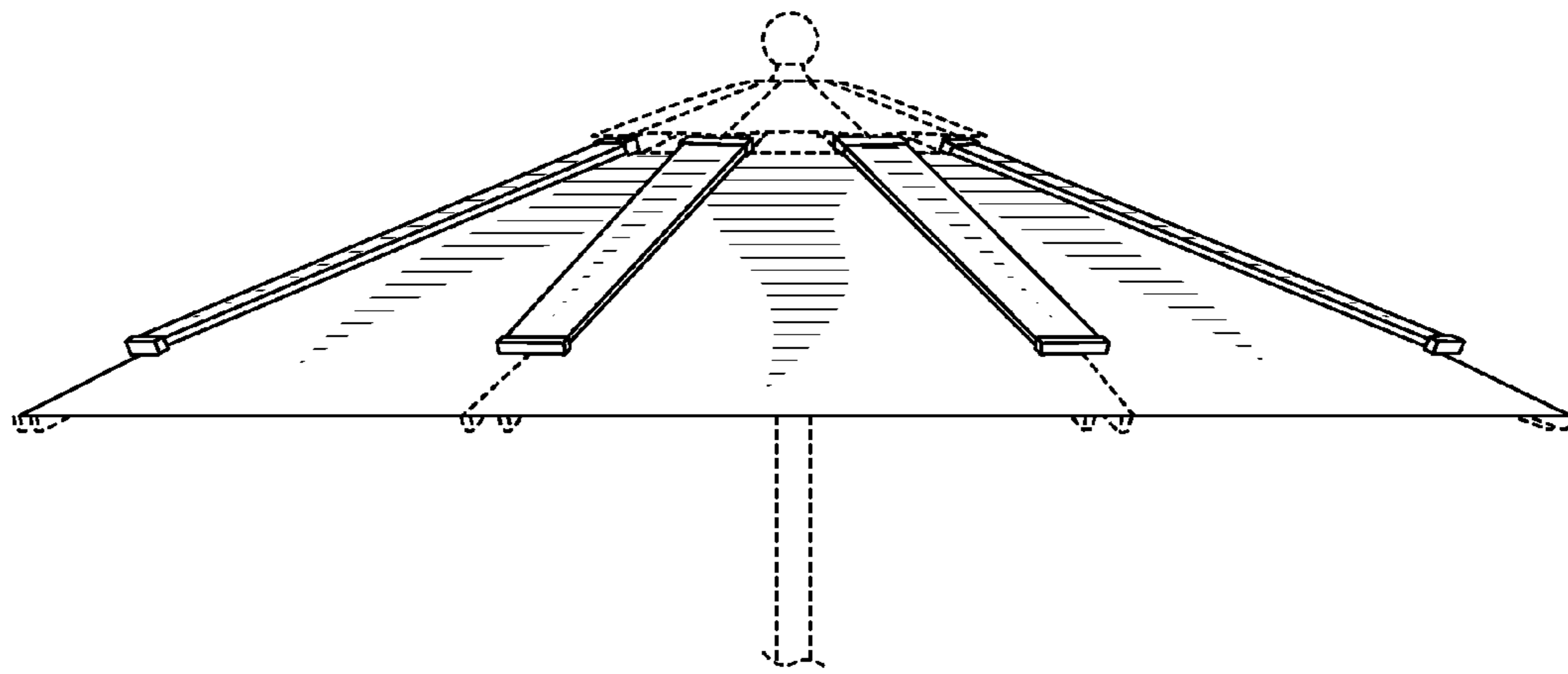


FIG. 6