



US00D693548S

(12) **United States Design Patent**
Yudelowitz

(10) **Patent No.:** **US D693,548 S**

(45) **Date of Patent:** **** Nov. 19, 2013**

- (54) **SOLE FOR A SHOE**
- (71) Applicant: **Sark, Ltd.**, Central (HK)
- (72) Inventor: **Saul Yudelowitz**, London (GB)
- (73) Assignee: **Sark, Ltd.**, Central (HK)
- (**) Term: **14 Years**
- (21) Appl. No.: **29/434,066**
- (22) Filed: **Oct. 9, 2012**

Related U.S. Application Data

- (63) Continuation of application No. 13/478,061, filed on May 22, 2012.
- (51) **LOC (9) Cl.** **02-04**
- (52) **U.S. Cl.**
USPC **D2/951**; D2/947; D2/960
- (58) **Field of Classification Search**
USPC D2/902, 906, 908, 916, 918, 925,
D2/946-962, 977; 36/3 B, 22 R, 24.5, 25 R,
36/28, 32 R, 34 R, 59 C, 67 A, 103
See application file for complete search history.

References Cited

U.S. PATENT DOCUMENTS

146,992 A *	2/1874	Coty	36/22 R
D35,569 S *	1/1902	Bushy	D2/947
1,603,624 A *	10/1926	Miner	36/18
1,989,080 A *	1/1935	Cavanagh	12/142 F
2,083,659 A *	6/1937	Nutt	36/169
2,648,855 A *	8/1953	Midgley et al.	12/146 B
2,658,288 A *	11/1953	Schöll	36/44
2,911,973 A *	11/1959	Chieffo	604/293
4,074,446 A *	2/1978	Eisenberg	36/117.5
4,259,792 A *	4/1981	Halberstadt	36/28
D311,989 S *	11/1990	Parker et al.	D2/947
D328,967 S *	9/1992	Brown	D2/961
D337,651 S *	7/1993	Kilbey	D24/171
D341,021 S *	11/1993	Brown	D2/961
5,572,805 A *	11/1996	Giese et al.	36/30 R
5,579,591 A	12/1996	Kousaka et al.	
5,586,398 A	12/1996	Carlson	

5,592,757 A	1/1997	Jackinsky	
5,752,330 A	5/1998	Snabb	
D418,666 S *	1/2000	Brown	D2/961
D428,689 S *	8/2000	Guiotto et al.	D2/961
6,158,151 A	12/2000	Won	
D474,589 S *	5/2003	Dykes	D2/961
6,782,639 B1	8/2004	Müller	
6,785,984 B2	9/2004	Jackinsky	
D498,902 S *	11/2004	Adams	D2/951
D513,841 S *	1/2006	Corbi Rico	D2/956
7,243,443 B2 *	7/2007	Swigart	36/28
D555,341 S *	11/2007	Vasyli et al.	D2/961
D557,887 S *	12/2007	Kaiser	D2/960
D661,076 S *	6/2012	Appel et al.	D2/961
D665,156 S *	8/2012	Smith	D2/961
D670,483 S *	11/2012	Campbell	D2/951
D671,301 S *	11/2012	Dombrow	D2/951
D674,586 S *	1/2013	Baker et al.	D2/961
2006/0254093 A1	11/2006	Fuchslocher et al.	
2010/0083535 A1	4/2010	Meschter et al.	

FOREIGN PATENT DOCUMENTS

EP	0386770 A1	9/1990
JP	05-277001 A	10/1993
JP	2004-242988 A	9/2004
JP	2005-160560 A	6/2005

OTHER PUBLICATIONS

- EP 0386770-A1 English Abstract.
- JP 05-277001-A (machine translated English translation).
- JP 2004-242988-A (machine translated English translation).
- JP 2005-160560-A (machine translated English translation).

* cited by examiner

Primary Examiner — T. Chase Nelson
(74) *Attorney, Agent, or Firm* — O'Brien Jones PLLC

(57) **CLAIM**
The ornamental design for a sole for a shoe, as shown and described.

DESCRIPTION

FIG. 1 is a perspective view of a bottom and a lateral edge of a first embodiment showing a left sole for a shoe of my new design. A second embodiment would be a right sole for a shoe, which would be a mirror image of the views herein. FIG. 2 is a perspective view of the bottom and a medial edge of the left sole of FIG. 1. In a right sole for a shoe, this view would be a mirror image.

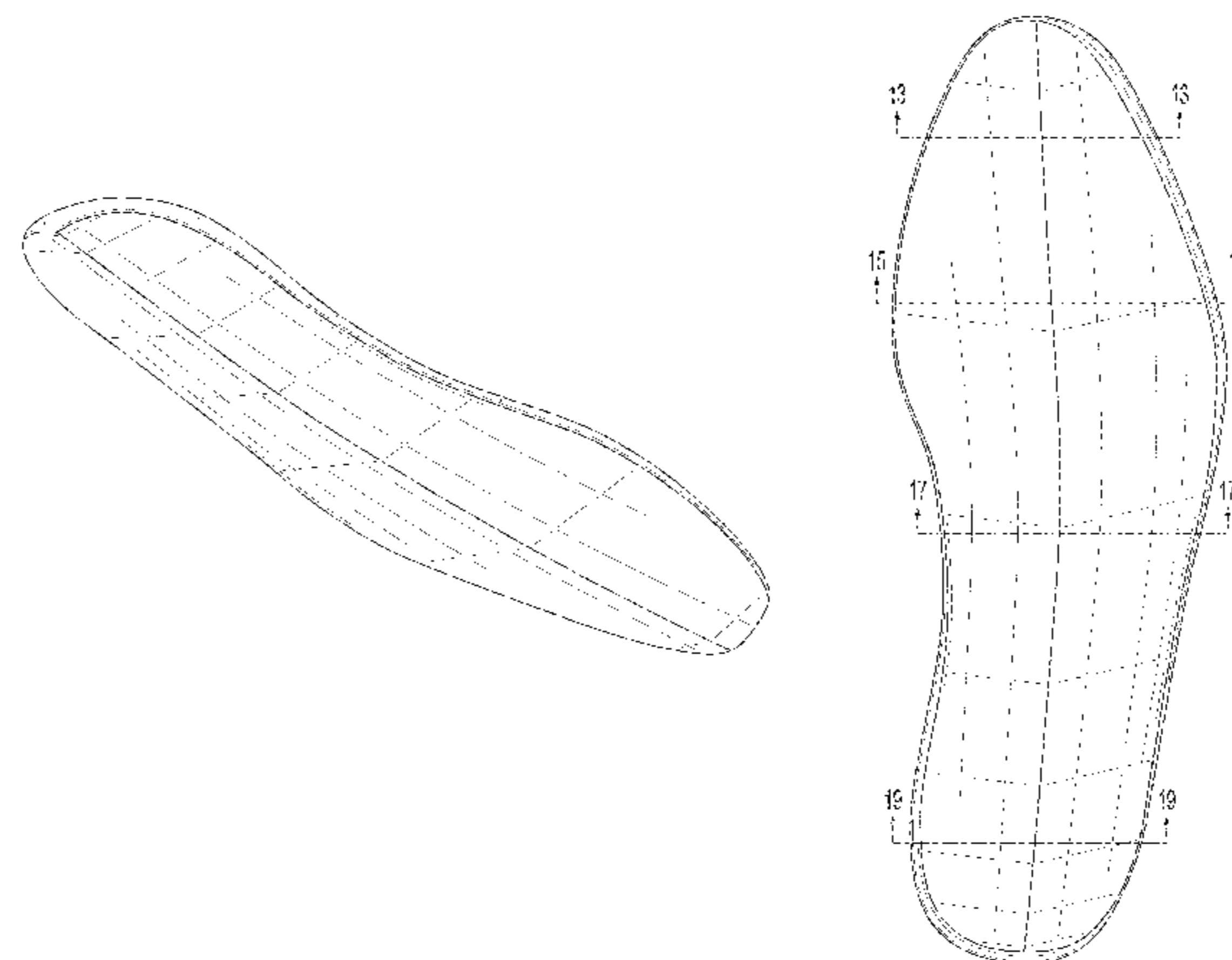


FIG. 3 is a perspective view of the lateral edge and a top of the sole of FIG. 1. In a right sole for a shoe, this view would be a mirror image.

FIG. 4 is a perspective view of the medial edge and the top of the sole of FIG. 1. In a right sole for a shoe, this view would be a mirror image.

FIG. 5 is a top view of the sole of FIG. 1. In a right sole for a shoe, this view would be a mirror image.

FIG. 6 is a bottom view of the sole of FIG. 1. In a right sole for a shoe, this view would be a mirror image.

FIG. 7 is a side view of the lateral side of the sole of FIG. 1, with the sole extending front to rear (left to right) in the drawing. In a right sole for a shoe, this view would be a mirror image.

FIG. 8 is a side view of the medial side of the sole of FIG. 1, with the sole extending rear to front (left to right) in the drawing. In a right sole for a shoe, this view would be a mirror image.

FIG. 9 is a front view of the left sole of FIG. 1. In a right sole for a shoe, this view would be a mirror image.

FIG. 10 is a rear view of the left sole of FIG. 1. In a right sole for a shoe, this view would be a mirror image.

FIG. 11 is a perspective view of the bottom of the left sole of FIG. 1. In a right sole for a shoe, this view would be a mirror image.

FIG. 12 is a partial perspective cross-sectional view taken across the toe of the left sole of FIG. 11 at line 12-12. In a right sole for a shoe, this view would be a mirror image.

FIG. 13 is a plan cross-sectional view taken across the toe of the left sole of FIG. 6 at line 13-13. In a right sole for a shoe, this view would be a mirror image.

FIG. 14 is a partial perspective cross-sectional view taken across the forefoot of the left sole of FIG. 11 at line 14-14. In a right sole for a shoe, this view would be a mirror image.

FIG. 15 is a plan cross-sectional view taken across the forefoot of the left sole of FIG. 6 at line 15-15. In a right sole for a shoe, this view would be a mirror image.

FIG. 16 is a partial perspective cross-sectional view taken across the midfoot of the left sole of FIG. 11 at line 16-16. In a right sole for a shoe, this view would be a mirror image.

FIG. 17 is a plan cross-sectional view taken across the midfoot of the left sole of FIG. 6 at line 17-17. In a right sole for a shoe, this view would be a mirror image.

FIG. 18 is a partial perspective cross-sectional view taken across the heel of the left sole of FIG. 11 at line 18-18. In a right sole for a shoe, this view would be a mirror image; and,

FIG. 19 is a plan taken across the heel of the left sole of FIG. 6 at line 19-19. In a right sole for a shoe, this view would be a mirror image.

The portions of the figures depicted in broken lines are not part of the claimed design.

1 Claim, 11 Drawing Sheets

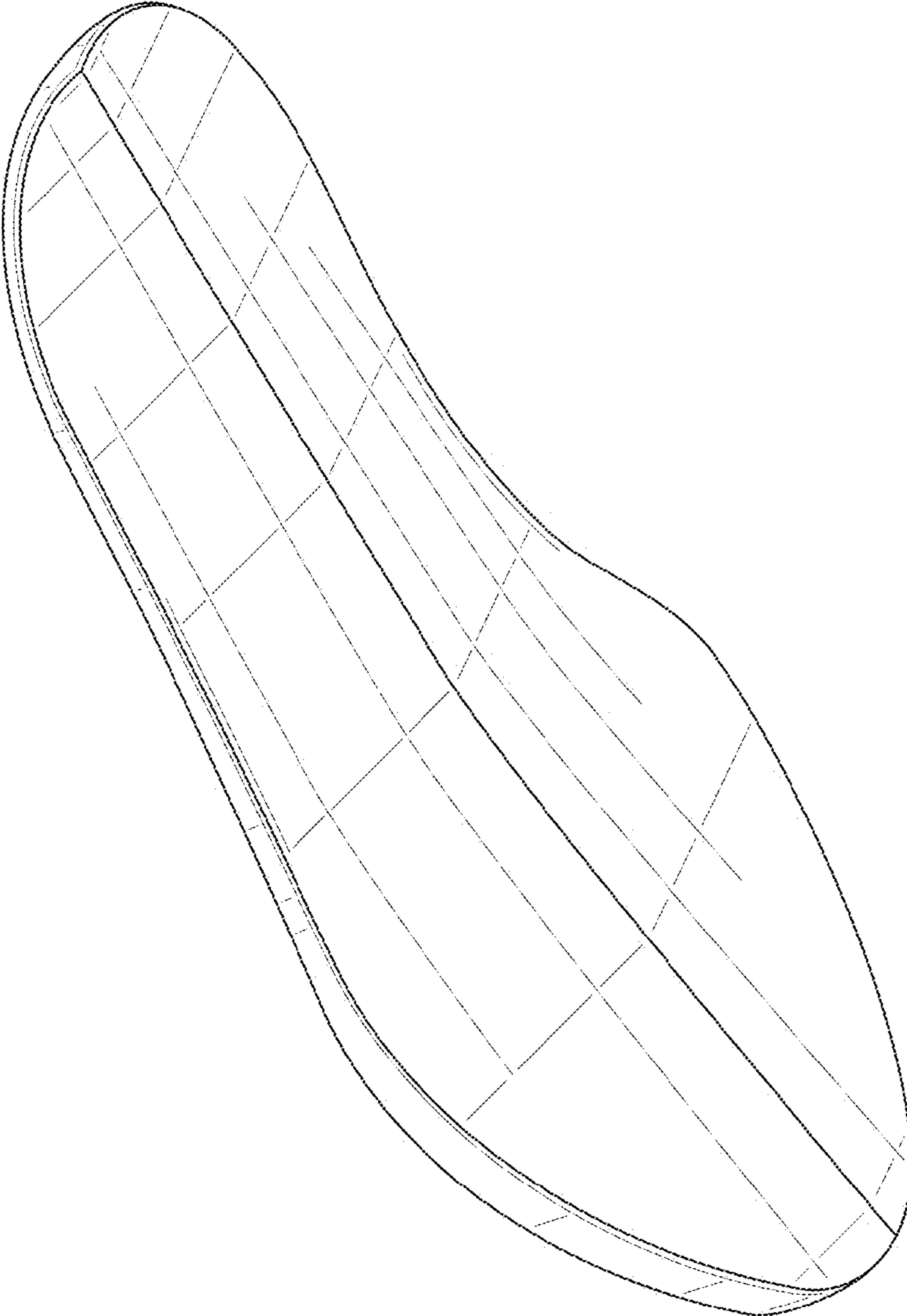


FIG. 1

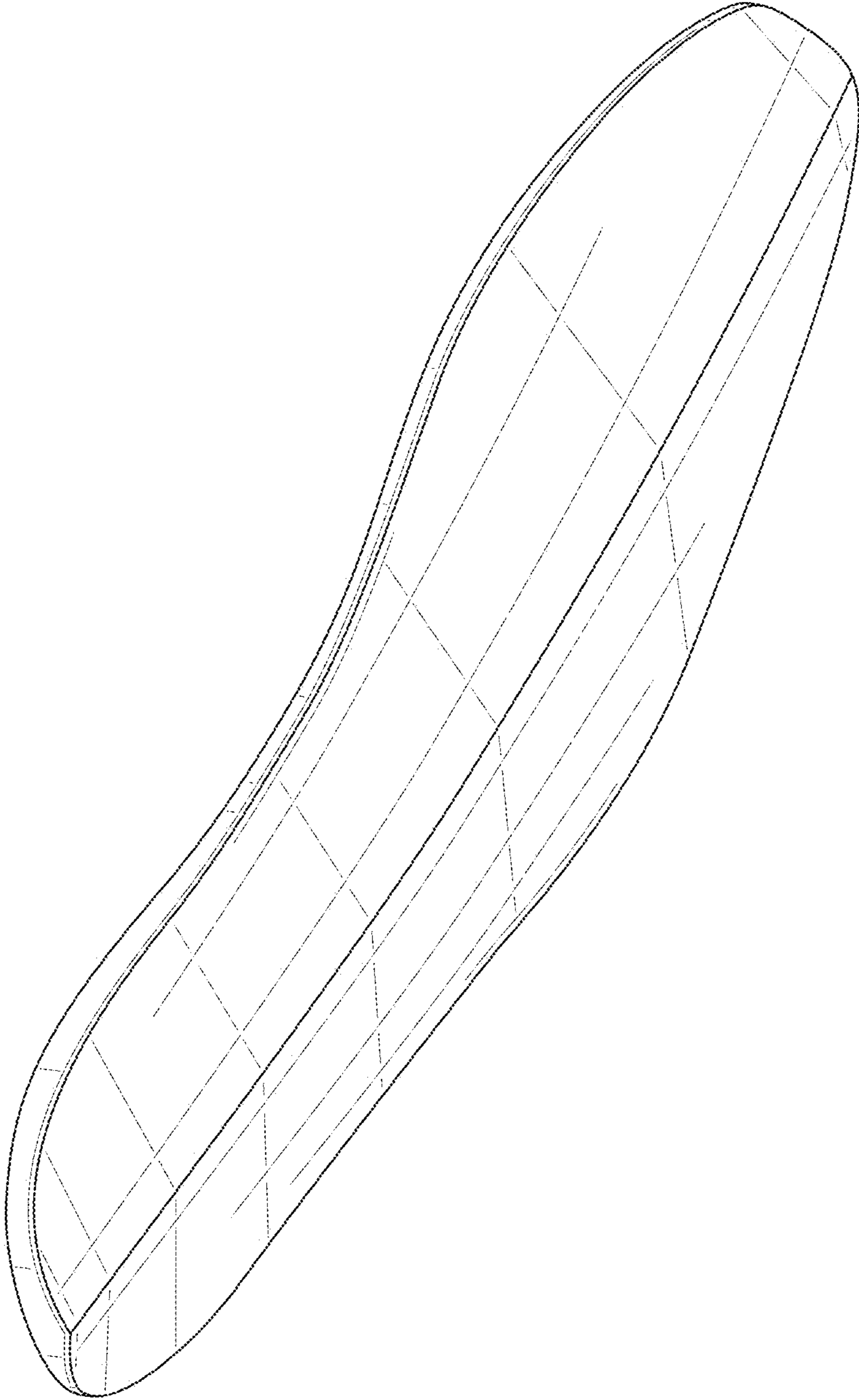


FIG. 2

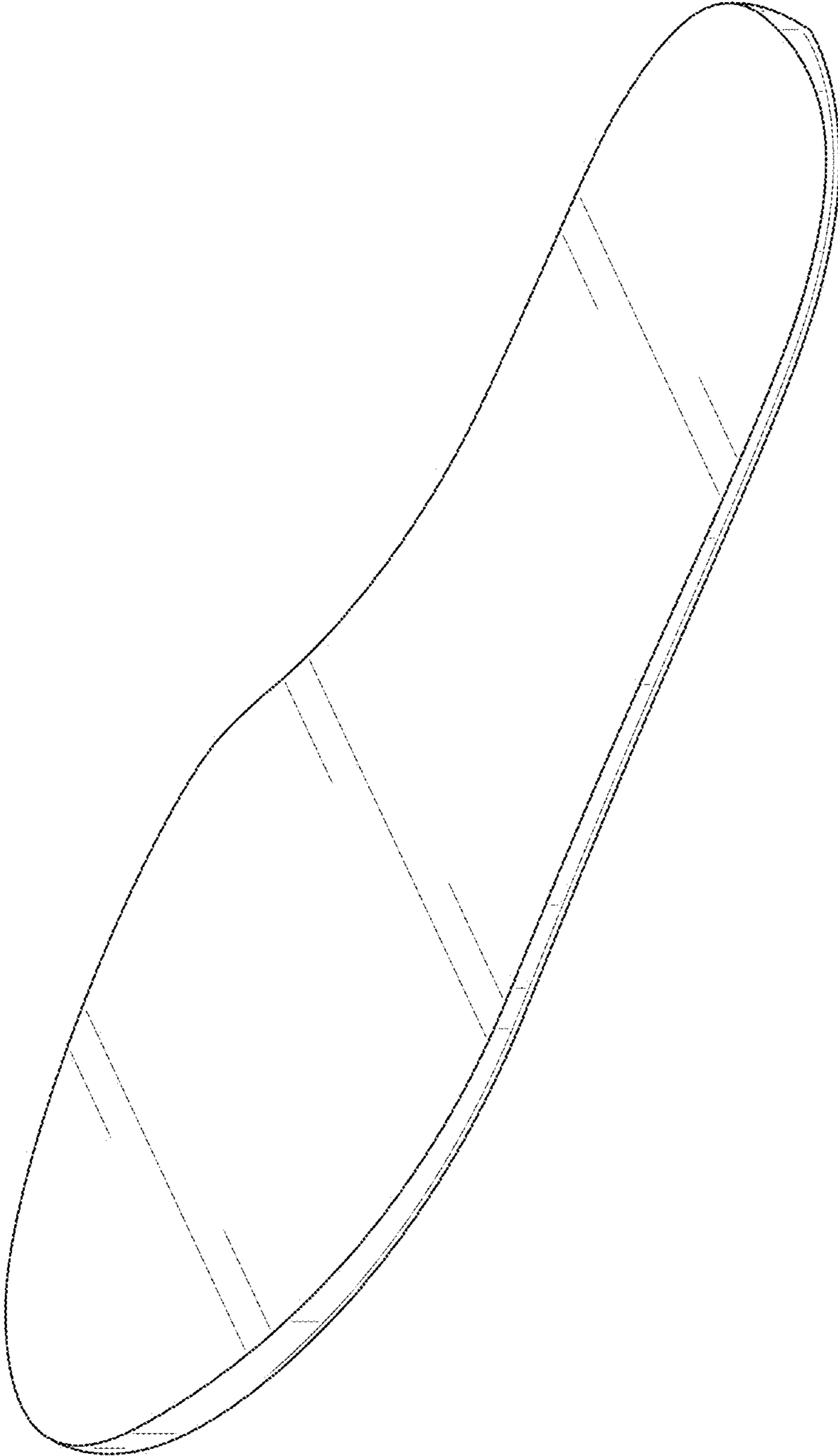


FIG. 3

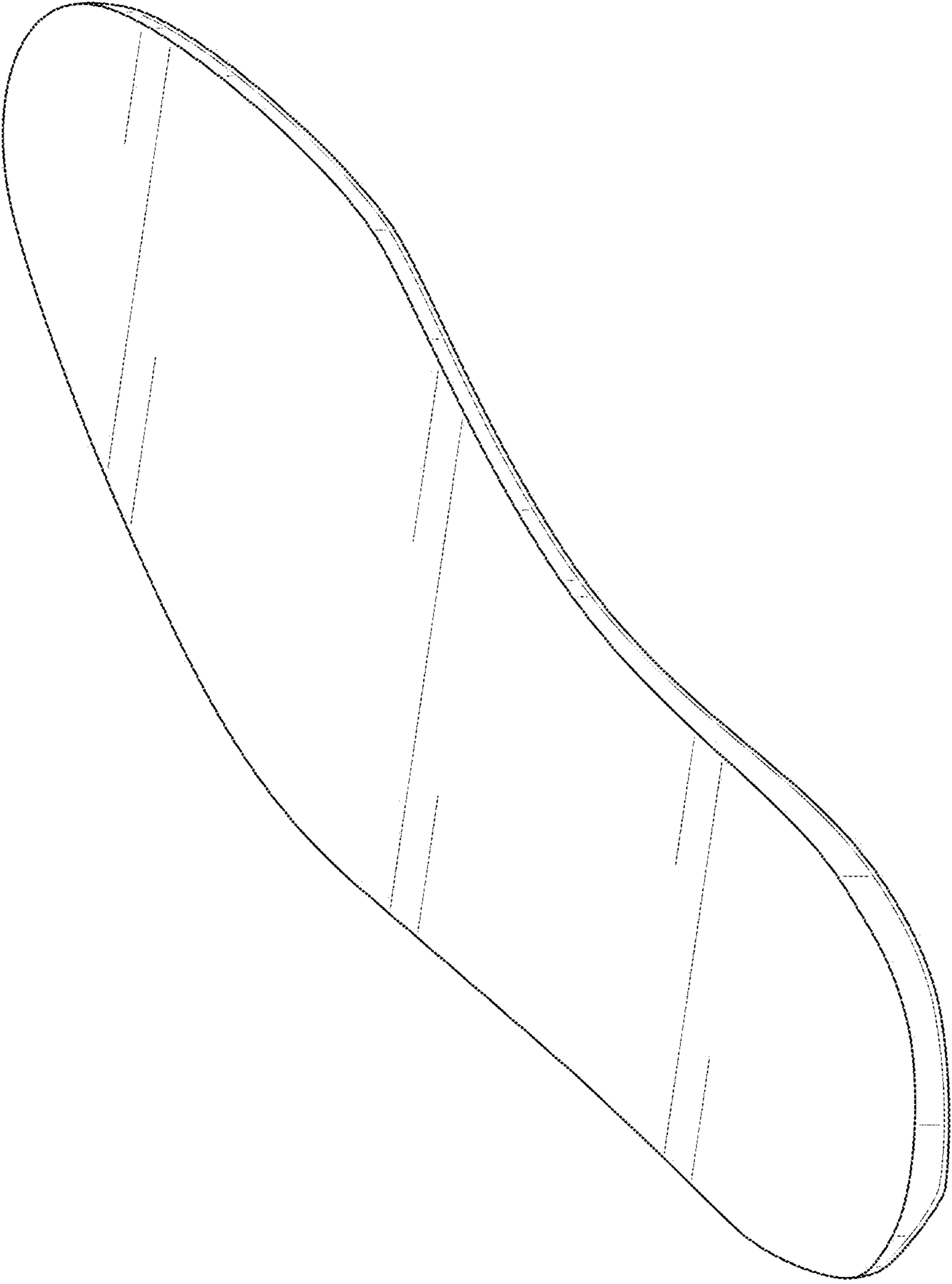


FIG. 4

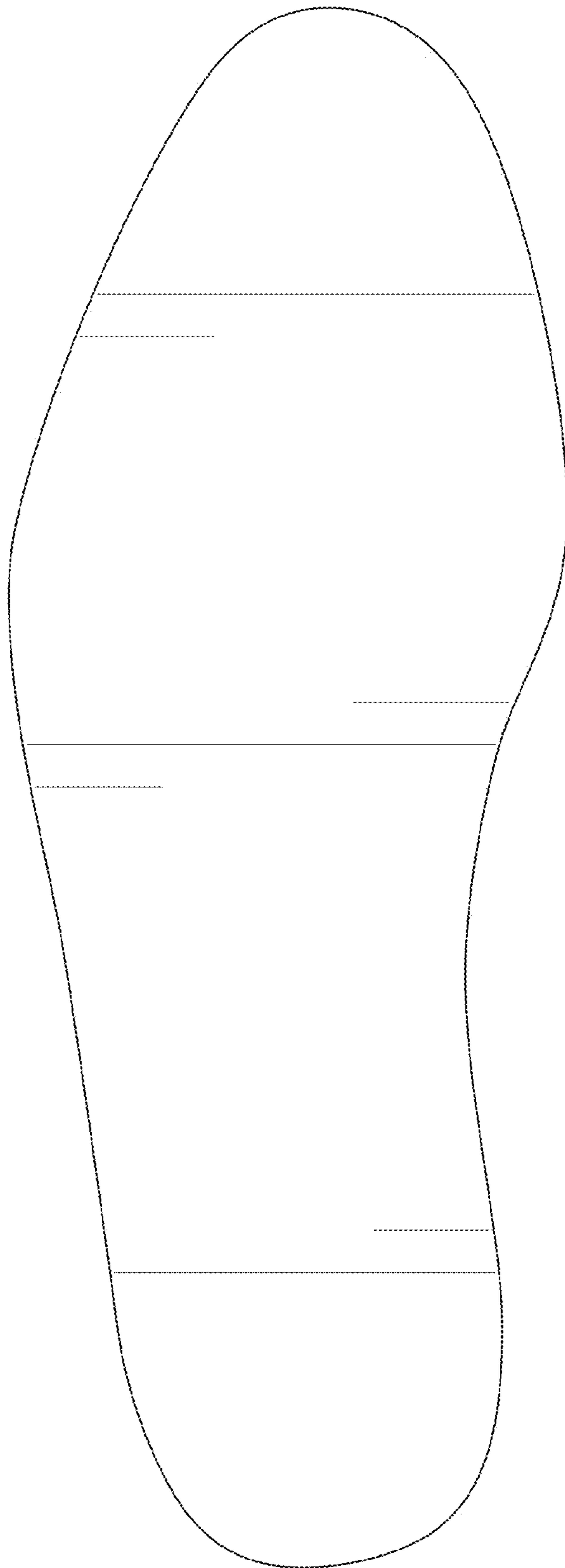


FIG. 5

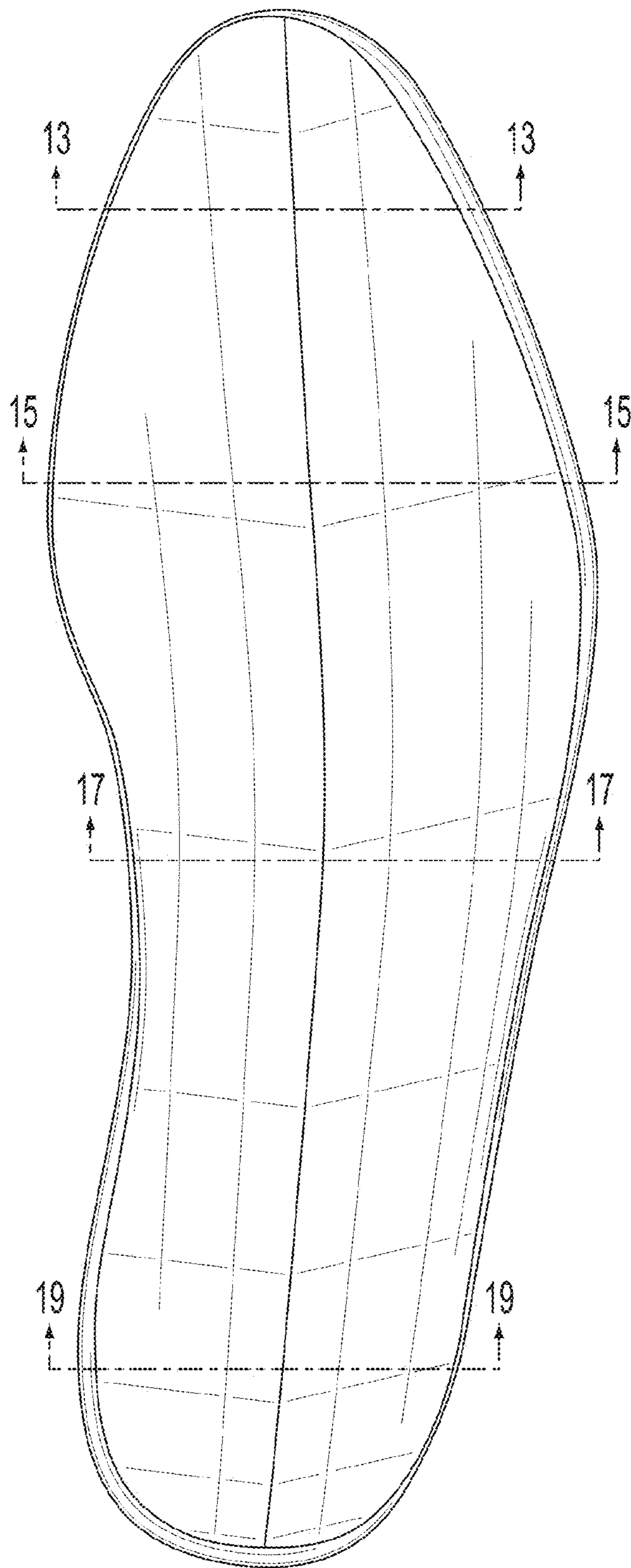


FIG. 6

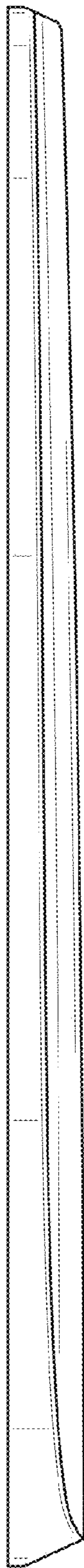


FIG. 7

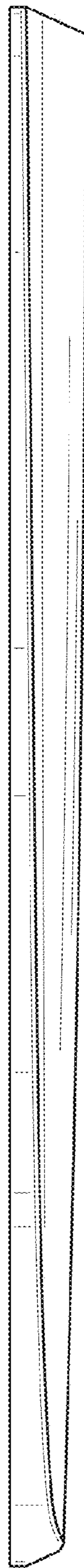


FIG. 8

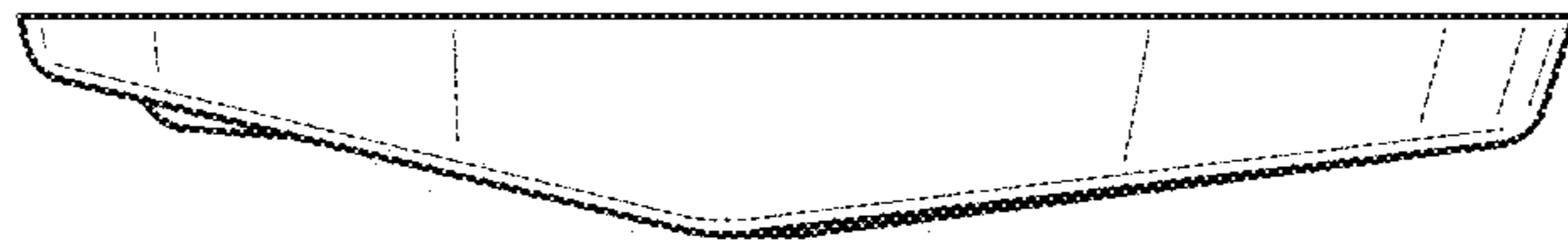


FIG. 9

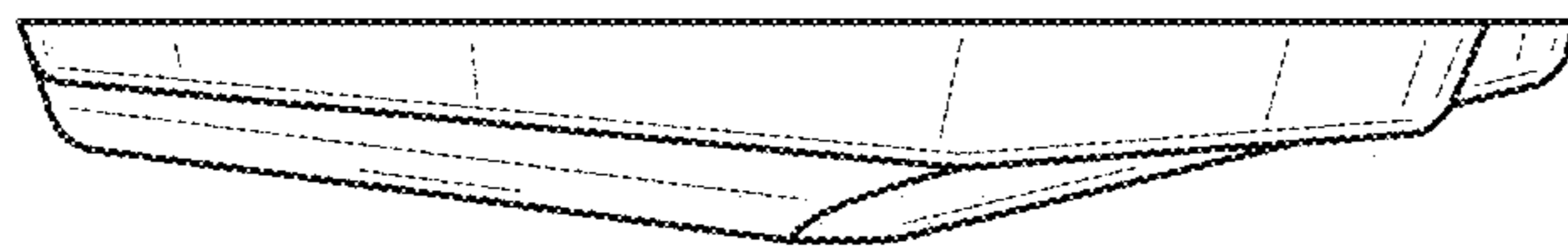


FIG. 10

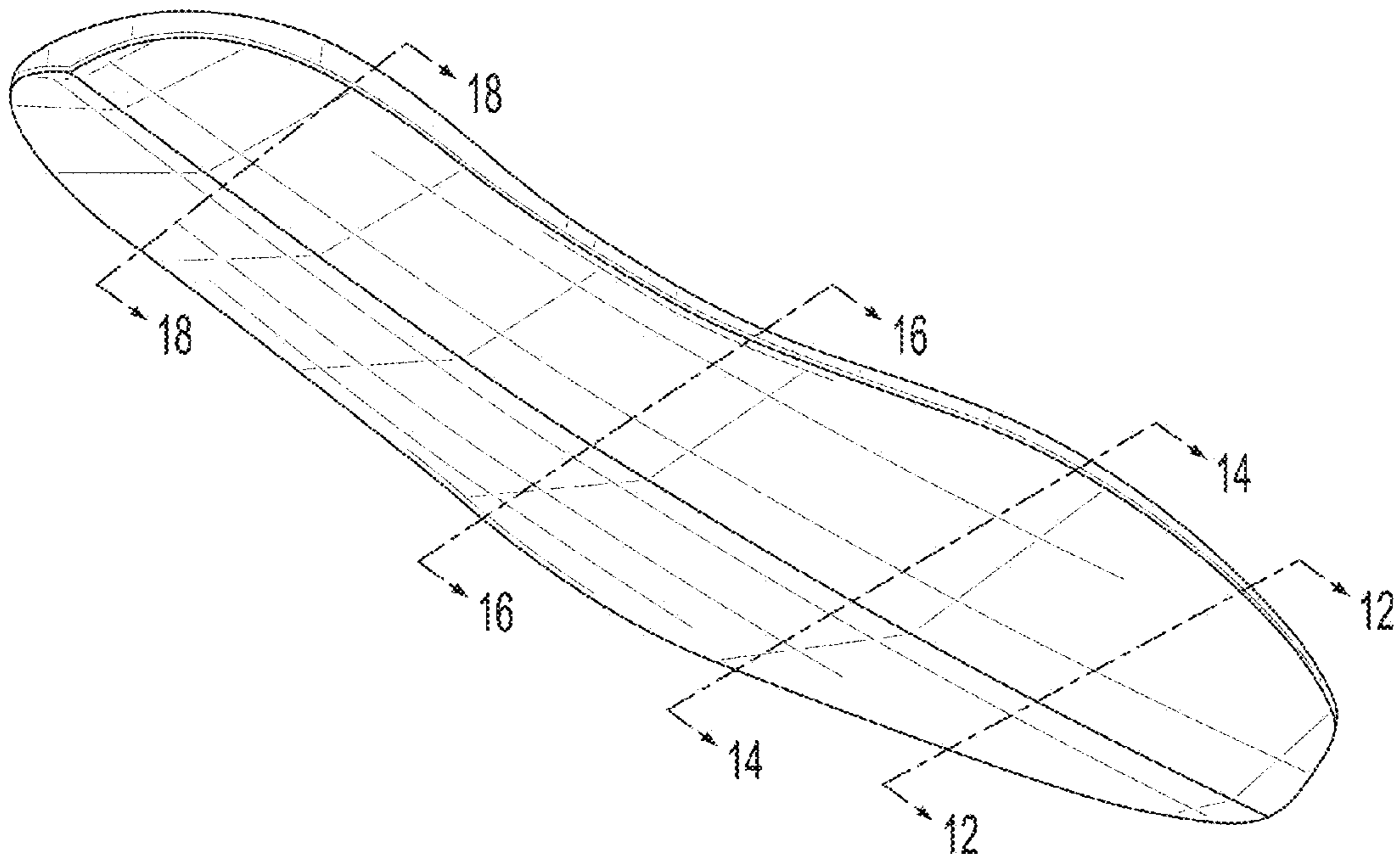


FIG. 11

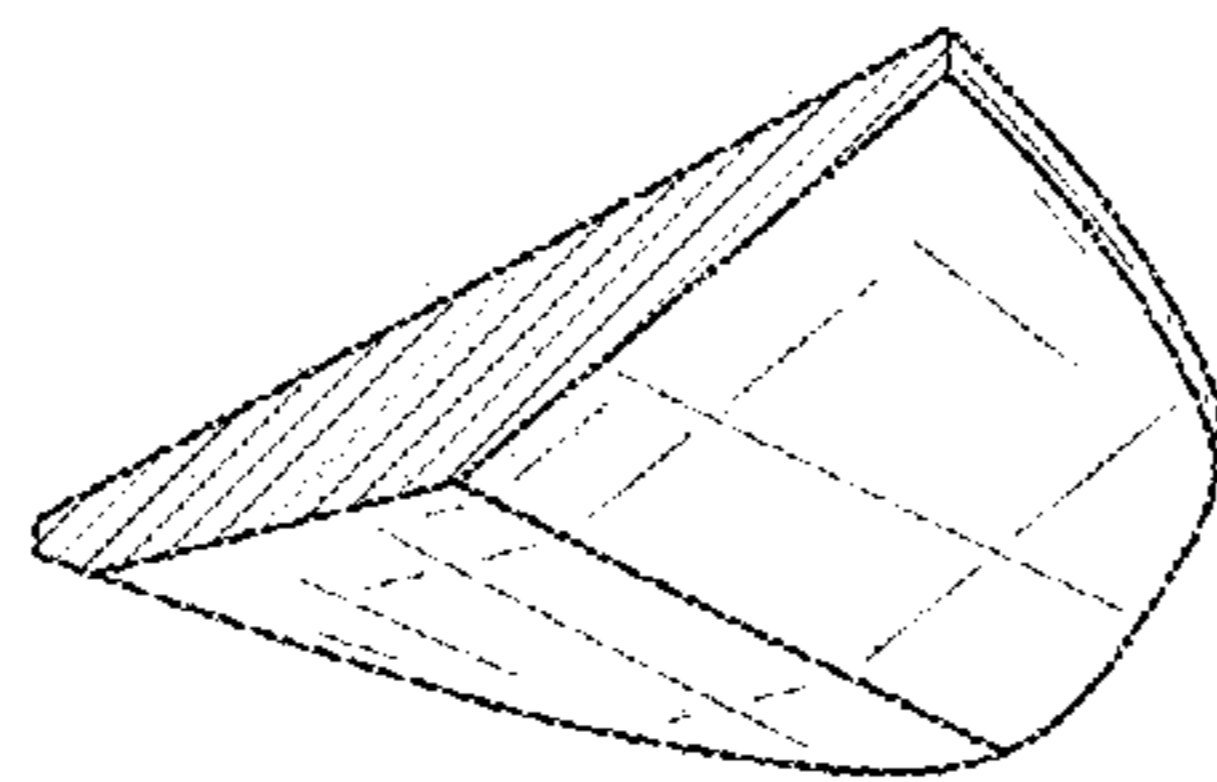


FIG. 12



FIG. 13

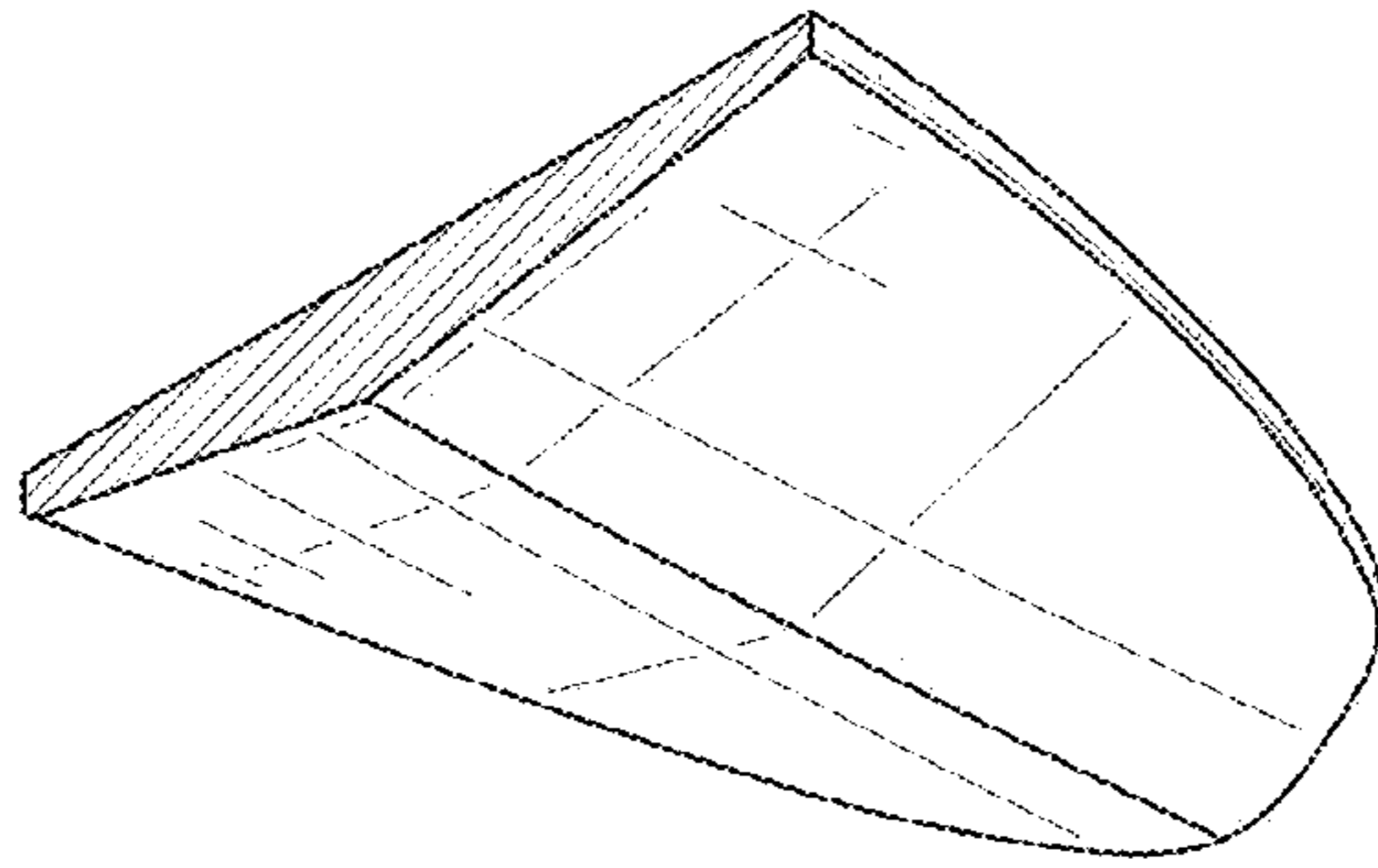


FIG. 14

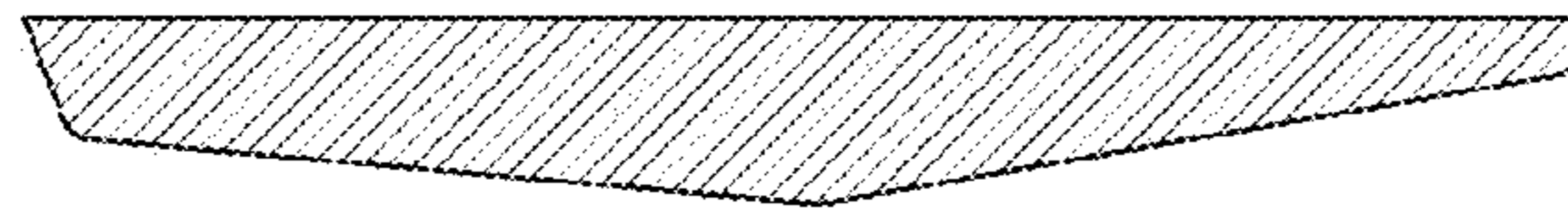


FIG. 15

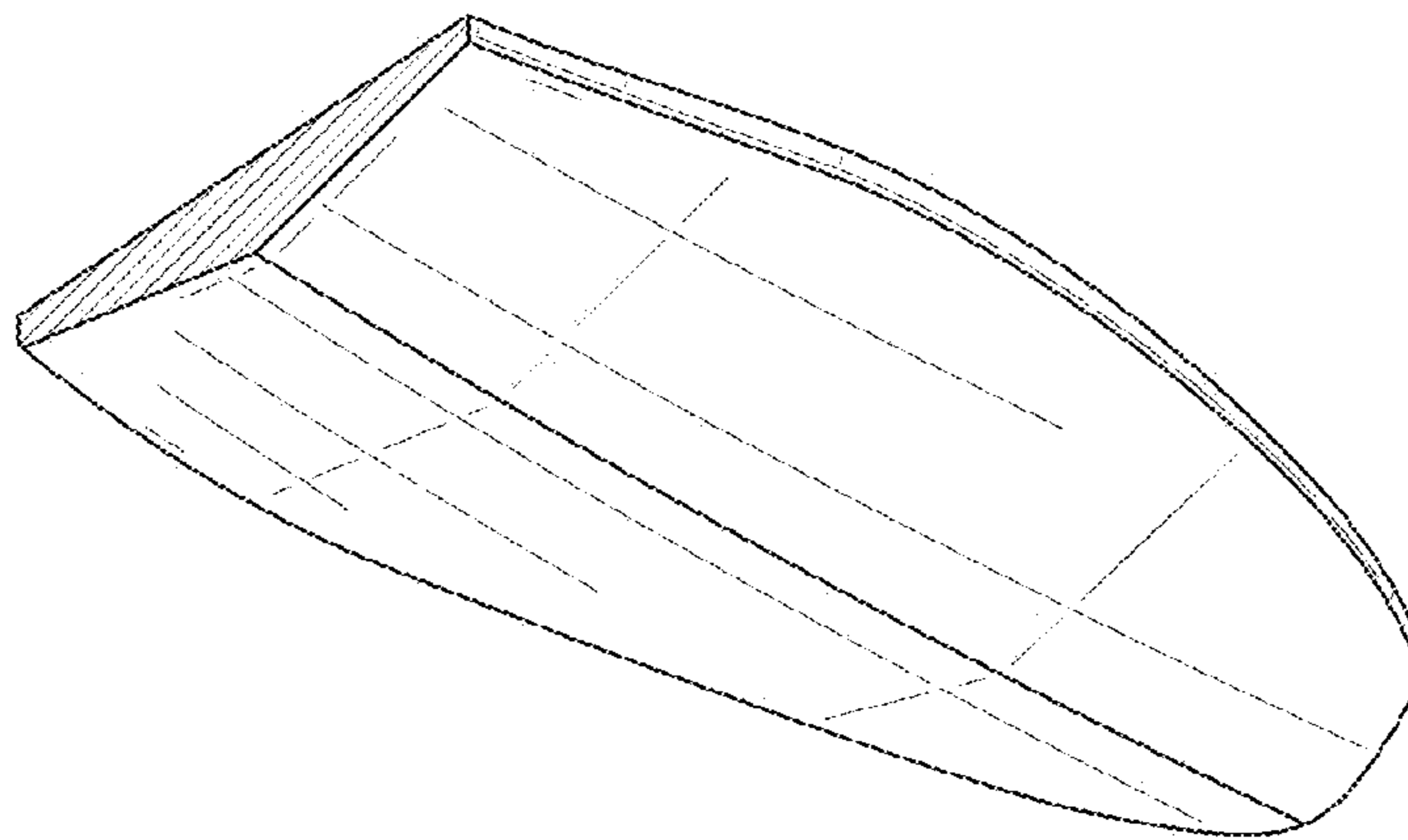


FIG. 16



FIG. 17

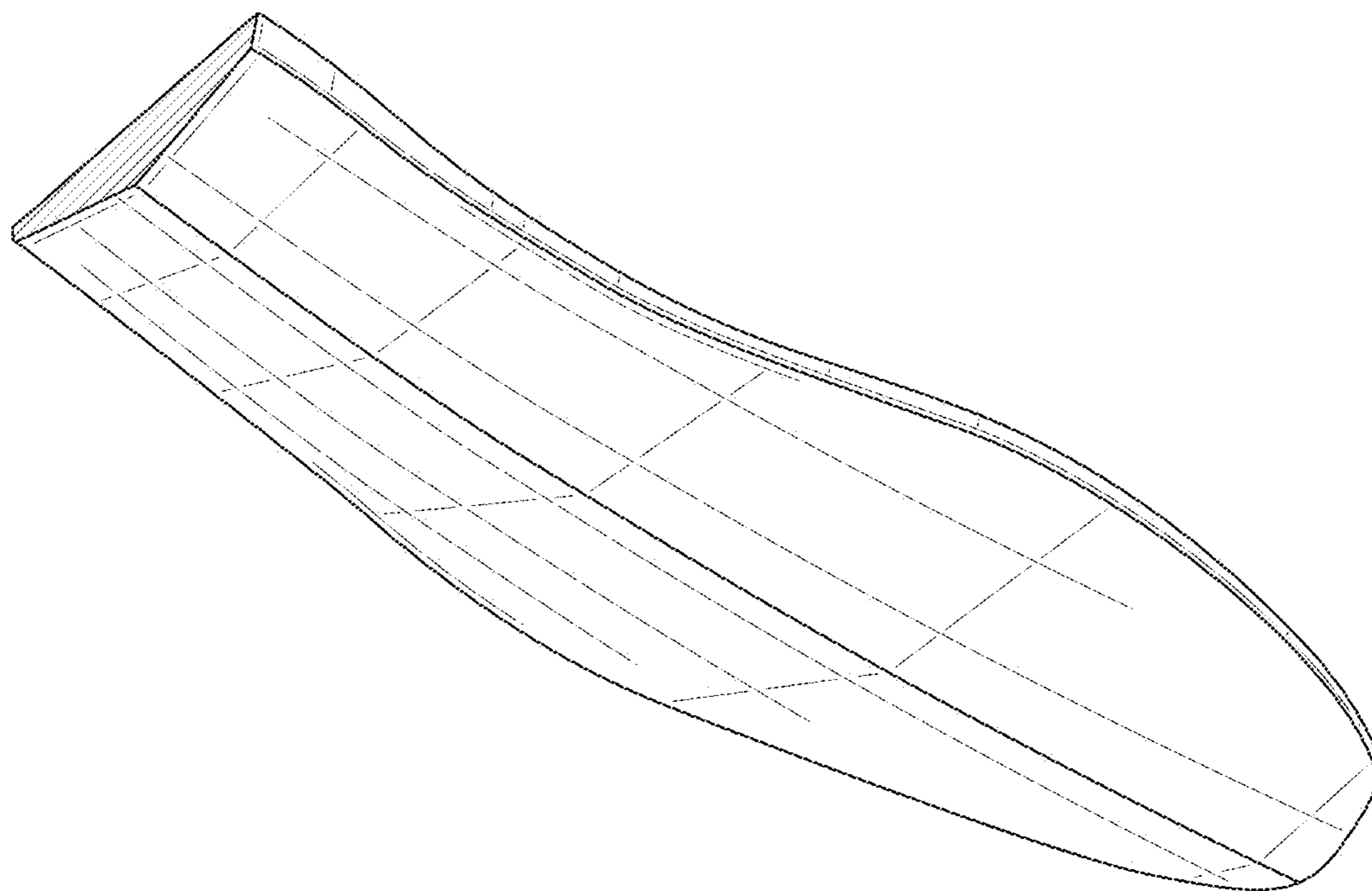


FIG. 18



FIG. 19