

US00D693544S

(12) **United States Design Patent**
Parker

(10) **Patent No.:** **US D693,544 S**

(45) **Date of Patent:** **** Nov. 19, 2013**

(54) **HAT WITH A CURLED BILL**

(71) Applicant: **Mary Allen Parker**, Virginia Beach, VA
(US)

(72) Inventor: **Mary Allen Parker**, Virginia Beach, VA
(US)

(**) Term: **14 Years**

(21) Appl. No.: **29/439,811**

(22) Filed: **Dec. 14, 2012**

Related U.S. Application Data

(62) Division of application No. 29/413,051, filed on Feb. 10, 2012, now Pat. No. Des. 675,404.

(51) **LOC (9) Cl.** **02-03**

(52) **U.S. Cl.**
USPC **D2/893**

(58) **Field of Classification Search**
USPC D2/865, 866, 875, 876, 877, 878, 879,
D2/880, 881, 882, 891, 893; D29/102,
D29/103, 104, 105, 106, 107, 108, 109,
D29/110; 2/12, 171, 183, 175.1, 175.2,
2/195.1, 195.2, 195.3, 195.4, 195.5,
2/195.6, 200.1, 209.12, 209.13, 209.3,
2/209.7

See application file for complete search history.

(56) **References Cited**

U.S. PATENT DOCUMENTS

D39,793	S	*	1/1909	Metzger	D2/888
D108,300	S	*	2/1938	Rainess	D2/886
D267,363	S	*	12/1982	Wilson et al.	D2/884
D299,380	S	*	1/1989	Wang	D2/894
5,325,540	A	*	7/1994	Kronenberger	2/209.3
D367,158	S	*	2/1996	Baker	D2/882
5,615,415	A	*	4/1997	Beckerman	2/195.3
D391,741	S	*	3/1998	Baker	D2/882
5,855,023	A	*	1/1999	Clingenpeel et al.	2/7
6,088,837	A	*	7/2000	Baker	2/195.1

6,675,393	B1	*	1/2004	Park	2/195.2
D501,290	S	*	2/2005	Zuloff	D2/866
D579,179	S	*	10/2008	Childress	D2/882
7,676,851	B2	*	3/2010	Koh	2/246
D621,140	S	*	8/2010	Schmelzer	D2/893
D629,183	S	*	12/2010	Adams et al.	D2/882
D630,417	S	*	1/2011	Schmelzer	D2/893
D635,336	S	*	4/2011	Alger	D2/866
D636,562	S	*	4/2011	Lam et al.	D2/882
D654,251	S	*	2/2012	Alkas-Shamoun	D2/882
D660,554	S	*	5/2012	Blackshear	D2/872
D675,404	S	*	2/2013	Parker	D2/882

(Continued)

Primary Examiner — Karen E Eldridge Powers

(74) *Attorney, Agent, or Firm* — Atlanta Technology Law

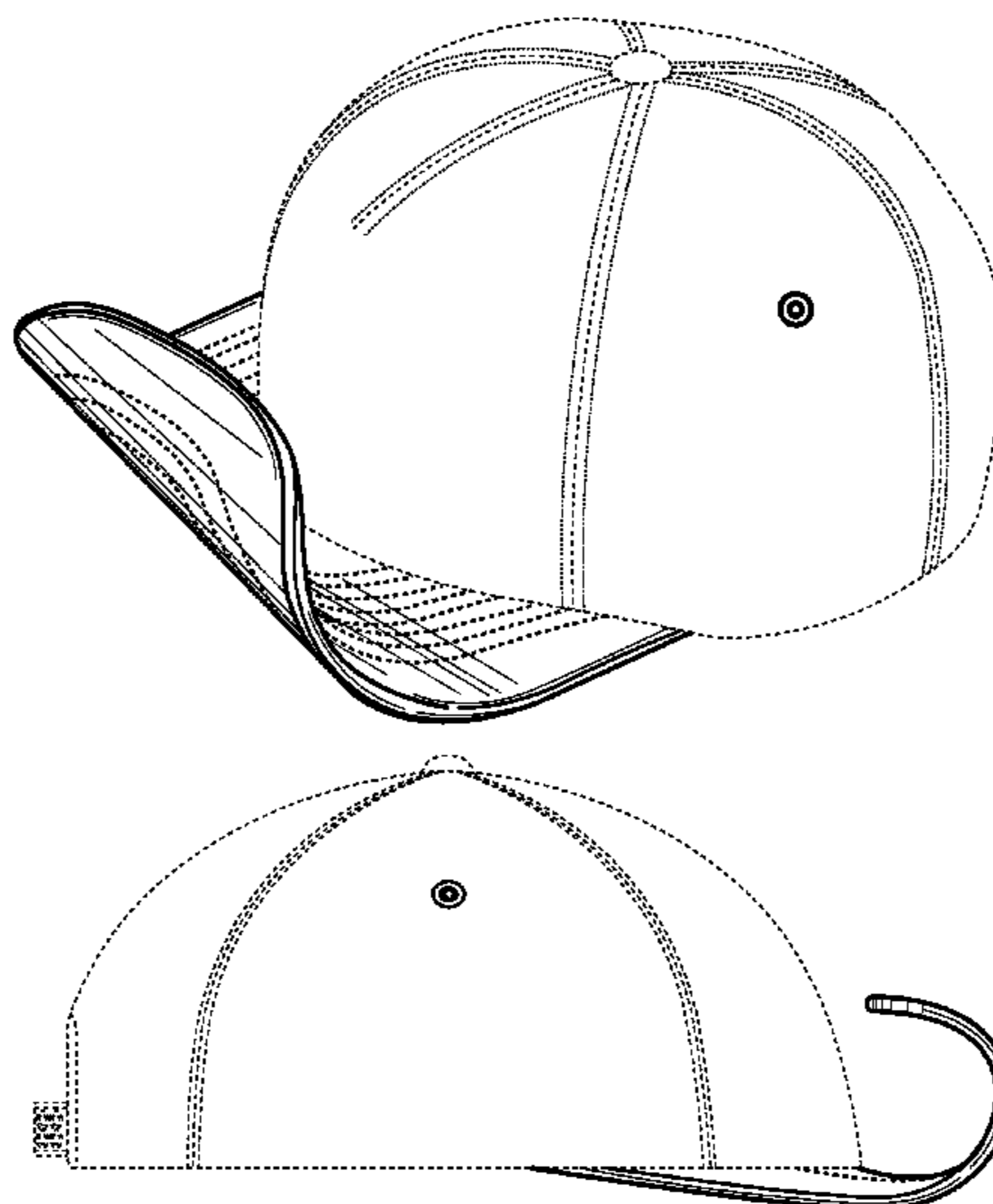
(57) **CLAIM**

The ornamental design for a hat with a curled bill, as shown and described.

DESCRIPTION

FIG. 1 is a top and front perspective view of a hat with a curled bill showing the new design;
 FIG. 2 is a rear perspective view of a hat with a curled bill showing the new design;
 FIG. 3 is a front elevation view of a hat with a curled bill showing the new design;
 FIG. 4 is a top plan view of a hat with a curled bill showing the new design;
 FIG. 5 is a rear elevation view of a hat with a curled bill showing the new design;
 FIG. 6 is a bottom plan view of a hat with a curled bill showing the new design;
 FIG. 7 is a right side elevation view of a hat with a curled bill showing the new design; and,
 FIG. 8 is a left side elevation view of a hat with a curled bill showing the new design.
 The broken lines shown in the drawings illustrate features of the article in which the design is embodied that form no part of the claimed design.

1 Claim, 4 Drawing Sheets



(56)

References Cited

U.S. PATENT DOCUMENTS

2003/0106135	A1 *	6/2003	Landers	2/195.2	2007/0022517	A1 *	2/2007	Kronenberger	2/195.1
2004/0123376	A1 *	7/2004	Wang	2/171.1	2008/0028498	A1 *	2/2008	Beheton	2/175.1
2004/0187191	A1 *	9/2004	Lee	2/171	2008/0047048	A1 *	2/2008	Kwon	2/175.1
2006/0143793	A1 *	7/2006	Liao	2/195.6	2008/0098502	A1 *	5/2008	Tai	2/175.1
					2012/0066814	A1 *	3/2012	Adams et al.	2/195.1

* cited by examiner

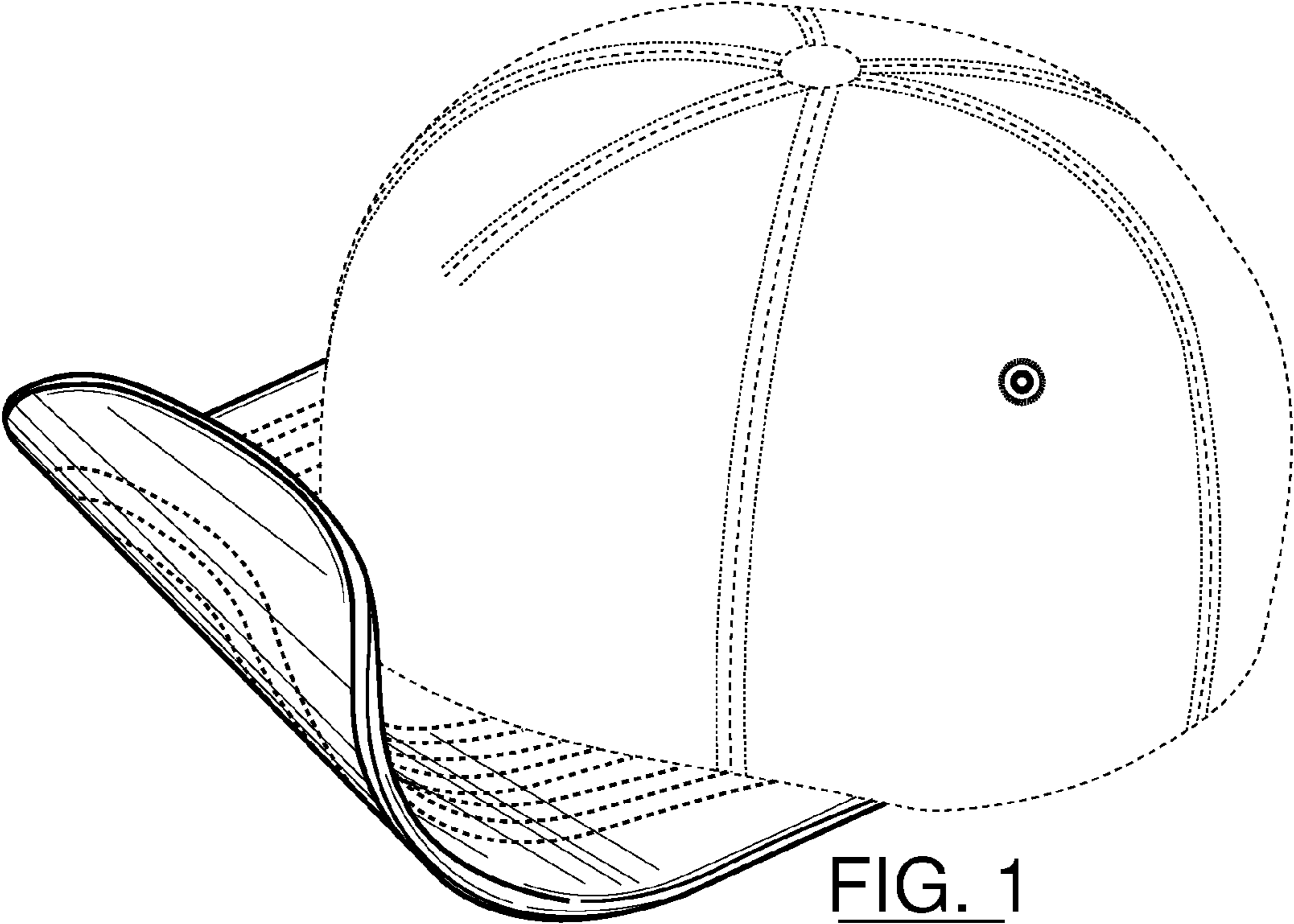


FIG. 1

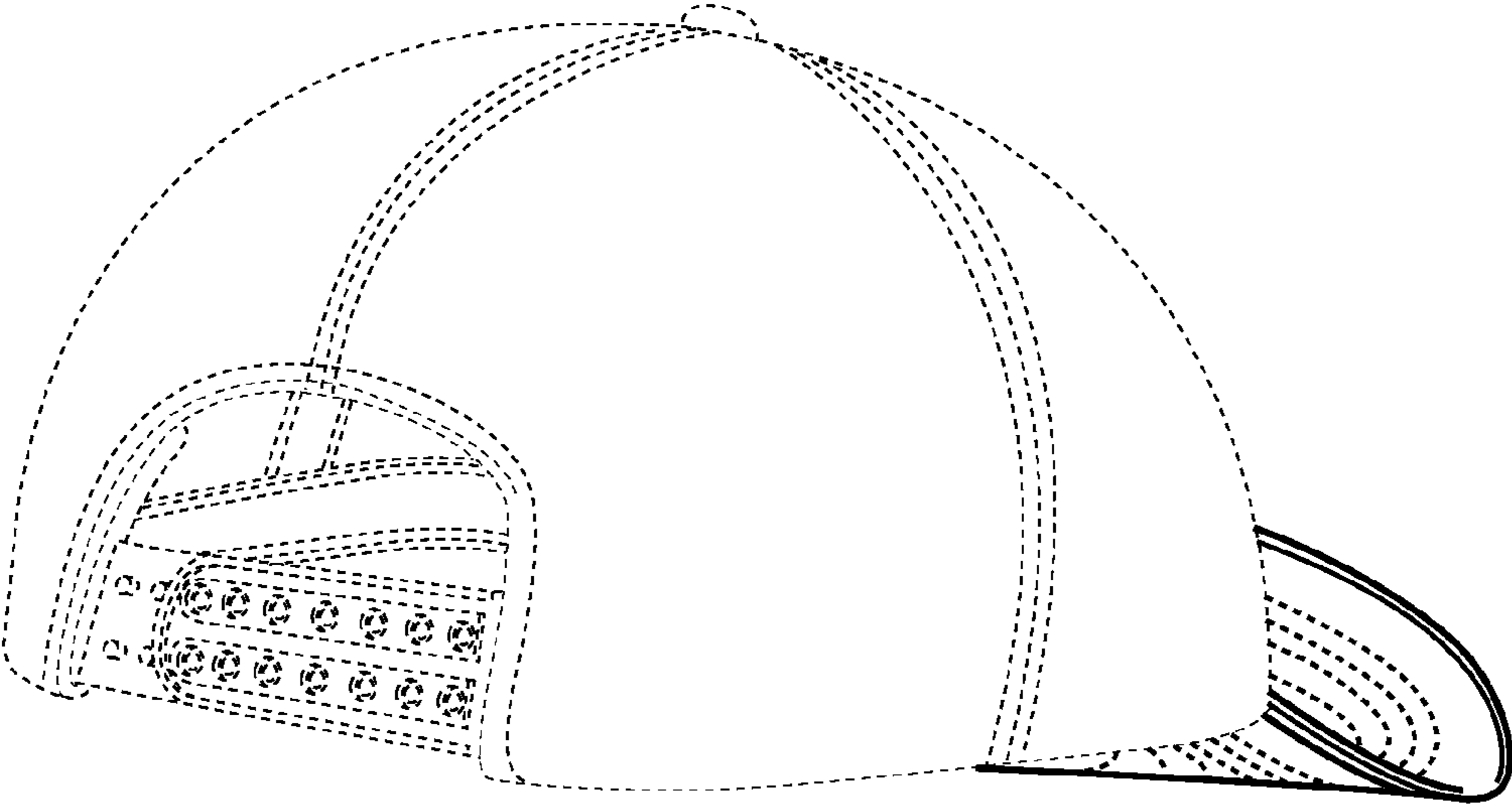


FIG. 2

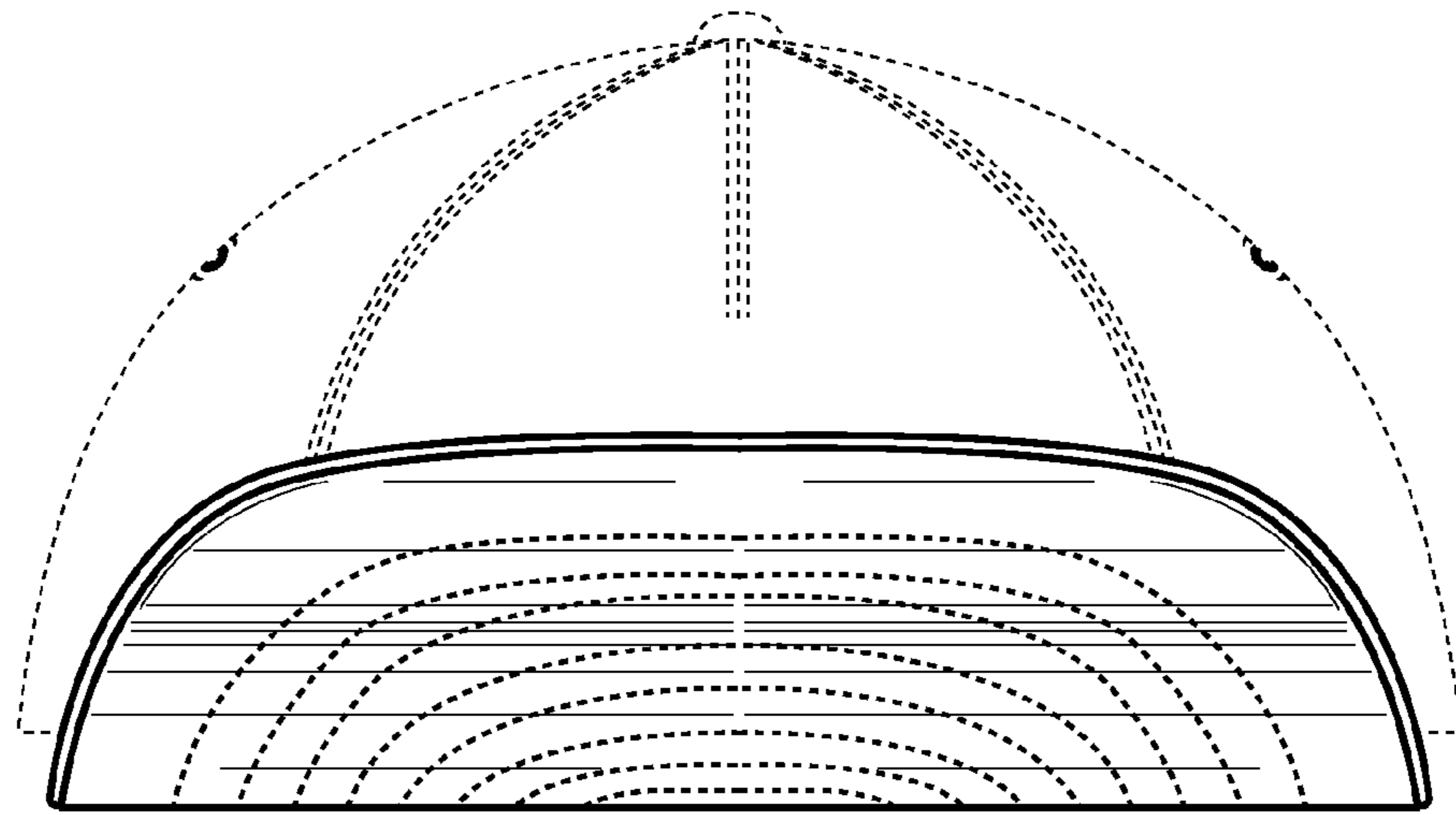


FIG. 3

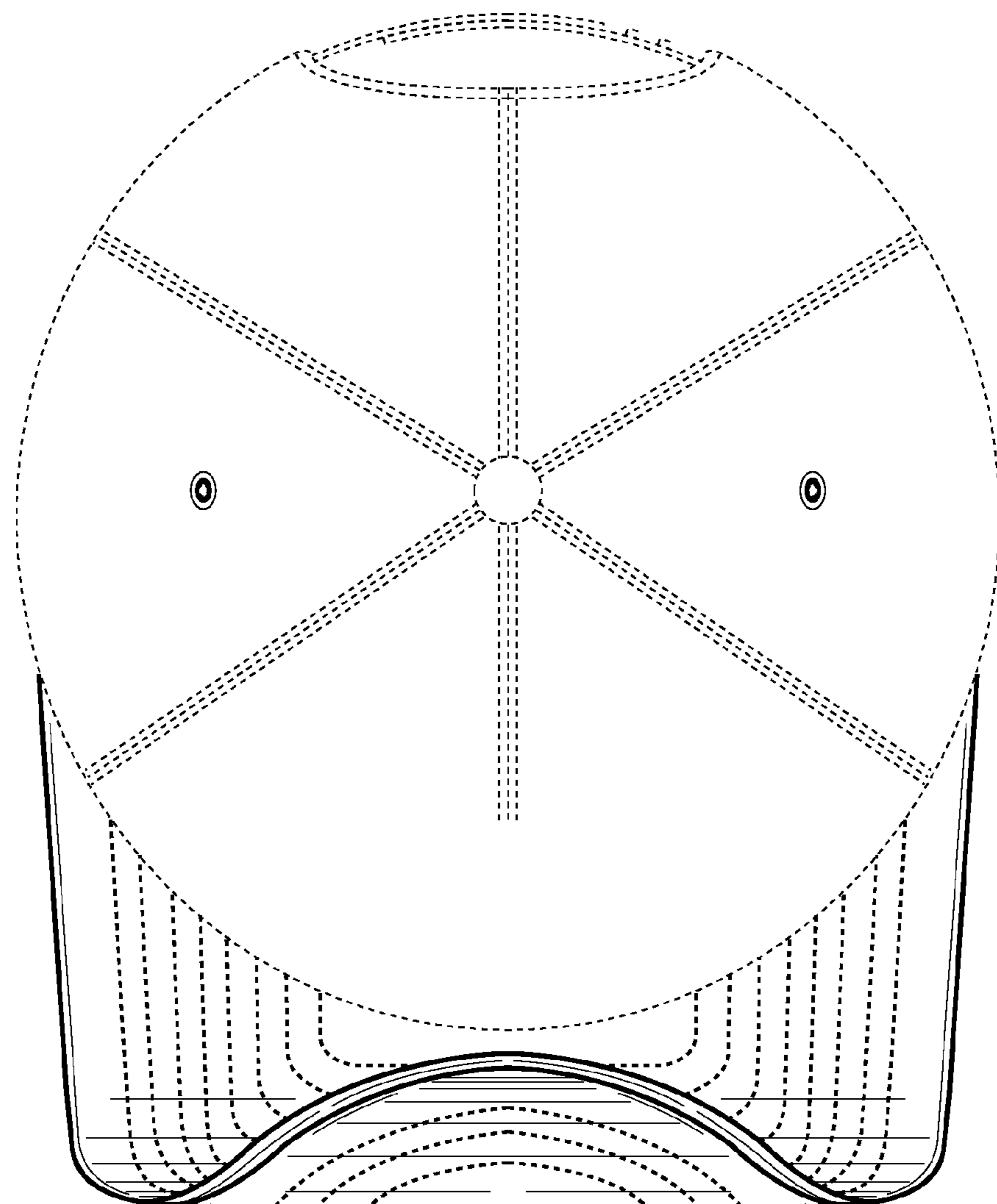


FIG. 4

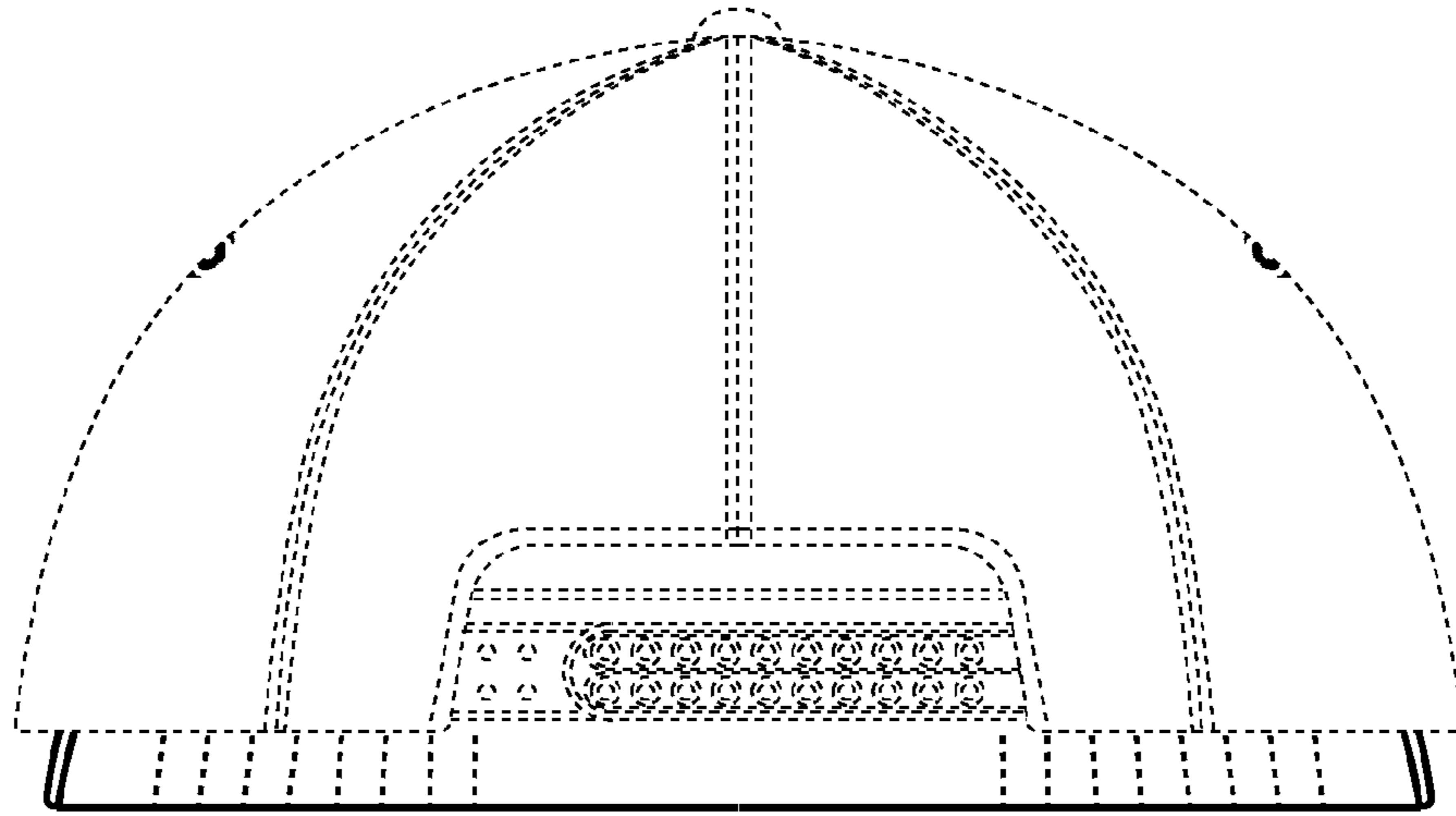


FIG. 5

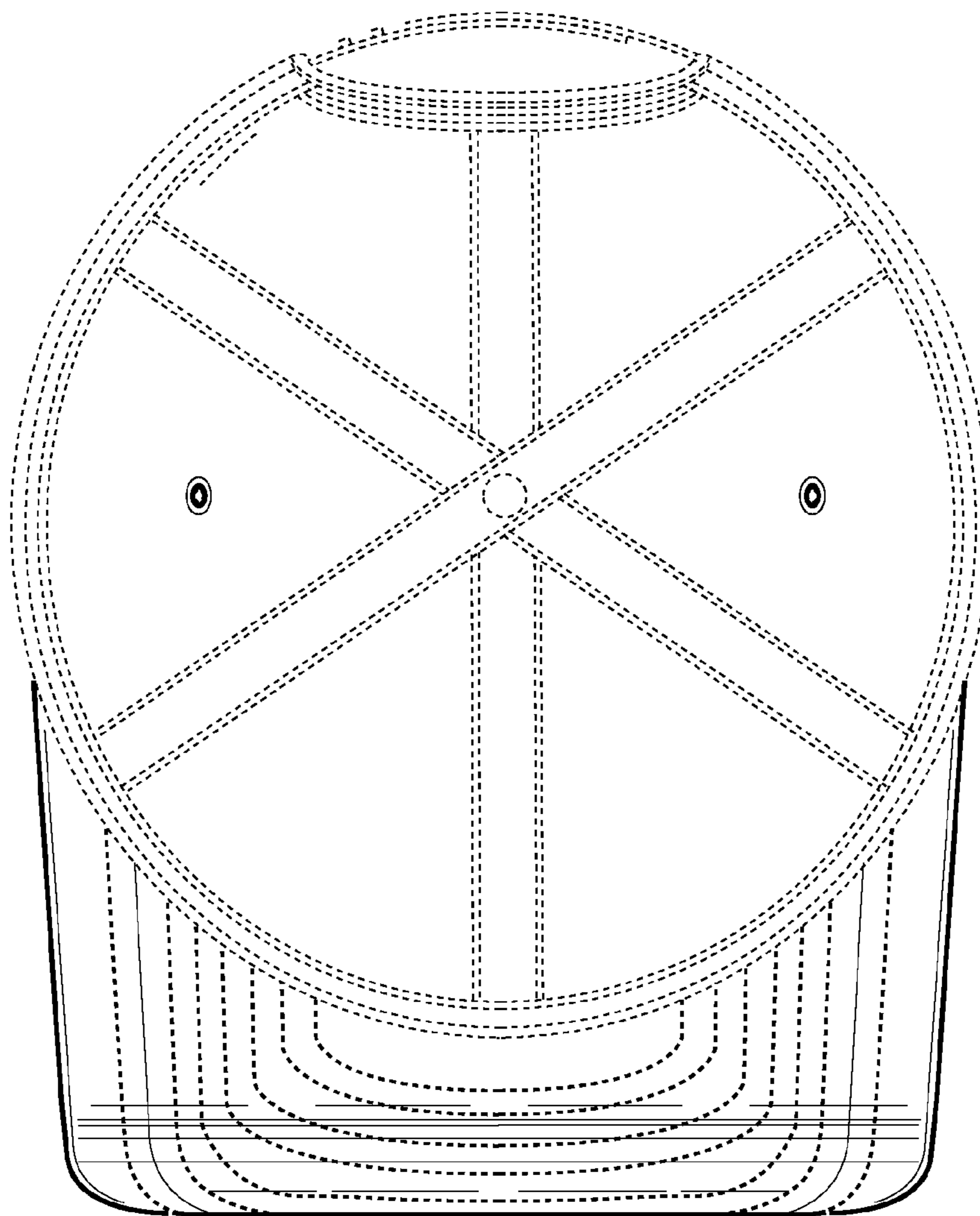


FIG. 6

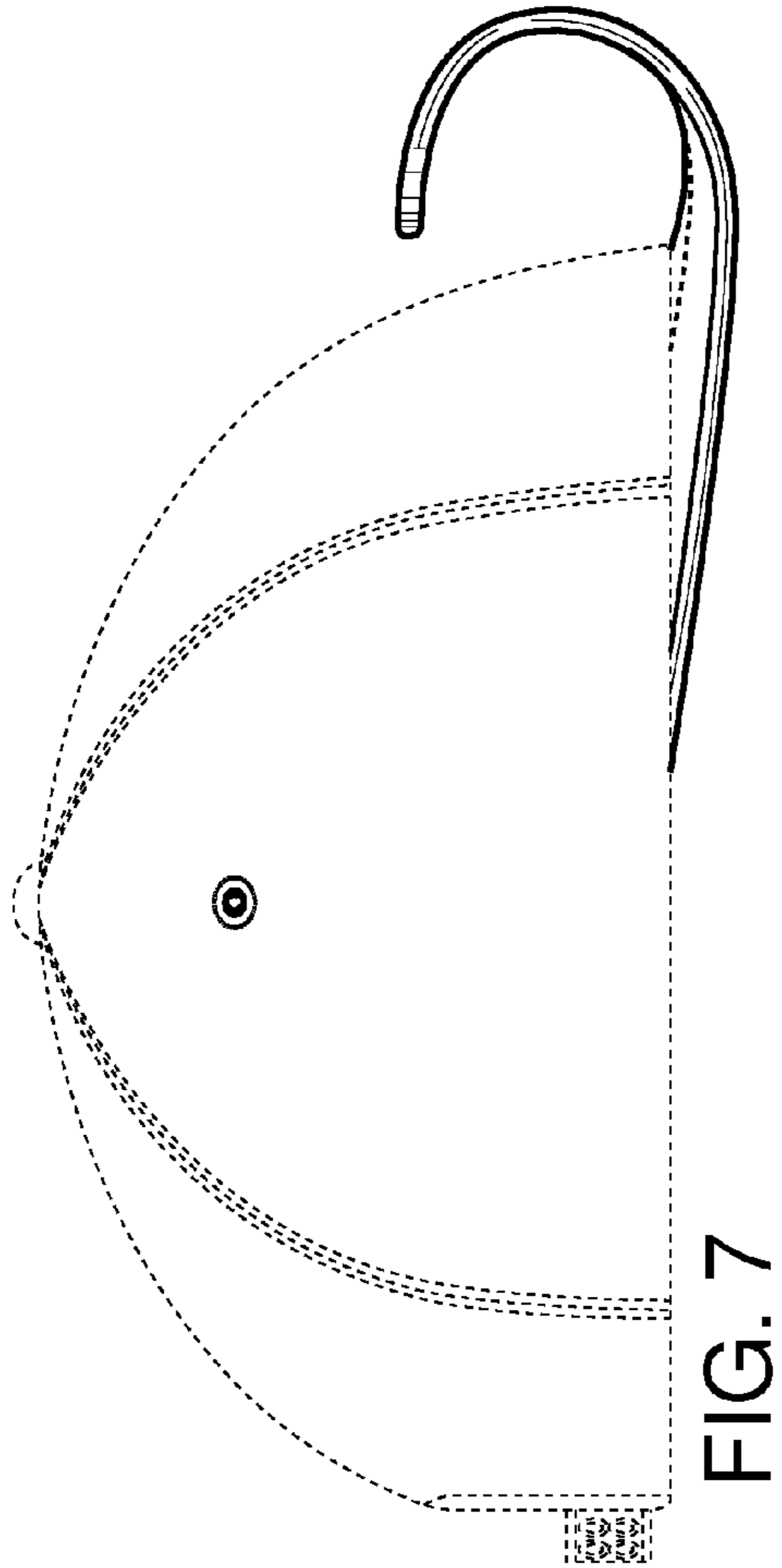


FIG. 7

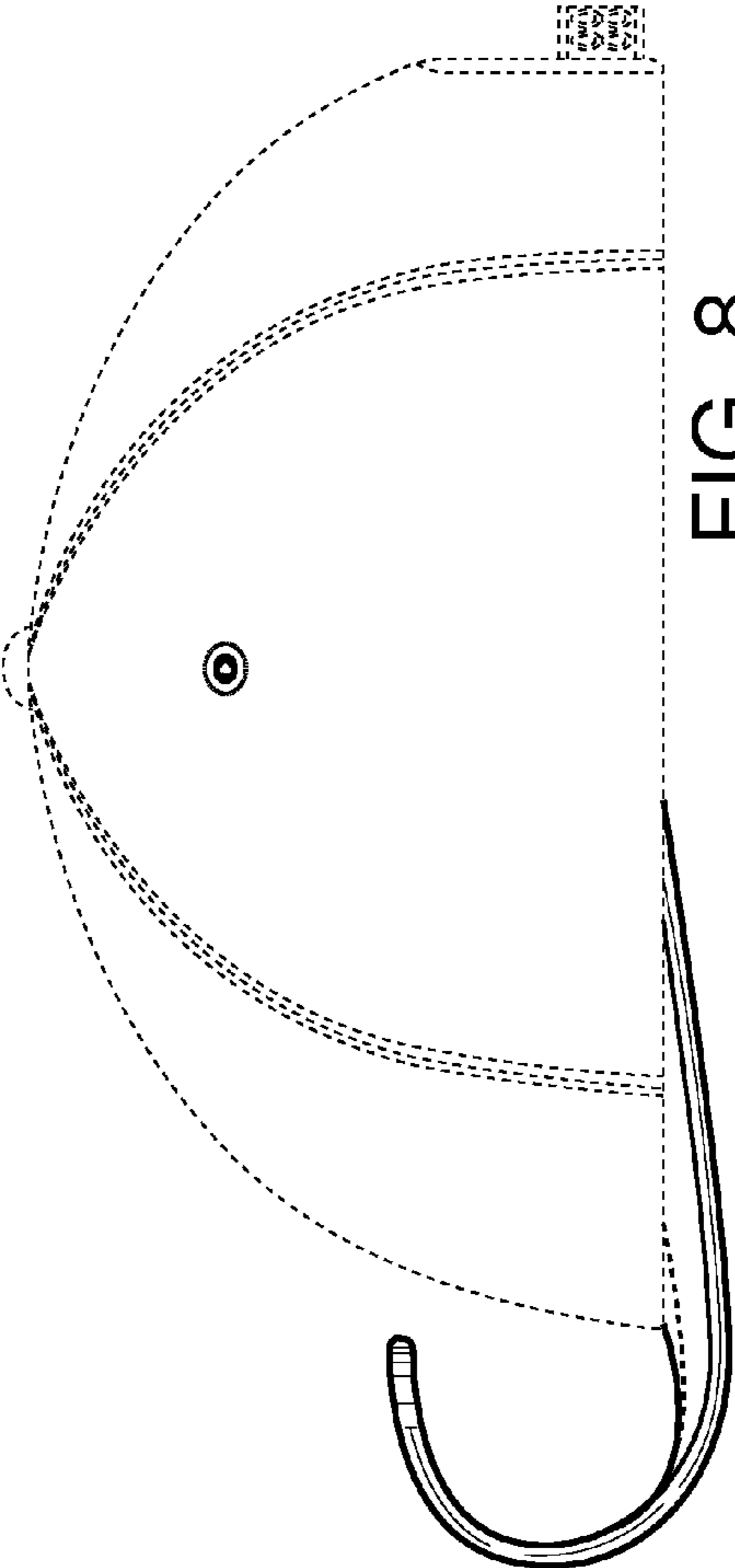


FIG. 8