



US00D693533S

(12) **United States Design Patent**
Rakoci-Anderson

(10) **Patent No.:** **US D693,533 S**
(45) **Date of Patent:** **** Nov. 12, 2013**

(54) **PULL CART FOR SKIS AND ACCESSORIES**

6,328,329 B1 12/2001 Smith
6,685,214 B2 2/2004 Gregory
6,742,792 B1 6/2004 Hooper et al.
7,731,221 B2 * 6/2010 Bess 280/651

(71) Applicant: **Susan Rakoci-Anderson**, Robbinsville,
NJ (US)

(72) Inventor: **Susan Rakoci-Anderson**, Robbinsville,
NJ (US)

(**) Term: **14 Years**

(21) Appl. No.: **29/451,193**

(22) Filed: **Mar. 28, 2013**

* cited by examiner

Primary Examiner — Cynthia Ramirez

(74) *Attorney, Agent, or Firm* — Montgomery Patent &
Design; Robert C. Montgomery

(57) **CLAIM**

The ornamental design for a pull cart for skis and accessories,
as shown and described.

DESCRIPTION

Related U.S. Application Data

(63) Continuation of application No. 12/384,571, filed on
Apr. 7, 2009, now abandoned.

(51) **LOC (9) Cl.** **12-02**

(52) **U.S. Cl.**
USPC **D34/12**

(58) **Field of Classification Search**
USPC D34/12-27; 280/814, 47.26, 815, 47.2,
280/47.33, 651; 224/917

See application file for complete search history.

(56) **References Cited**

U.S. PATENT DOCUMENTS

D182,180 S	2/1958	Grebow	
2,851,186 A *	9/1958	Rupe, Jr.	220/6
3,931,985 A *	1/1976	Knebel	280/42
3,976,234 A	8/1976	Moudry et al.	
4,199,170 A *	4/1980	Hubner et al.	280/641
4,199,171 A	4/1980	Betts	
4,326,747 A	4/1982	Finnegan	
D288,032 S	2/1987	Gainey	
D292,135 S *	9/1987	Grube et al.	D34/24
D331,207 S *	11/1992	Phelps	D12/101
5,388,854 A	2/1995	Kappaz	
6,042,128 A	3/2000	Dinkins	

FIG. 1 is an isometric view of a pull cart for skis and accessories;

FIG. 2 is a front view thereof;

FIG. 3 is rear view thereof;

FIG. 4 is a left hand side view thereof;

FIG. 5 is a right hand side view thereof;

FIG. 6 is a top view thereof;

FIG. 7 is a bottom view thereof;

FIG. 8 is an isometric view of a pull cart for skis and accessories with a cover removed for illustration;

FIG. 9 is a front view thereof;

FIG. 10 is a rear view thereof;

FIG. 11 is a left hand side view thereof;

FIG. 12 is a right hand side view thereof;

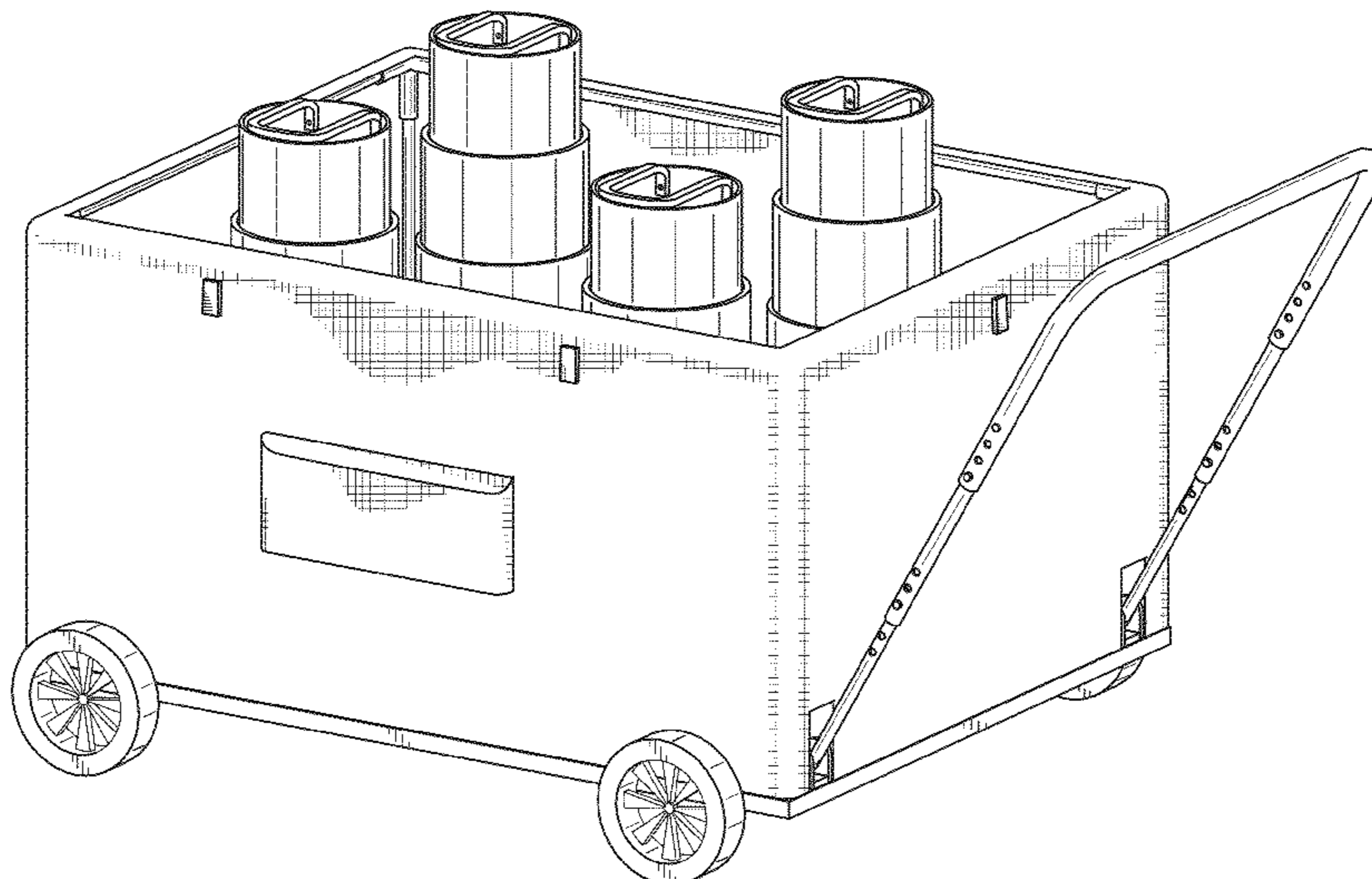
FIG. 13 is a top view thereof;

FIG. 14 is a bottom view thereof; and,

FIG. 15 is an isometric view of a pull cart for skis and accessories with containment barrels in a collapsed position for illustration.

The cross-hatching shading added to the cover surface in FIGS. 1 through 7 is fragmentarily shown for convenience of illustration; it being understood that the cross-hatching is uniformly continued over the surface on which it appears.

1 Claim, 15 Drawing Sheets



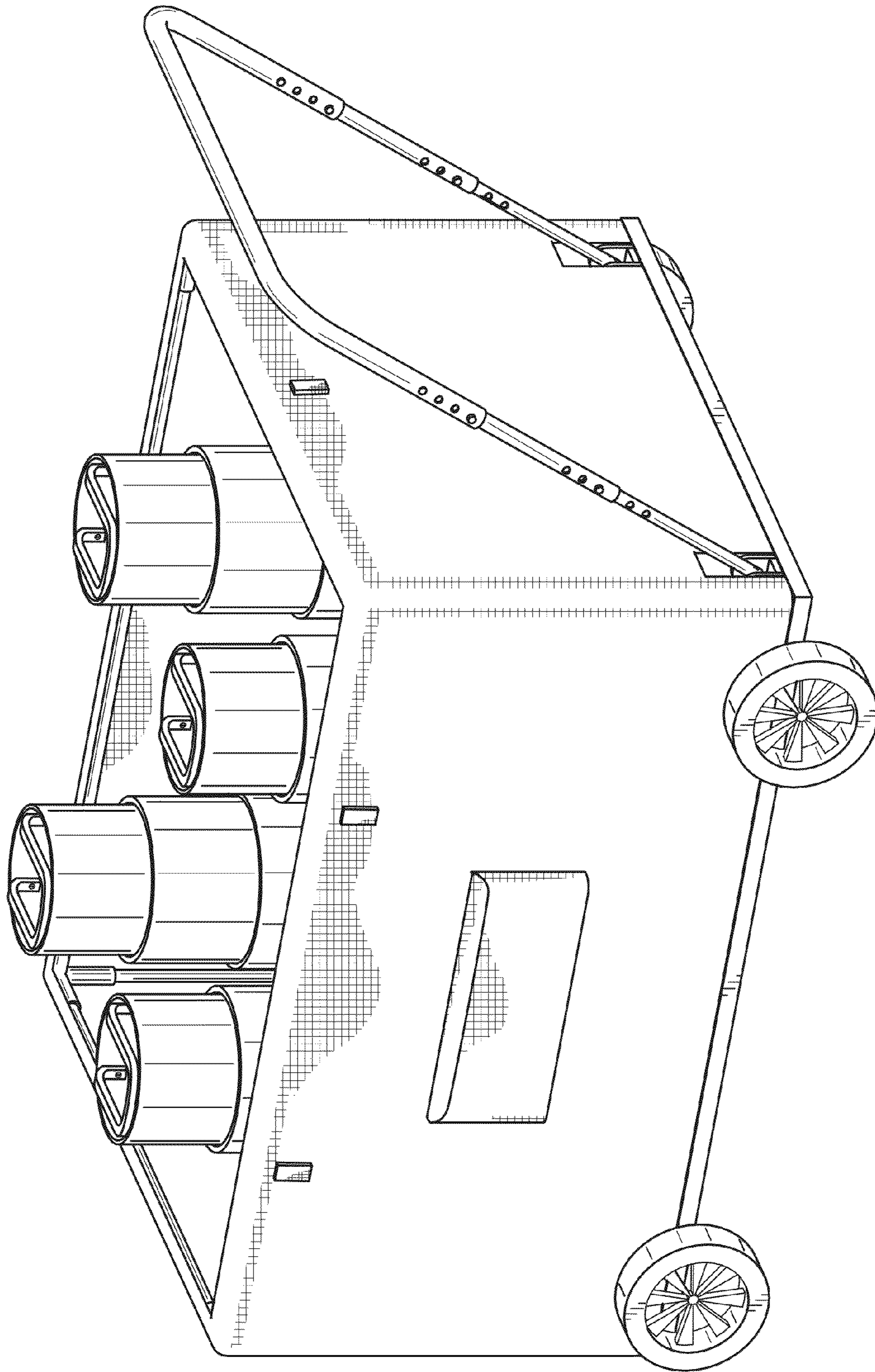


Fig. 1

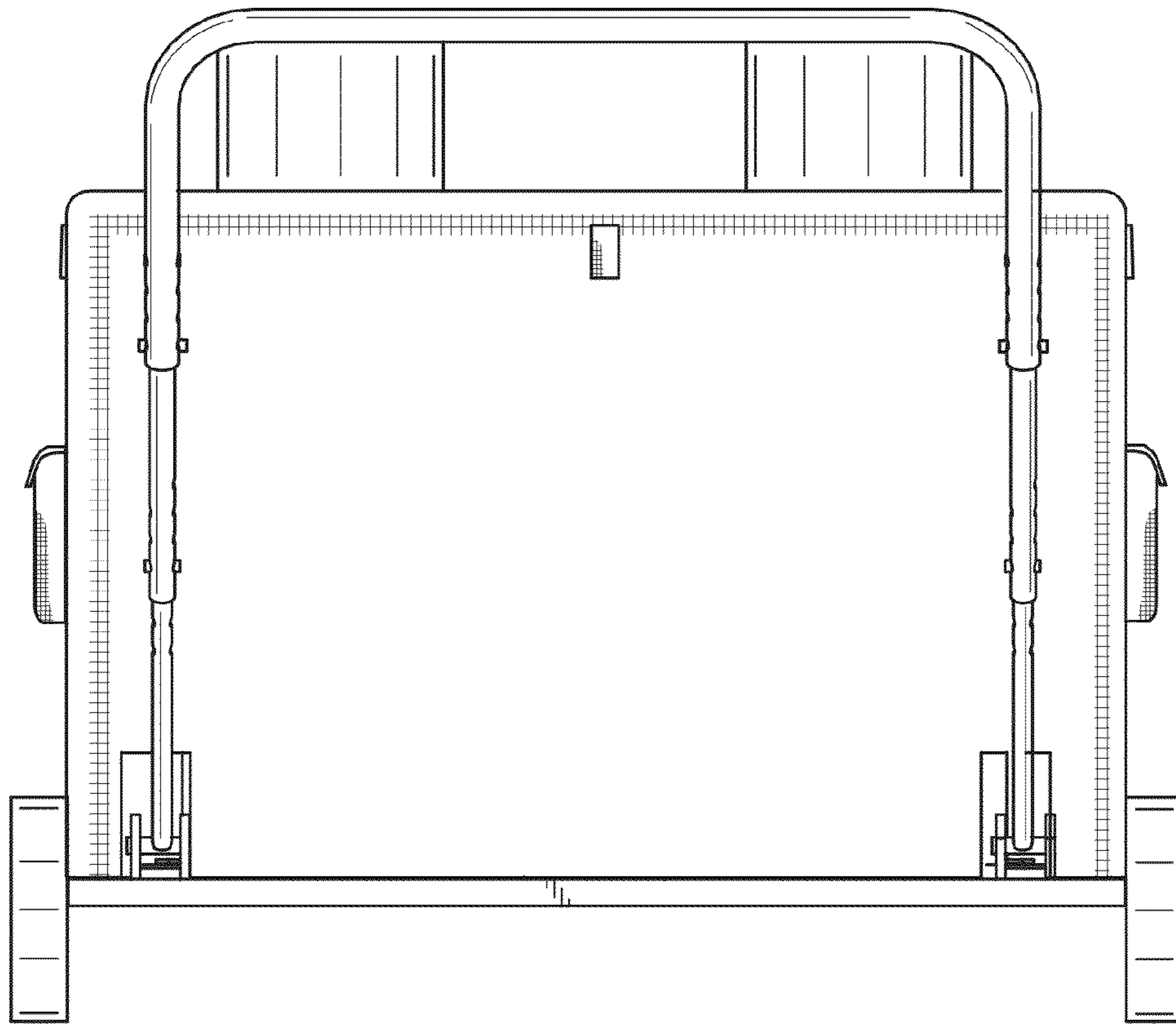


Fig. 2

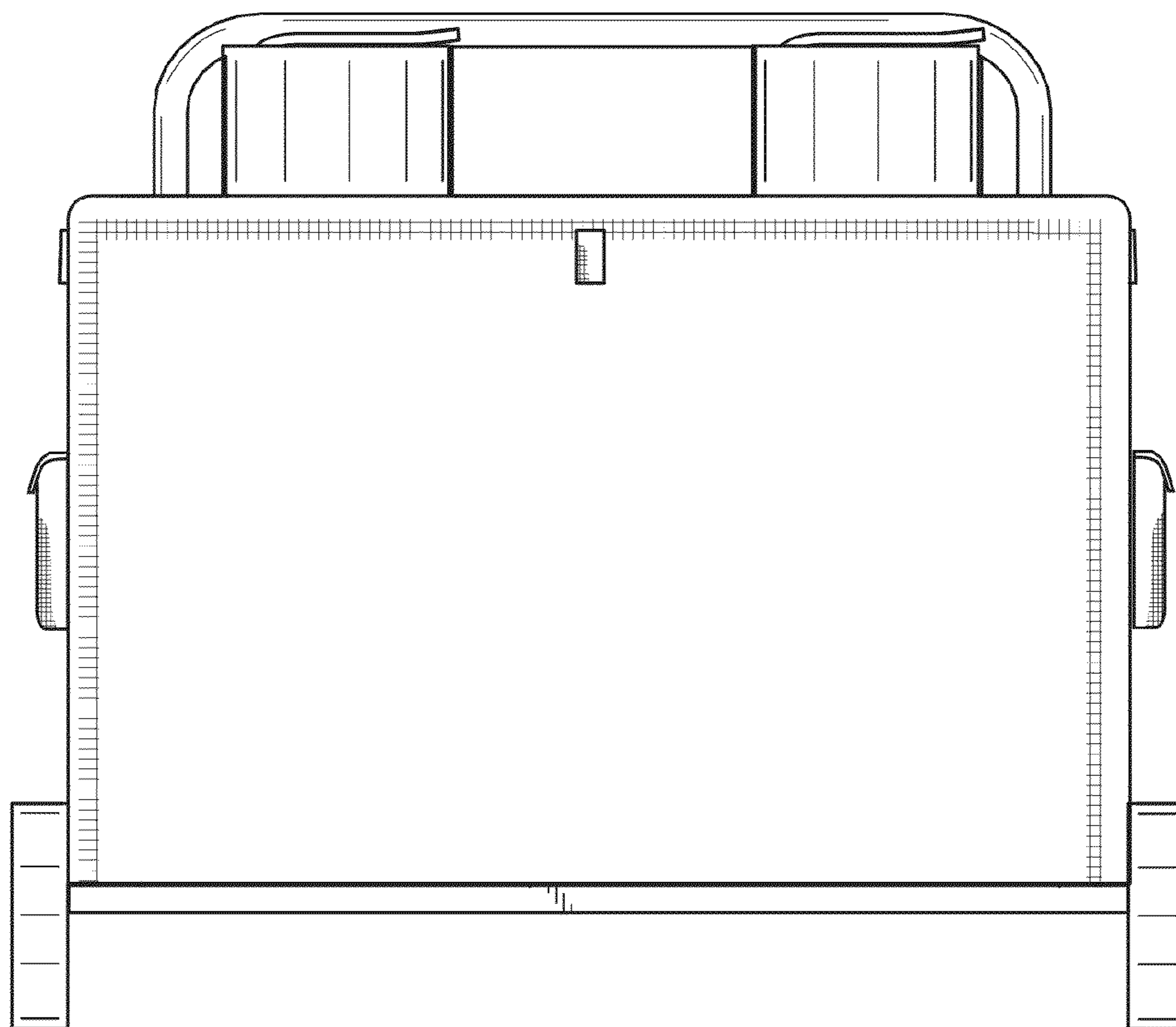


Fig. 3

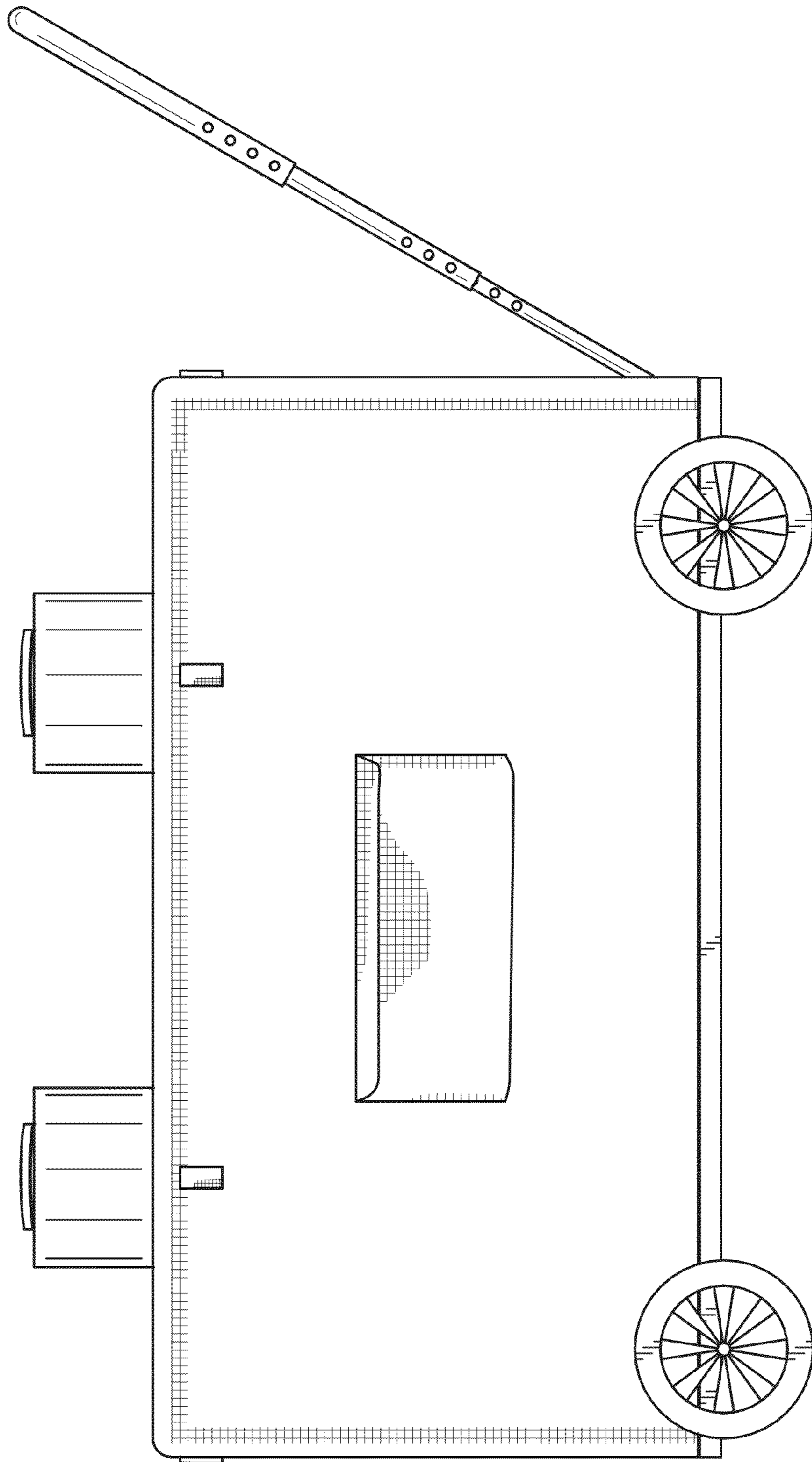


Fig. 4

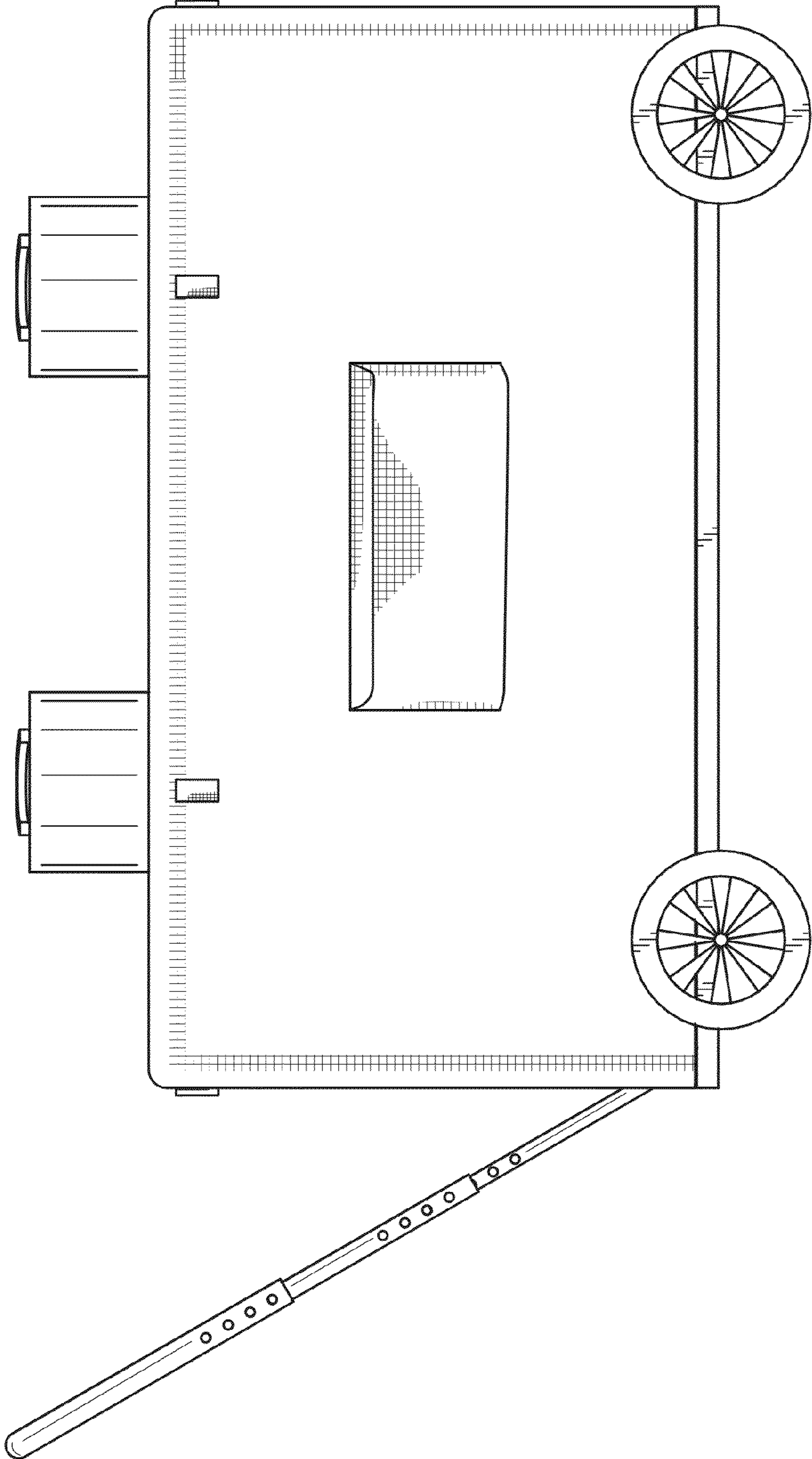


Fig. 5

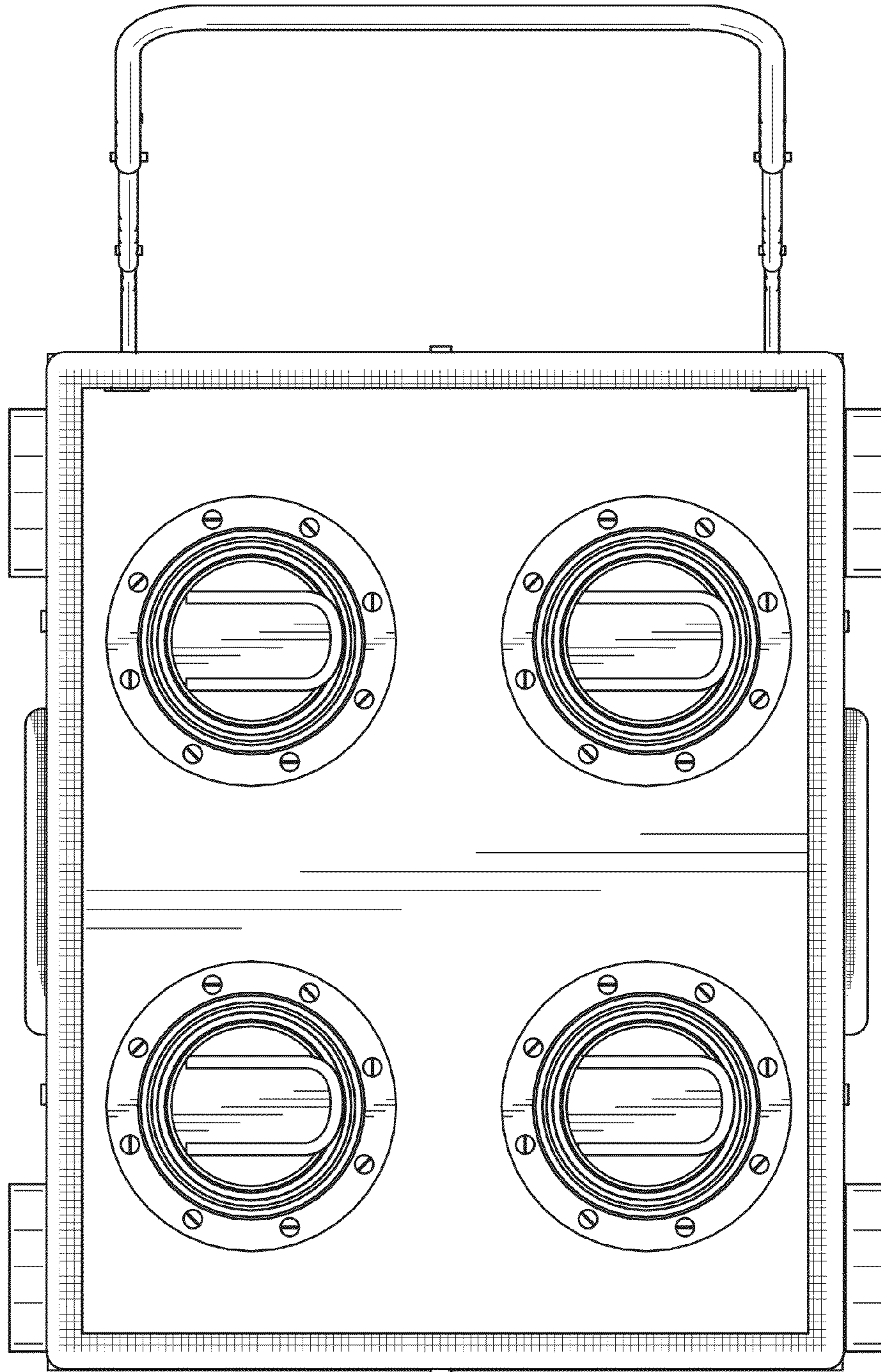


Fig. 6

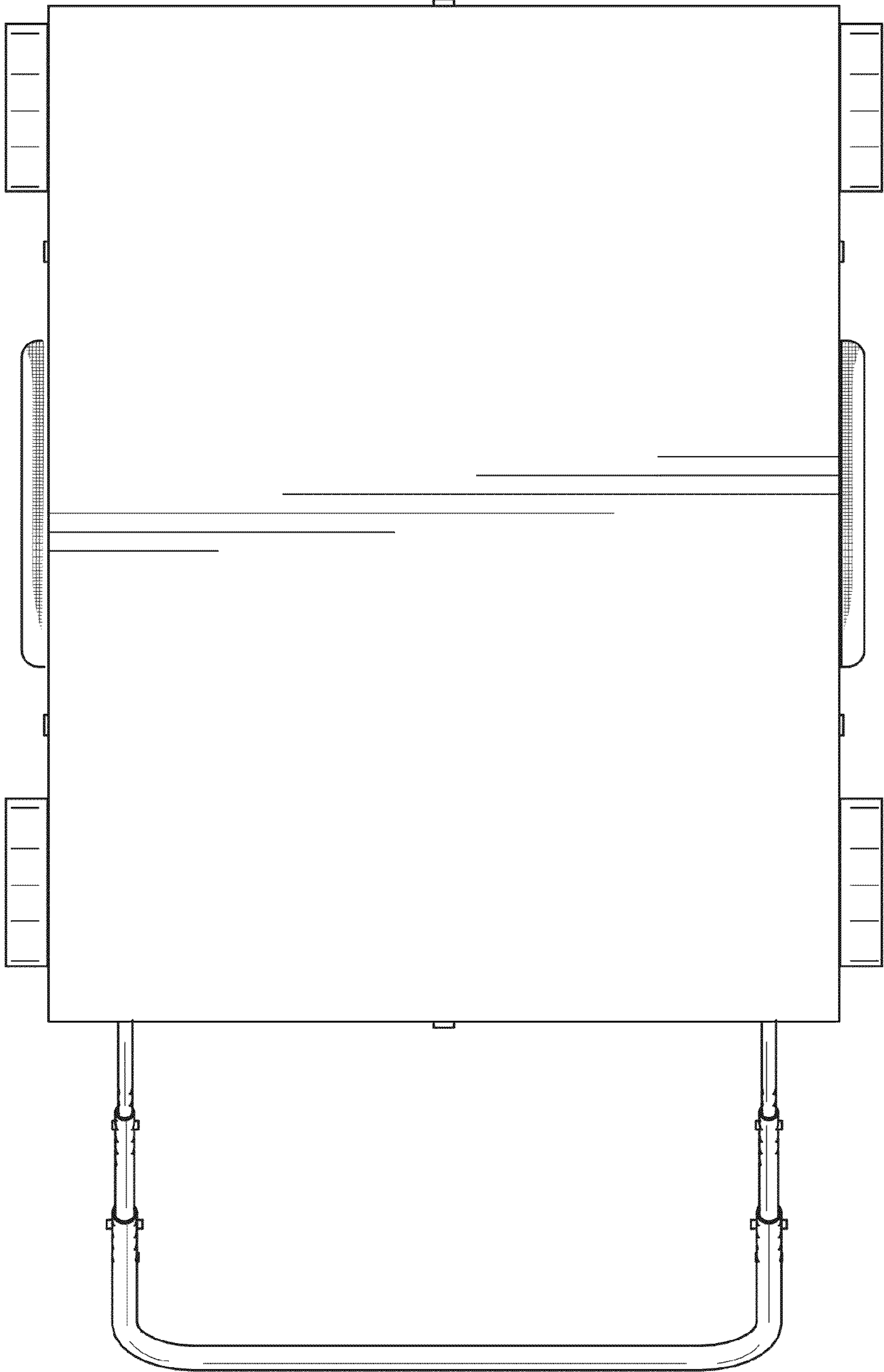


Fig. 7

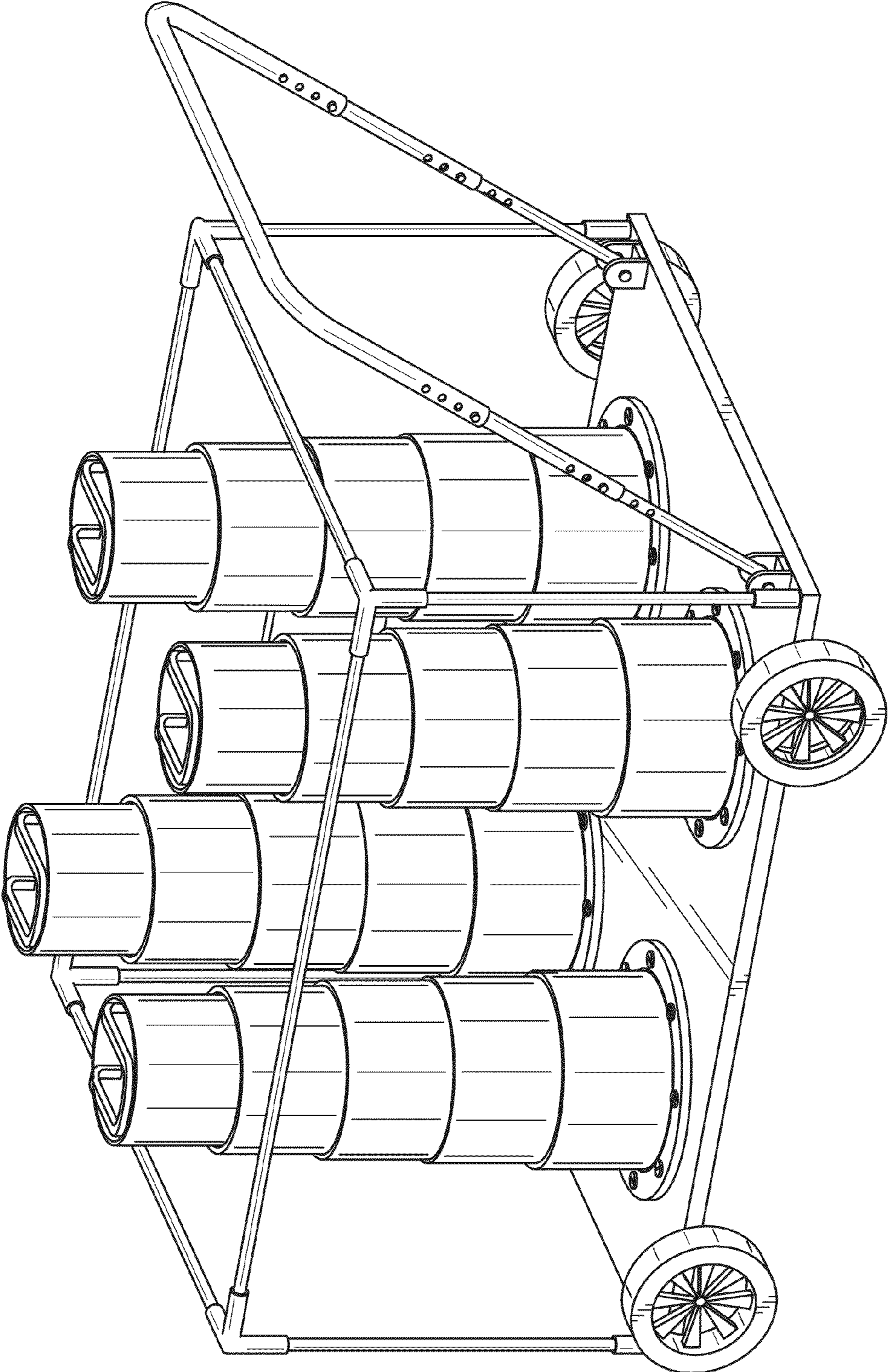


Fig. 8

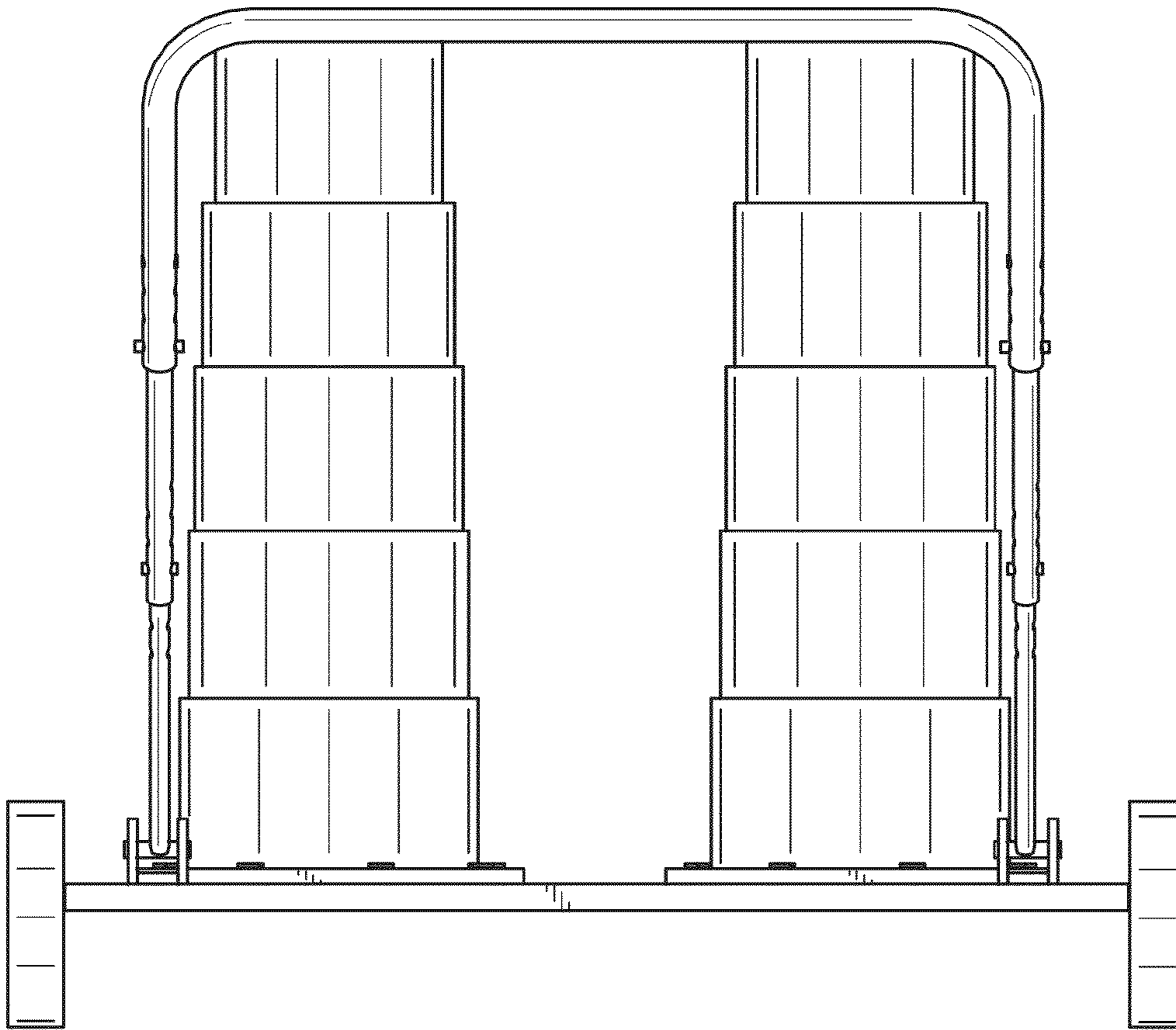


Fig. 9

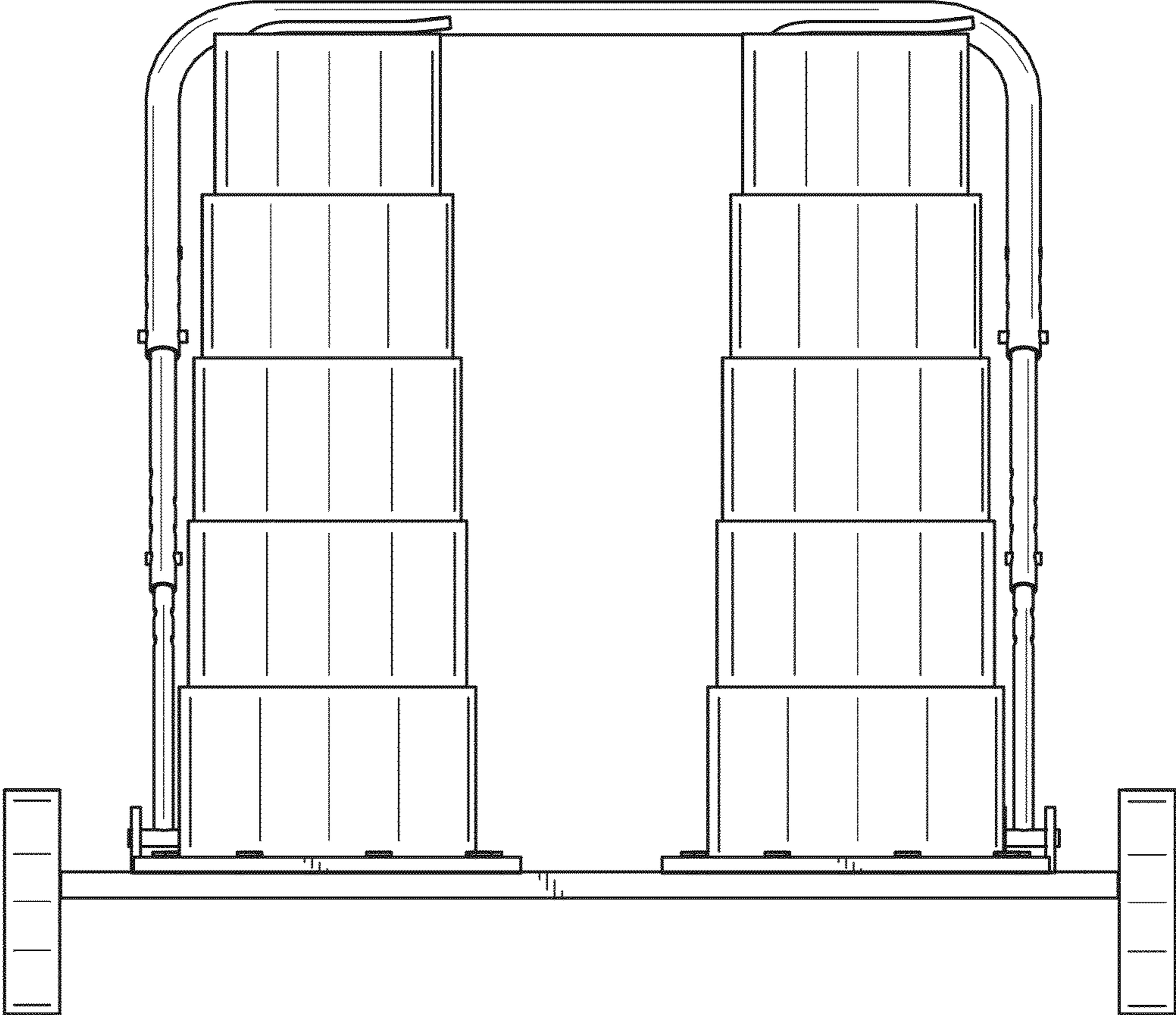


Fig. 10

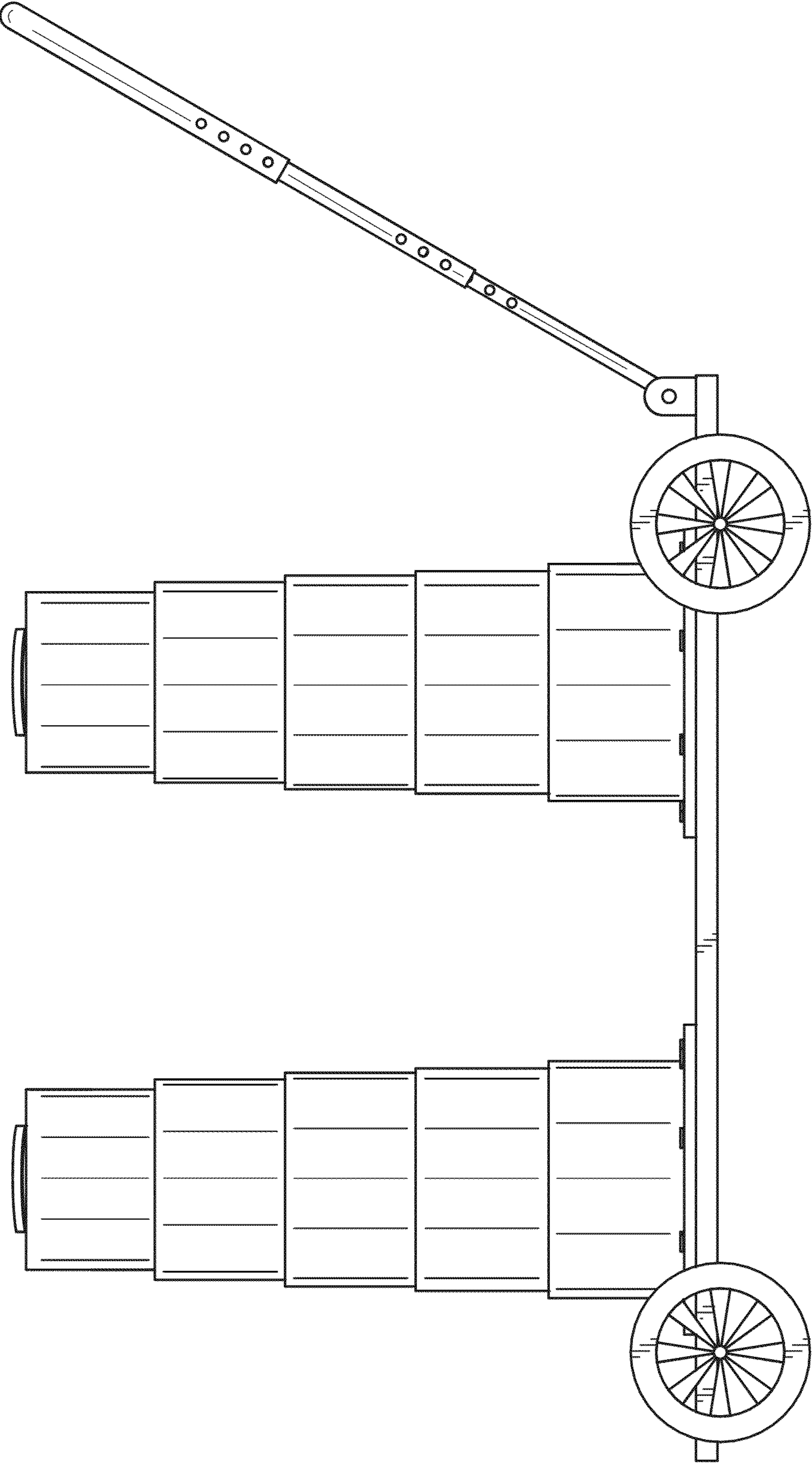


Fig. 11

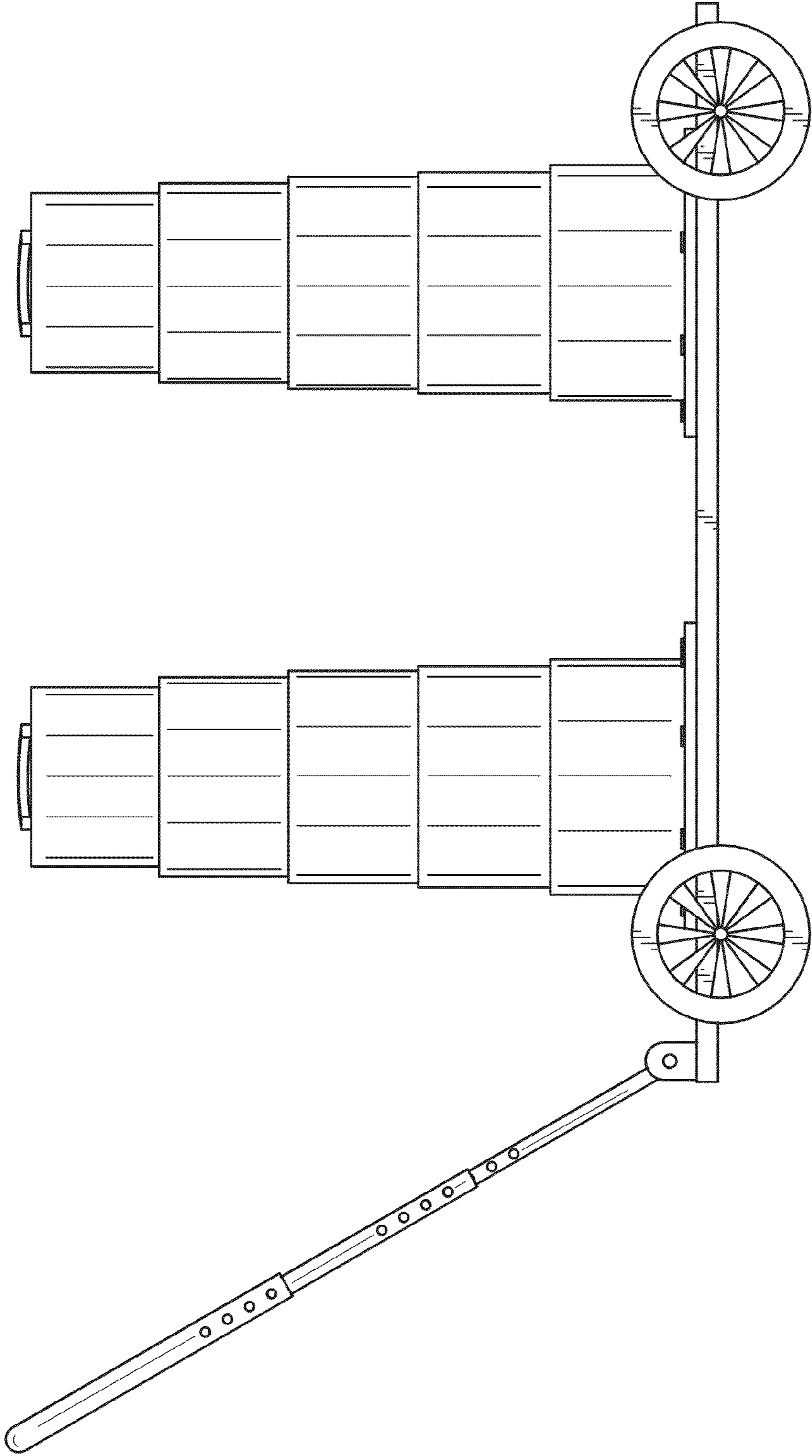


Fig. 12

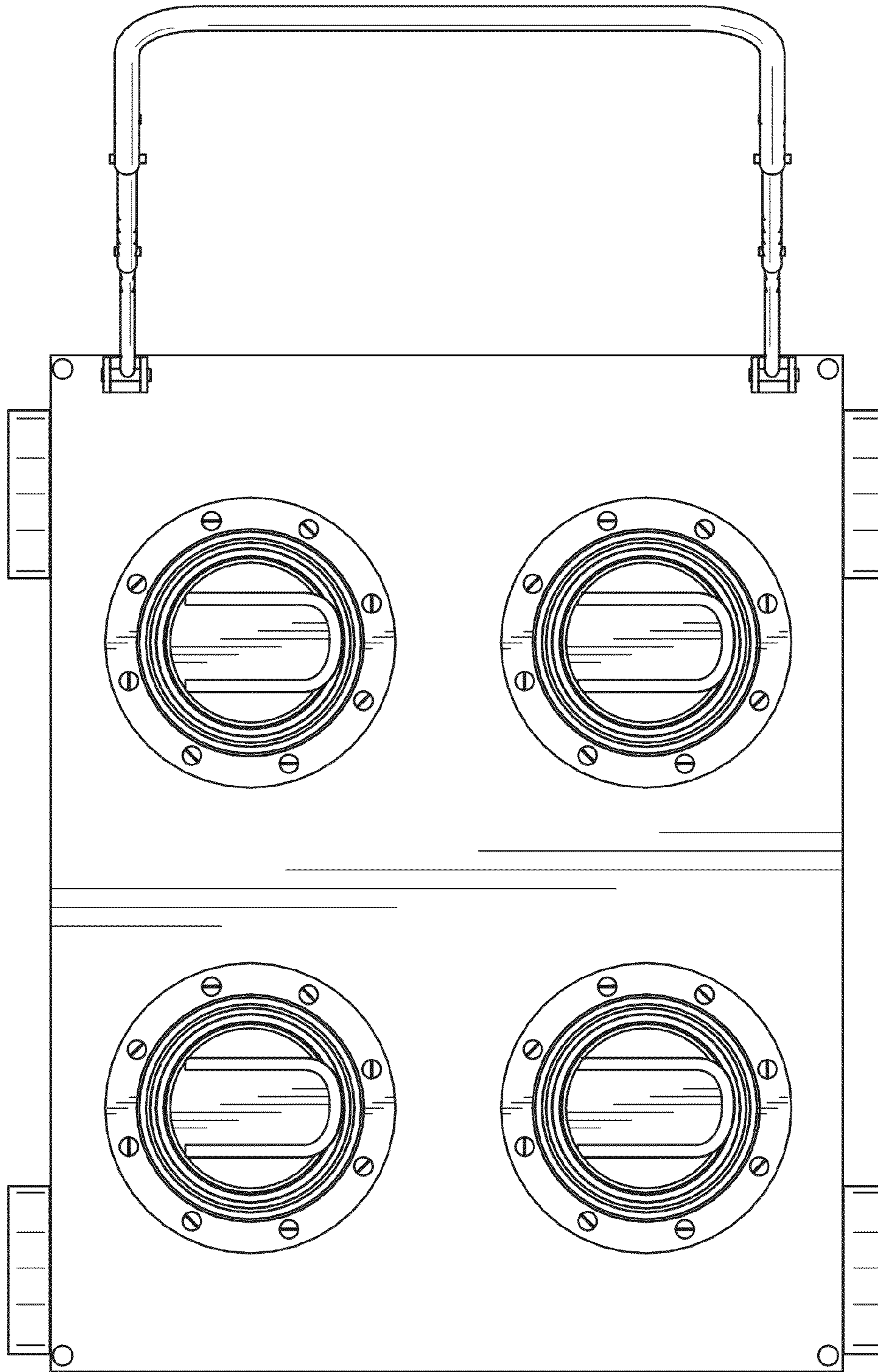


Fig. 13

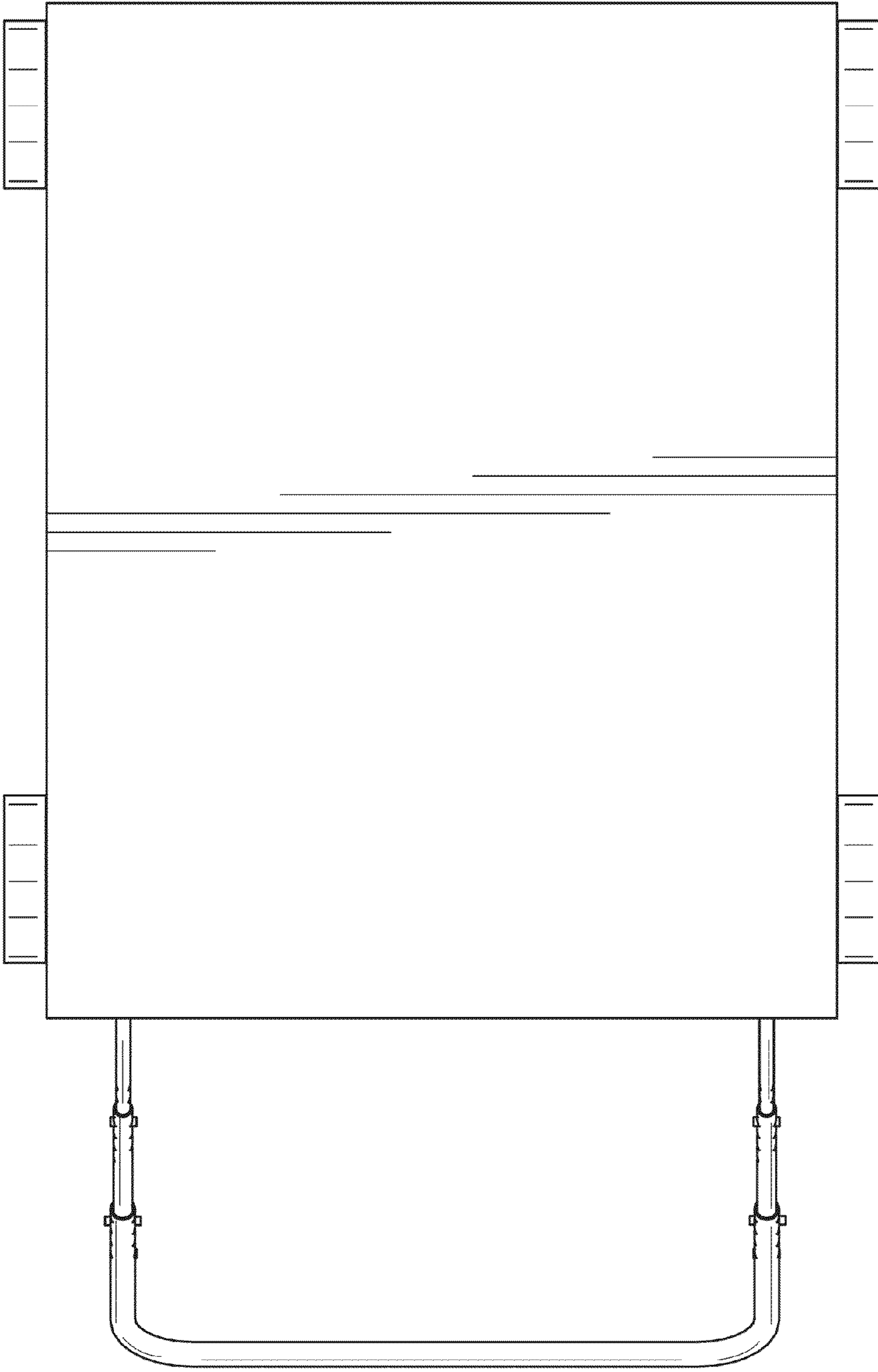


Fig. 14

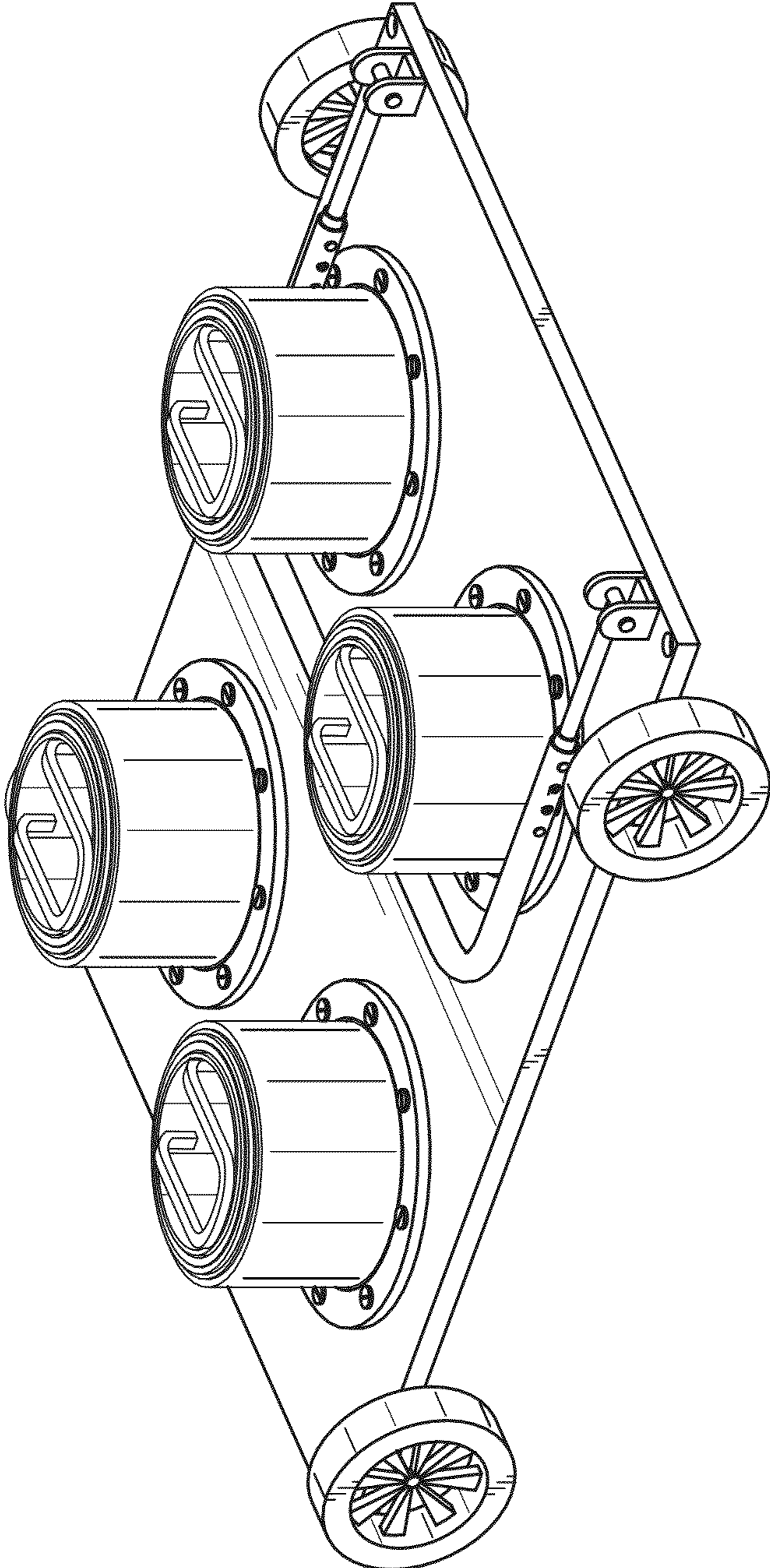


Fig. 15