



US00D693531S

(12) **United States Design Patent**  
**Genoa et al.**

(10) **Patent No.:** **US D693,531 S**

(45) **Date of Patent:** **\*\* Nov. 12, 2013**

(54) **BASE FOR A SWEEPER**

(71) Applicants: **Mark Genoa**, Dix Hills, NY (US); **Scott Genoa**, Merrick, NY (US)

(72) Inventors: **Mark Genoa**, Dix Hills, NY (US); **Scott Genoa**, Merrick, NY (US)

(\*\*) Term: **14 Years**

(21) Appl. No.: **29/440,712**

(22) Filed: **Dec. 26, 2012**

(51) **LOC (9) Cl.** ..... **15-05**

(52) **U.S. Cl.**  
USPC ..... **D32/39**

(58) **Field of Classification Search**

USPC ..... D32/15, 17, 18, 21, 22, 31, 32, 33, 34,  
D32/35, 38, 39, 40, 42, 50, 51; 15/41.1, 42,  
15/47, 48, 104.93, 104.94, 105, 88.4, 228,  
15/4, 354, 403; 401/138, 140, 279, 137,  
401/268, 270

See application file for complete search history.

(56) **References Cited**

**U.S. PATENT DOCUMENTS**

D506,049	S *	6/2005	Santiago et al. ....	D32/32
D507,389	S *	7/2005	Kalman et al. ....	D32/32
7,013,528	B2 *	3/2006	Parker et al. ....	15/403
7,117,556	B2 *	10/2006	Grey .....	15/41.1
D536,495	S *	2/2007	Porter et al. ....	D32/32
D544,668	S *	6/2007	Harper et al. ....	D32/51
D549,906	S *	8/2007	Rosenzweig .....	D32/38
D560,866	S *	1/2008	Rosenzweig .....	D32/38

D577,166	S *	9/2008	Rosenzweig .....	D32/38
8,020,236	B2 *	9/2011	Kaleta et al. ....	15/4
D648,910	S *	11/2011	Raven et al. ....	D32/39
2003/0204923	A1 *	11/2003	Nakamura .....	15/4
2008/0141472	A1 *	6/2008	Jeutter et al. ....	15/41.1
2008/0289141	A1 *	11/2008	Oh et al. ....	15/354

\* cited by examiner

*Primary Examiner* — Caron D Veynar

*Assistant Examiner* — Martie K Holtje

(74) *Attorney, Agent, or Firm* — Gerard F. Dunne

(57) **CLAIM**

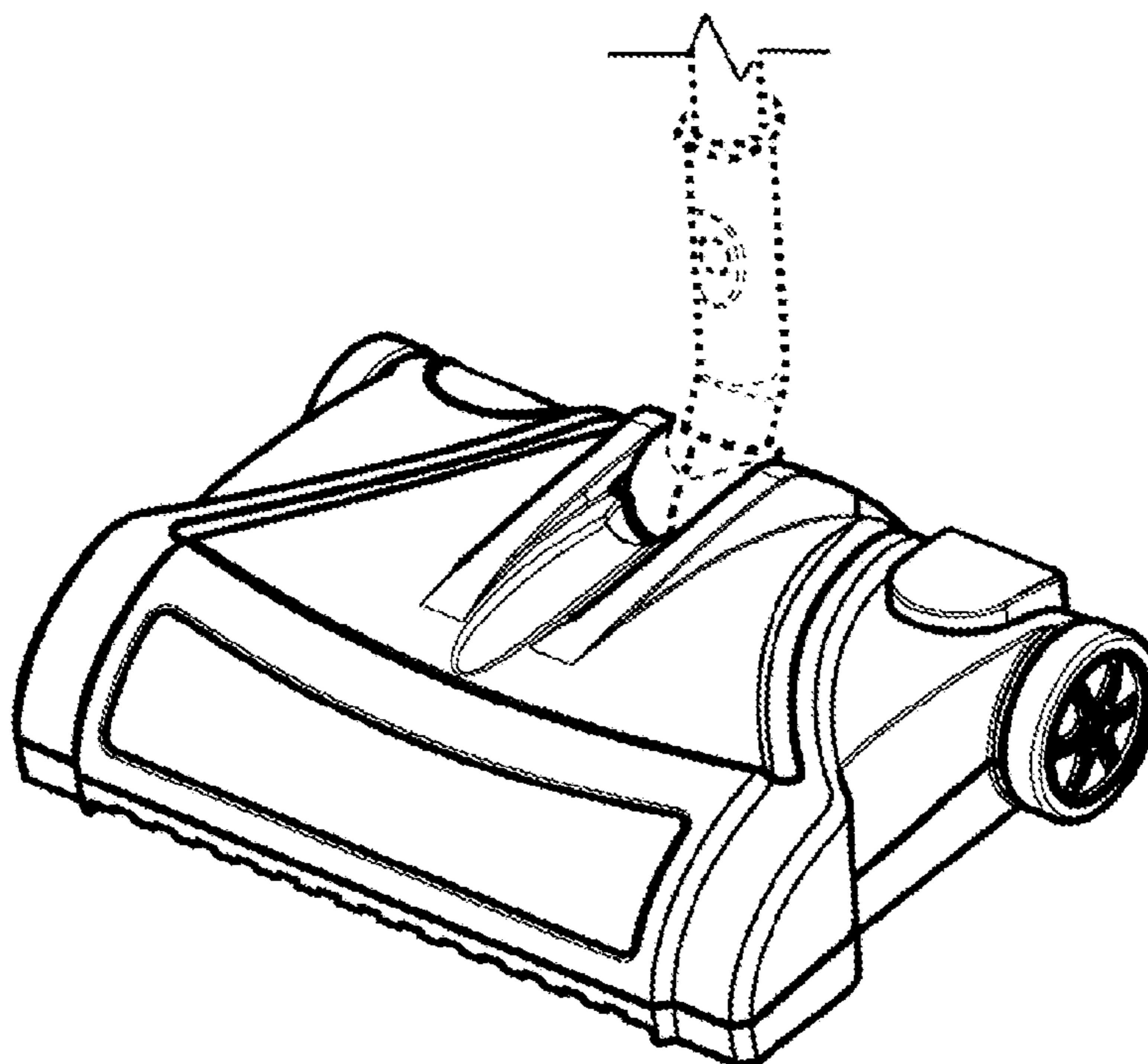
The ornamental design for a base for a sweeper, as shown and described.

**DESCRIPTION**

FIG. 1 is a front perspective view of a base for a sweeper showing our new design;  
FIG. 2 is a rear perspective view thereof;  
FIG. 3 is a front elevational view thereof;  
FIG. 4 is a rear elevational view thereof;  
FIG. 5 is a right side elevational view thereof;  
FIG. 6 is a top plan view thereof, drawn to an enlarged scale; and,  
FIG. 7 is a bottom plan view of FIG. 6.

The broken lines showing the connection of the upper portion of sweeper base to handle of the sweeper, as well as the broken lines showing the grid-work above the brush in the bottom plan view of FIG. 7 are included for the purpose of illustrating environmental structure, and form no part of the claimed design.

**1 Claim, 3 Drawing Sheets**



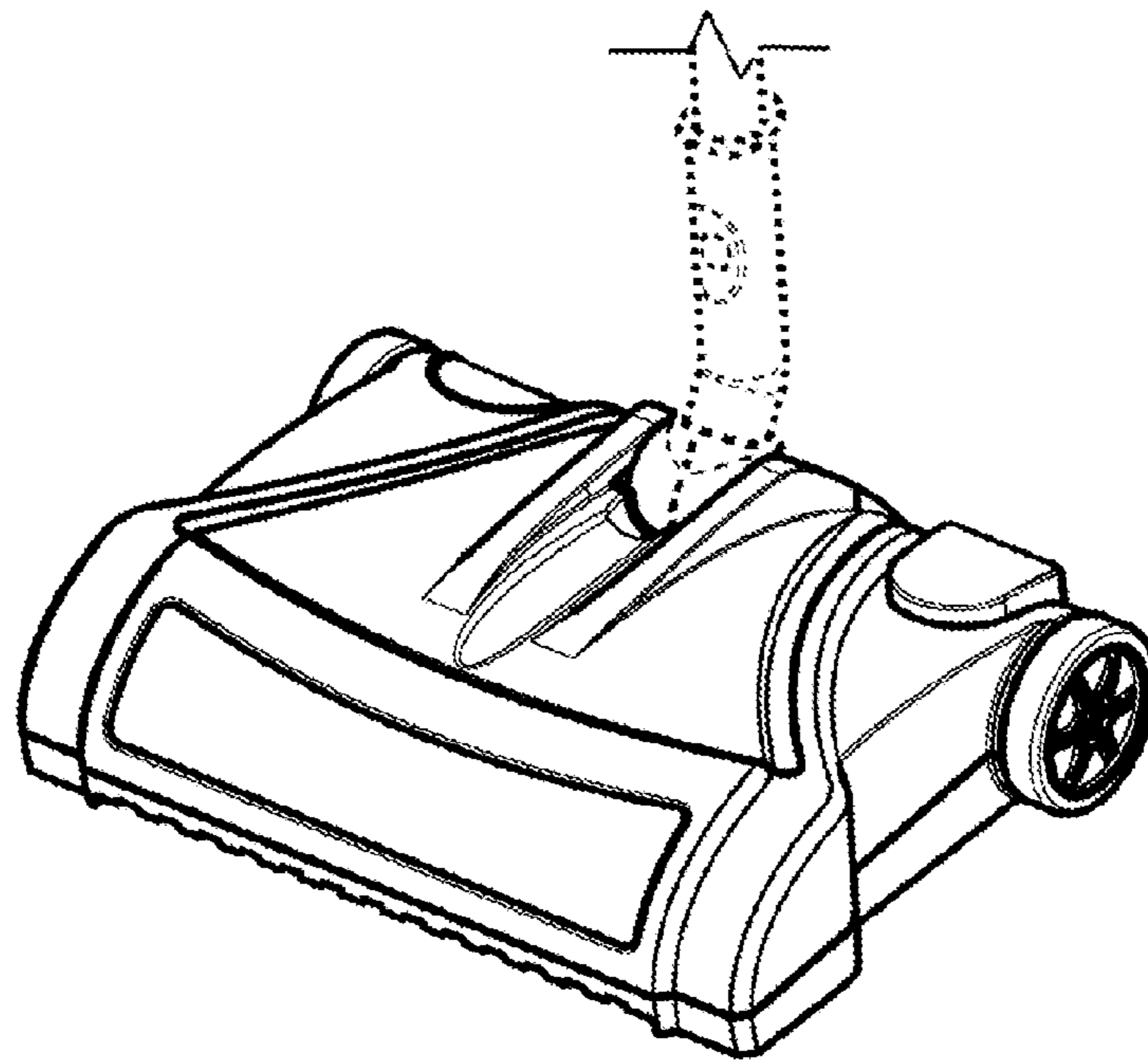


FIGURE 1

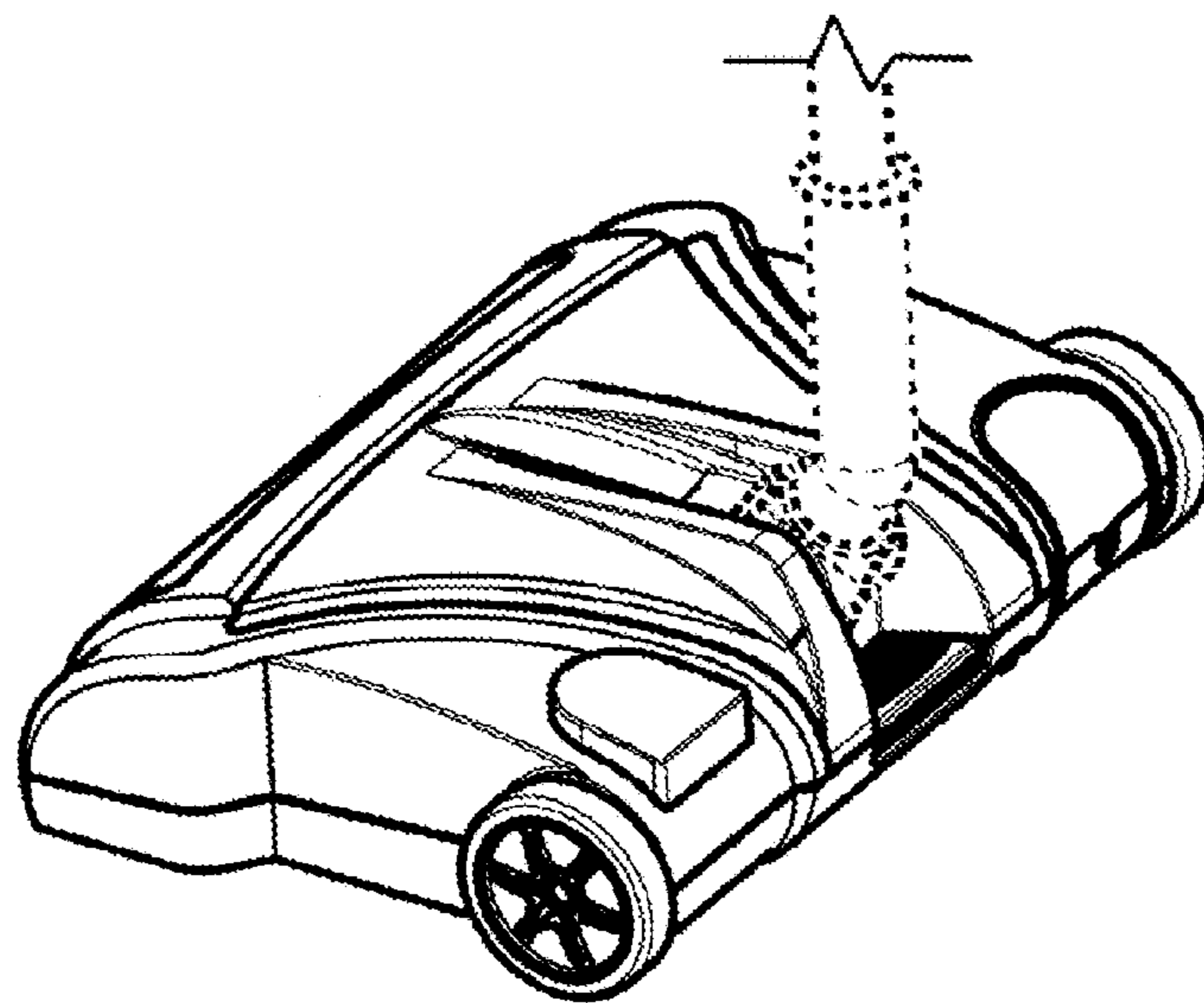


FIGURE 2

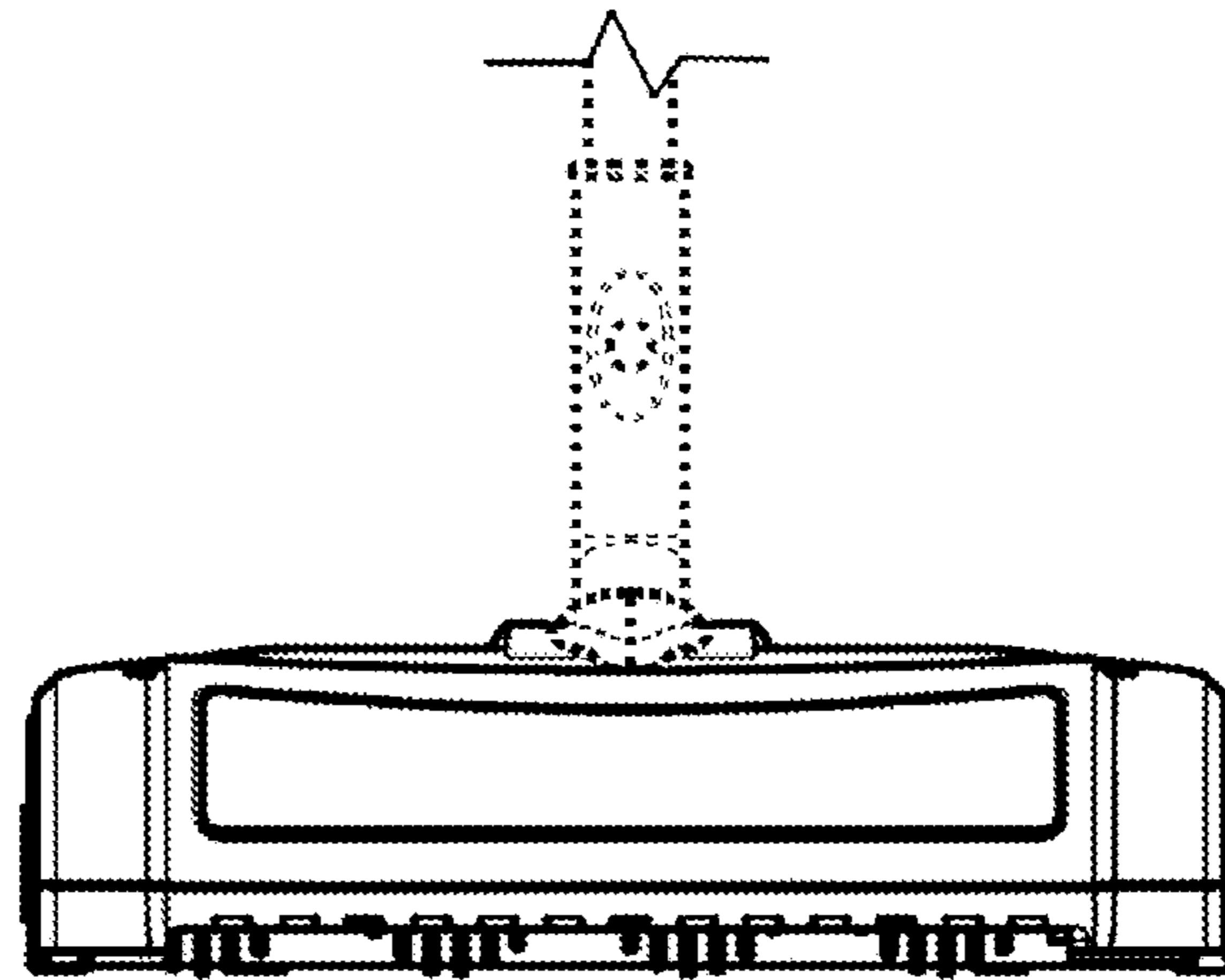


FIGURE 3

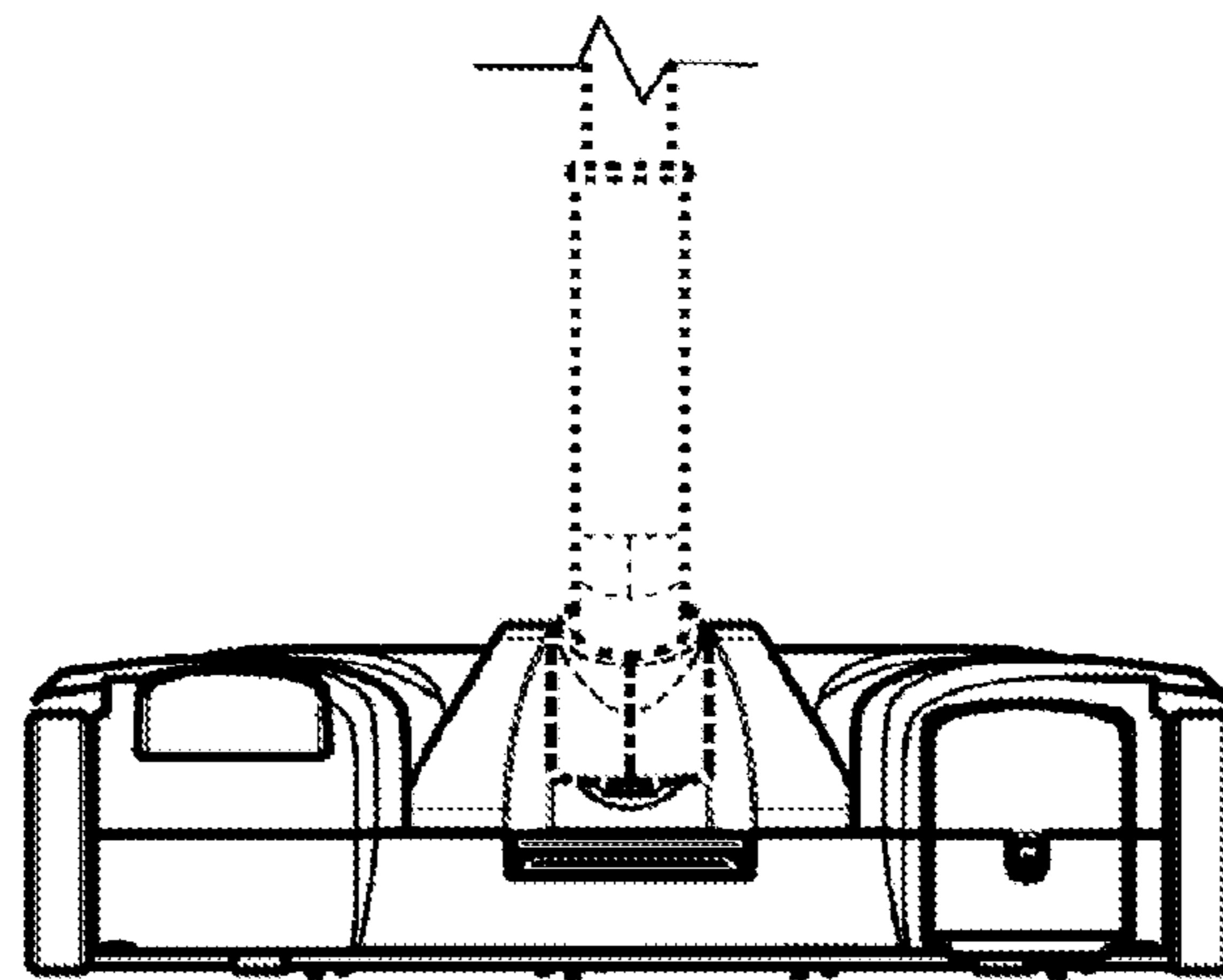


FIGURE 4

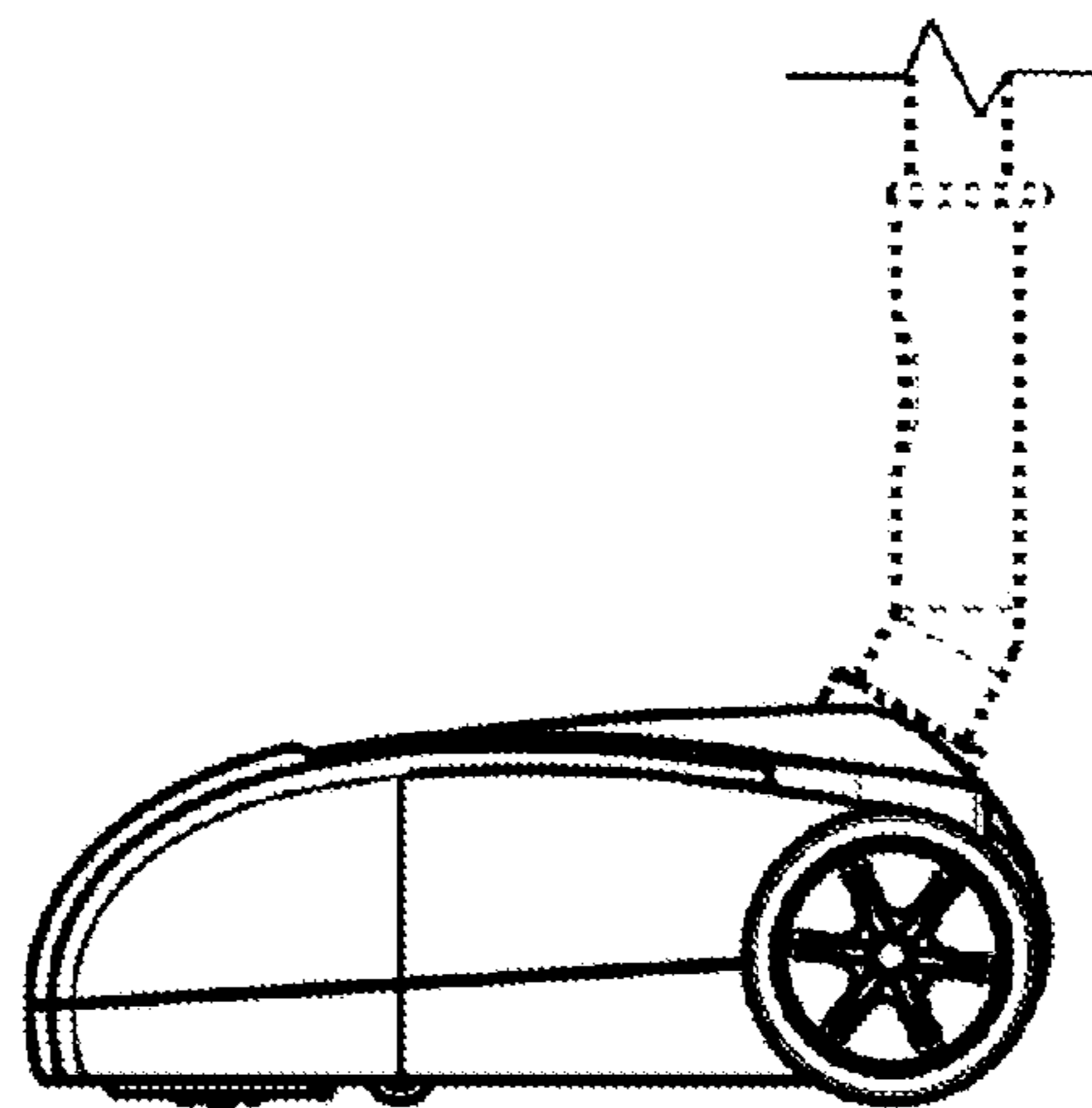


FIGURE 5

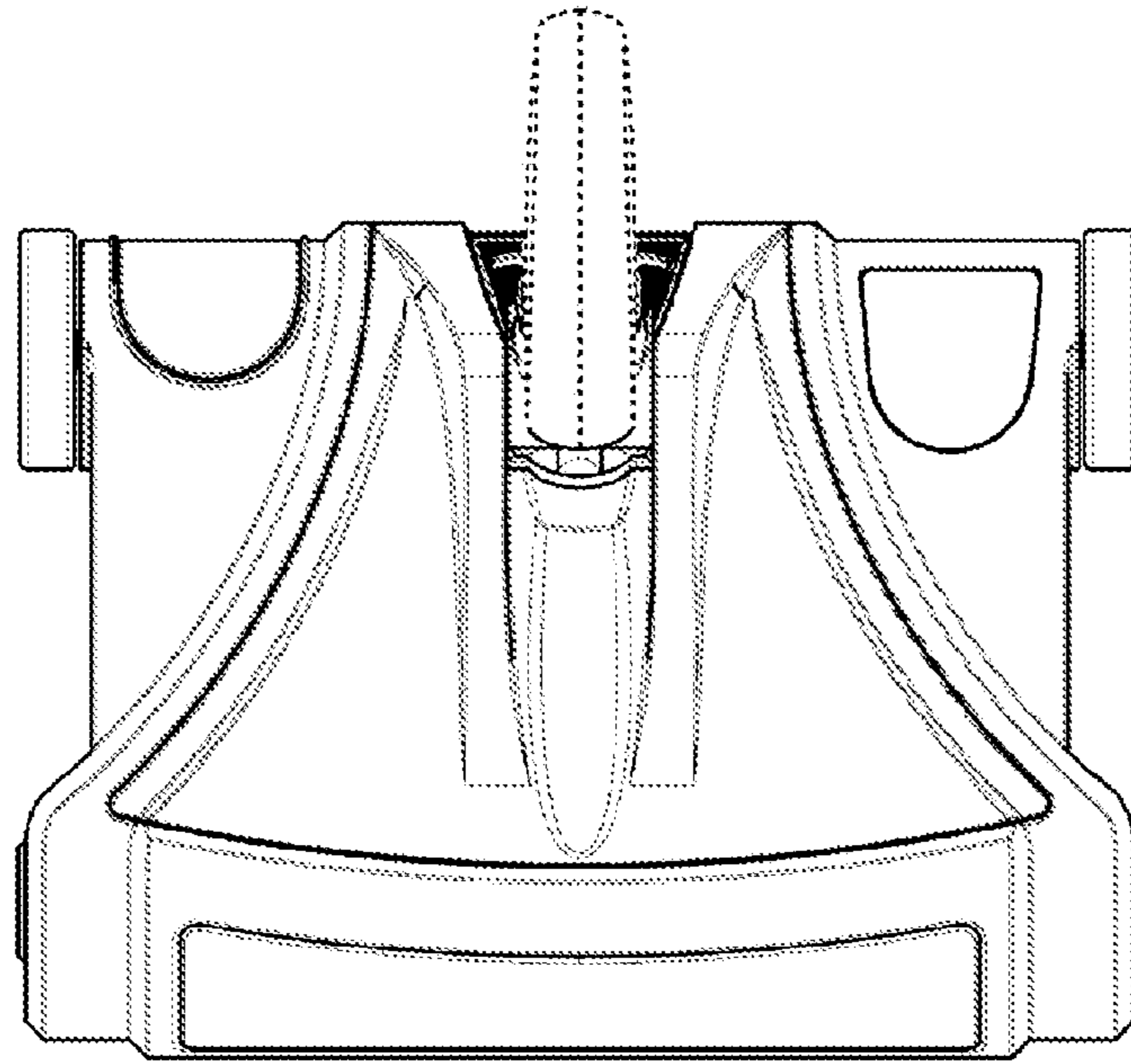


FIGURE 6

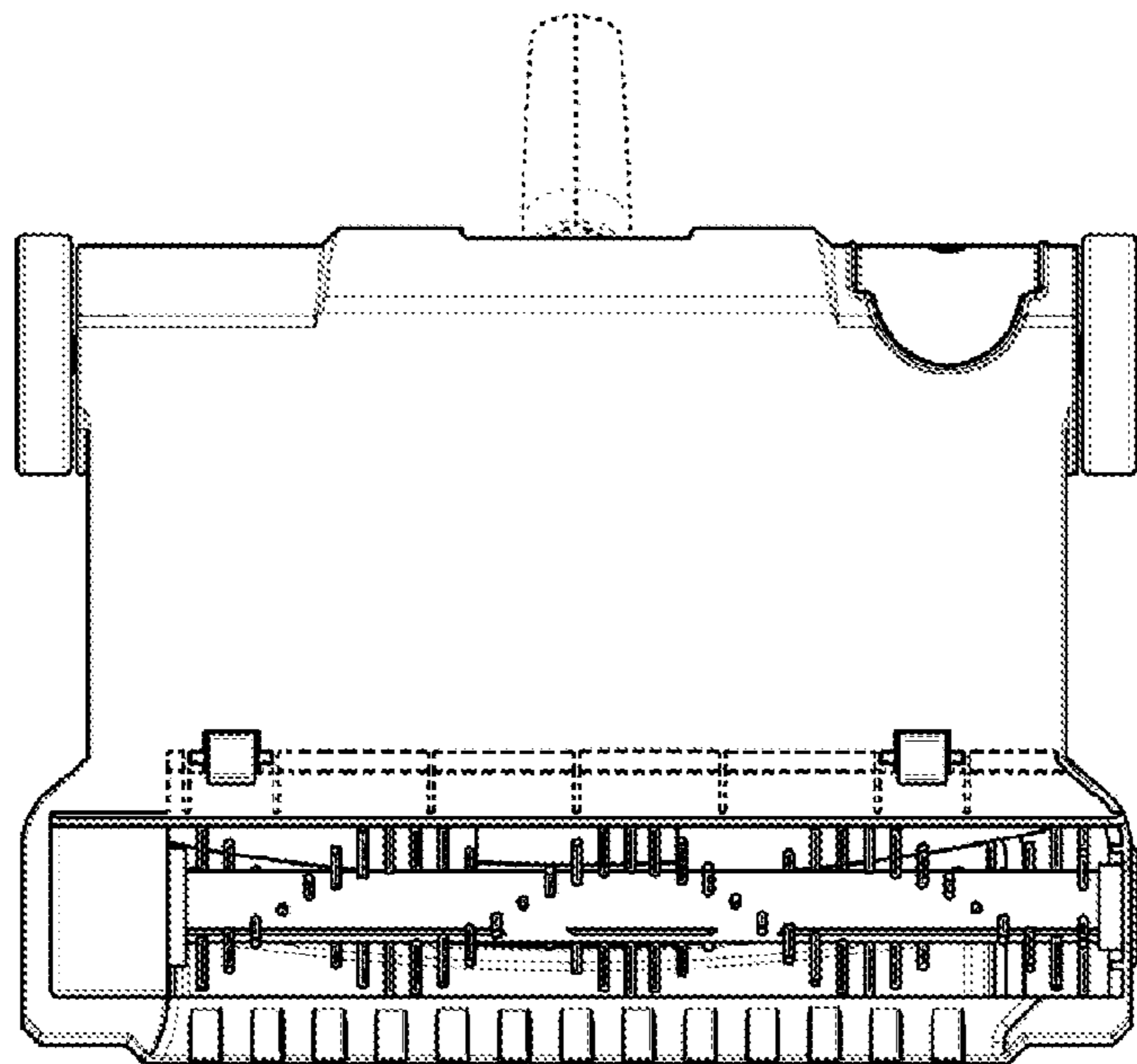


FIGURE 7