

US00D693525S

(12) **United States Design Patent**
Osborne

(10) **Patent No.:** **US D693,525 S**

(45) **Date of Patent:** **** Nov. 12, 2013**

(54) **HORSE ORTHOTIC**

(76) Inventor: **Robert Clark Osborne**, Lakeside, CA
(US)

(**) Term: **14 Years**

(21) Appl. No.: **29/429,133**

(22) Filed: **Aug. 7, 2012**

4,892,150 A	1/1990	Thoman
4,982,797 A	1/1991	Monticello
5,042,585 A	8/1991	Fox et al.
5,105,892 A	4/1992	Seesholtz
5,253,715 A	10/1993	Ovniczek
5,330,008 A	7/1994	Sigafoos et al.
5,358,256 A	10/1994	Kraemer
5,439,062 A	8/1995	Ovniczek
5,636,697 A	6/1997	Pitchford
5,638,905 A	6/1997	Sigafoos et al.
5,699,861 A	12/1997	Sigafoos
5,727,633 A	3/1998	Ovniczek
6,062,008 A	5/2000	Nor

(Continued)

Related U.S. Application Data

(63) Continuation of application No. 13/480,975, filed on May 25, 2012, which is a continuation of application No. 12/535,258, filed on Aug. 4, 2009, now Pat. No. 8,186,447.

(51) **LOC (9) Cl.** **30-01**

(52) **U.S. Cl.**
USPC **D30/149**

(58) **Field of Classification Search**
USPC D30/145-150; 54/82; 168/1-3, 12, 17,
168/18, 26, 14; 36/111
See application file for complete search history.

(56) **References Cited**

U.S. PATENT DOCUMENTS

D30,968 S	6/1899	Howe
798,598 A	9/1905	Conn
866,127 A	9/1907	Glassbrooke
1,148,886 A	8/1915	Bird
1,212,266 A	1/1917	Schrader
D86,590 S	1/1932	Adams
2,045,845 A	9/1935	Flick
2,079,736 A	11/1935	Frazier
D125,788 S	7/1940	Singer
2,506,932 A	11/1945	McAfee
2,497,410 A	8/1948	Kettig
D213,009 S	12/1968	Martz
D229,951 S	1/1974	Poole
4,265,454 A	5/1981	Bayless
4,346,762 A	8/1982	Tovim

OTHER PUBLICATIONS

Andrews, Mark, Equine Science Update, http://www.imprints shoes.co.uk/equine_science_update.htm (article originally appeared in Equine Science Update, Apr. 2002, Poynton Ltd, Wiltshire, UK).

(Continued)

Primary Examiner — Susan M Lee
Assistant Examiner — Linda Brooks

(74) *Attorney, Agent, or Firm* — Knobbe, Martens, Olson & Bear, LLP

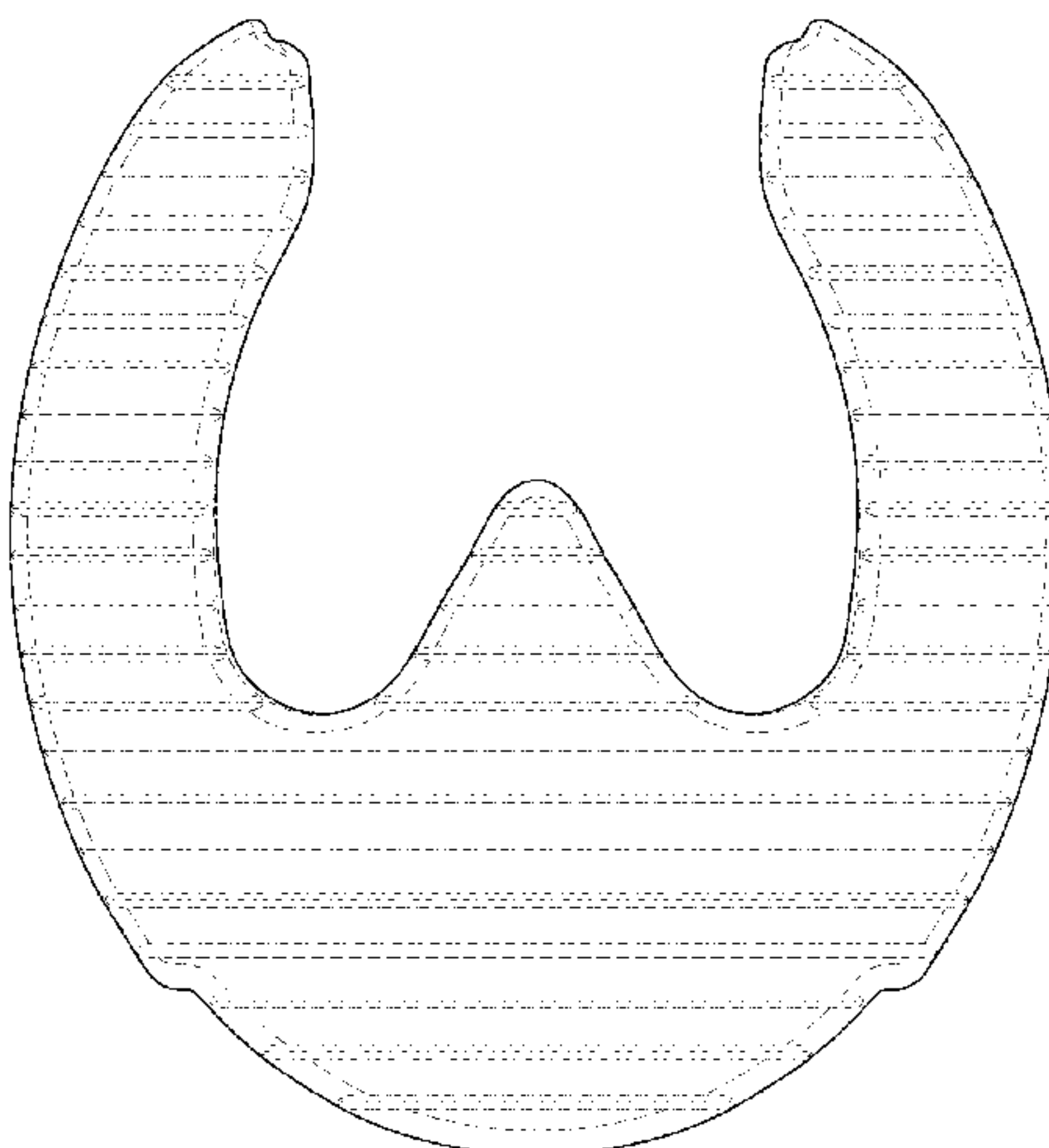
(57) **CLAIM**

The ornamental design for a horse orthotic, as shown and described.

DESCRIPTION

FIG. 1 is a bottom view of a horse orthotic configured in accordance with the present invention;
FIG. 2 is a side view thereof;
FIG. 3 is a perspective view thereof;
FIG. 4 is a top view thereof;
FIG. 5 is a front view thereof; and,
FIG. 6 is a back view thereof.
The broken lines illustrate unclaimed features.

1 Claim, 6 Drawing Sheets



(56)

References Cited

U.S. PATENT DOCUMENTS

6,305,328	B1	10/2001	Marquis
6,651,410	B2	11/2003	Osha et al.
6,694,713	B1	2/2004	MacDonald
6,761,224	B2	7/2004	McLane
6,868,656	B2	3/2005	Osha et al.
7,032,367	B1	4/2006	Yoho
7,174,858	B2	2/2007	Ford
7,178,321	B2	2/2007	Ruetenik
7,207,163	B2	4/2007	Maestrini
7,789,394	B2	9/2010	Lendvay
7,806,194	B2	10/2010	Vaillant
2005/0126793	A1	6/2005	McCuan et al.
2009/0120650	A1	5/2009	Daine

OTHER PUBLICATIONS

Craig, Monique, Shoeing Founder With Plastic Shoes, EponaShoe, <http://www.eponashoe.com/Documents/ShoeFounderPlastic.htm>, (article originally appeared in American Farrier's Journal, Sep./Oct. 2005 and European Farrier's Journal #115, 2005).

Summit Products, Advertisement for Grand Circuit Denoix Line of Corrective Shoes appearing in American Farriers Journal, p. 17, Jan./Feb. 2011.

Treating Laminitis With The Imprint Therapeutic Shoe, Imprint+Equine Foot Care, http://www.imprintshoes.co.uk/articles/treating_laminitis_horse_health_magazine.htm (article originally appeared in Horse Health Magazine, Feb./Mar. 2006, Poynton Ltd, Wiltshire, UK).

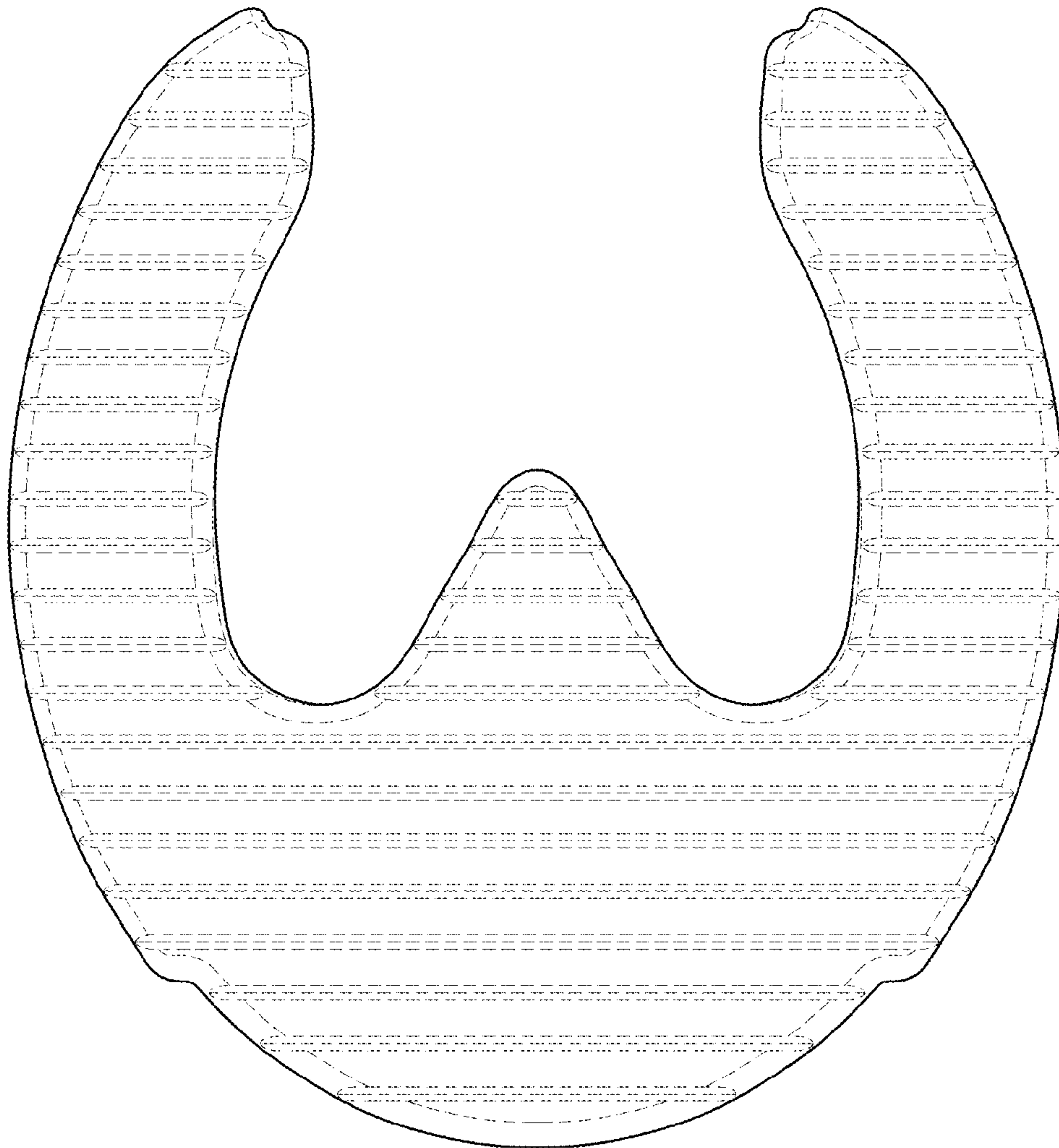


FIG. 1

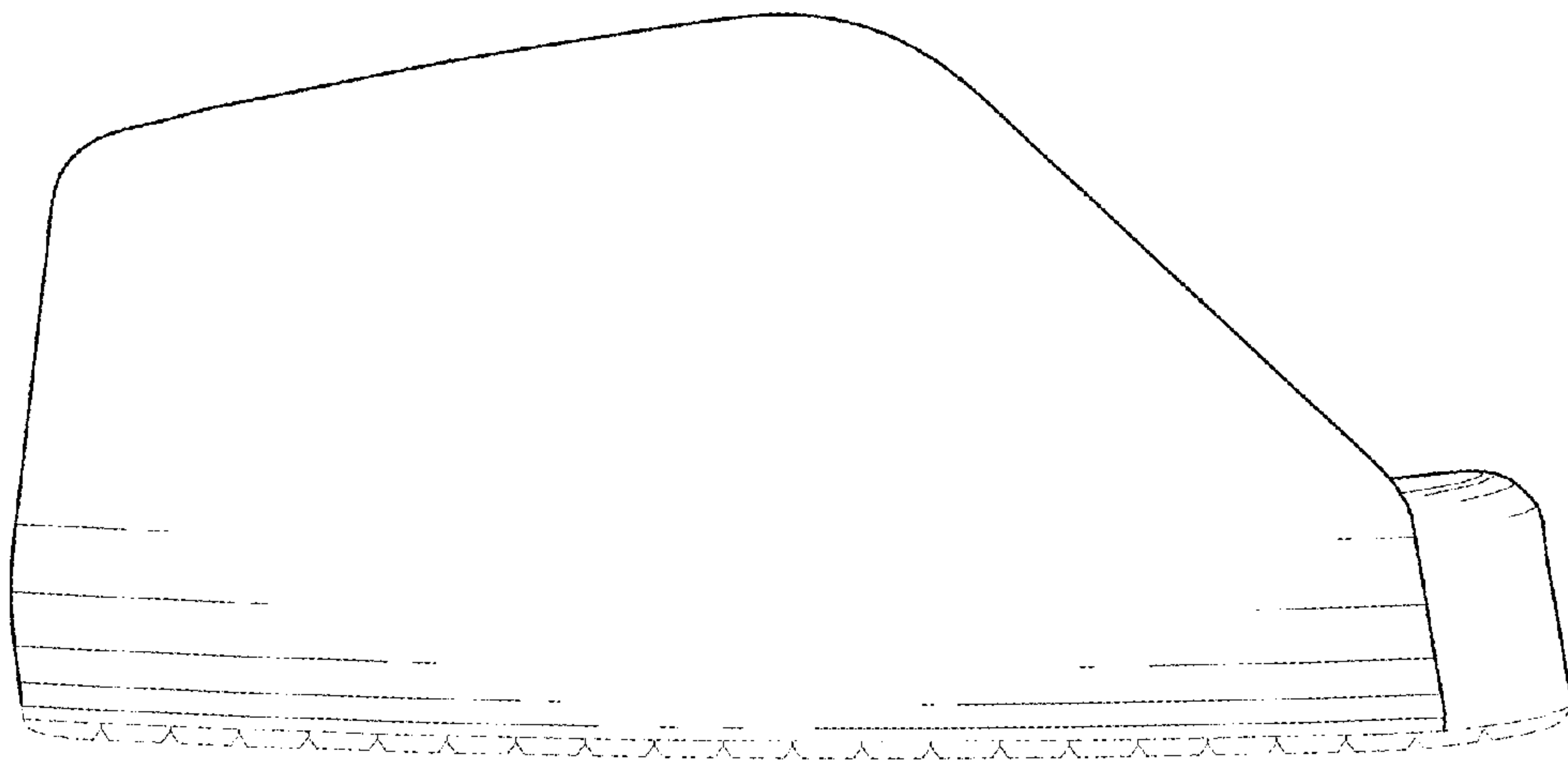


FIG. 2

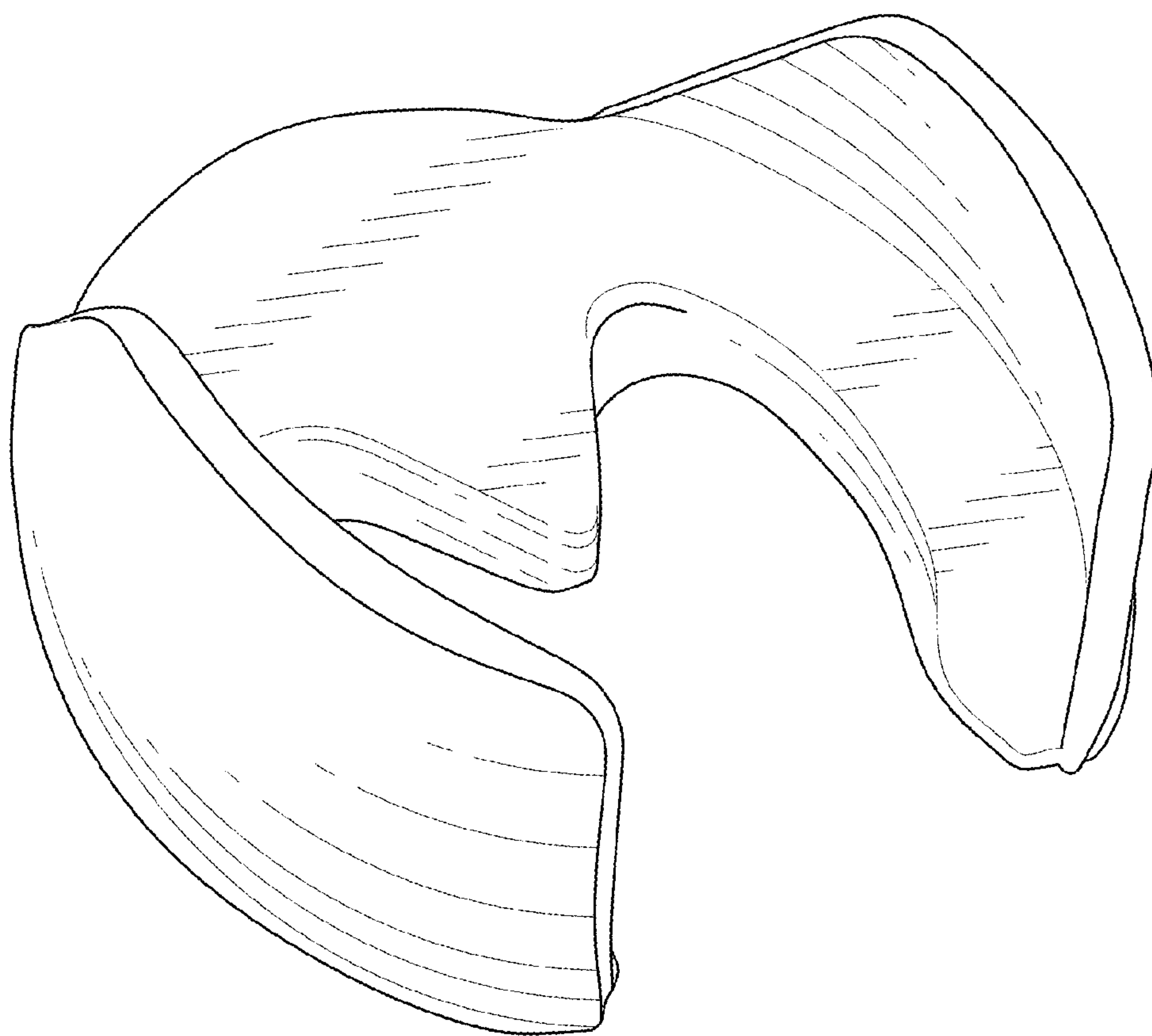


FIG. 3



FIG. 4

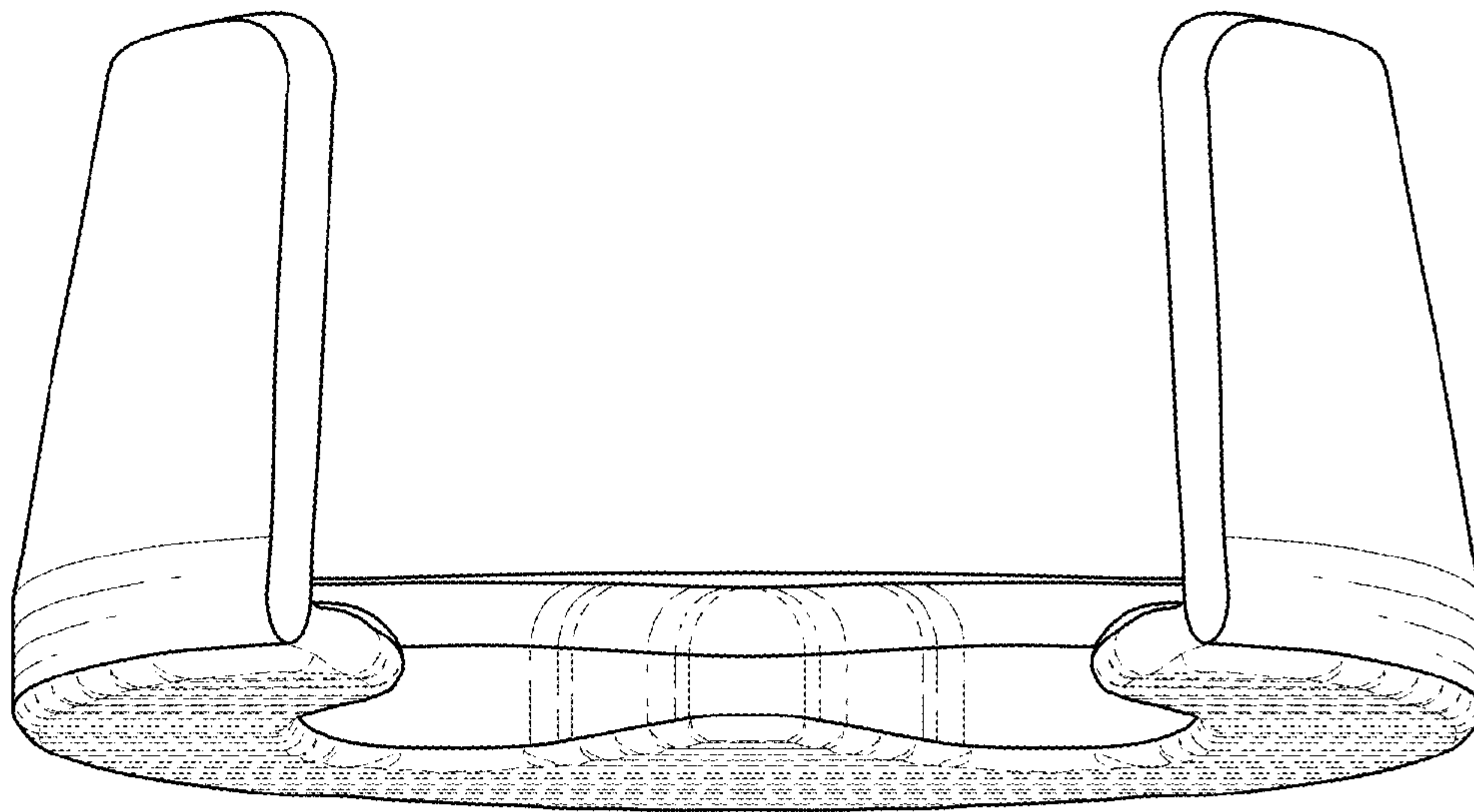


FIG. 5

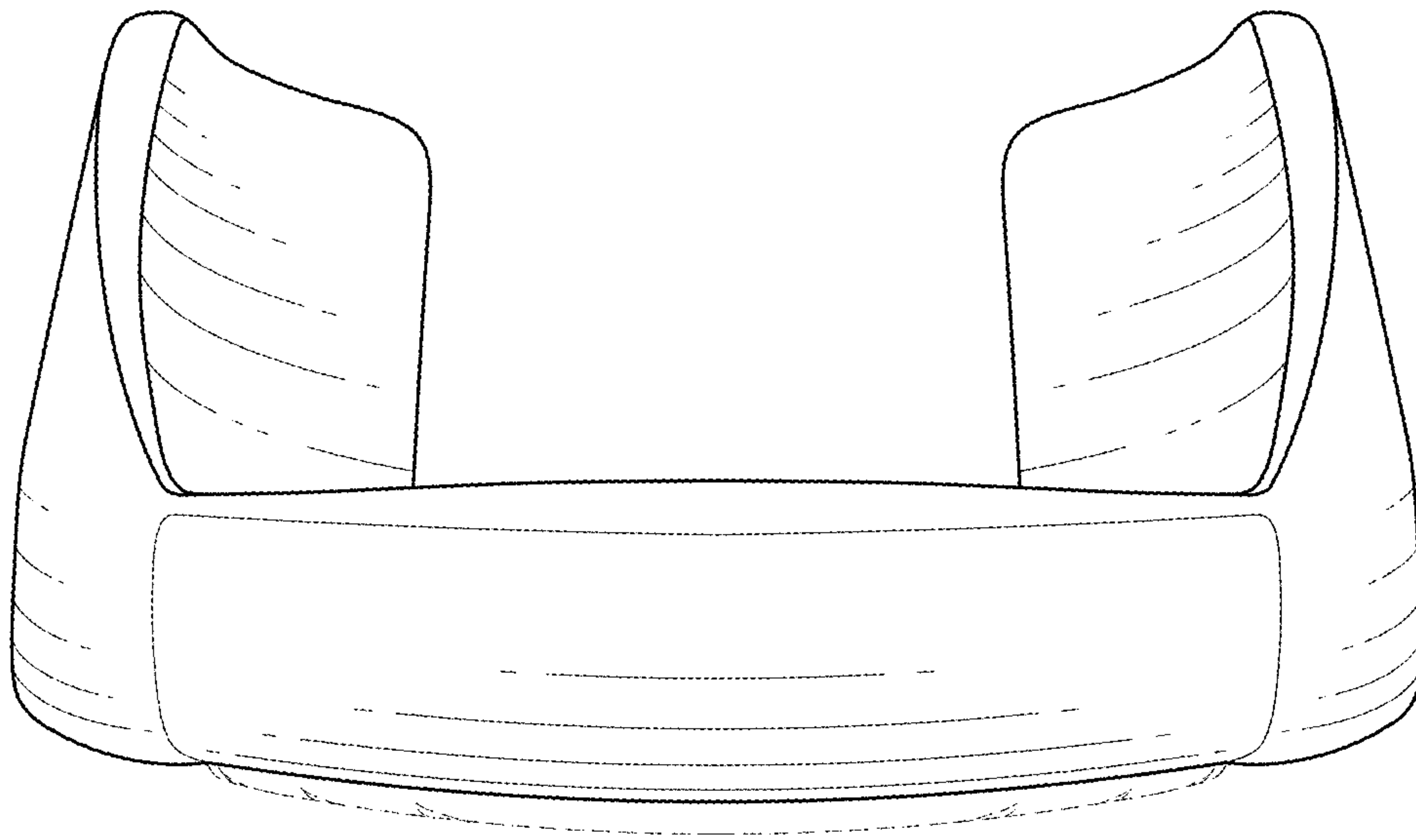


FIG. 6