



US00D693520S

(12) **United States Design Patent**
Xu

(10) **Patent No.:** **US D693,520 S**
(45) **Date of Patent:** **** Nov. 12, 2013**

(54) **BULLNOSE TANK WITH LED LAMP**

(75) Inventor: **Huazhao Xu**, Baolong Industrial (CN)

(73) Assignee: **Shenzhen Xingrisheng Industrial Co., Ltd.**, Shenzhen (CN)

(**) Term: **14 Years**

(21) Appl. No.: **29/424,993**

(22) Filed: **Jun. 19, 2012**

(30) **Foreign Application Priority Data**

Dec. 22, 2011 (CN) 2011 3 0494338

(51) **LOC (9) Cl.** **30-02**

(52) **U.S. Cl.**
USPC **D30/104; D26/51**

(58) **Field of Classification Search**
USPC D30/101-107; D26/51, 56, 61, 63;
D11/145; 119/246-247, 253, 256,
119/266-267, 245; 362/101, 413, 418, 555,
362/612, 806
See application file for complete search history.

(56) **References Cited**

U.S. PATENT DOCUMENTS

D231,008 S * 3/1974 Hullender D26/51
D291,426 S * 8/1987 Husbands D11/145

D295,085 S * 4/1988 Culley D26/51
5,353,746 A * 10/1994 Del Rosario 119/266
D397,521 S * 8/1998 Gomi D30/101
7,543,952 B1 * 6/2009 Chang 362/101
D617,483 S * 6/2010 Fredricks D26/51
8,057,060 B2 * 11/2011 Fredricks 362/101
8,113,147 B1 * 2/2012 Wang 119/267
2008/0316732 A1 * 12/2008 Blake 362/101

FOREIGN PATENT DOCUMENTS

CN 301286976 * 11/2009

* cited by examiner

Primary Examiner — Wan Laymon

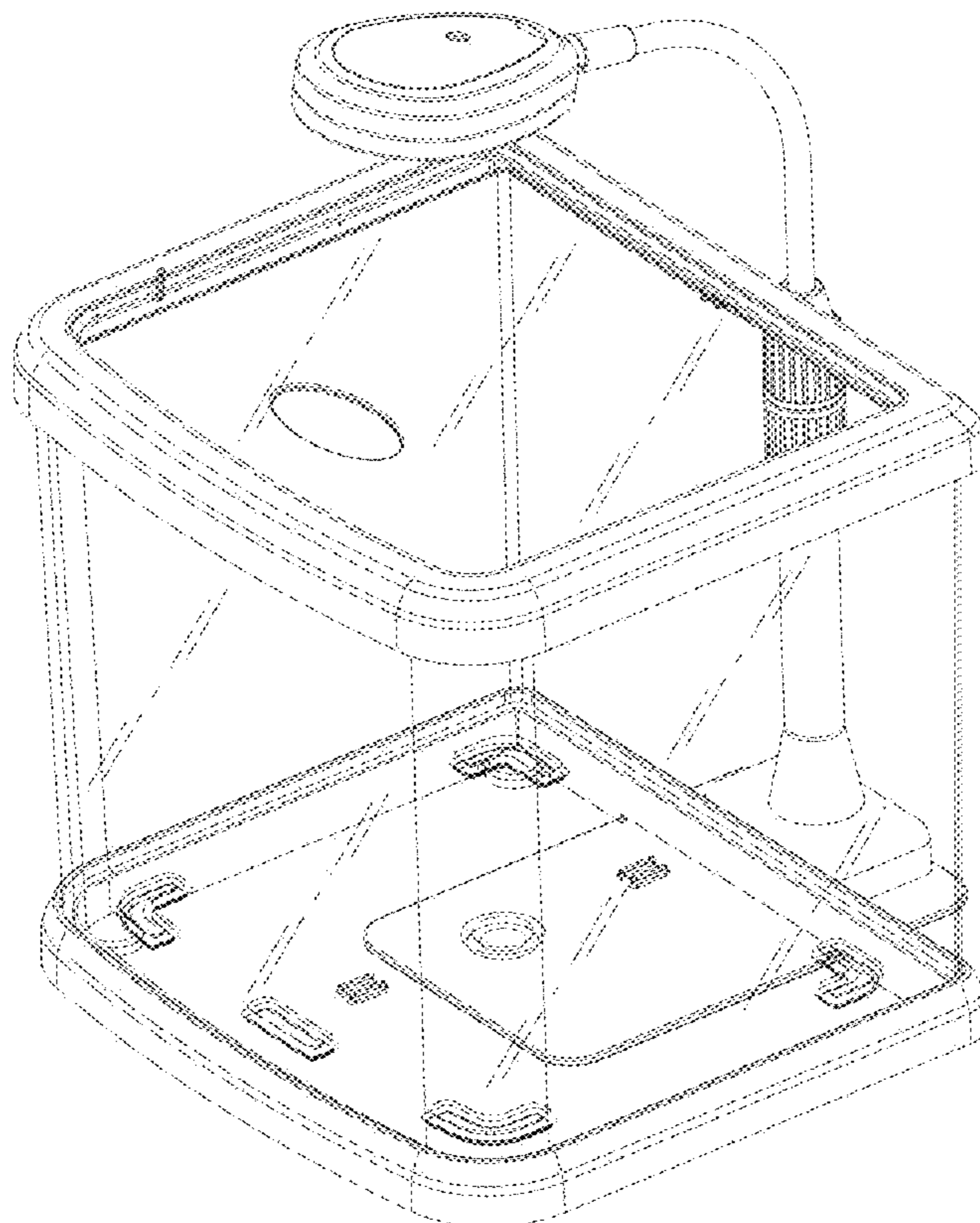
(57) **CLAIM**

The ornamental design for a bullnose tank with LED lamp, as shown and described.

DESCRIPTION

FIG. 1 is a perspective view showing my new design;
FIG. 2 is a front plan view thereof;
FIG. 3 is a back plan view thereof.
FIG. 4 is a left plan view thereof;
FIG. 5 is a right plan view thereof; and,
FIG. 6 is a downward plan view thereof.
The broken lines shown in FIG. 2 represent portions of the tank with LED lamp that form no part of the claimed design.

1 Claim, 6 Drawing Sheets



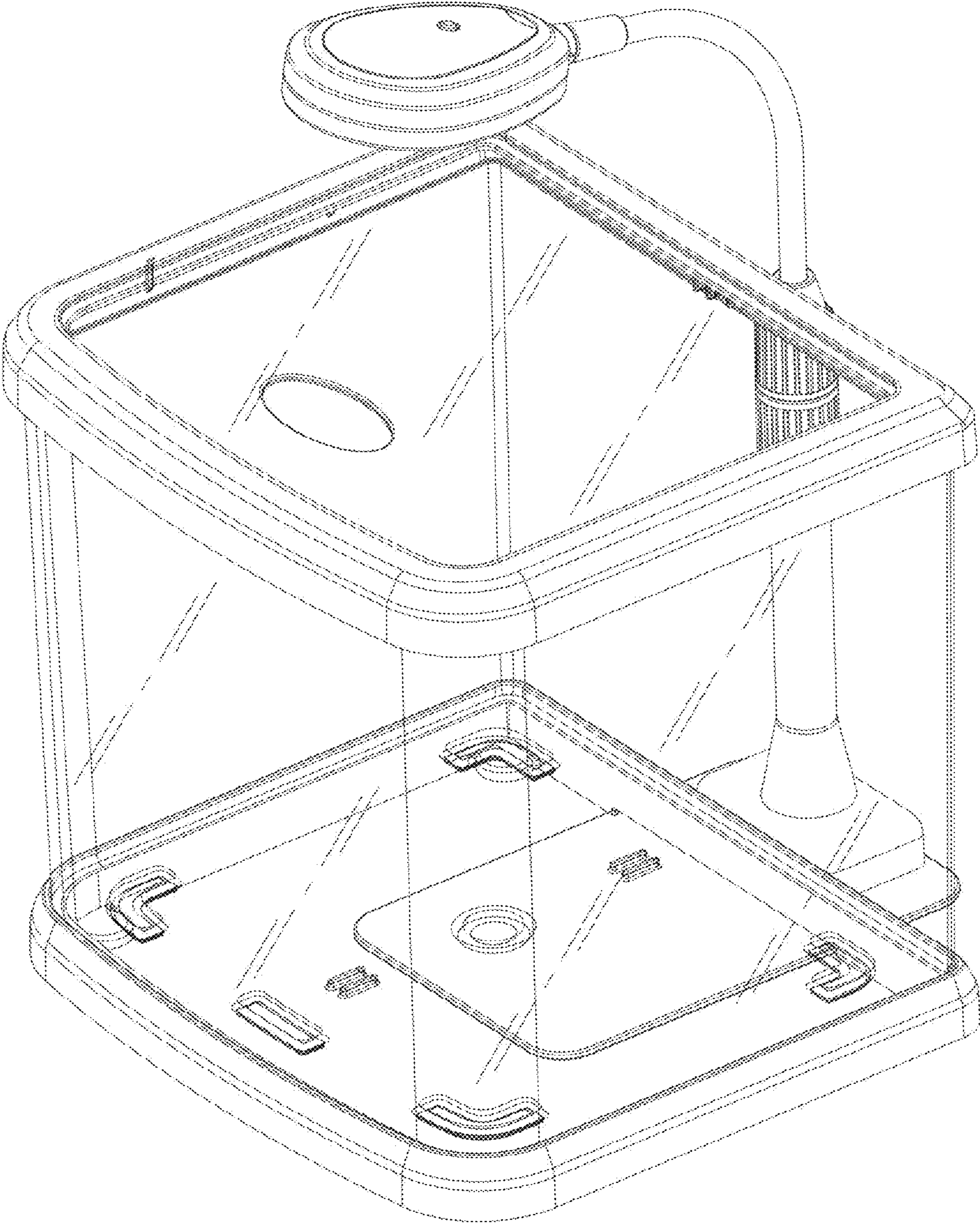


Figure 1

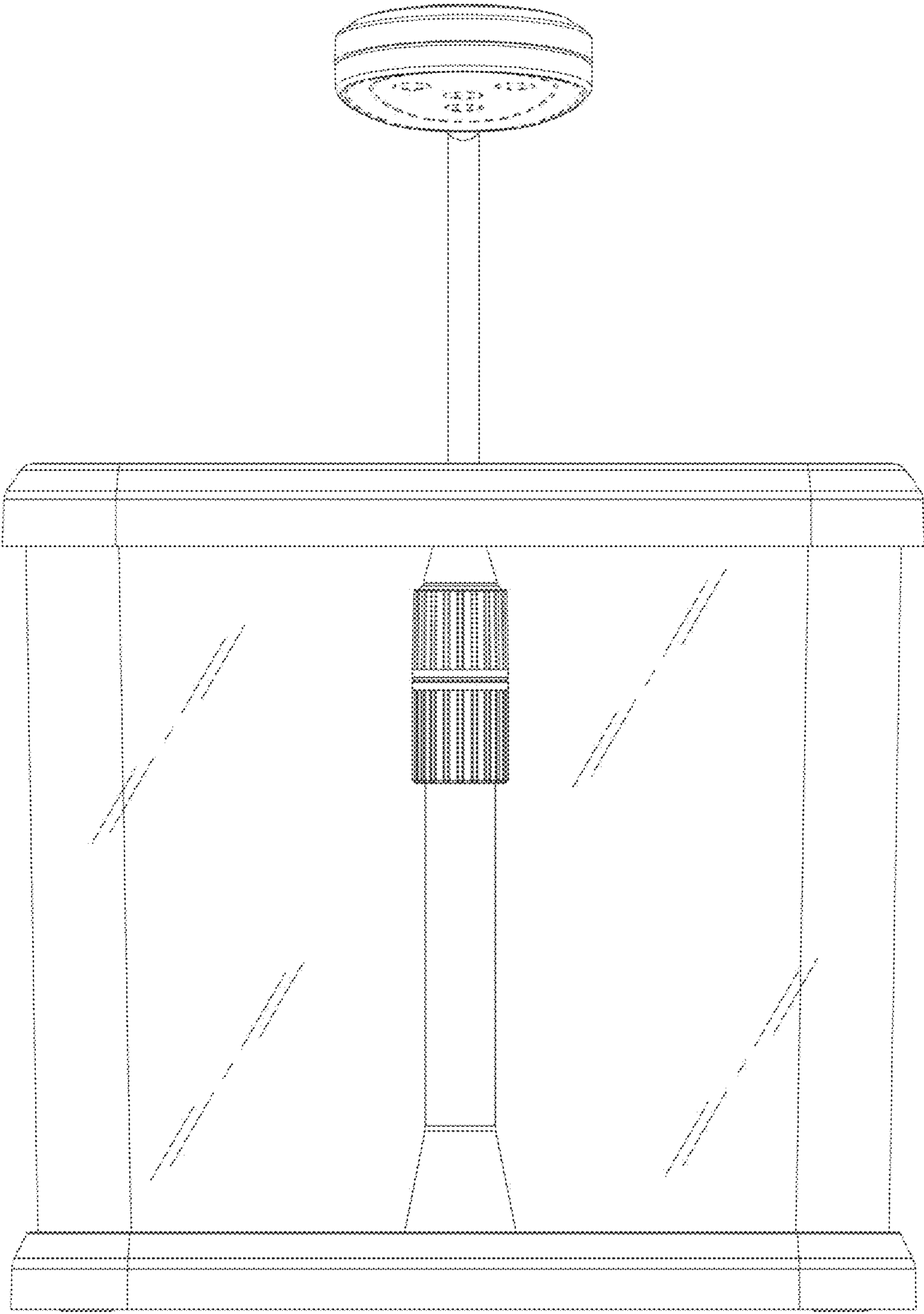


Figure 2

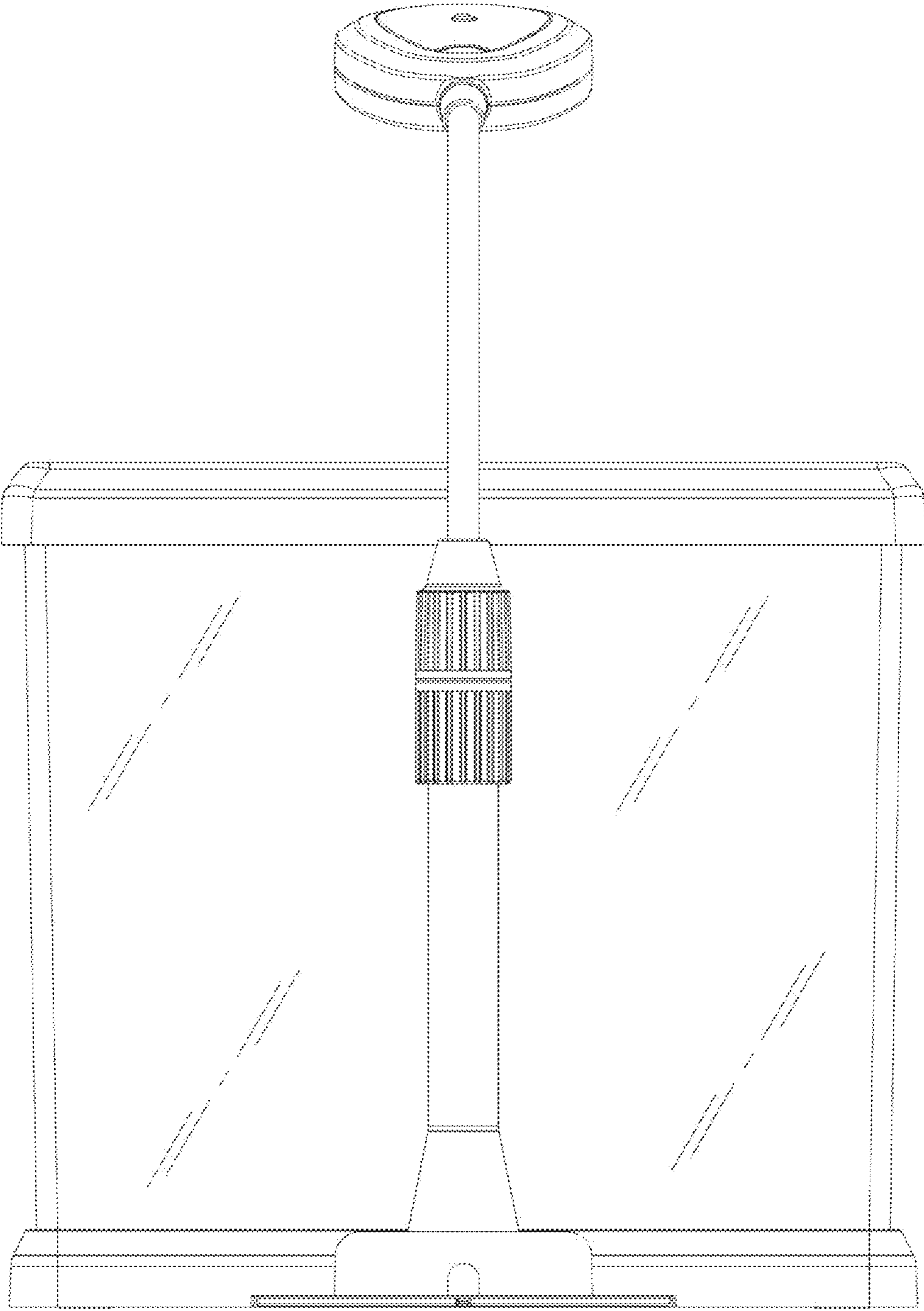


Figure 3

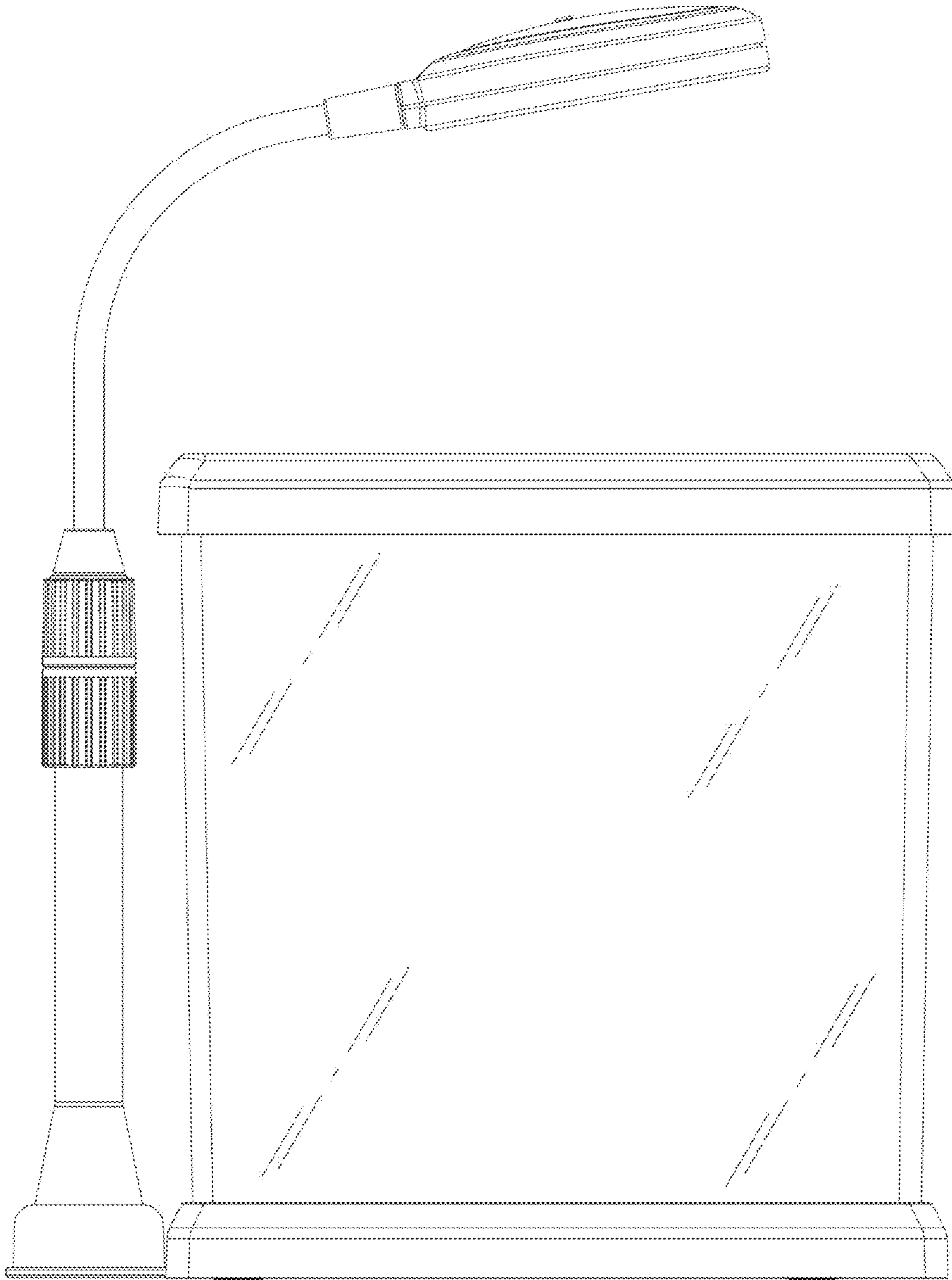


Figure 4

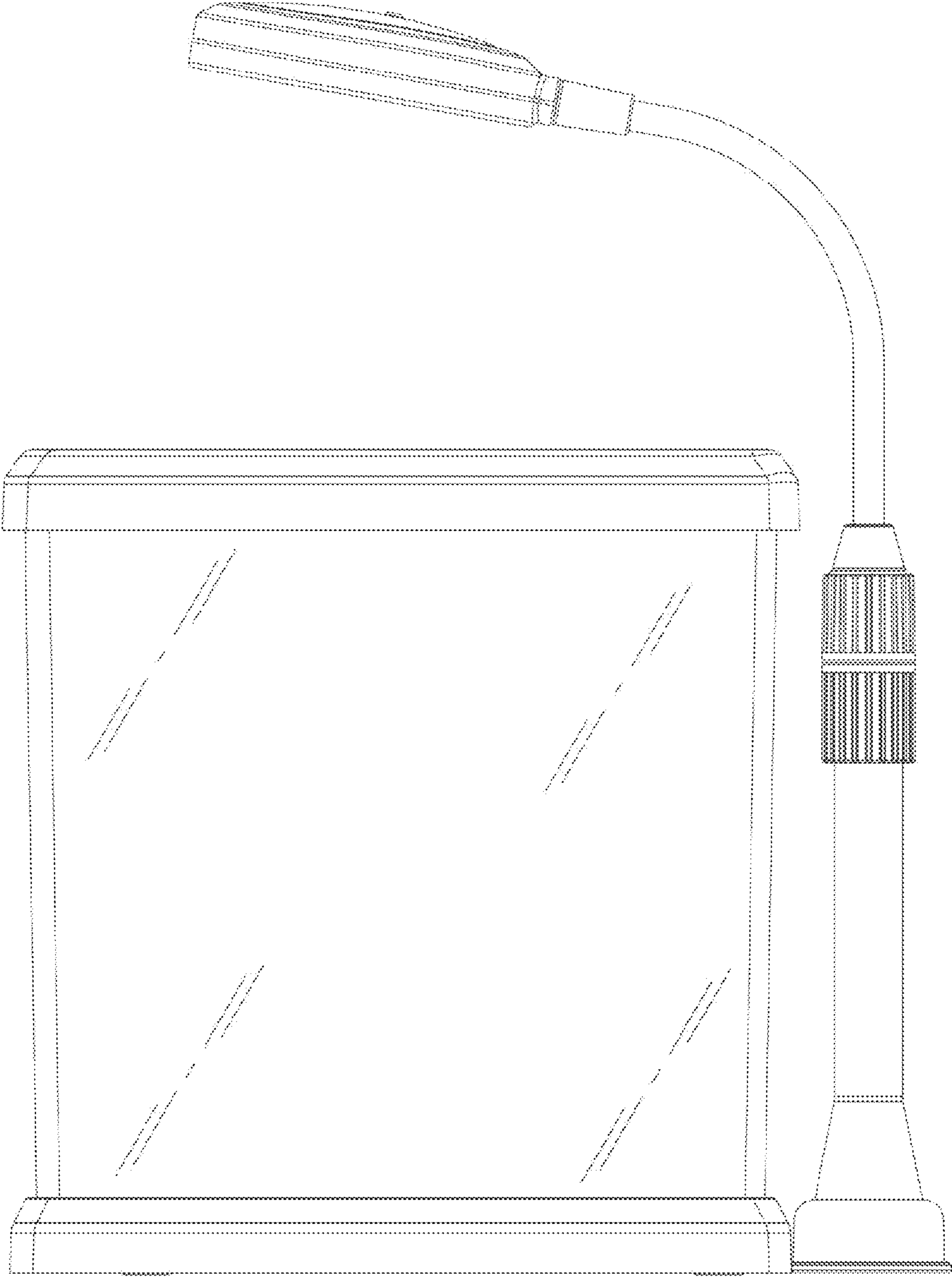


Figure 5

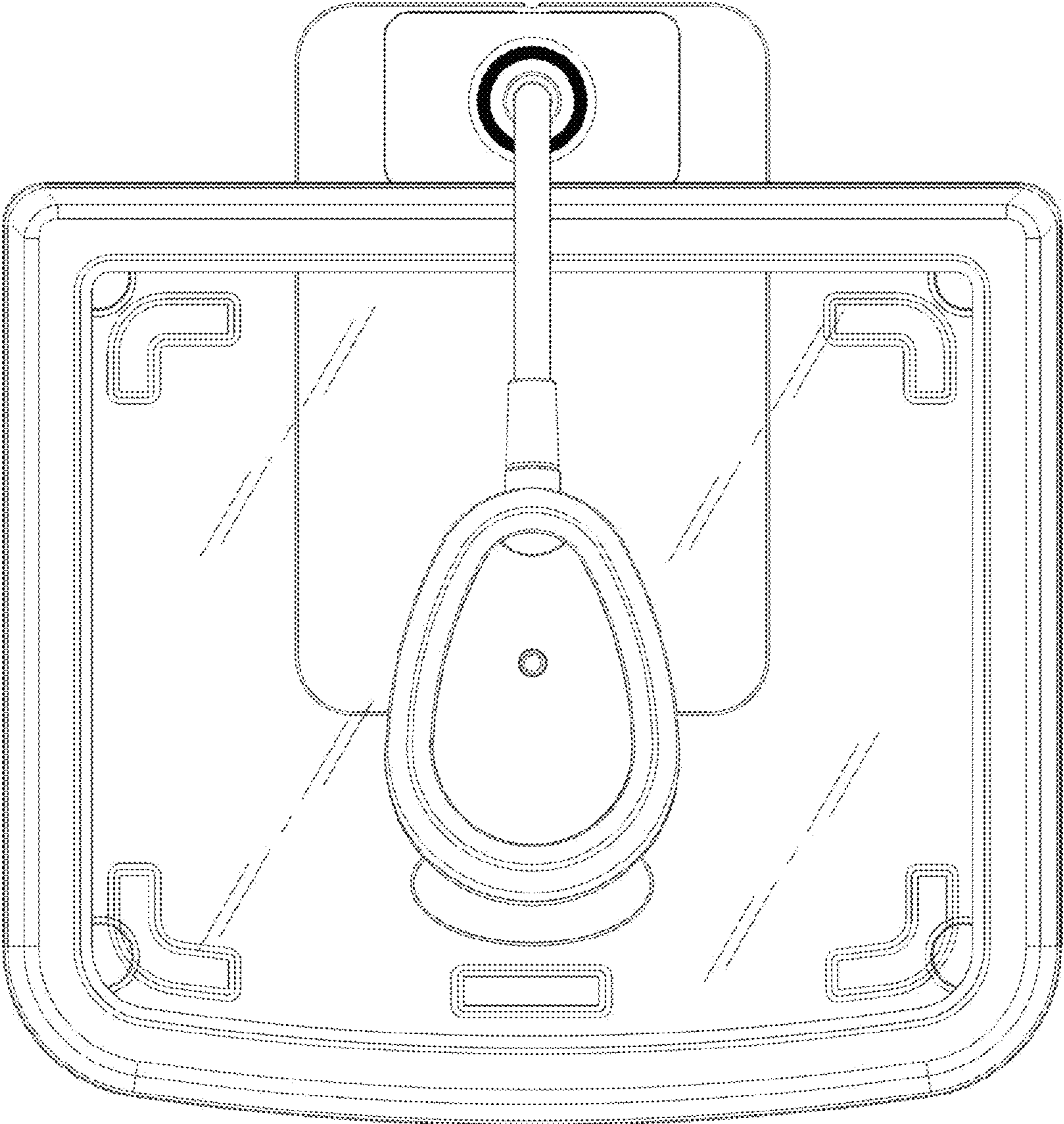


Figure 6