



US00D693514S

(12) **United States Design Patent**  
**Mueller**

(10) **Patent No.:** **US D693,514 S**

(45) **Date of Patent:** **\*\* Nov. 12, 2013**

(54) **LIGHTS**

(76) Inventor: **Dietmar Mueller**, Schwarzenfeld (DE)

(\*\*) Term: **14 Years**

(21) Appl. No.: **29/374,575**

(22) Filed: **Sep. 1, 2011**

(30) **Foreign Application Priority Data**

Mar. 4, 2011 (EM) ..... 001830951-0001

(51) **LOC (9) Cl.** ..... **26-03**

(52) **U.S. Cl.**  
USPC ..... **D26/76**

(58) **Field of Classification Search**

USPC ..... D26/1-3, 24, 56, 72, 74-86, 88-91;  
D13/180, 182; 362/150,  
362/217.01-217.05, 217.08, 217.09, 260,  
362/364, 365, 366, 404, 555, 576, 800

See application file for complete search history.

(56) **References Cited**

U.S. PATENT DOCUMENTS

D476,753 S \* 7/2003 Chelf et al. .... D26/3  
D487,527 S \* 3/2004 Sieczkowski ..... D26/76  
D574,093 S \* 7/2008 Kitagawa et al. .... D26/3  
D574,094 S \* 7/2008 Kitagawa et al. .... D26/3  
D633,640 S \* 3/2011 Wauters ..... D26/85  
D663,065 S \* 7/2012 Beghelli ..... D26/76

\* cited by examiner

*Primary Examiner* — Zenia Bennett

(74) *Attorney, Agent, or Firm* — Flynn, Thiel, Boutell & Tanis, P.C.

(57) **CLAIM**

The ornamental design for lights, as shown and described.

**DESCRIPTION**

FIG. 1 is a side perspective view of lights, showing our new design;

FIG. 2 is a top front perspective view thereof;

FIG. 3 is an end elevational view thereof;

FIG. 4 is a top plan view thereof;

FIG. 5 is a right side elevational view thereof;

FIG. 6 is a left side elevational view thereof; and,

FIG. 7 is a bottom elevational view thereof.

**1 Claim, 7 Drawing Sheets**

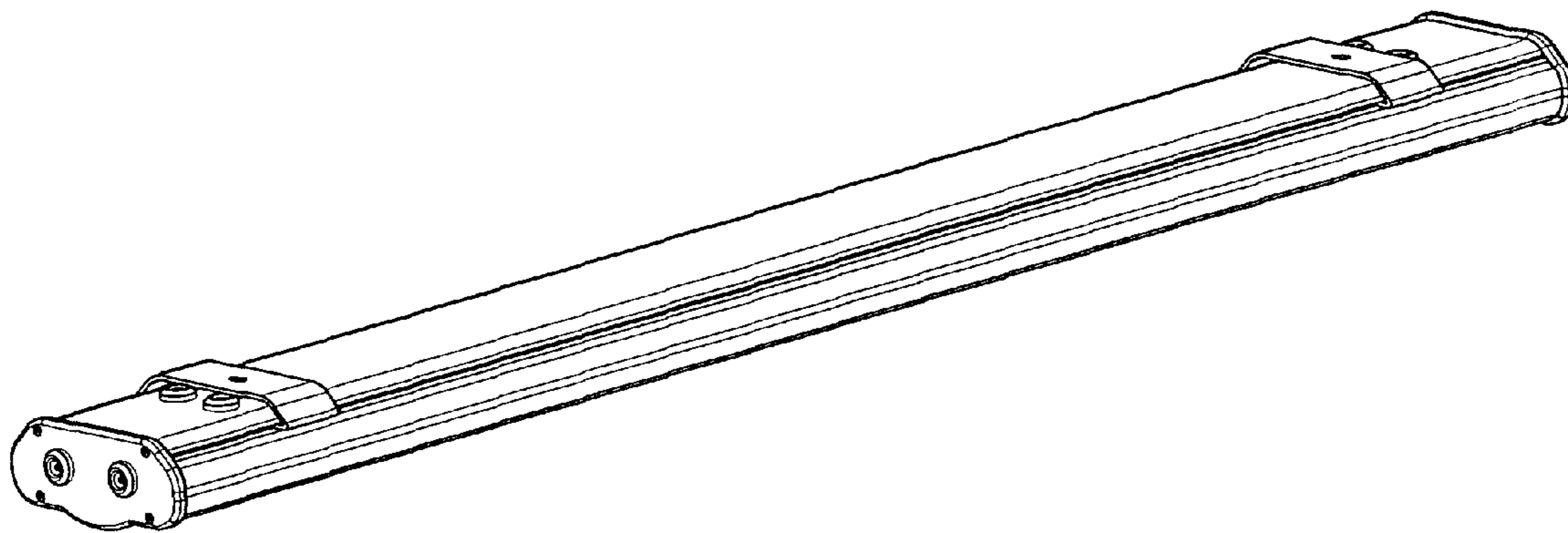




FIG. 1

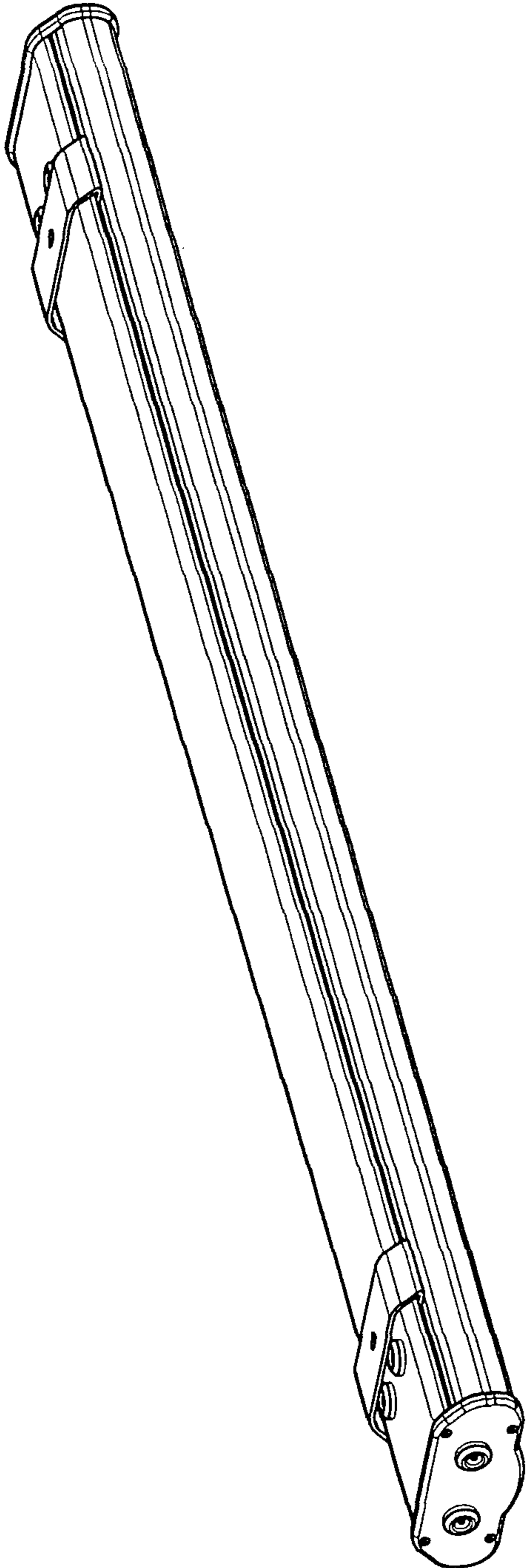


FIG. 2

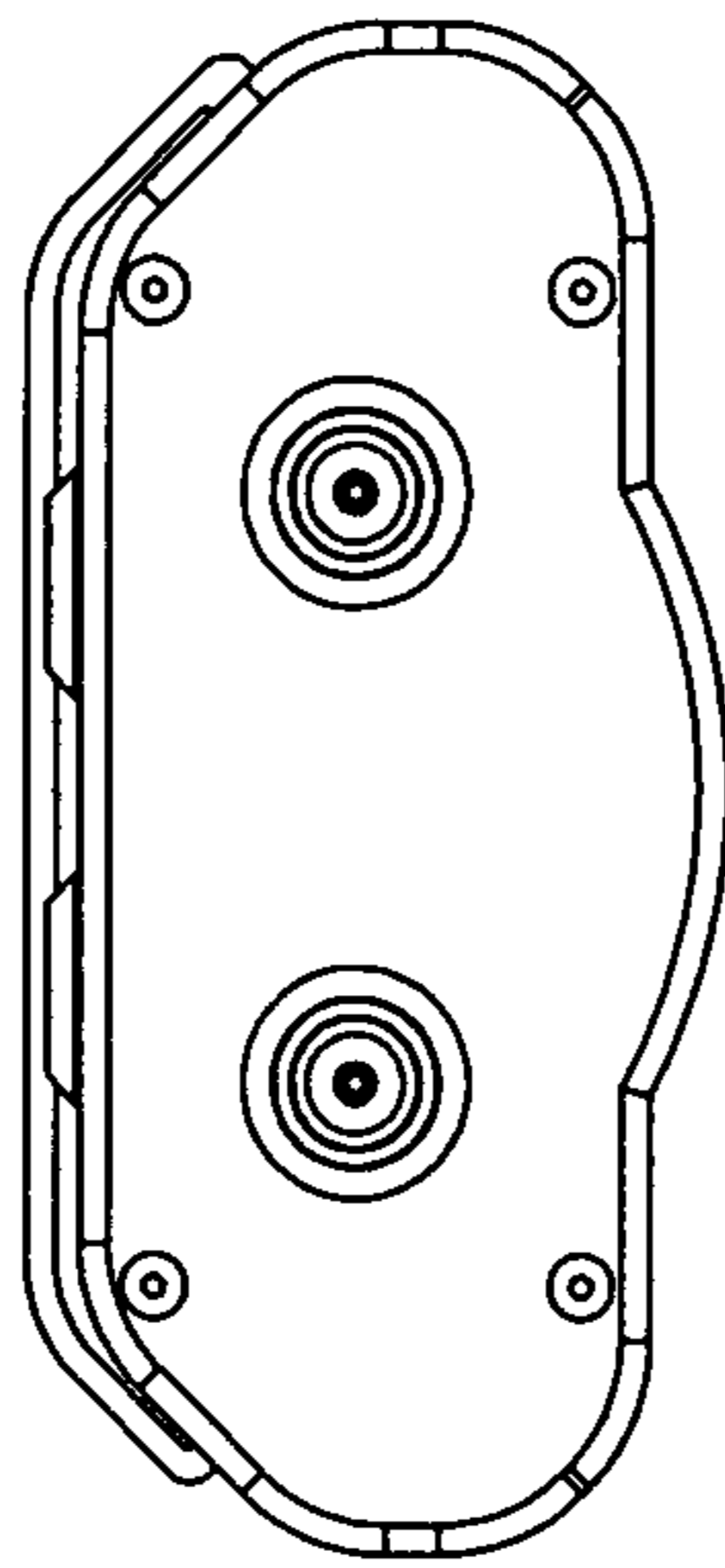


FIG. 3

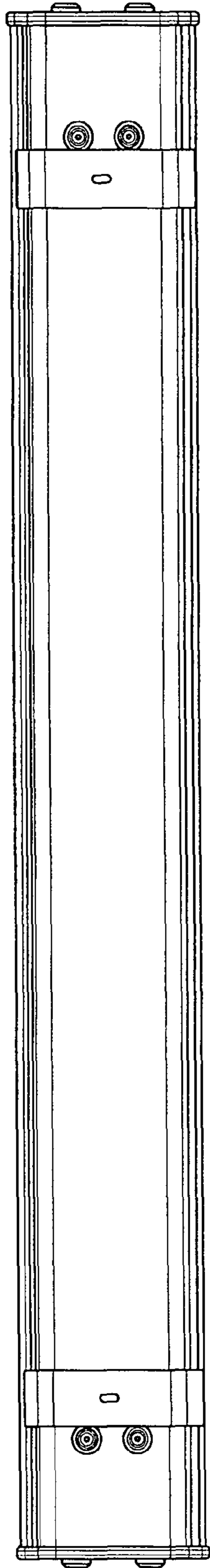


FIG. 4

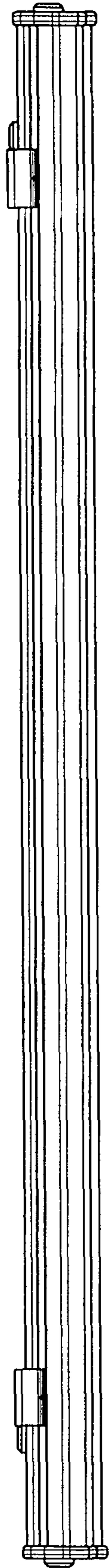


FIG. 5

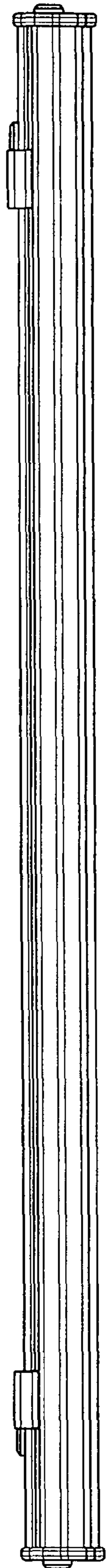


FIG. 6

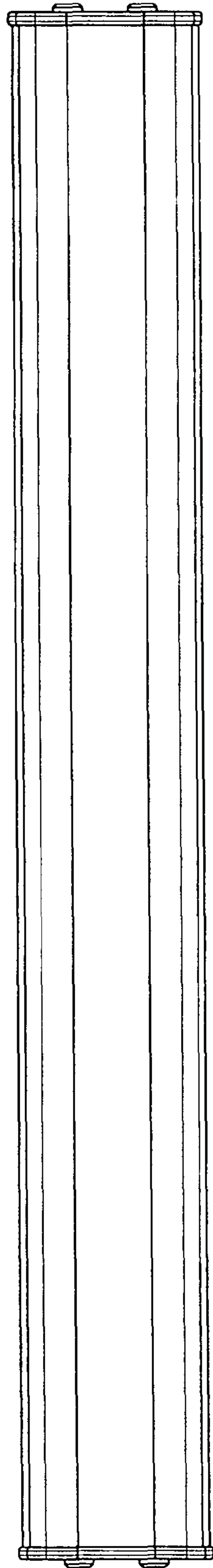


FIG. 7