



US00D693513S

(12) **United States Design Patent**
Nibaldi

(10) **Patent No.:** **US D693,513 S**

(45) **Date of Patent:** **** Nov. 12, 2013**

(54) **LIGHTING DEVICE**

(71) Applicant: **ENEL SOLE S.r.l.**, Rome (IT)

(72) Inventor: **Franco Nibaldi**, Recanati (IT)

(73) Assignee: **ENEL SOLE S.r.l.**, Rome (IT)

(**) Term: **14 Years**

(21) Appl. No.: **29/437,593**

(22) Filed: **Nov. 19, 2012**

(30) **Foreign Application Priority Data**

May 22, 2012 (EM) 002045005

(51) **LOC (9) Cl.** **26-05**

(52) **U.S. Cl.**
USPC **D26/71**

(58) **Field of Classification Search**
USPC D26/67-72, 85, 92; 362/145, 183, 231,
362/240, 249.02, 249.03, 249.04, 249.06,
362/249.16, 373, 311.02, 697, 547, 431,
362/432

See application file for complete search history.

(56) **References Cited**

U.S. PATENT DOCUMENTS

D178,901 S * 10/1956 Pettengill et al. D26/71
D186,786 S * 12/1959 Pettengill et al. D26/71
D609,383 S * 2/2010 Chang D26/71
D615,234 S * 5/2010 Oblak D26/71

D634,873 S * 3/2011 Guercio D26/71
D641,094 S * 7/2011 Chang D26/71
D652,557 S * 1/2012 Boissevain et al. D26/71
D652,978 S * 1/2012 Boissevain et al. D26/71
D660,496 S * 5/2012 Akdag et al. D26/71
D663,462 S * 7/2012 Butler et al. D26/71
D665,940 S * 8/2012 Lane et al. D26/71
D668,370 S * 10/2012 Guercio et al. D26/71
D672,492 S * 12/2012 Butler et al. D26/71
D673,318 S * 12/2012 Lane et al. D26/71
D674,950 S * 1/2013 Lueken et al. D26/71
D676,174 S * 2/2013 Akinrele et al. D26/71
D676,175 S * 2/2013 Akinrele et al. D26/71
D676,176 S * 2/2013 Akinrele et al. D26/71
D681,250 S * 4/2013 Ruffalo et al. D26/71
D683,878 S * 6/2013 Ruffalo et al. D26/71

* cited by examiner

Primary Examiner — Clare E Heflin

(74) *Attorney, Agent, or Firm* — Kilyk & Bowersox,
P.L.L.C.

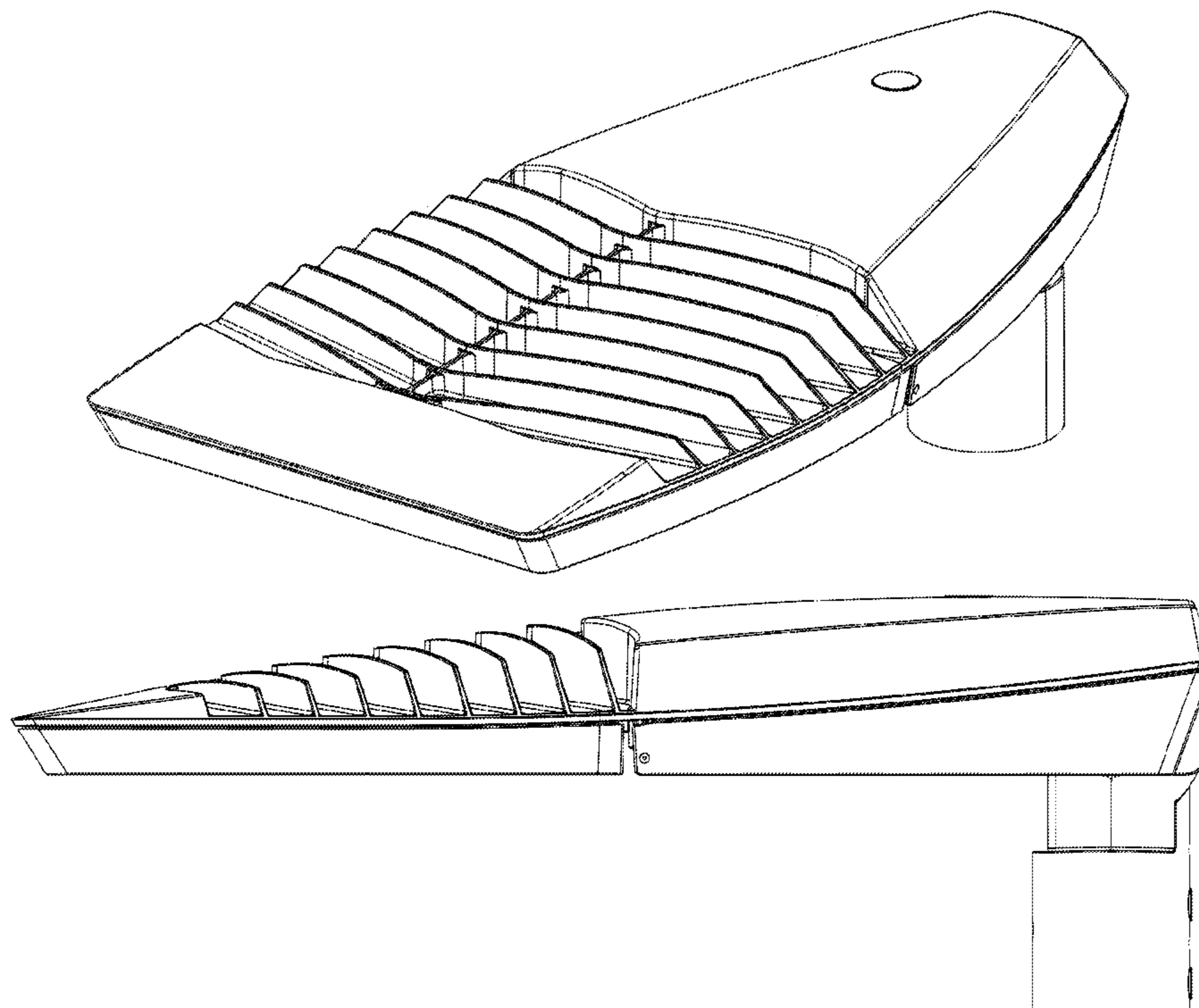
(57) **CLAIM**

The ornamental design for a lighting device, as shown and described.

DESCRIPTION

FIG. 1 is a front perspective view, showing my new design;
FIG. 2 is a top view thereof;
FIG. 3 is a rear view thereof;
FIG. 4 is a bottom view thereof;
FIG. 5 is a front view thereof;
FIG. 6 is a right side view thereof; and,
FIG. 7 is a left side view thereof.

1 Claim, 7 Drawing Sheets



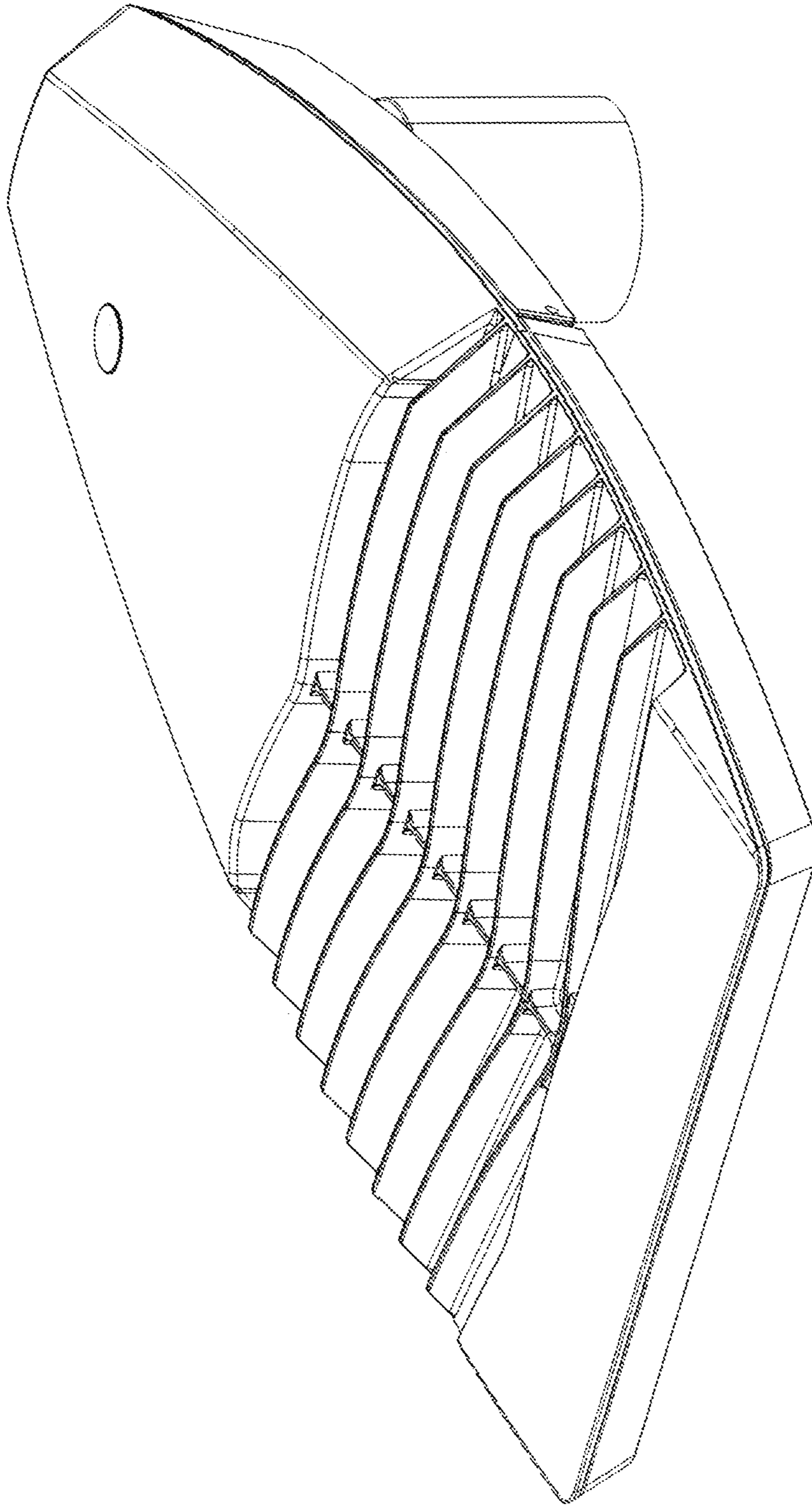


FIG. 1

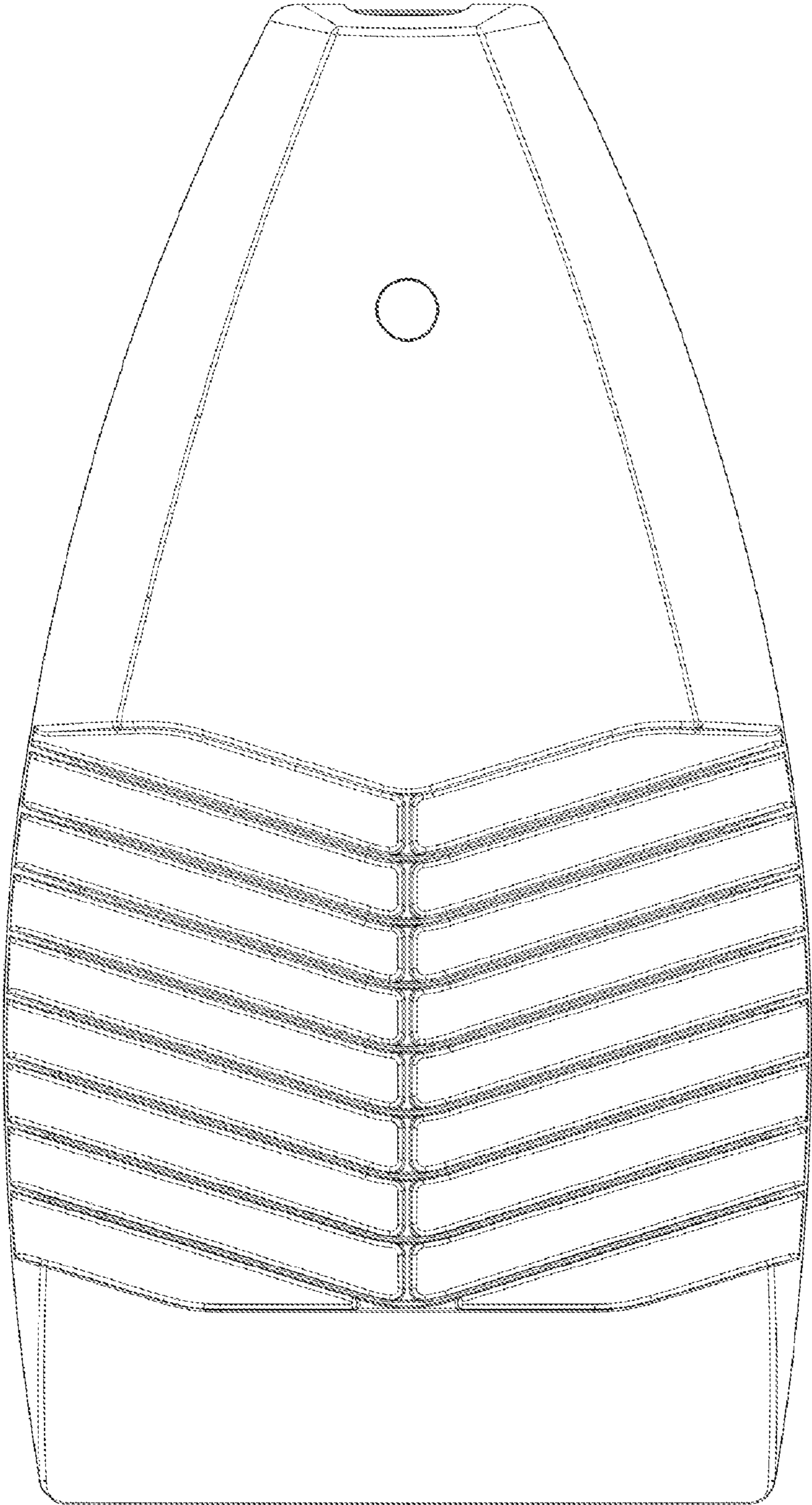


FIG. 2

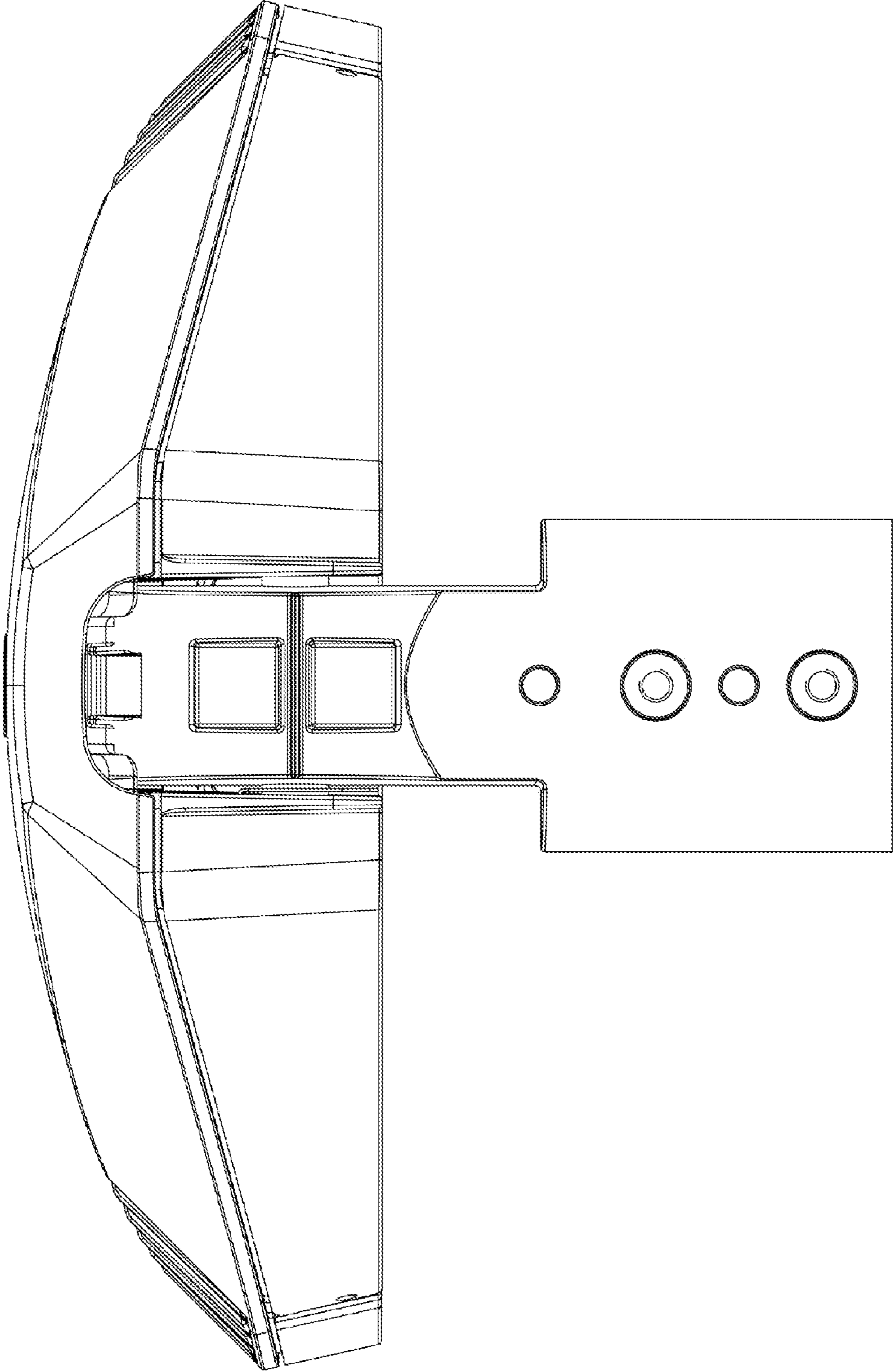


FIG. 3

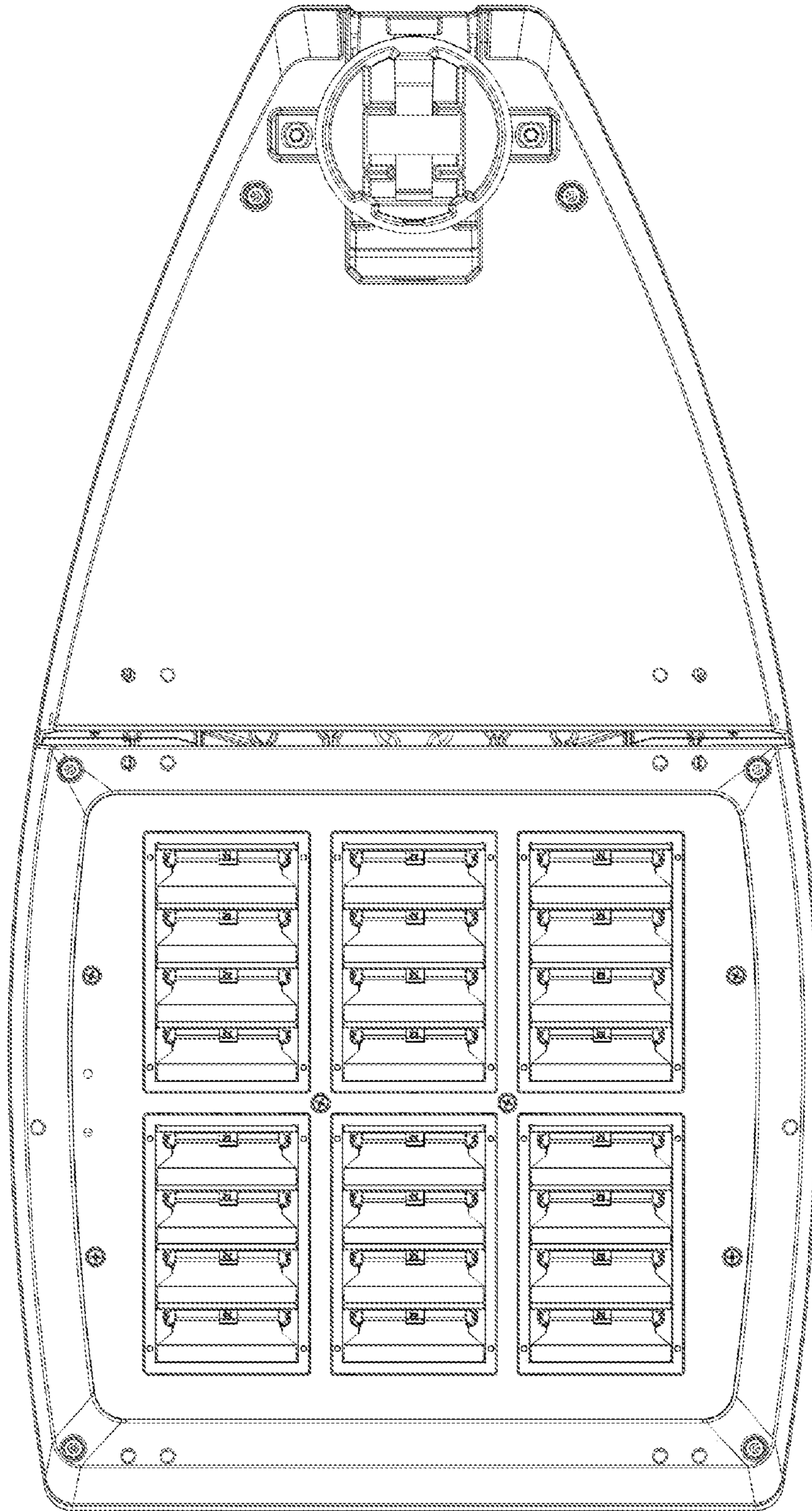


FIG. 4

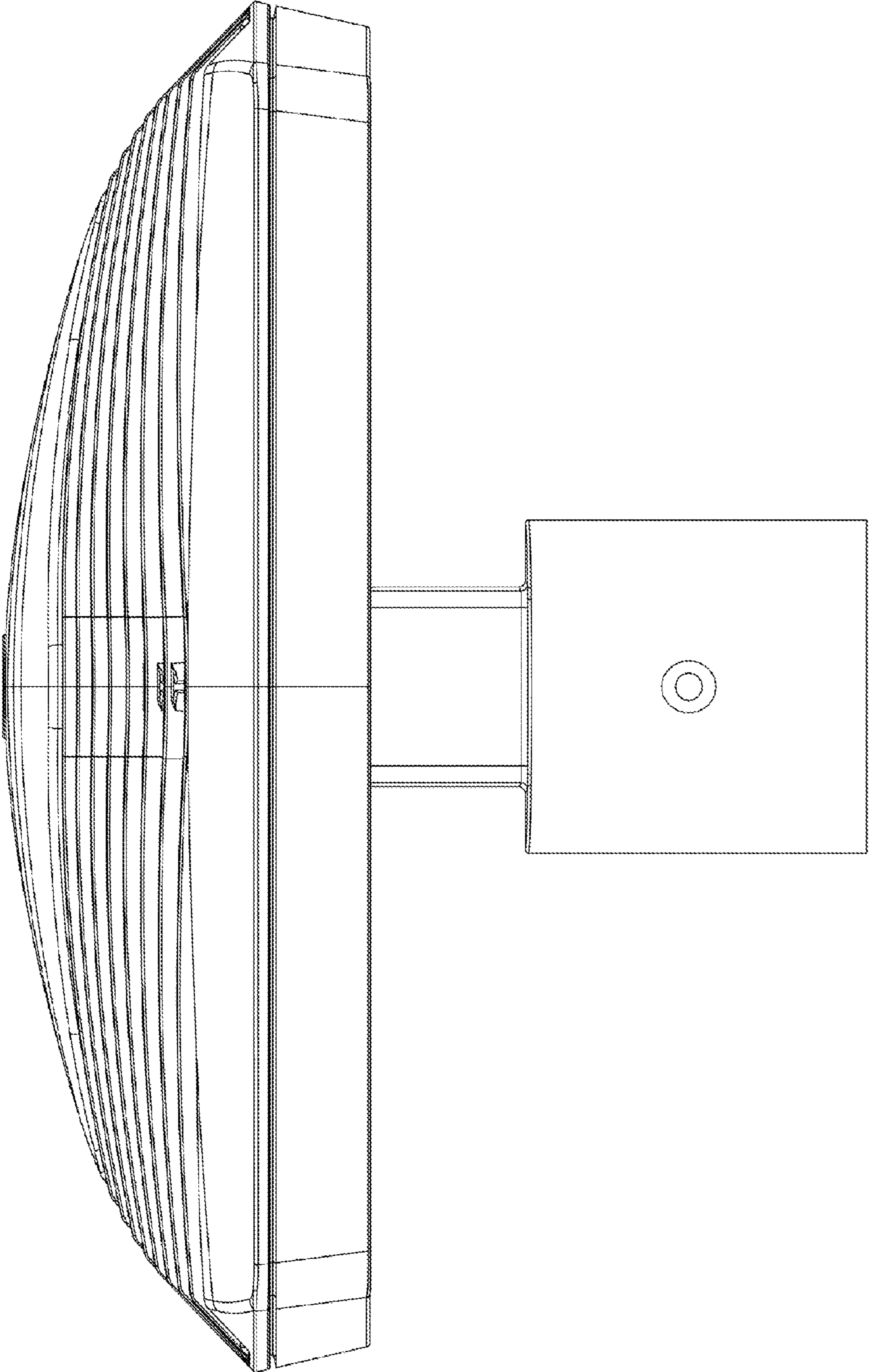


FIG. 5

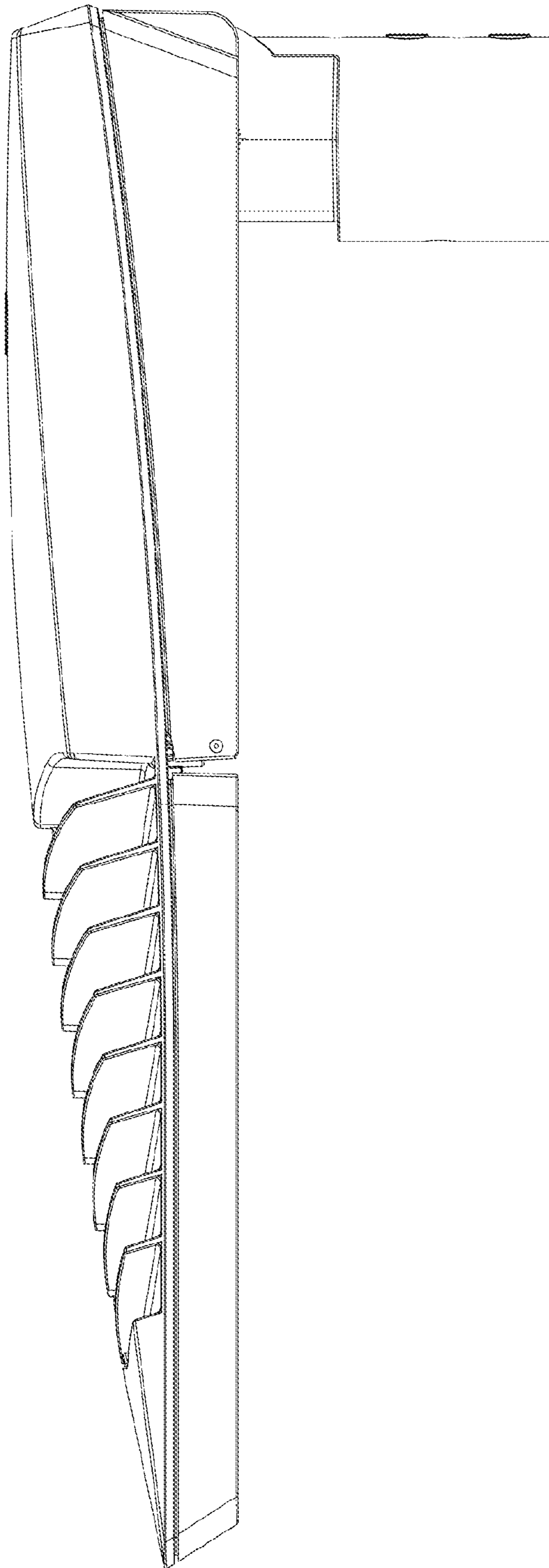


FIG. 6

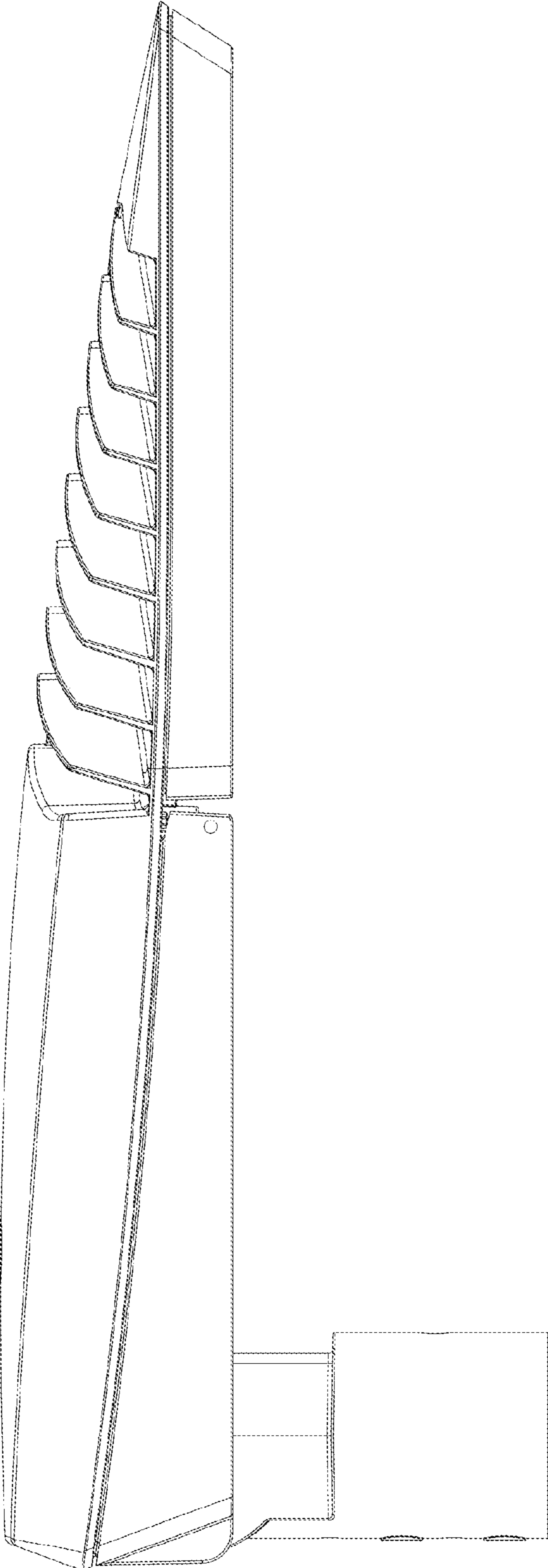


FIG. 7