



US00D693511S

(12) **United States Design Patent**
Larsen et al.

(10) **Patent No.:** **US D693,511 S**
(45) **Date of Patent:** **** Nov. 12, 2013**

(54) **LUMINAIRE WITH CURVED LENS**

(75) Inventors: **Bradley B. Larsen**, Seattle, WA (US);
John O. Renn, Lake Forest Park, WA (US)

(73) Assignee: **Express Imaging Systems, LLC**,
Seattle, WA (US)

(**) Term: **14 Years**

(21) Appl. No.: **29/422,694**

(22) Filed: **May 23, 2012**

(51) **LOC (9) Cl.** **26-05**

(52) **U.S. Cl.**
USPC **D26/71**

(58) **Field of Classification Search**
USPC D26/67-71, 92; 362/249.01-249.06,
362/294, 373, 431
See application file for complete search history.

(56) **References Cited**

U.S. PATENT DOCUMENTS

D313,483 S *	1/1991	Blake	D26/71
D456,926 S *	5/2002	Gaskins et al.	D26/71
D578,697 S *	10/2008	Zheng et al.	D26/71
D578,698 S *	10/2008	Zheng	D26/71
D622,433 S *	8/2010	Waters	D26/71

D634,465 S *	3/2011	Siefker et al.	D26/71
D634,874 S *	3/2011	Yamada et al.	D26/71
D636,518 S *	4/2011	Nevins	D26/71
D648,884 S *	11/2011	Tortel	D26/71
D665,940 S *	8/2012	Lane et al.	D26/71
D666,351 S *	8/2012	Tsao	D26/92
D673,318 S *	12/2012	Lane et al.	D26/71
D678,579 S *	3/2013	Lee et al.	D26/71

* cited by examiner

Primary Examiner — Clare E Heflin

(74) *Attorney, Agent, or Firm* — Seed IP Law Group PLLC

(57) **CLAIM**

The ornamental design for a luminaire with curved lens, as shown and described.

DESCRIPTION

FIG. 1 is a perspective view of a luminaire with curved lens showing our new design.

FIG. 2 is a front elevation view thereof.

FIG. 3 is a rear elevation view thereof.

FIG. 4 is a left side elevation view thereof.

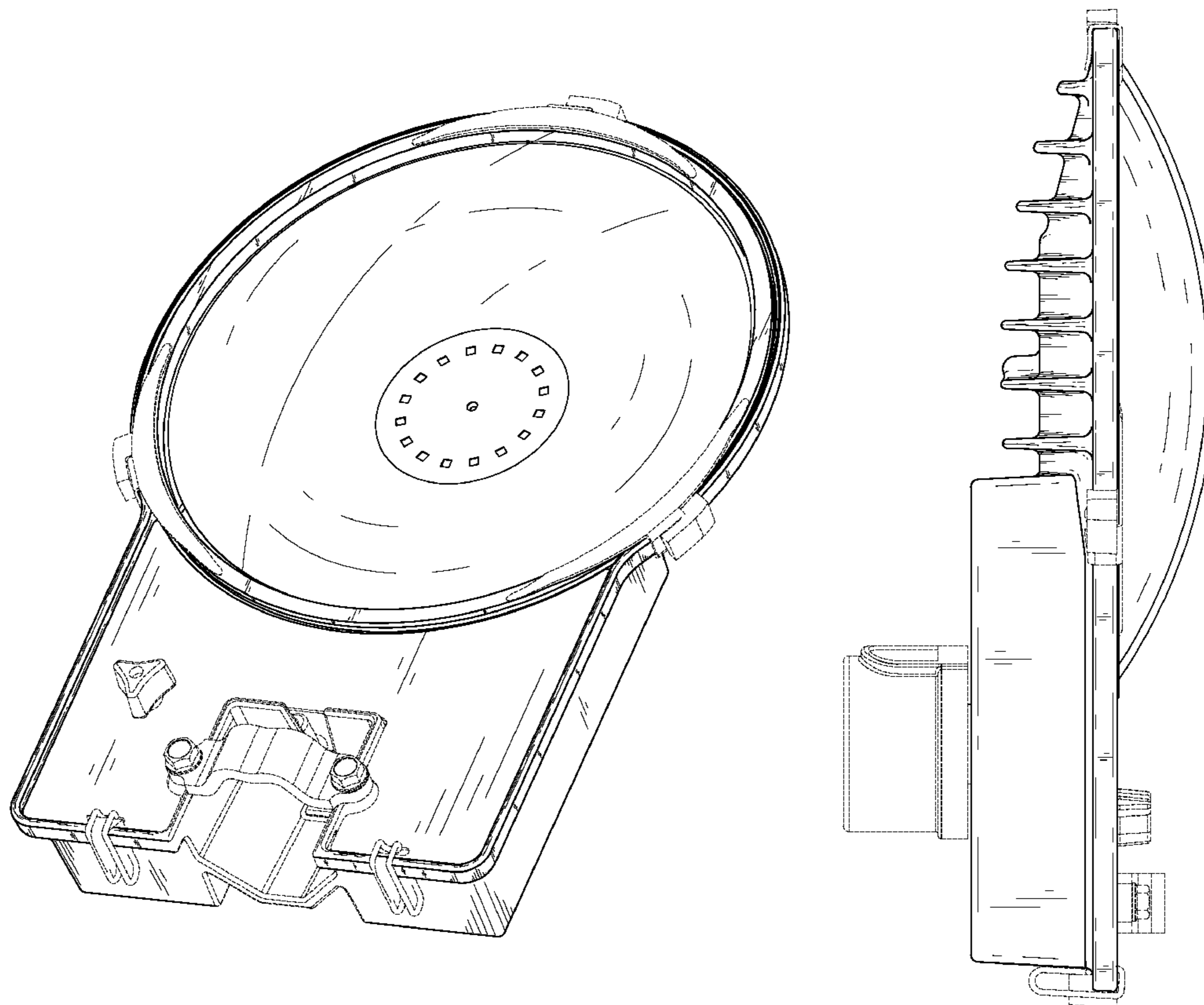
FIG. 5 is a right side elevation view thereof.

FIG. 6 is a top plan view thereof; and,

FIG. 7 is a bottom plan view thereof.

The broken lines shown on the drawings depict portions of the luminaire that form no part of the claimed design.

1 Claim, 7 Drawing Sheets



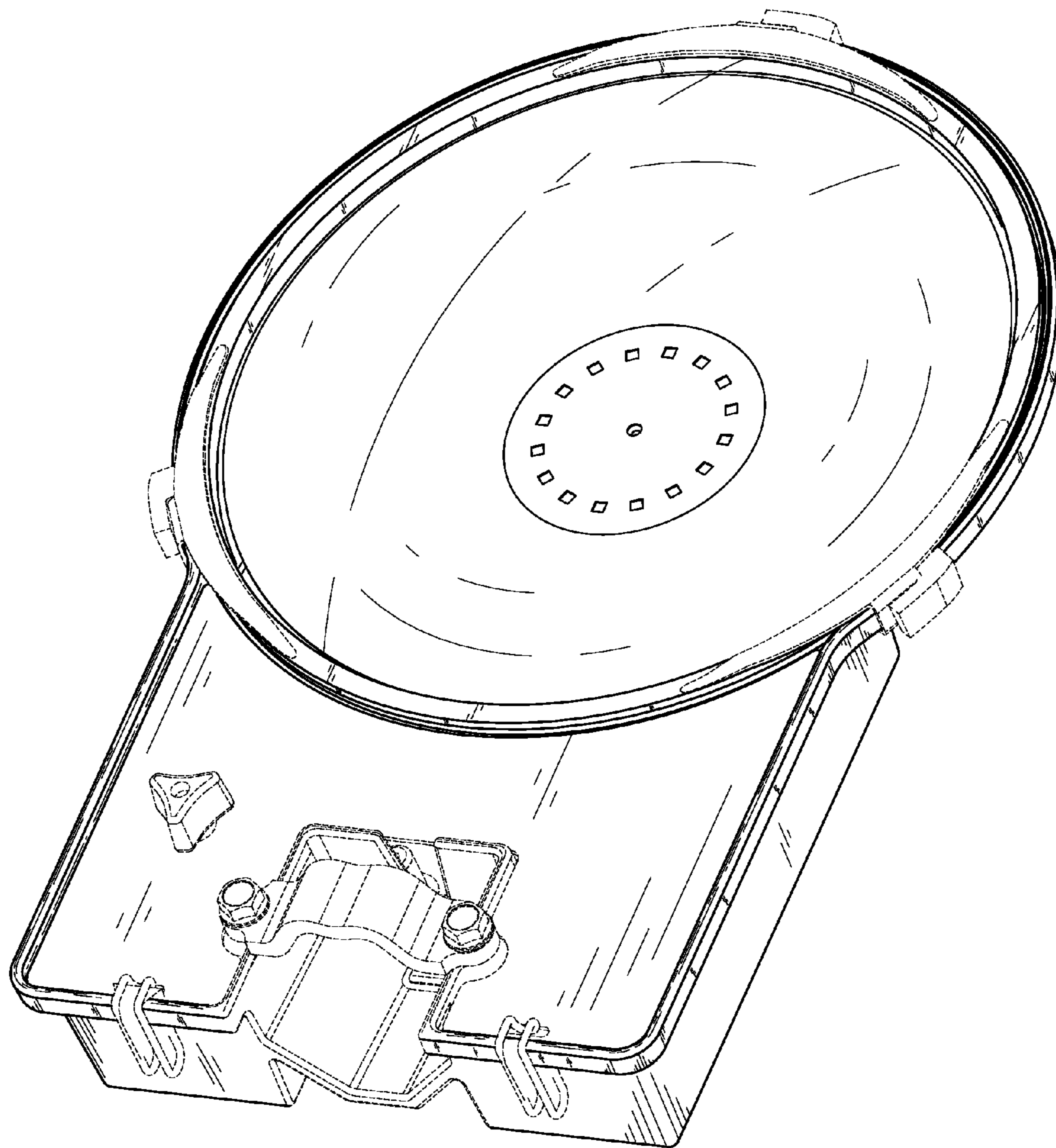


FIG. 1

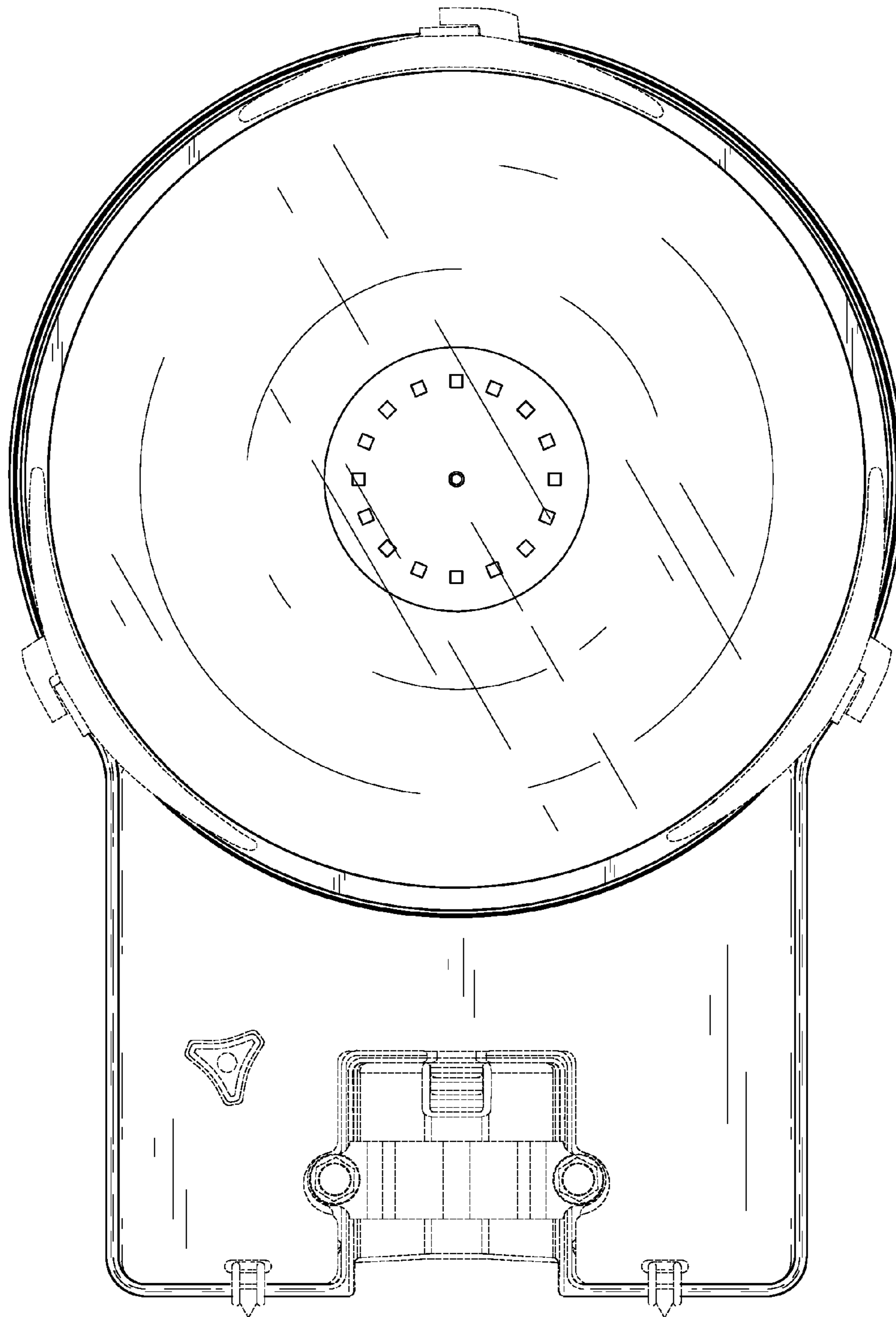


FIG. 2

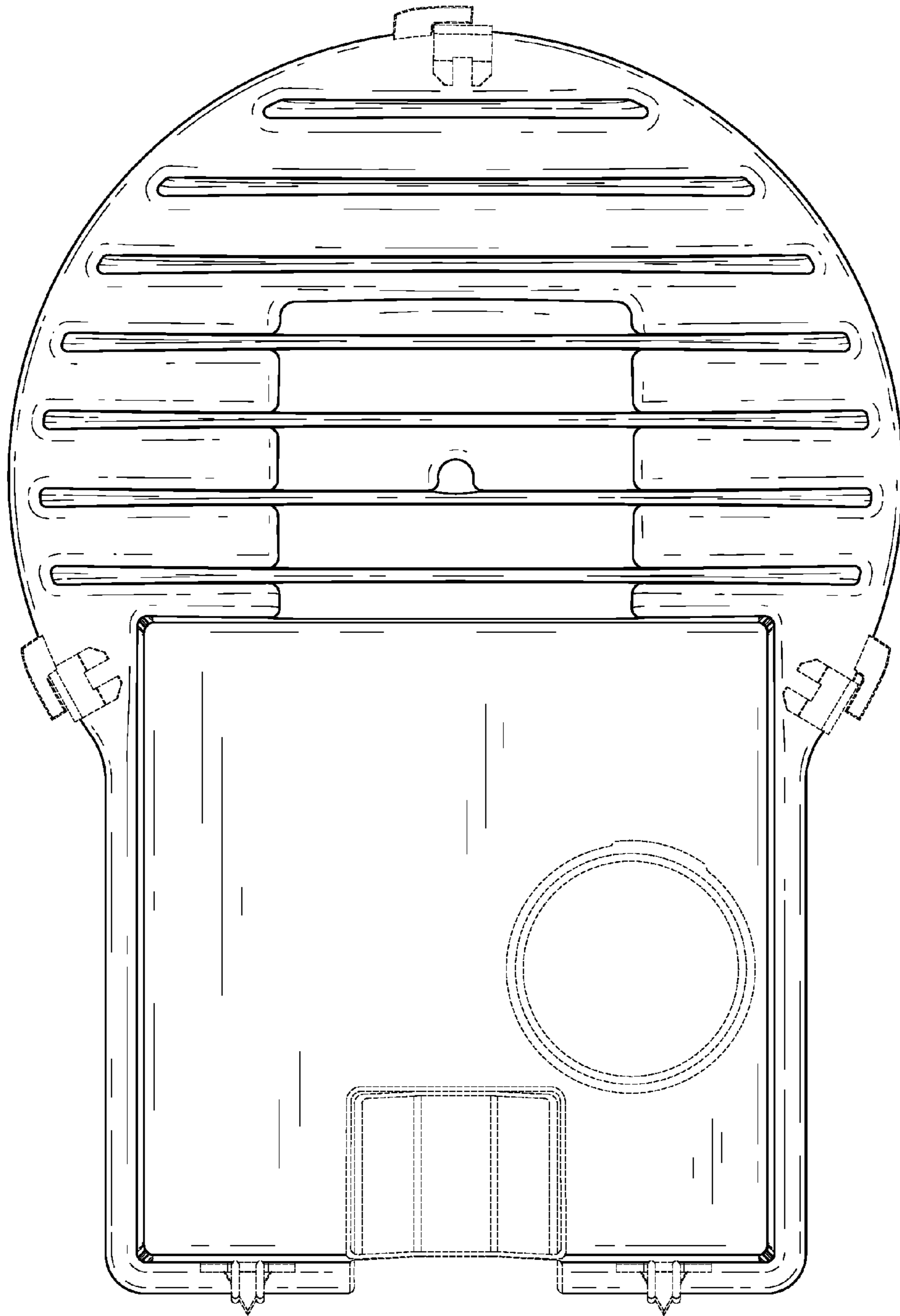


FIG. 3

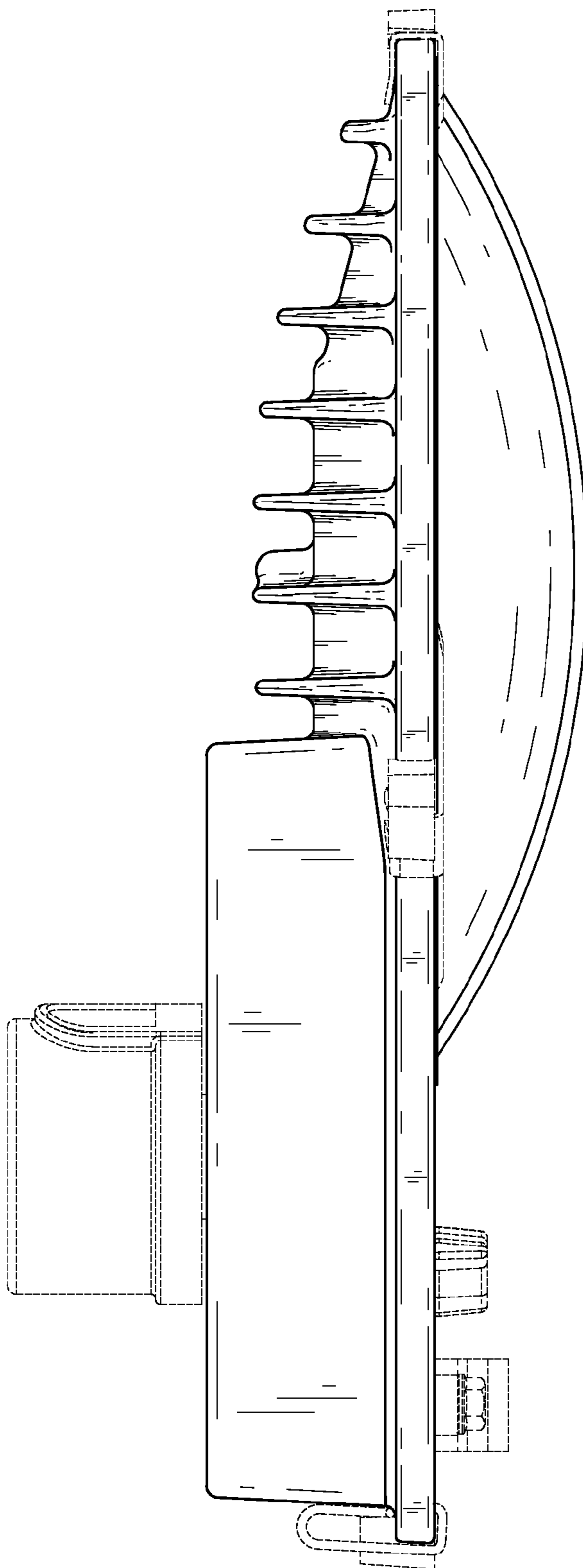


FIG. 4

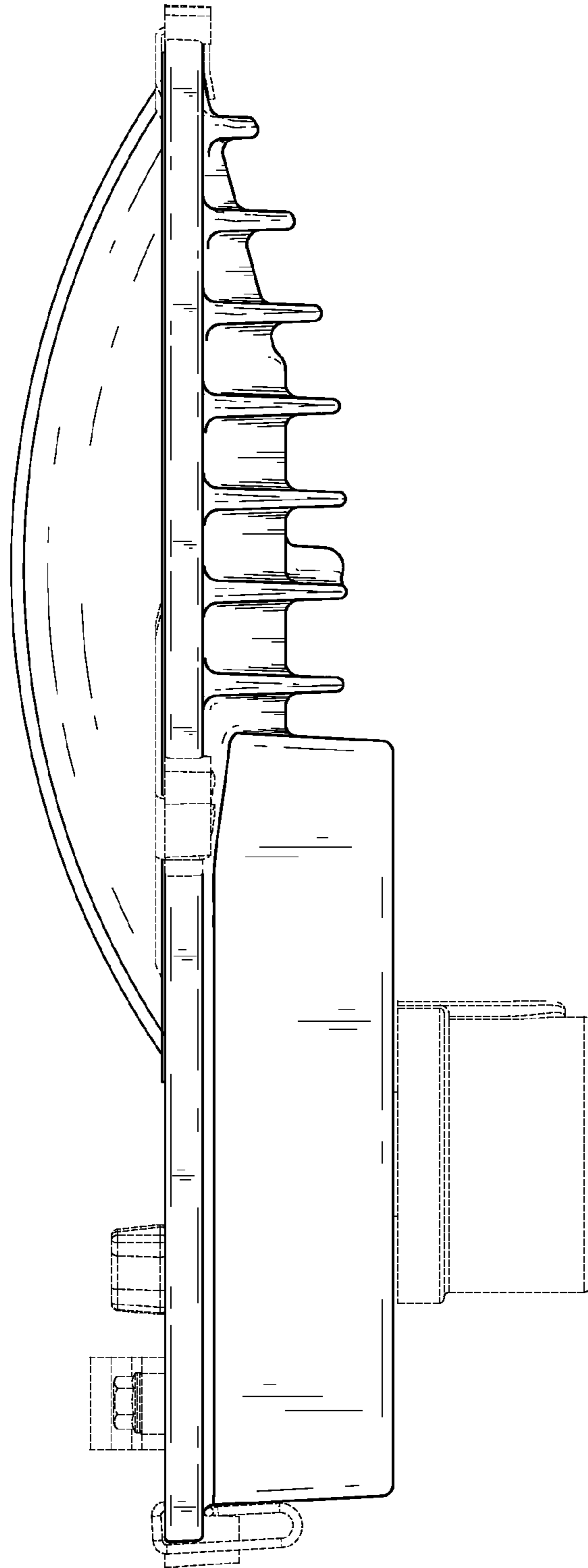


FIG. 5

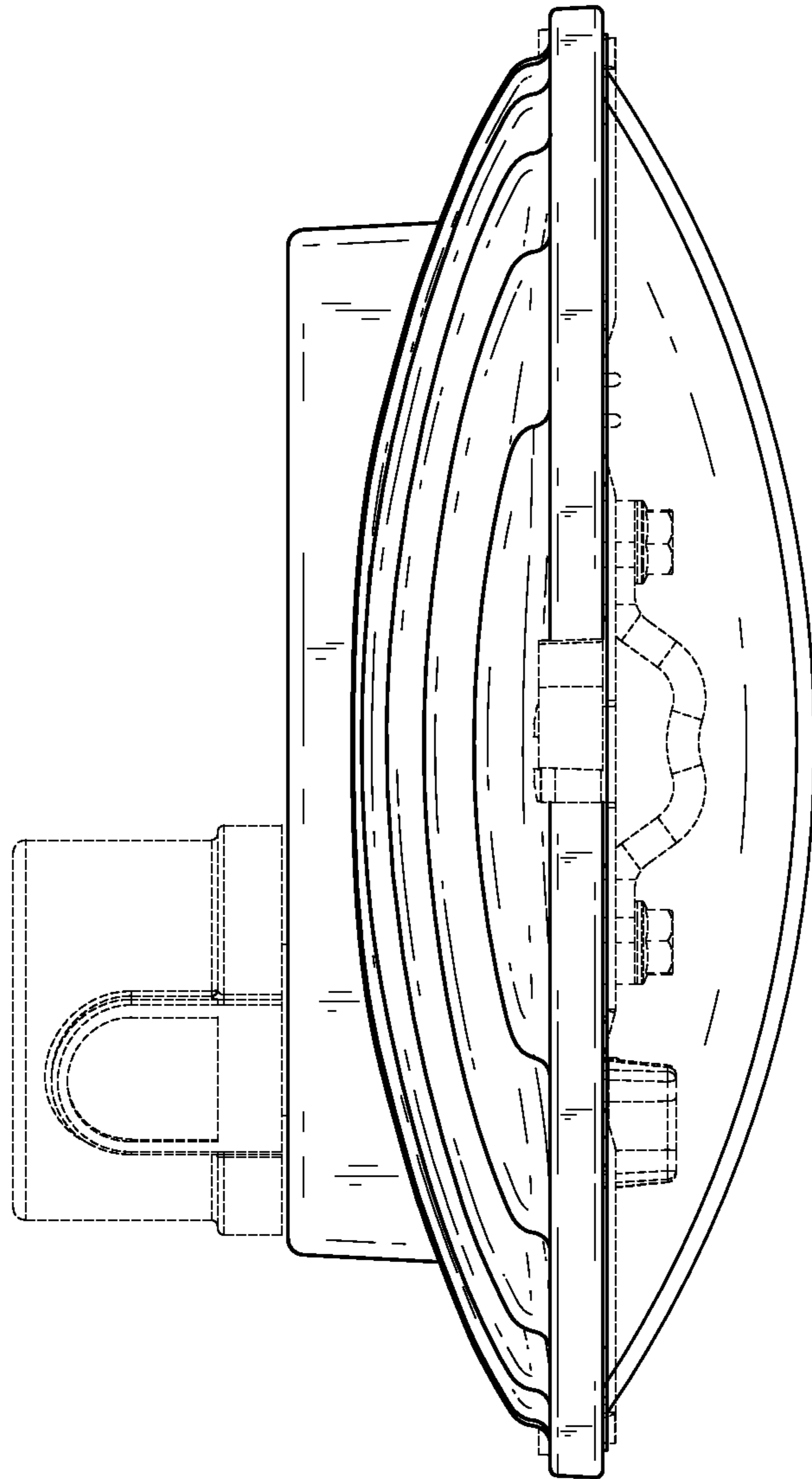


FIG. 6

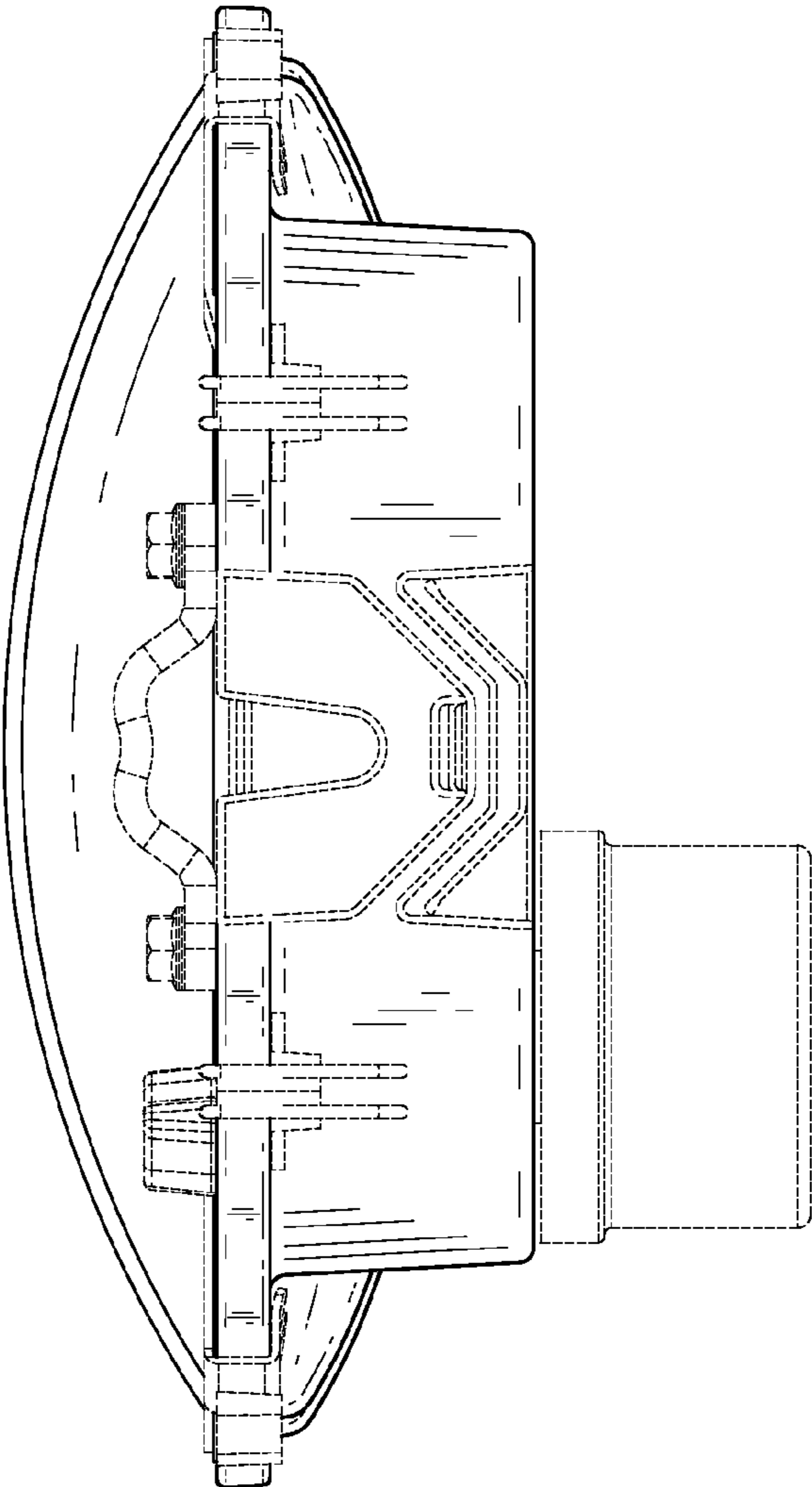


FIG. 7